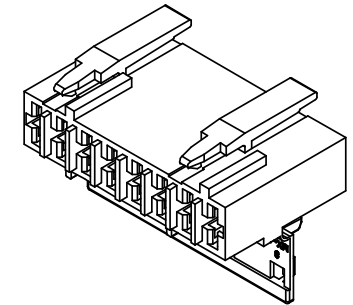
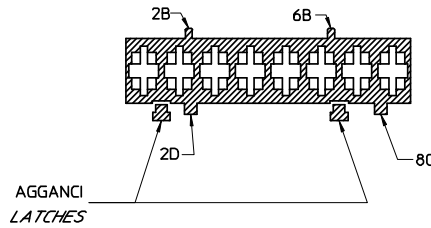


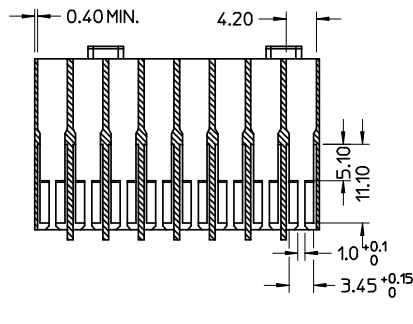
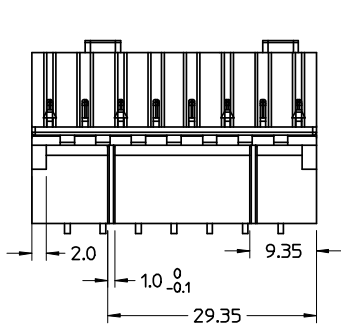
Dettaglio1
SCALA 5:1

CONFIGURAZIONE POLARIZZAZIONI
POLARIZATION CONFIGURATION

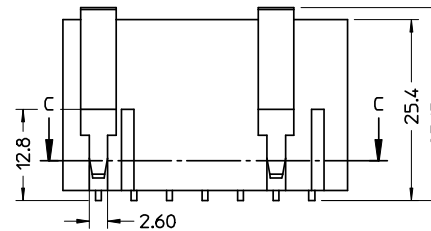
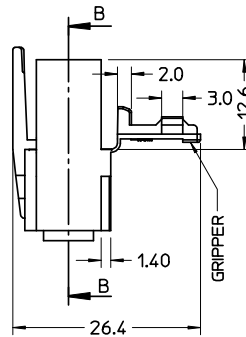


- NOTE:
- USATO CON TERMINALE 94518-0XXX E 94549-0XXX
 - SPECIFICA DI RIFERIMENTO PER IL CONNETTORE PS-94550-001
 - PER CARATTERISTICHE DI CRIMPATURA RIF. SD-94518-005 E SD-94549-001
 - FORZA DI DISACCOPIAMENTO CONNETTORE (TRAZIONANDO DAI CAVI SENZA AZIONARE L'AGGANCI): 60 N MIN.
 - SPESSORE MINIMO PARETI CONNETTORE 0.40 mm.

- NOTE:
- USED WITH TERMINALS 94518-0XXX AND 94549-0XXX
 - REFER TO PS-94550-001 FOR CONNECTOR SPECIFICATION
 - REFER TO SD-94518-005 FOR AND SD-94549-001 CRIMPING CHARACTERISTICS
 - CONNECTOR DISENGAGEMENT FORCE (PULLING BY THE WIRES, WITHOUT ACTUATING THE LATCH): 60 N MIN.
 - MINIMUM CONNECTOR WALL THICKNESS 0.40 mm.



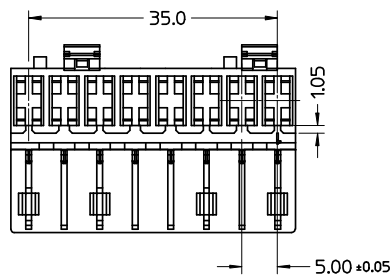
SEZ: B-B



AGENCY
RECOGNIZATIONS
CSA (file LR19980)
UL (file E-29179)

| P/N | MATERIAL/COLOR |
|------------|----------------------|
| 94550-9108 | NYLON 6.6 VO NATURAL |
| 94550-9198 | NYLON 6.6 VO GREY |

CONFEZIONE: Box da 1200 Pz.
PACKAGING: 1200 pcs in carton box



SPQ =1200

Std. Descr: 'HSG W/SEC LOCK AND LATCHES 8CKT _____ COLOR'

| EC NO: Z2004-0206 DRWN:FGOTTARD004/05/12 CHKD:RSANDAN004/05/12 APPR:GZUIN 2004/05/13 | QUALITY SYMBOLS | GENERAL TOLERANCES (UNLESS SPECIFIED) | SCALE 2:1 | DESIGN UNITS METRIC | FIRST ANGLE PROJECTION | REVISE ON CAD ONLY | | | | | | | | | | | | | | | | | | | | | | | | | | | | | | |
|---|-----------------|--|-----------|---------------------|------------------------|--------------------|-------|-------|----------|-------|-------|----------|--------|-------|---------|-------|-------|--|-----------------|--|----|------|----------|------|----------|------------|------------|------|----------|------------|-------------|------|-------|------------|--|--|
| | 0 0 | <table border="1"> <thead> <tr> <th></th> <th>mm</th> <th>INCH</th> </tr> </thead> <tbody> <tr> <td>4 PLACES</td> <td>± ---</td> <td>± ---</td> </tr> <tr> <td>3 PLACES</td> <td>± ---</td> <td>± ---</td> </tr> <tr> <td>2 PLACES</td> <td>± 0.10</td> <td>± ---</td> </tr> <tr> <td>1 PLACE</td> <td>± 0.2</td> <td>± ---</td> </tr> </tbody> </table> | | mm | INCH | 4 PLACES | ± --- | ± --- | 3 PLACES | ± --- | ± --- | 2 PLACES | ± 0.10 | ± --- | 1 PLACE | ± 0.2 | ± --- | <table border="1"> <thead> <tr> <th colspan="2">DIMENSION STYLE</th> </tr> <tr> <th>mm</th> <th>ONLY</th> </tr> </thead> <tbody> <tr> <td>DRAWN BY</td> <td>DATE</td> </tr> <tr> <td>FGOTTARD</td> <td>2002/07/24</td> </tr> <tr> <td>CHECKED BY</td> <td>DATE</td> </tr> <tr> <td>MTESTAGU</td> <td>2002/07/24</td> </tr> <tr> <td>APPROVED BY</td> <td>DATE</td> </tr> <tr> <td>GZUIN</td> <td>2002/07/24</td> </tr> </tbody> </table> | DIMENSION STYLE | | mm | ONLY | DRAWN BY | DATE | FGOTTARD | 2002/07/24 | CHECKED BY | DATE | MTESTAGU | 2002/07/24 | APPROVED BY | DATE | GZUIN | 2002/07/24 | TITLE HSG 8 CKT WITH SEC.LOCK AND EXTERNAL LATCH | |
| | | | mm | INCH | | | | | | | | | | | | | | | | | | | | | | | | | | | | | | | | |
| | | 4 PLACES | ± --- | ± --- | | | | | | | | | | | | | | | | | | | | | | | | | | | | | | | | |
| 3 PLACES | ± --- | ± --- | | | | | | | | | | | | | | | | | | | | | | | | | | | | | | | | | | |
| 2 PLACES | ± 0.10 | ± --- | | | | | | | | | | | | | | | | | | | | | | | | | | | | | | | | | | |
| 1 PLACE | ± 0.2 | ± --- | | | | | | | | | | | | | | | | | | | | | | | | | | | | | | | | | | |
| DIMENSION STYLE | | | | | | | | | | | | | | | | | | | | | | | | | | | | | | | | | | | | |
| mm | ONLY | | | | | | | | | | | | | | | | | | | | | | | | | | | | | | | | | | | |
| DRAWN BY | DATE | | | | | | | | | | | | | | | | | | | | | | | | | | | | | | | | | | | |
| FGOTTARD | 2002/07/24 | | | | | | | | | | | | | | | | | | | | | | | | | | | | | | | | | | | |
| CHECKED BY | DATE | | | | | | | | | | | | | | | | | | | | | | | | | | | | | | | | | | | |
| MTESTAGU | 2002/07/24 | | | | | | | | | | | | | | | | | | | | | | | | | | | | | | | | | | | |
| APPROVED BY | DATE | | | | | | | | | | | | | | | | | | | | | | | | | | | | | | | | | | | |
| GZUIN | 2002/07/24 | | | | | | | | | | | | | | | | | | | | | | | | | | | | | | | | | | | |
| DRAFT WHERE APPLICABLE MUST REMAIN WITHIN DIMENSIONS | ANGULAR ± 2 ° | MOLEX INCORPORATED MATERIAL NO. SEE TABLE DOCUMENT NO. SD-94550-009 SHEET NO. 1 OF 1 | | | | | | | | | | | | | | | | | | | | | | | | | | | | | | | | | | |