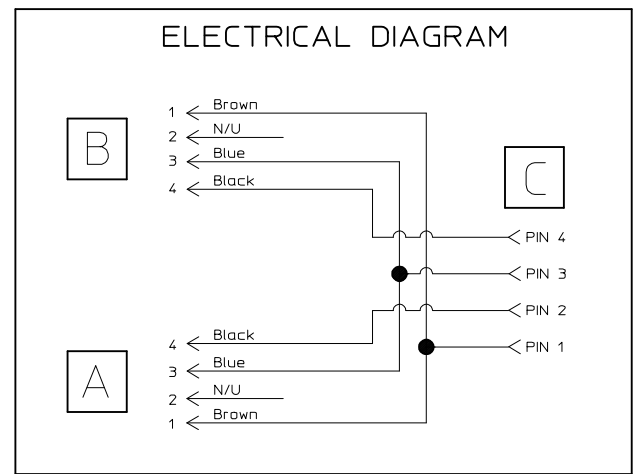


**Cable data sheet**  
 Conductors:  
 Material: Bare Copper  
 Insulation Compound: PVC  
 Section: 3x0.34mm<sup>2</sup>  
 Stranding: 42x0.1 mm  
 Jacket:  
 Compound: Outer PUR / Inner PVC  
 Color: Black  
 Diameter: 5,3 +0.3/-0.1mm  
 Temperature range (static): -30/+80°C  
 Temperature range (dynamic): -5/+80°C



**Bill of Materials**

14	1	LABEL YELLOW	VINYL	-
13	2	INSERT 3 POLE MALE M12	PUR	-
12	6	CONTACT MALE	BRASS	SELECTIVE GOLD OVER NICKEL
11	2	COUPLING NUT MALE	BRASS	NICKEL PLATED
10	1	CENTRE SPACER-I.L.S.-YELLOW	PVC	-
9	-	MOLDING MATERIAL YELLOW	PVC	-
8	2	I/D CARRIER TRANSPARENT	PVC	-
7	2	LABEL MARKER	-	-
6	-	MOLDING MATERIAL BLACK	TPU	-
5	1	COUPLING NUT FEMALE	BRASS	NICKEL PLATED
4	1	INSERT 4 POLE FEMALE M12	PUR	-
3	4	CONTACT FEMALE	BRASS	SELECTIVE GOLD OVER NICKEL
2	1	O-RING RED	FPM	-
1	-	CABLE 3x0.34mm <sup>2</sup> BLACK OD=5.3mm	PUR/PVC	-
ITEM	QTY.	DESCRIPTION	MATERIAL	FINISH

**Notes:**

1. Dimensions without tolerance are referential.

Engineering No.: 1200688210

ORIGINAL RELEASE EC NO: IPG2015-2046 DRW: AKONDRACIUK 2015/07/07 CHKD: APAWLAK01 2015/07/07 APPR: MIWASIECZKO 2015/08/06	QUALITY SYMBOLS ▽=0 ◻=0	GENERAL TOLERANCES (UNLESS SPECIFIED)		DIMENSION STYLE MM ONLY		SCALE ---	DESIGN UNITS METRIC	THIRD ANGLE PROJECTION		
				DRAWN BY AKONDRACIUK	DATE 2015/07/07	TITLE SPL M12 4P AC MA STR PUR FE STR 0.5M				
				CHECKED BY APAWLAK01	DATE 2015/07/07	MATERIAL NO. 1200688210				
				APPROVED BY MIWASIECZKO	DATE 2015/08/06	DOCUMENT NO. SD-120068-003				
		ANGULAR ± 1 °		DRAFT WHERE APPLICABLE MUST REMAIN WITHIN DIMENSIONS		SIZE A3		SHEET NO. 1 OF 1		
THIS DRAWING CONTAINS INFORMATION THAT IS PROPRIETARY TO MOLEX INCORPORATED AND SHOULD NOT BE USED WITHOUT WRITTEN PERMISSION										