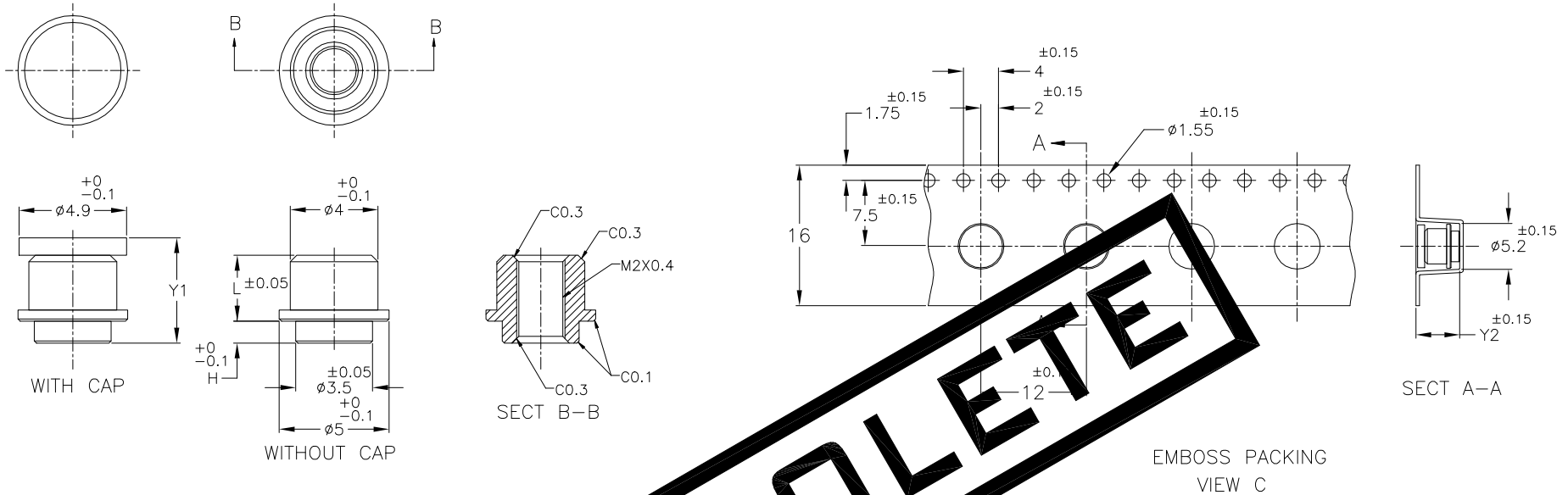


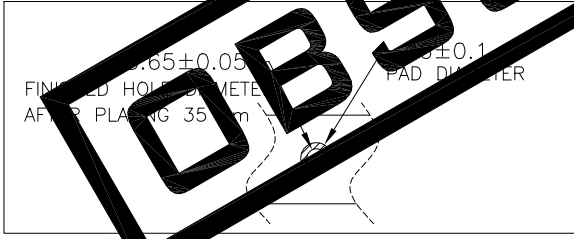
THIS DRAWING IS UNPUBLISHED. RELEASED FOR PUBLICATION SEP ,2003.
 © COPYRIGHT 2003 By - ALL RIGHTS RESERVED.

REVISIONS				
P	LTR	DESCRIPTION	DATE	APVD
C1		REVISED PER ECO-19-015526	11OCT2019	AL HL



OBSOLETE

- ??
1. ???STUD : ??
CAP : 46????
 2. ?? : Ni ?????????????????
 3. ?????????????????
- ⚠ FR-4, t=1.0REF



ⓑ 4 D RECOMMENDED PCB DESIGN

ⓑ	1000	5.8	5.6	0.6	4.2	1717786-5
ⓑ	1200	4.6	4.4	0.6	3.0	1717786-4
Ⓐ	800	9.0	8.8	1	7.0	1717786-2
Ⓐ	1000	5.0	4.8	1	3.0	1717786-1
ⓐ	PACKAGE	Y2	Y1	H	L	P/NO.

- NOTE
1. MATERIAL : STUD : BRASS
CAP : 46 NYLON
 2. FINISH : MATTE TIN PLATING AFTER Ni PLATING.
 3. NO BURR IS ALLOWED AT UNSPECIFIED CORNERS.
- ⚠ FR-4, t=1.0REF

THIS DRAWING IS A CONTROLLED DOCUMENT.

DIMENSIONS: 單位: 耗 MM	TOLERANCES UNLESS OTHERWISE SPECIFIED: 一般公差	DWN H.TAKASU 16SEP03	TE Connectivity Ltd.	
	0 PLC ± 0.3 1 PLC ± 0.3 2 PLC ± 0.1 3 PLC ± 4 PLC ± ANGLES ± 1	CHK K.KODAIRA 16SEP03		
MATERIAL 材料 SEE TABLE	FINISH 仕上	APVD K.KODAIRA 16SEP03	PRODUCT SPEC 製品規格	EMBOSS PACKAGE, MDC-STUD
		APPLICATION SPEC 取付適用規格	SIZE A3	CAGE CODE 00779
		WEIGHT	DRAWING NO 番号 G=1717786	RESTRICTED TO —
		CUSTOMER DRAWING	SCALE 尺度 NTS	SHEET 1 OF 2
				REV C1

THIS DRAWING IS UNPUBLISHED.

RELEASED FOR PUBLICATION

SEP .01 .

© COPYRIGHT 2003 By -

ALL RIGHTS RESERVED.

REVISIONS

変更

P	LTR	DESCRIPTION	DATE	DWN	APVD
-	-	SEE SHEET 1	-	-	-

DIRECTION OFF TOP OF REEL →

WEEDING THE COVER TAPE :
300MIN
(NOT INCLUDE
EMPTY POCKETS)

??????????
300??
??????????

PEELING ANGLE :
??? 165°~180°




OBSOLETE

WITH PRODUCT CHARGE

ea PACKAGE

??
WITHOUT CHARGE

25 HOLES MIN.

THIS DRAWING IS A CONTROLLED DOCUMENT.		DWN H.TAKASU 16SEP2003	 TE Connectivity Ltd.	
DIMENSIONS: 單位：耗 MM		CHK K.KODAIRA 16SEP2003		
TOLERANCES UNLESS OTHERWISE SPECIFIED: 一般公差		APVD K.KODAIRA 16SEP2003	NAME 名称 EMBOSS PACKAGE, MDC-STUD	
0 PLC ± 0.3 1 PLC ± 0.3 2 PLC ± 0.1 3 PLC ± 4 PLC ± ANGLES ± 1		PRODUCT SPEC 製品規格	DRAWING NO 番号 A3 00779 G=1717786	
MATERIAL 材料 SEE TABLE		APPLICATION SPEC 取付適用規格	RESTRICTED TO —	
		WEIGHT	SCALE 尺度 NTS	
		CUSTOMER DRAWING	SHEET 2 OF 2	
			REV C1	