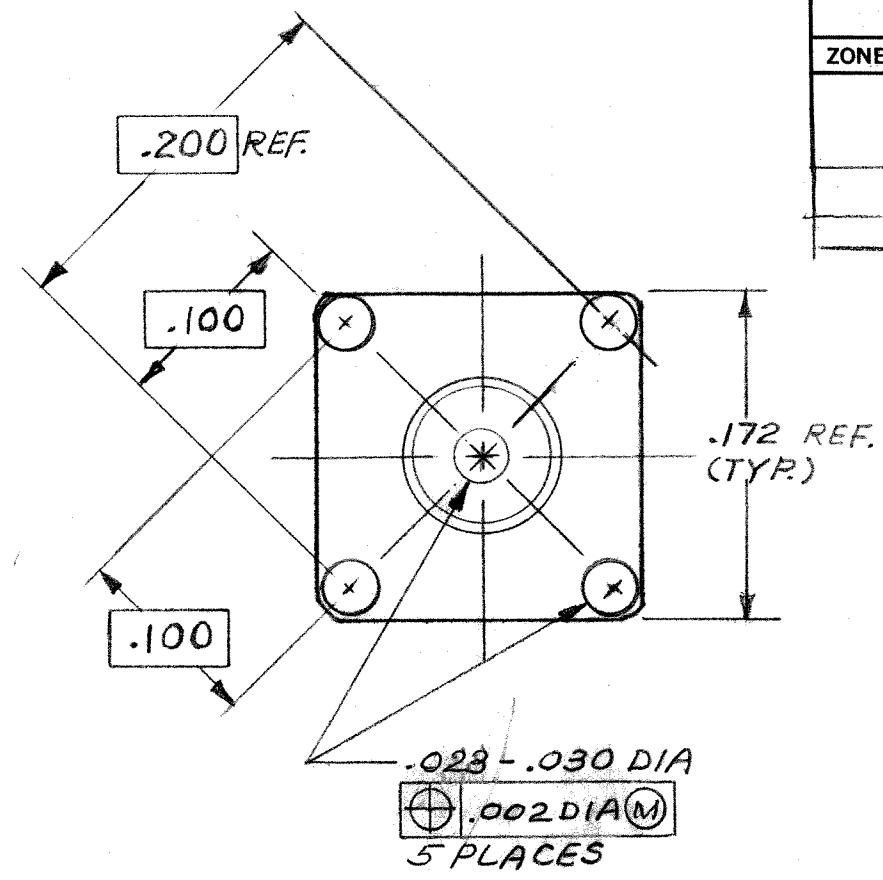
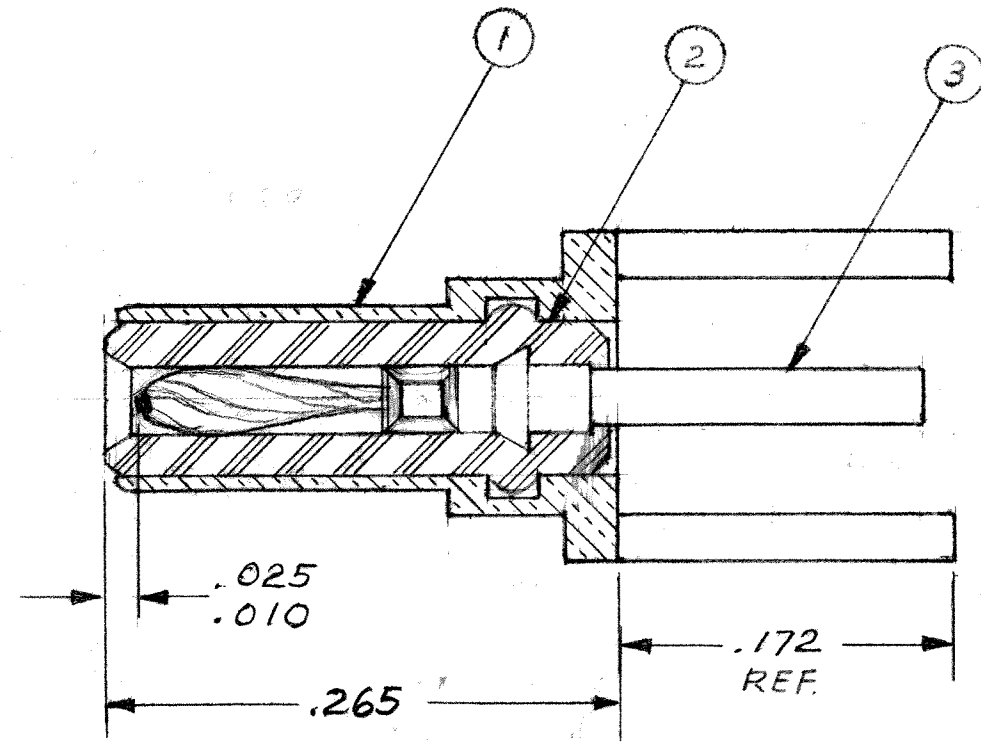


REVISIONS				
ZONE	LTR	DESCRIPTION	DATE	APPROVED
	C	REVISED & REDRAWN PER ECN 24451 EH 6/28/79 ORIGINAL RELEASE 8/18/66 BY D.M. METZ.	8-31-79	<i>hgy</i>
	D	UPDATE REV. LETTER <sup>ECN</sup> 38480	1-19-99	<i>ps</i>
	E	UPDATE REV. LETTER. (ECN 39653)	11/22/99	<i>ps</i>



Tyco Dwg 2-1532006-4  
Micro P/N 141-1004-0001

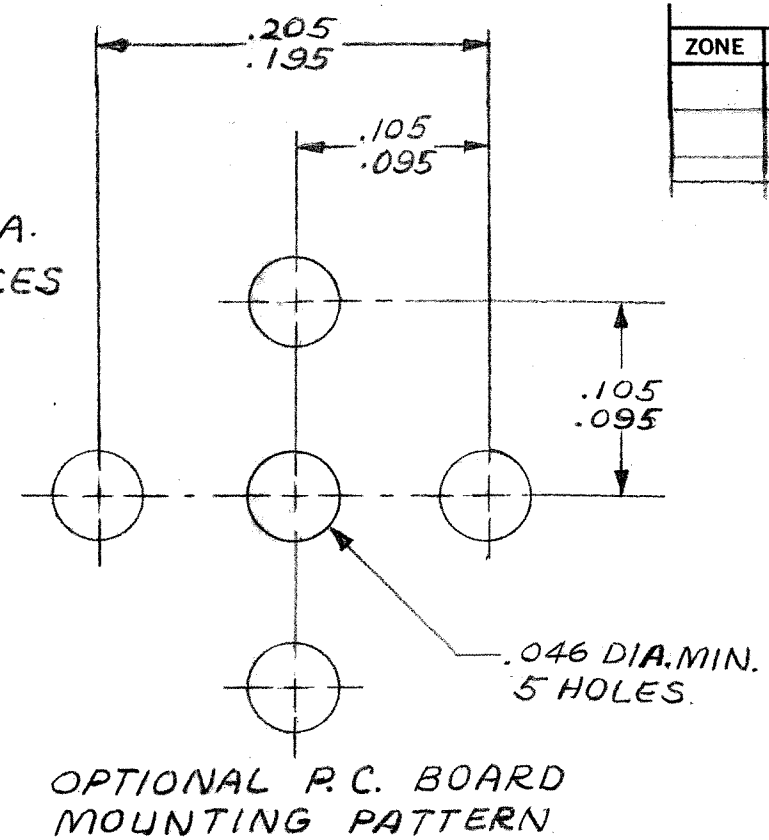
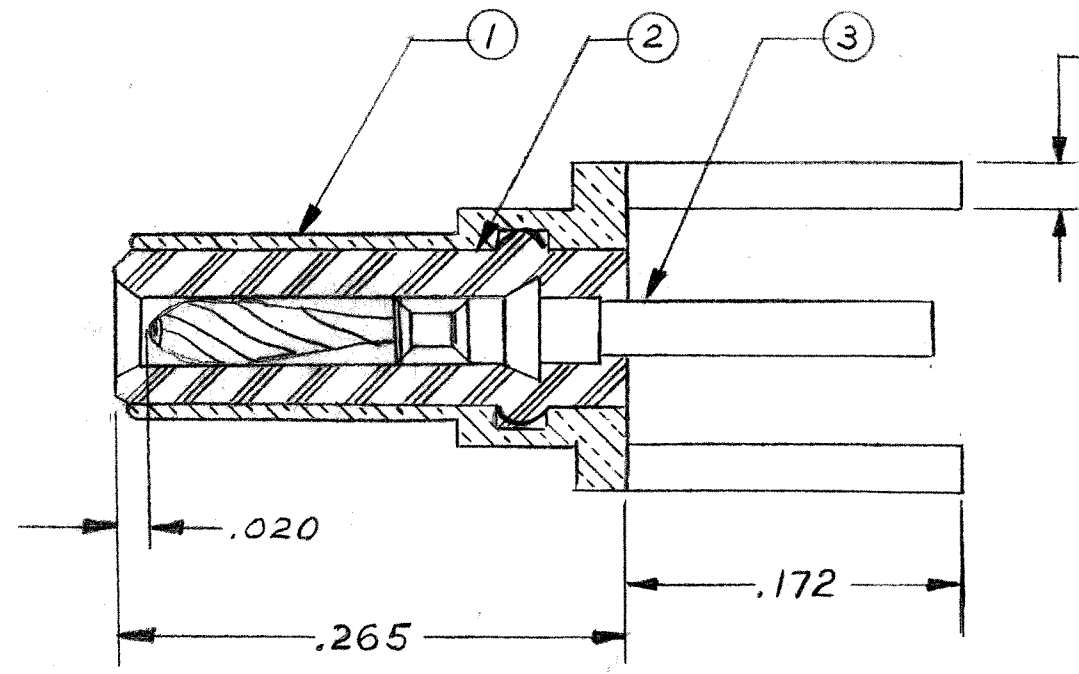
NOTES:  
1. THIS CONNECTOR MATES WITH ALL LEPRA/CON SLIDE-ON SERIES PLUGS.

QTY	PART NO.	DESCRIPTION	MAT'L & SPEC.	ITEM NO.
1	014-0045-0000	CONTACT SLEEVE	O.F.H.C. COPPER OR LEADED COPPER	
1	098-0001-0001	PIN BUNDLE	COPPER ALLOY	
1	096-0525-0006	CONTACT SUB-ASSY		3
1	014-0044-0001	INSULATOR	TEFLON PER L-P-403	2
1	014-0043-0002	HOUSING	BRASS, QQ-B-626	1

PARTS LIST

UNLESS OTHERWISE SPECIFIED DIMENSIONS ARE IN INCHES TOLERANCES ARE: FRACTIONS DECIMALS ANGLES ± .XX ± .XXX ± .010		CONTRACT NO.		<b>MALCO</b> A MICRODOT COMPANY, INC. 220 PASADENA AVE., SO. PASADENA, CALIF. 91030	PROD. CODE <b>946</b> CODE <b>M</b>
MATERIAL <b>NOTED</b>		APPROVALS DRAWN <i>HSU</i>	DATE 6/28/79		
FINISH GOLD PLATE (REF)		CHECKED <i>[Signature]</i>	PR. ENG. <i>[Signature]</i>	RECEPTACLE LEPRA/CON PRINTED CIRCUIT.	
NEXT ASSY		APPROVED <i>[Signature]</i>	DATE 8-31-79	SIZE <b>B</b>	CODE IDENT NO. <b>98278</b>
APPLICATION		DO NOT SCALE DRAWING		DRAWING NO. <b>141-1004-0001</b>	SHEET <b>1</b> OF <b>1</b>

ZONE	LTR	ECN	DESCRIPTION	DATE	APPROVED
	C	24451	EXPANDED TO M & CD FORMAT 5H	8-31-79	[Signature]
	D	38480	UPDATE REV. LETTER	1/19/99	[Signature]
	E	39653	UPDATE REV. LETTER.	11/22/99	[Signature]



- NOTES:
- 1. ALL METAL PARTS ARE GOLD PLATED PER MIL-G-45204 TYPE II, GRADE C, CLASS I.
  - 2. THIS CONNECTOR MATES WITH ALL LEPRA/CON SLIDE-ON SERIES PLUGS.

2-1332006-4

QTY	PART NO	DESCRIPTION	MAT'L & SPEC.	ITEM NO.
1	014-0045-0000	CONTACT SLEEVE	Q.F.H.C. COPPER OR LEADED COPPER	
1	098-0001-0001	PIN BUNDLE	COPPER ALLOY	
1	096-0525-0006	CONTACT SUB-ASSY		3
1	014-0044-0001	INSULATOR	TEFLON PER L-P-403	2
1	014-0043-0002	HOUSING	BRASS, QQ-B-626	1

PARTS LIST

UNLESS OTHERWISE SPECIFIED DIMENSIONS ARE IN INCHES TOLERANCES ARE: FRACTIONS DECIMALS ANGLES ± .XX ± ± .XXX ± .010		CONTRACT NO.		<b>MALCO</b> A MICRODOT COMPANY, INC. 220 PASADENA AVE., SO. PASADENA, CALIF. 91030		RECEPTACLE LEPRA/CON PRINTED CIRCUIT	PROD. CODE 946 CODE CD	
MATERIAL <b>NOTED</b>		APPROVALS	DATE					
FINISH ⚠		DRAWN <i>HSU</i>	8/3/79					
NEXT ASSY		CHECKED <i>[Signature]</i>	8-28-79					
USED ON		PR. ENG. <i>[Signature]</i>	8-31-79	APPROVED <i>[Signature]</i>		SIZE <b>B</b>	CODE IDENT NO. <b>98278</b>	DRAWING NO. <b>141-1004-0001</b>
APPLICATION		DO NOT SCALE DRAWING		SCALE <b>10X</b>		SHEET <b>1</b> OF <b>1</b>		