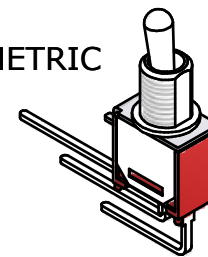
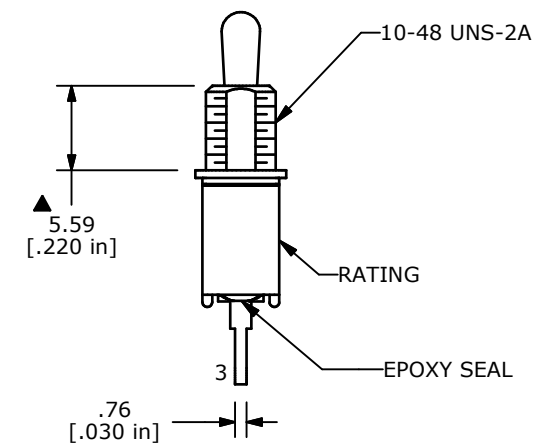
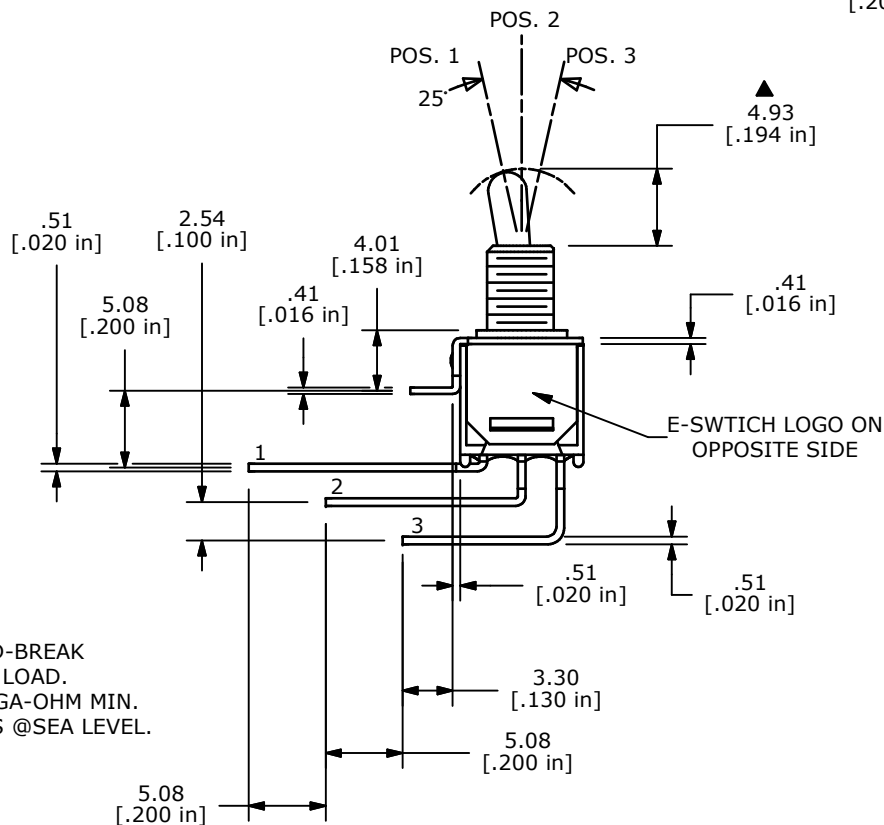
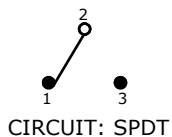


**ISOMETRIC**



| SWITCH FUNCTION |        |        |
|-----------------|--------|--------|
| POS. 1          | POS. 2 | POS. 3 |
|                 |        |        |
| ON              | OFF    | ON     |
| 2-3             | OPEN   | 2-1    |



- NOTE:**
- ALL DIMENSIONS IN MM [INCH]
  - GENERAL TOLERANCE: X.X=±0.4  
X.XX=±0.25
  - TERMINAL NUMBERS FOR REF ONLY
  - CONTACT MATERIAL: SILVER
  - RATING: 3A @ 120VAC OR 28VDC  
1A @ 250VAC
  - LIFE EXPECTANCY: 30,000 MAKE-AND-BREAK CYCLES AT FULL LOAD.
  - INSULATION RESISTANCE: 1,000 MEGA-OHM MIN.
  - DIELECTRIC STRENGTH: 1,000 V RMS @SEA LEVEL.
  - OPERATING TEMP.: -30°C to 85°C
  - 2002/95/EC (ROHS) COMPLIANT
  - ▲ DENOTES CRITICAL PARAMETER.



|     |        |                        |        |     |
|-----|--------|------------------------|--------|-----|
| A   | 18234  | RELEASE FOR PRODUCTION | 9/4/08 | BLR |
| REV | PCR NO | DESCRIPTION            | DATE   | BY  |

|                       |          |     |         |     |
|-----------------------|----------|-----|---------|-----|
| TITLE 200MSP3T2B1M7QE |          |     |         |     |
| SCALE                 | DATE     | DR  | DWG     | REV |
| 2:1                   | 9/4/2008 | BLR | T211120 | A   |

THE INFORMATION CONTAINED IN THIS DOCUMENT IS PROPRIETARY TO E-SWITCH AND IS NOT TO BE COPIED OR TRANSFERRED