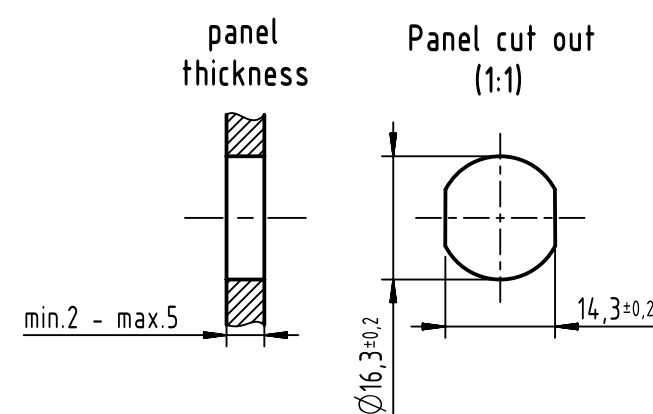
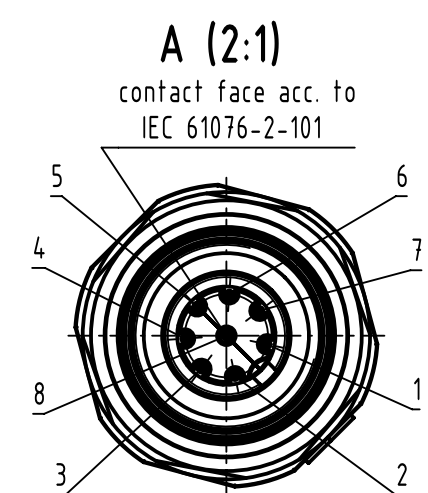
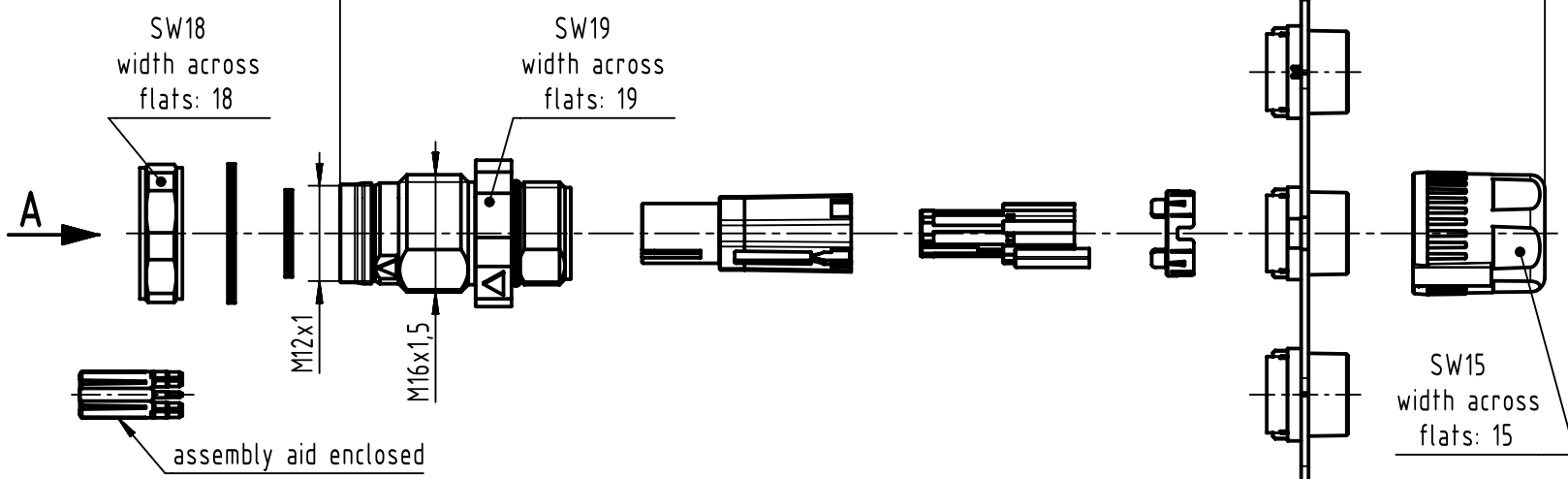


complete length when assembled app. 42



recommended torque of counter nut: 2Nm
order contacts separately

5,7-8,8mm		AWG 26-22		21 01 100 9025	
cable \varnothing		wire gauge		contact part number	
All Dimensions in mm Original Size DIN A4	Scale 1:1	Free size tol.		Ref.	
				Sub.	
All rights reserved Department EL PD	Created by BALSAN	Inspected by FARCASIU	Standardisation 302077	Date 2021-01-12	State Final Release
	Title M12 PFT Crimp SD Female 8pole A-coded				Doc-Key / ECM-Nr. 100708197/UGD/001/F 500000186847
HARTING D-32339 Espelkamp		Type TB	Number 21038212825		Rev. F Page 1/1

