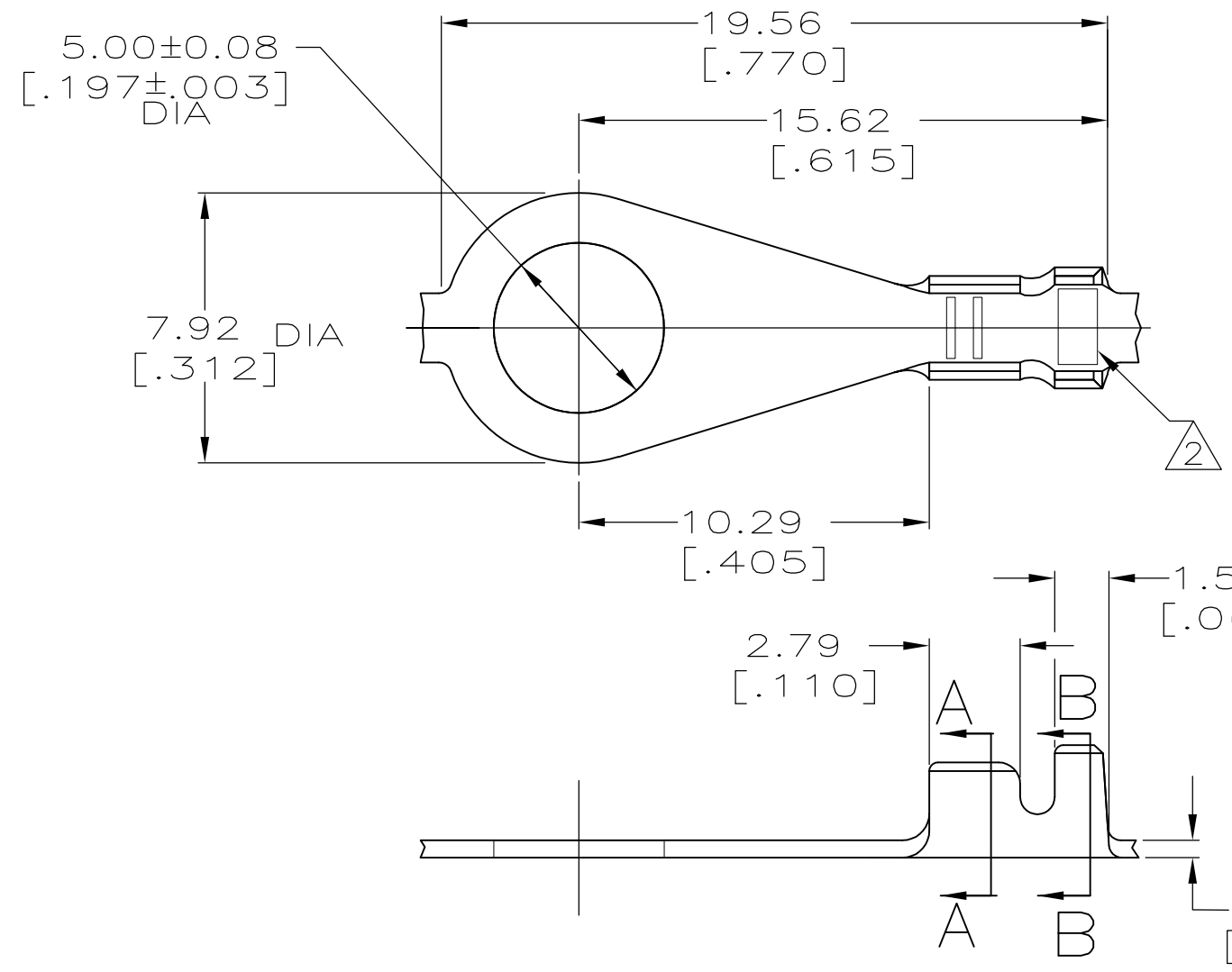
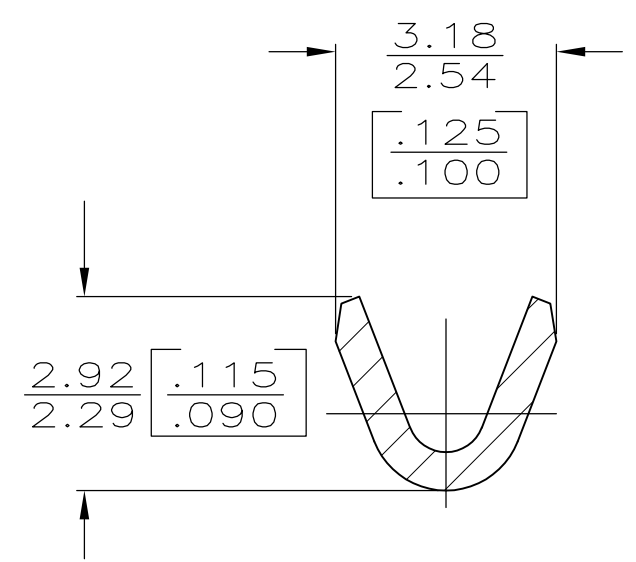


THIS DRAWING IS UNPUBLISHED. RELEASED FOR PUBLICATION  
 © COPYRIGHT - By - ALL RIGHTS RESERVED.

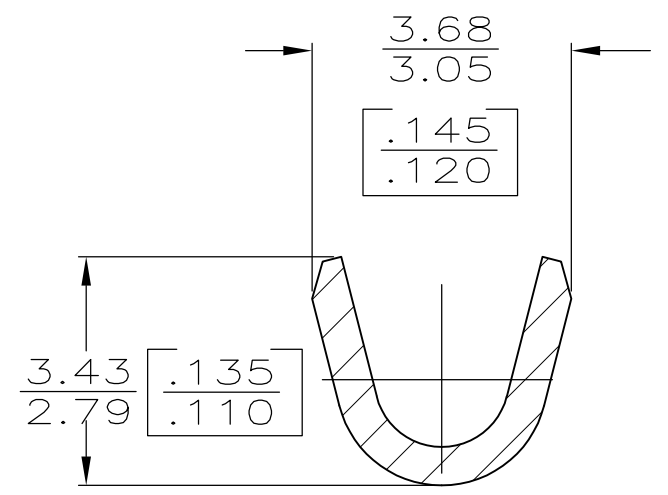
REVISIONS				
P	LTR	DESCRIPTION	DATE	APVD
	H2	REVISED PER ECR-16-013146	19SEP2016	BW DC



- CONTINUOUS STRIP ON REEL.
- △  
2 STAMPING:  
AMP FOR 42164-2  
AMP\* FOR 42164-3.



SECTION A-A  
SCALE 10:1



SECTION B-B  
SCALE 10:1

H02 PHOS BRZ	1.22-1.98 DIA [.048-.078]	0.2 - 0.6mm <sup>2</sup> [24-20] AWG	42164-3
#2 HD BRASS			42164-2
MATERIAL	INSULATION RANGE	WIRE RANGE	PART NO

0	.090	2.29	4.32	F	2.03	1.40 [.055]	0.6mm <sup>2</sup> [20]
F	.100	[.090]	[.170]	F	[.080]	1.35 [.053]	0.3mm <sup>2</sup> [22]
						1.27 [.050]	0.2mm <sup>2</sup> [24]
TYPE	WIDTH	STRIP LENGTH ±0.38 [±.015]	TYPE	WIDTH	±0.051 [±.002] HEIGHT	WIRE	
INSUL BARREL CRIMP			WIRE BARREL CRIMP				

THIS DRAWING IS A CONTROLLED DOCUMENT.

DIMENSIONS: mm [INCHES]

TOLERANCES UNLESS OTHERWISE SPECIFIED:

0 PLC	± -
1 PLC	± -
2 PLC	± 0.25 [.010]
3 PLC	± -
4 PLC	± -
ANGLES	± -
FINISH	TIN

MATERIAL: SEE TABLE

DWN P FORTNEY 5/13/91  
CHK JR RUTH 5/13/91  
APVD G YETTER 5/13/91

PRODUCT SPEC: RING

APPLICATION SPEC: -

WEIGHT: 0.000000

CUSTOMER DRAWING

SCALE: 5:1

SHEET: 1 OF 1

REV: H2

SIZE: A3

CAGE CODE: 00779

DRAWING NO: C-42164

RESTRICTED TO: -

