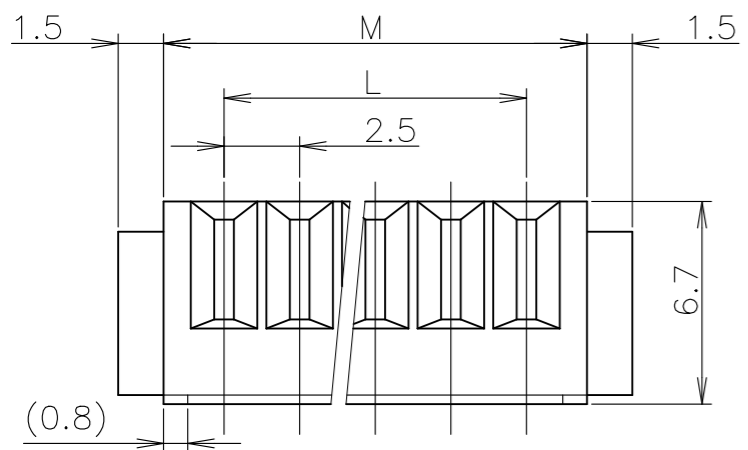
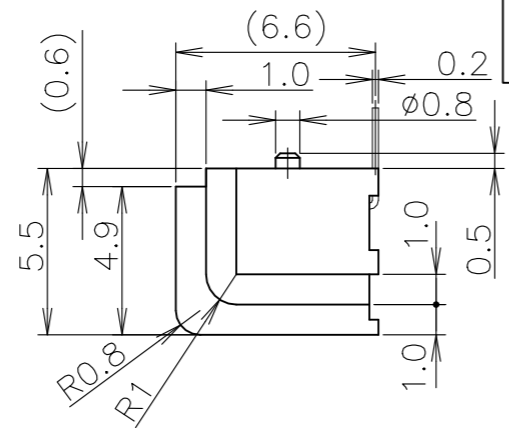
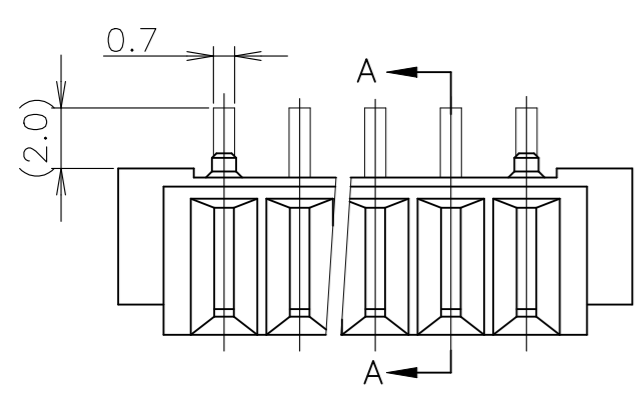
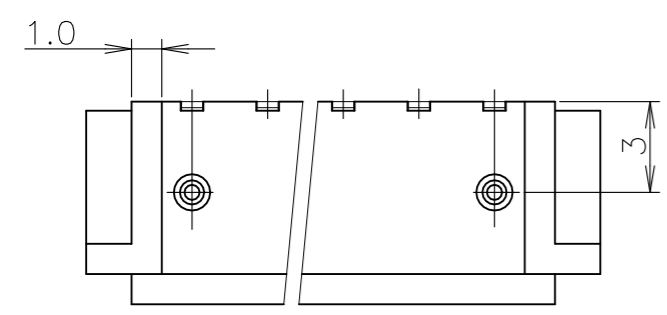
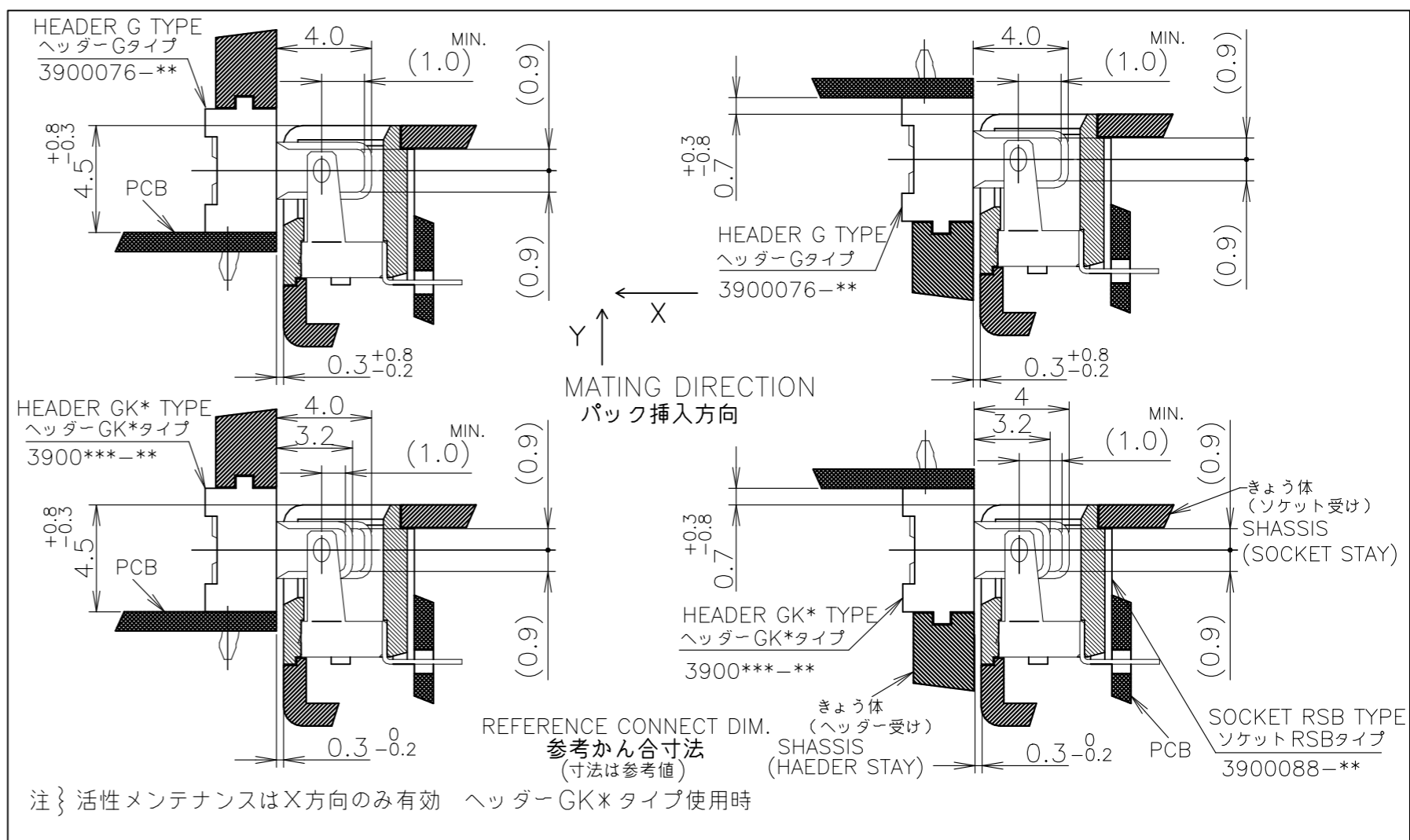
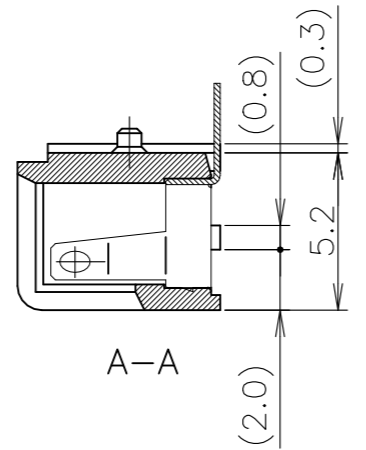


REVISIONS					
変更					
P	LTR	DESCRIPTION	DATE	DWN	APVD
	A	REVISED	04JUL2022	J.J	N.S

- 1 GENERAL TOLERANCE : ±0.3
- 2 MATERIALS
 BASE : THERMOPLASTIC, BLACK
 POST : COPPER ALLOY
 OVER ALL: NICKEL UNDER PLATING 1μm MIN.
 CONTACT POINT: Pd-Ni PLATING 1μm MIN.
 CONTACT POINT: Au PLATING 0.15μm MIN.
 Au PLATE OVER NICKEL PLATE (TAIL AREA)
- 3 OBSOLETE PARTS: OBSOLETE CIS STREAMLINING PER D.RENAUD/D.SINISI



鉛フリー
LEAD FREE

3 OBSOLETE

6-6447143-6	3900088-06	6	12.5	16.5	
6-6447141-2	3900088-05	5	10.0	14.0	
6-6447141-1	3900088-04	4	7.5	11.5	
6-6447141-0	3900088-03	3	5.0	9.0	

PART NO. 型番	OLD PART NO. 旧型番	NO. OF POS. 極数	L M		REMARK 備考
			寸法	SIZE	

THIS DRAWING IS A CONTROLLED DOCUMENT.		DWN H.TAKASU 05AUG04	TE Connectivity BU CONNECTOR FS3 SOCKET RSB TYPE
DIMENSIONS: 単位: 耗 mm		CHK T.KIMURA 05AUG04	
TOLERANCES UNLESS OTHERWISE SPECIFIED: 一般公差		APVD K.IKEGAMI 05AUG04	
0 PLC ±- 1 PLC ±- 2 PLC ±- 3 PLC ±- 4 PLC ±- ANGLES ±-		NAME 名称	
MATERIAL 材料		PRODUCT SPEC 製品規格 108-78126	SIZE
FINISH 仕上		APPLICATION SPEC 取付適用規格	CAGE CODE
2		WEIGHT 0.000000	DRAWING NO 番号
2		CUSTOMER DRAWING	RESTRICTED TO

SIZE	CAGE CODE	DRAWING NO 番号	RESTRICTED TO
A3	00779	G-6-6447143-6	
SCALE 尺度 4:1		SHEET 1 OF 1	REV A