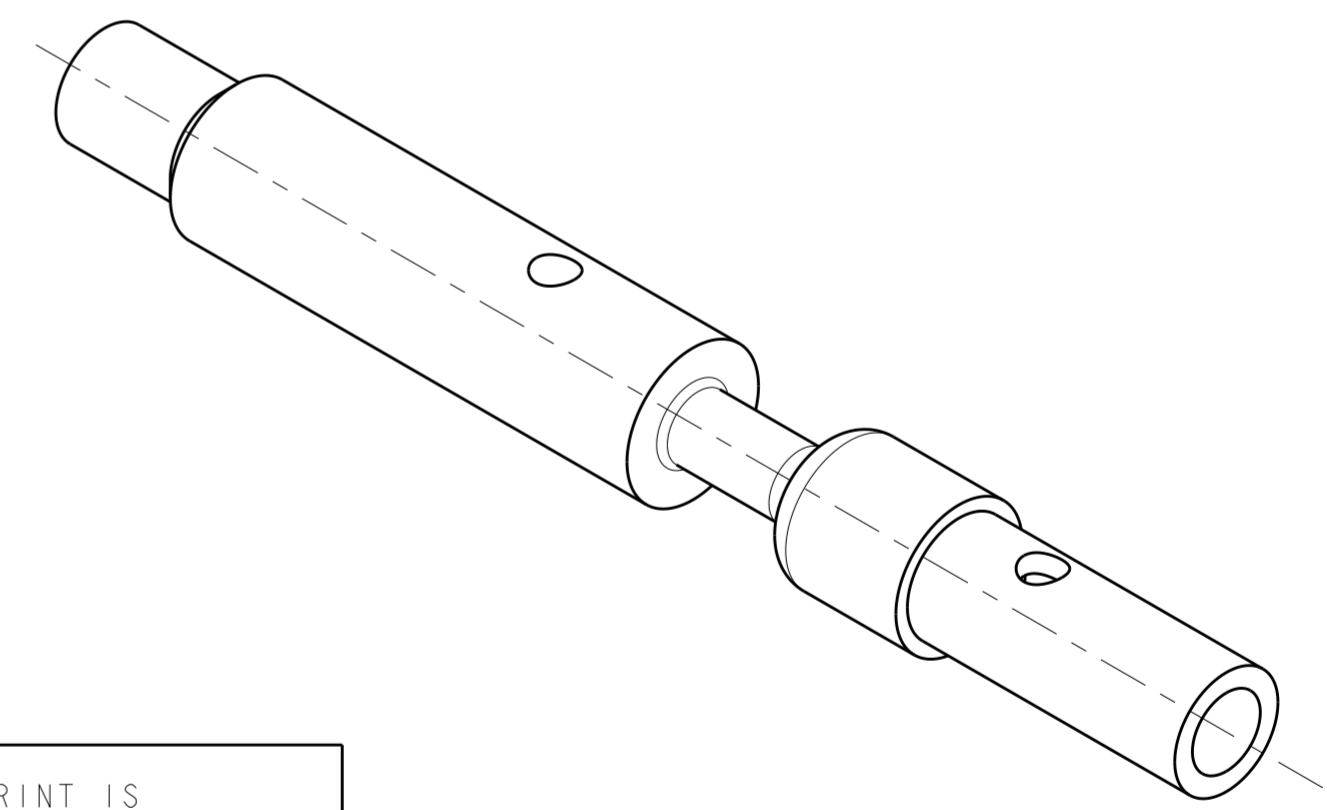
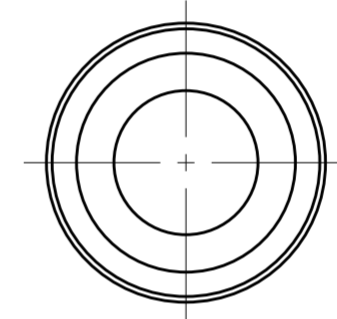
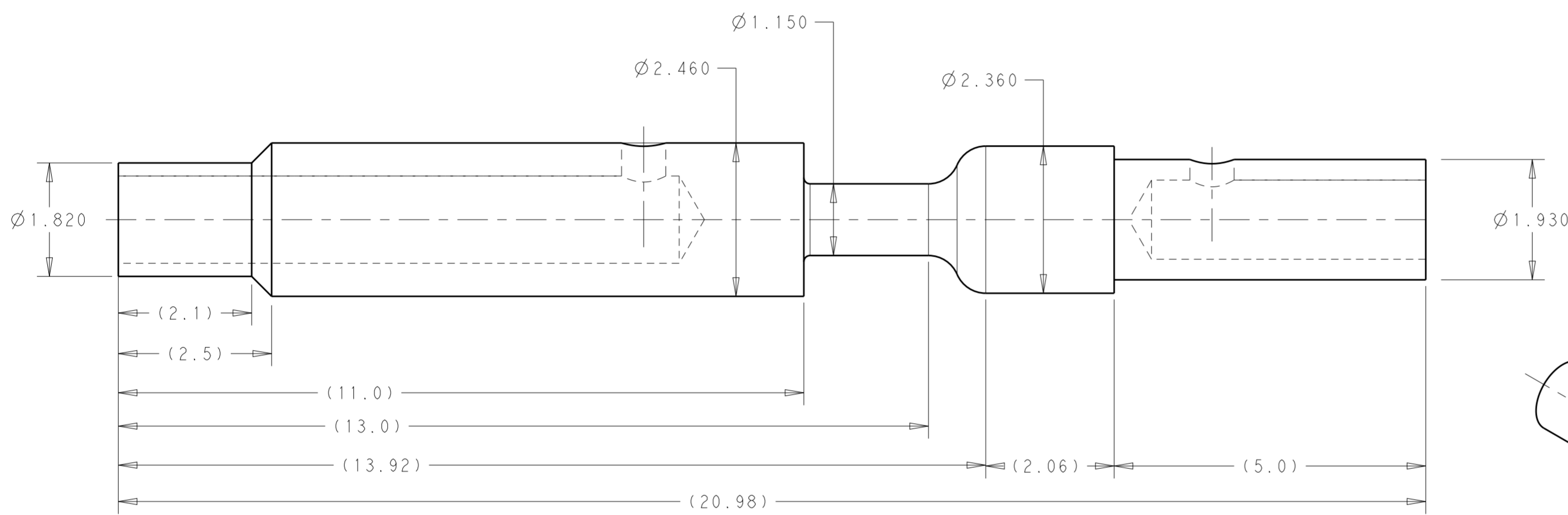
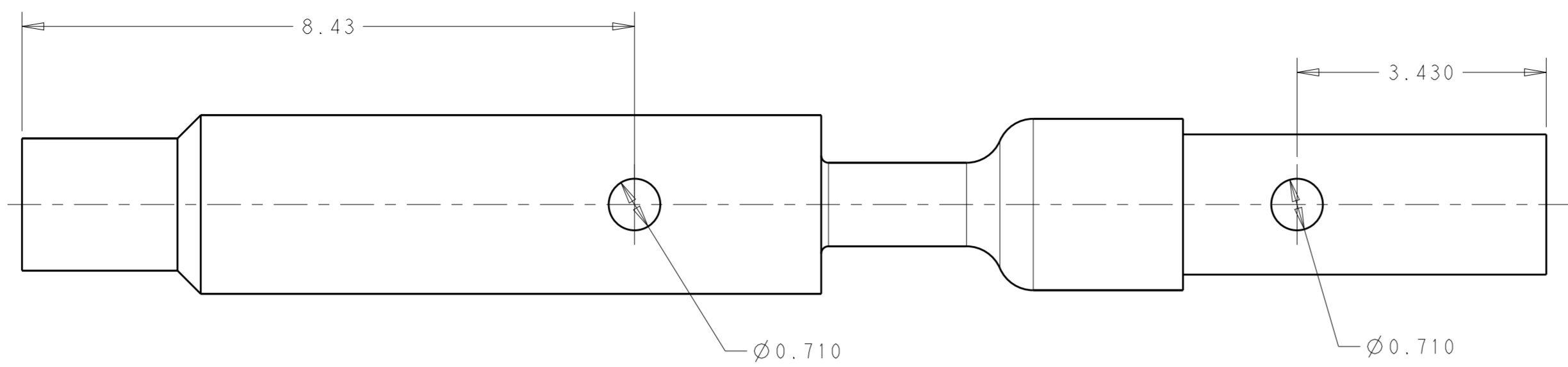


THIS DRAWING IS UNPUBLISHED. RELEASED FOR PUBLICATION  
 © COPYRIGHT - TE CONNECTIVITY ALL RIGHTS RESERVED.

| REVISIONS |     |                                       |           |       |
|-----------|-----|---------------------------------------|-----------|-------|
| P         | LTR | DESCRIPTION                           | DATE      | APVD  |
| 1         |     | PRELIMINARY                           | 23JUL2018 | TB MT |
| 2         |     | Chg Hole Diam .45 to .71, Added Notes | 10OCT2018 | TB MT |



THIS PRINT IS  
**PRELIMINARY**  
 UNQUALIFIED PRODUCT  
 CONTACT PRODUCT ENGINEERING  
 BEFORE USING THIS PRINT

SCALE 10:1

SHOWN: 2338063-1

1. Finish: Interface clip - 0.75um min Thk Gold over 2.5um Nickel;  
 Body - 0.125um min Thk Gold over 2.5um Nickel
2. Material: Interface clip - Beryllium Copper,  
 Body - Brass
3. Wire Range: #18awg

|   |  |                        |   |                    |
|---|--|------------------------|---|--------------------|
| THIS DRAWING IS A CONTROLLED DOCUMENT.  |  | DWN T BANAS 23JUL2018  | TE Connectivity                                 |                    |
| DIMENSIONS: mm  |  | CHK M TRULL 23JUL2018  |   |                    |
| TOLERANCES UNLESS OTHERWISE SPECIFIED:  |  | APVD M TRULL 23JUL2018 | NAME 1.0mm Solid Socket Assembly, 68 Pos Hybrid |                    |
| 0 PLC ± -<br>1 PLC ± -<br>2 PLC ± -<br>3 PLC ± -<br>4 PLC ± -<br>ANGLES ± -<br>FINISH - |  | PRODUCT SPEC -         | RESTRICTED TO                                   |                    |
| MATERIAL -  |  | APPLICATION SPEC -     | SIZE A2   | CAGE CODE -        |
|   |  | WEIGHT -               | DRAWING NO 2338063_C                            |                    |
|   |  | CUSTOMER DRAWING       | SCALE 1:1                                       | SHEET 1 OF 1 REV 2 |