



PRODUCT CHANGE NOTIFICATION (PCN)

ISSUE DATE: 28.06.2022
MODIFICATION / REVISION DATE: 28.06.2022

A-20042-LP/SMT
RJ-Socket SMT angled (90°) | RJ45 (8p/8c)

CHANGE NOTIFICATION:	PCN 20220628_A-20042-LP/SMT
DESCRIPTION OF CHANGES:	CHANGE OF ORGANISATION STRUCTURE CHANGE OF ORGANISATION STRUCTURE New Draw.-No. ASS_1003A_COrev03
REASON FOR CHANGE:	CHANGE OF ORGANISATION STRUCTURE CHANGE OF ORGANISATION STRUCTURE
KEY CHARACTERISTICS OF CHANGE:	Details see page 3
PRODUCTS AFFECTED:	A-20042-LP/SMT
DATE OF CHANGE AND IMPLEMENTATION:	CHANGE: 27/2022 IMPLEMENTATION: 28.06.2022
RESPONSE:	NO RESPONSE TO THIS NOTIFICATION IS REQUIRED

PCN REVISION HISTORY:

DATE OF REVISION: 28.06.2022

REVISION NUMBER: 00

page 1/



Auf dem Schüffel 1
 D-58513 Lüdenscheid
 Tel.: +49-2351 - 554-200
 Fax +49 (2351) 554-861
 info@assmann-wsw.com
 www.assmann-wsw.com

PRODUCT CHANGE NOTIFICATION (PCN)

ISSUE DATE: 28.06.2022
 MODIFICATION / REVISION DATE: 28.06.2022

REFERENCE DOCUMENTS / ATTACHMENTS:
 DOCUMENT: DRAWING

ASSMANN WSW P/N	Drawing Number		ASSMANN WSW P/N	Drawing Number
A-20042-LP/SMT	ASS_1003A_COrev02	↔	A-20042-LP/SMT	ASS_1003A_COrev03



Auf dem Schüffel 1
 D-58513 Lüdenscheid
 Tel.: +49-2351 - 554-200
 Fax: +49 (2351) 554-861
 info@assmann-wsw.com
 www.assmann-wsw.com

PRODUCT CHANGE NOTIFICATION (PCN)

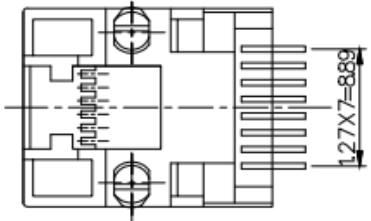
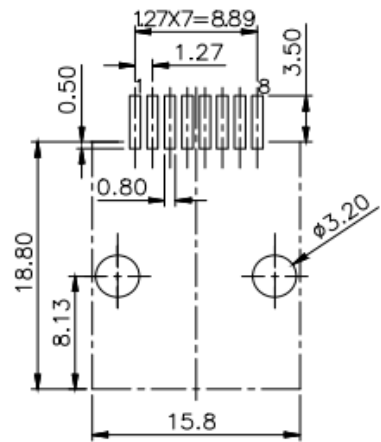
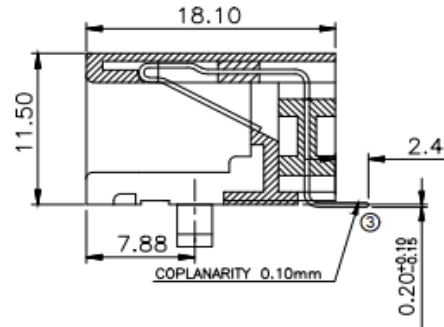
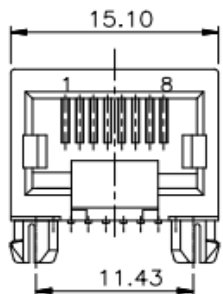
ISSUE DATE: 28.06.2022
 MODIFICATION / REVISION DATE: 28.06.2022

A-20042-LP/SMT OLD VERSION	A-20042-LP/SMT NEW VERSION
<p>Old Pin structure:</p>	<p>Old Pin structure:</p>
<p>FOR DETAIL, PLEASE TAKE ATTACHED NEW DRAWING: ASS_1003A_COrev03 FOR REFERENCE</p>	

PCN REVISION HISTORY:

DATE OF REVISION: 28.06.2022

REVISION NUMBER: 00



- NOTES:**
- ELECTRICAL:**
- 1. VOLTAGE RATING :125 VAC;
 - 2. CURRENT RATING :1.5 AMP;
 - 3. CONTACT RESISTANCE :35 MILLIOHMS MAX;
 - 4. INSULATION RESISTANCE :1000 MEGOHMS MIN. @ 500 VDC;
 - 5. DIELECTRIC STRENGTH :1000 VAC 60Hz, 1 MIN.
- MECHANICAL:**
- 1. HOUSING MATERIAL :HIGH TEMP UL94V-0 BK;
 - 2. CONTACT MATERIAL :PHOSPHOR BRONZE t=0.35mm;
 - 3. PLATING :6u" GOLD PLATING OVER NICKEL;
 - 4. OPERATING LIFE :750 CYCLES MIN;
 - 5. PCB RETENTION POST-SOLDER :10 LBS MIN;
- ENVIRONMENTAL:**
- 1. STORAGE :-40°C TO +85°C;
 - 2. OPERATION TEMPERATURE :-40°C TO +85°C.

PC BOARD LAYOUT COMPONENT SIDE SHOWN

RoHS compliant
Unit:mm

Scale	Free					Date	Name	Description: Modular connector 8P8C SMT	
TOLERANCE						Drawn	19.04.04	A.Menk	ASSMANN WSW-No. A-20042-LP/SMT
X.X	±0.20					Approved	28.06.2022	Segal	
X.XX	±0.15								Drawing-No. ASS 1003A CO rev03
X.XXX	±0.10	③	Update	28.06.2022	Segal				
DIM	TOL	②	Update	29.06.2011	Jason	ASSMANN WSW components		Customer-No.	
		①	Zeichnung überarbeitet	07.11.07	N.Schulz			SHEET 1 / 1	
Angle	±5°	Id.	Modification	Date	Name				