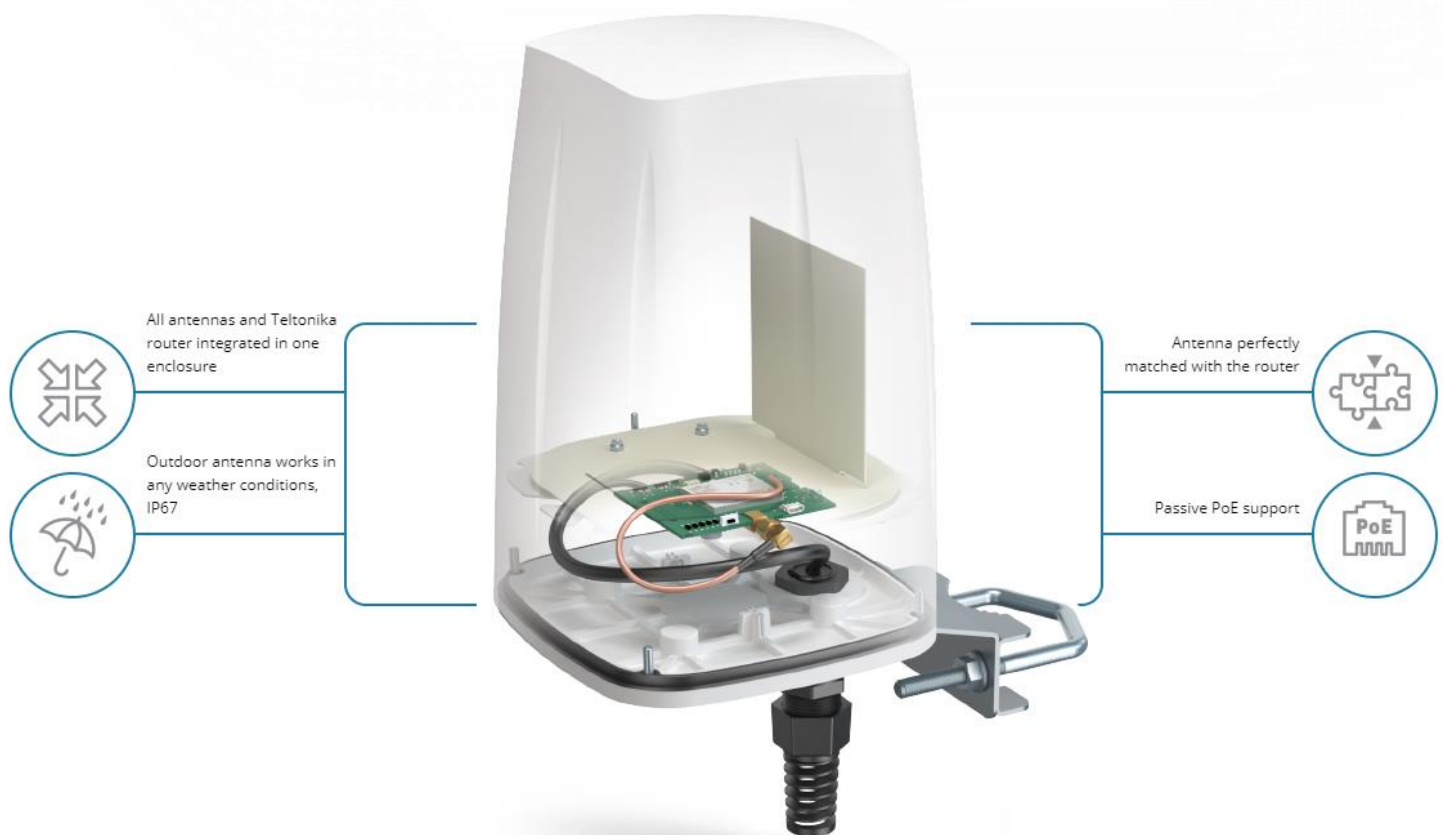


# QuSpot for TRB 140

## INTEGRATED MULTI-BAND LTE OMNI ANTENNAS + PLACE TO INSTALL TELTONIKA TRB140 (ALL-IN-ONE)

QuSpot omni LTE antenna for Teltonika TRB140 router is a perfect outdoor device for mobile and fixed installations like industrial, CCTV, hotspots, yachts, boats, campers, RV etc. If you use TRB140 with QuSpot antenna, you get an integrated complete solution with embedded router and multi band antennas in one enclosure.



### OUTDOOR

Use Teltonika router wherever you want

### ANTENNA

Maximize your signal with QuWireless antennas

### SOLUTION

Plug Teltonika router and you are good to go

## LTE SPECIFICATION

FREQUENCY	0.694-0.96 GHz 1.7 - 2.2 GHz 2.2 - 2.7 GHz
GAIN	2 dBi 2 dBi 4 dBi
VSWR	<1.70, max <2.00 <1.60, max <2.00 <1.60, max <2.00
BEAMWIDTH	360°/35° +/- 5° 360°/35° +/- 5° 360°/35° +/- 5°
POLARIZATION	Vertical
IMPEDANCE	50 Ω

## MECHANICAL SPECIFICATION

MATERIALS	ABS, aluminum, PTFE
INGRESS PROTECTION	IP67
DIMENSIONS	160 x 160 x 240 mm 6.3 x 6.3 x 9.45 inch
WEIGHT	1.5 kg 3.31 lbs
OPERATING TEMPERATURE	From -40°C to 75°C From -40°F to 167°F

## DEVICE SPECIFICATION

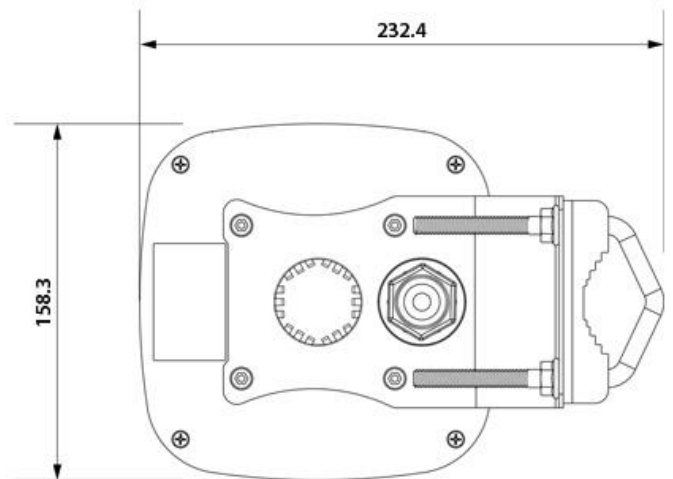
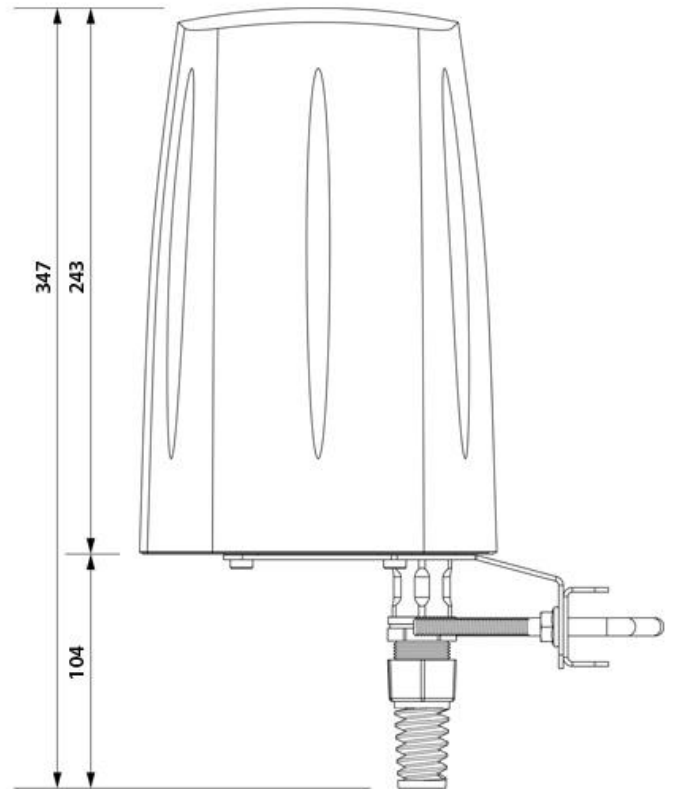
## DIMENSIONS



Small and quick to deploy industrial Ethernet to 4G LTE IoT gateway. Advanced VPN functionality, security and remote management capabilities makes TRB140 the best option for single device connectivity.

[TRB140 Datasheet](#)

[TRB140 Quick Start Guide](#)



### HEADQUARTER:

Wireless Instruments sp. z o.o.

ul. Kościuszki 27

52-116 Iwiny

POLAND

[sales@quwireless.com](mailto:sales@quwireless.com)

tel 1. +48 601 366 369

tel 2. +48 577 667 761

[www.quwireless.com](http://www.quwireless.com)