

Attn.: _____

HIROSE ELECTRIC CO., LTD.
5-23, OSAKI 5-CHOME, SHINAGAWA-KU, TOKYO, JAPAN

Notice of Pressing Plate Form Change for EM30MSD Series and Request for Your Acknowledgement

Hirose would like to take this opportunity to thank you sincerely for your support, and we hope this letter finds you well and prosperous.

We are writing today to inform you that we will change the form of the pressing plate for EM30MSD Series for the following reasons.

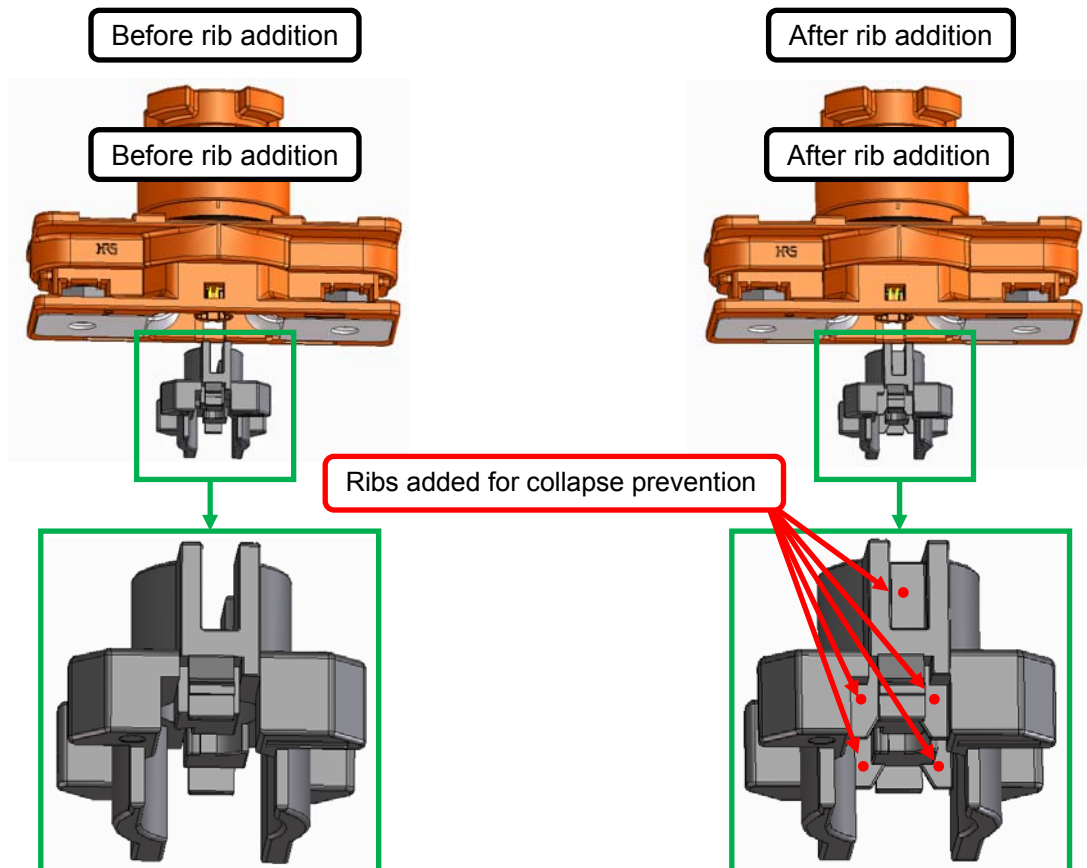
We request that you kindly offer your consent to this matter.

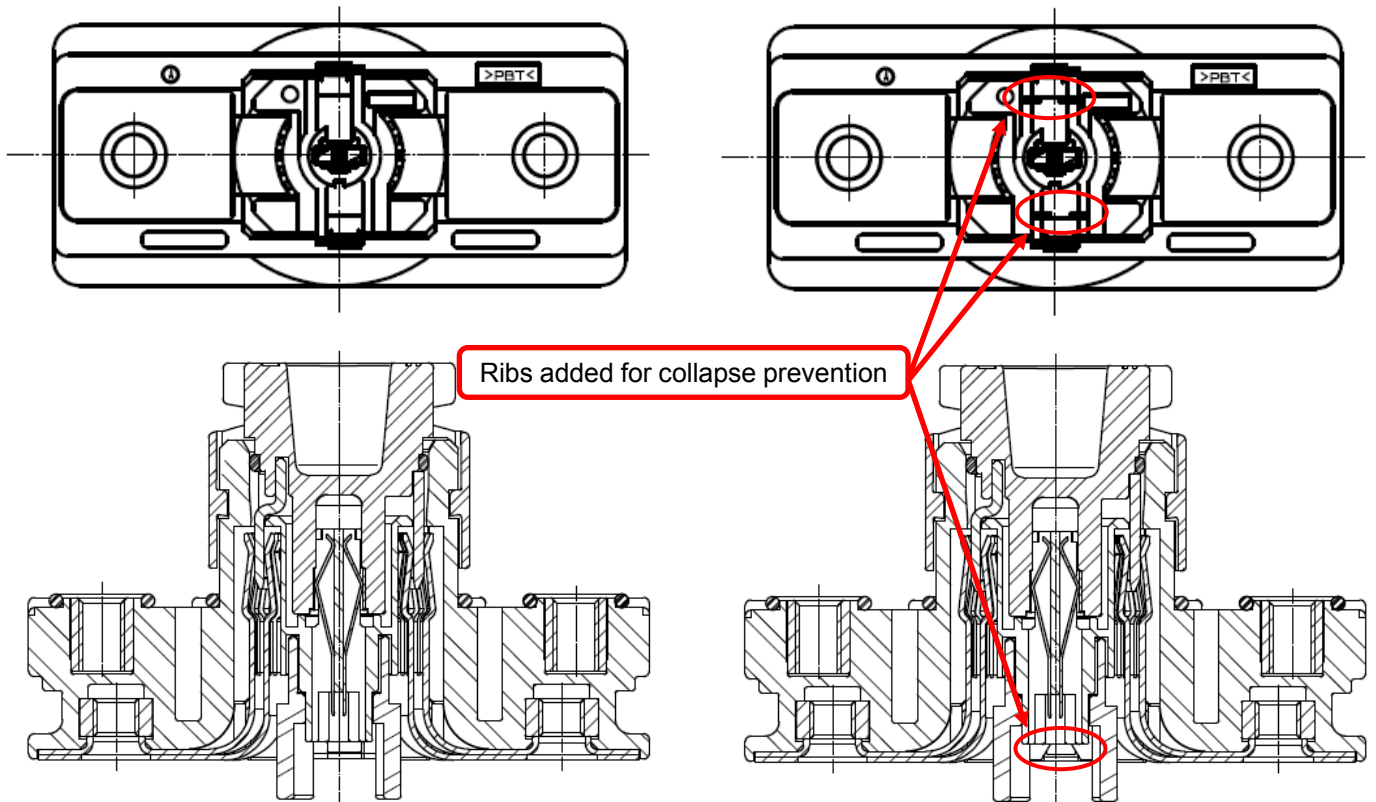
1. Products Affected

EM30MSD (CL138-0200-0-00)

2. Description and Reason of Change

We will add ribs to enhance the moldability of the pressing plate.





3. Difference Resulting from Change

There will be no difference in product performance.

4. Confirmation of Your Acknowledgement

We kindly request that you let a Hirose account representative know you acknowledge this matter by the end of February 2016. In the absence of a response by this date, please be advised that you will be delivered products that have been changed as described above. If you should have any questions, please feel free to contact a Hirose account representative.

5. Schedule of Implementation of Change

We will start the delivery of new products from March 2016.

Hirose's sales representative for your company will explain and confirm delivery timing.

For customers who need differentiation in the deliveries of old and new products, Hirose's sales representative will provide explanation separately.

Your understand and cooperation is highly appreciated.

Acknowledgment

(Customer -> Hirose Electric business representative)

**Notice of Pressing Plate Form Change for EM30MSD Series
and Request for Your Acknowledgement**

We acknowledge the aforementioned matter.

●Customer's name: _____

●Acknowledgment stamp (or signature): _____

HIROSE ELECTRIC CO., LTD.

..... (Cut on this line)

Document Receipt

(Customer -> Hirose Electric business representative)

**Notice of Pressing Plate Form Change for EM30MSD Series
and Request for Your Acknowledgement**

We received the document concerning the above.

●Customer's name: _____

●Acknowledgment stamp (or signature): _____

HIROSE ELECTRIC CO., LTD.