

SUMMARY



Image is for illustrative purpose only

Wires

Triax 1

Series 3T
Termination type Female solder
IP rating 66
AWG wire size 0.00 - 0.00
Cable Ø 0.00 - 0.00 mm
Status active
Matching parts [FFA.3T.675.CTAC85Z](#)

Download

[Request a quote](#)

[Catalog](#)

TECHNICAL DETAILS

Mechanics

Shell Style/Model ERA*: Fixed socket, nut fixing
Keying Circular, female
Housing Material Brass (chrome plated [SAE AMS 2460]) shell and collet nut, nickel plated [SAE AMS QQ N 290] brass latch sleeve and mid pieces
Weight 45.80 g

Performance

Configuration 3T.675 : 1 Triax (75 Ohm)
Insulator T: PTFE
Rated Current 8 Amps

Specifications

Contact Type: Triaxial 75 Ohm (Solder)
Vtest: 1200 V (AC), 1690 V (DC)
Impedance: 75 Ohm

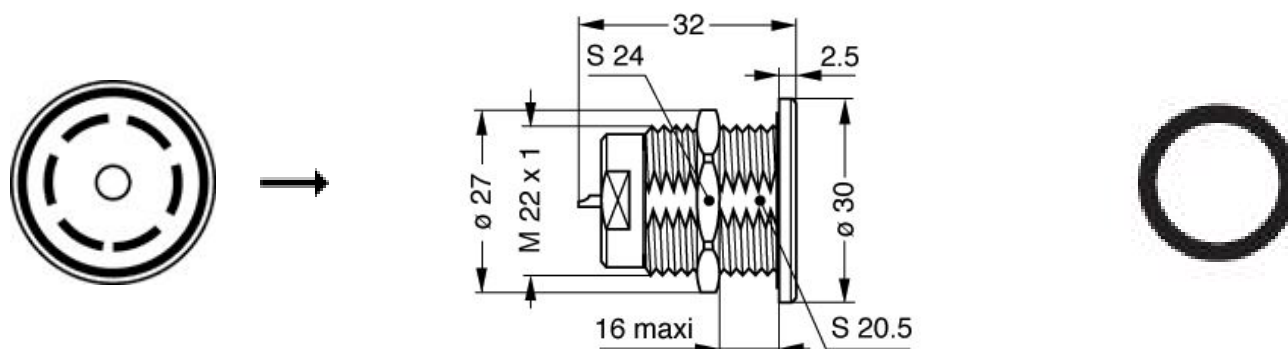
Others

Endurance (Shell): >1000 mating cycles
Temp (min / max): -55°C / +200°C

LEMO products and services are provided "as is". LEMO makes no warranties or representations with regard to LEMO product & services or use of them, express, implied or statutory, including for accuracy, completeness, or security. The user is fully responsible for his products and applications using LEMO components.

Humidity (max): $\leq 95\%$ [at 60 deg C / 140 F]
Resistance to vibration: 15 g [10 Hz - 2000 Hz]
Shock Resistance: 100 g [6 ms]
Climatical Category: 50/175/21
Shielding efficiency (min): 95 dB (at 10 MHz)
Shielding efficiency (min): 80 dB (at 1 GHz)
Salt Spray Corrosion: >1000 hr

DRAWINGS



RECOMMENDED BY LEMO

Tools

Cables

LEMO products and services are provided "as is". LEMO makes no warranties or representations with regard to LEMO product & services or use of them, express, implied or statutory, including for accuracy, completeness, or security. The user is fully responsible for his products and applications using LEMO components.