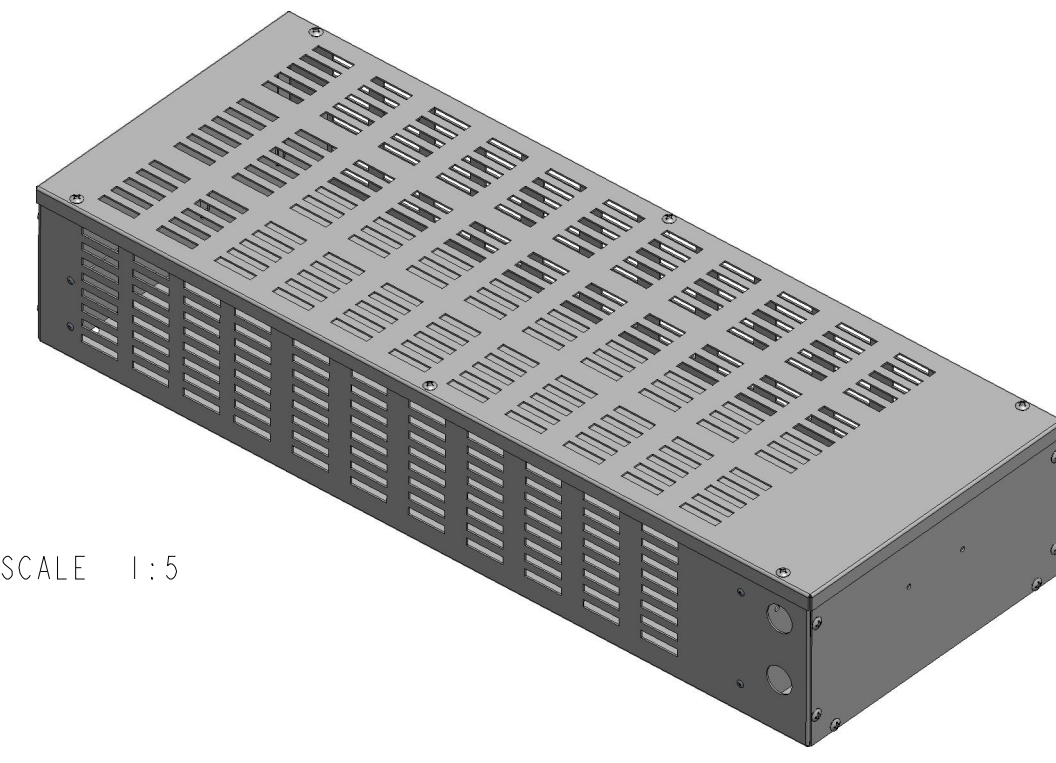
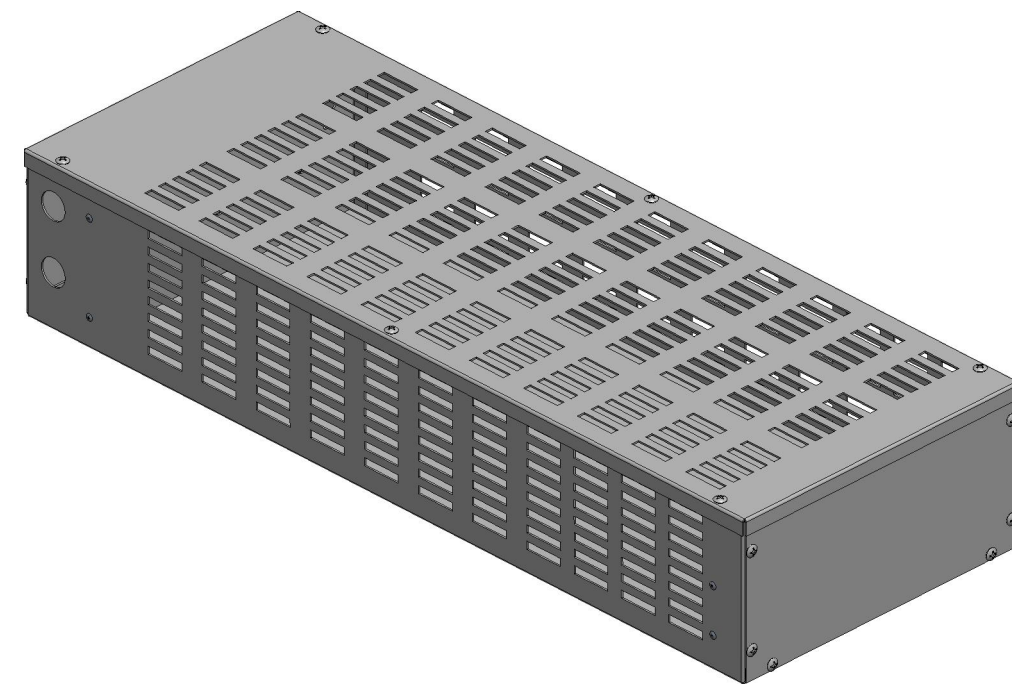
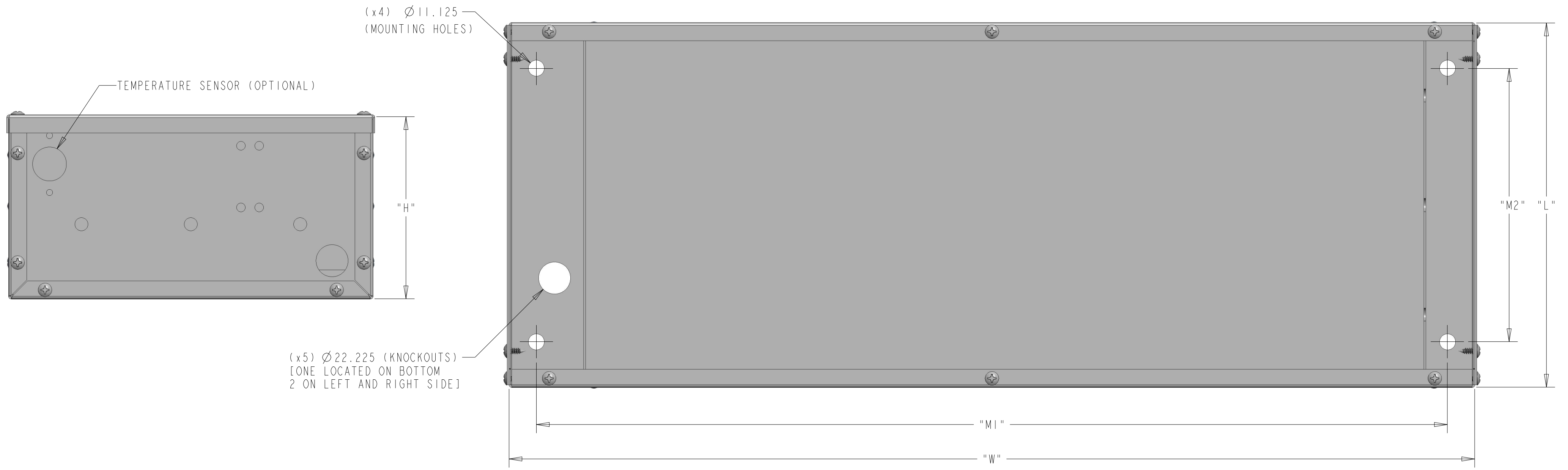


REVISIONS					
P	LTR	DESCRIPTION	DATE	DWN	APVD
	A	INITIAL RELEASE	07OCT2021	KS	AP



SCALE 1:5



PART NUMBER	W (mm)	L (mm)	H (mm)	M1 (mm)	M2 (mm)	TOTAL RESISTANCE	H.P.	DUTY CYCLE	DRIVE VOLTAGE	BRAKING TORQUE
HPBA020F400R100E	673	254	127	635	191	400 Ohms ± 10%	2.00	100%	575 V	150%

NOTE:
1. FOR FURTHER TECHNICAL INFORMATION PLEASE SEE THE DATASHEET FOR THE HPBA SERIES

THIS DRAWING IS A CONTROLLED DOCUMENT.

DWN	S. KARTHIK	27-09-2021
CHK	ALLAN PILE	27-09-2021
APVD	ALLAN PILE	27-09-2021

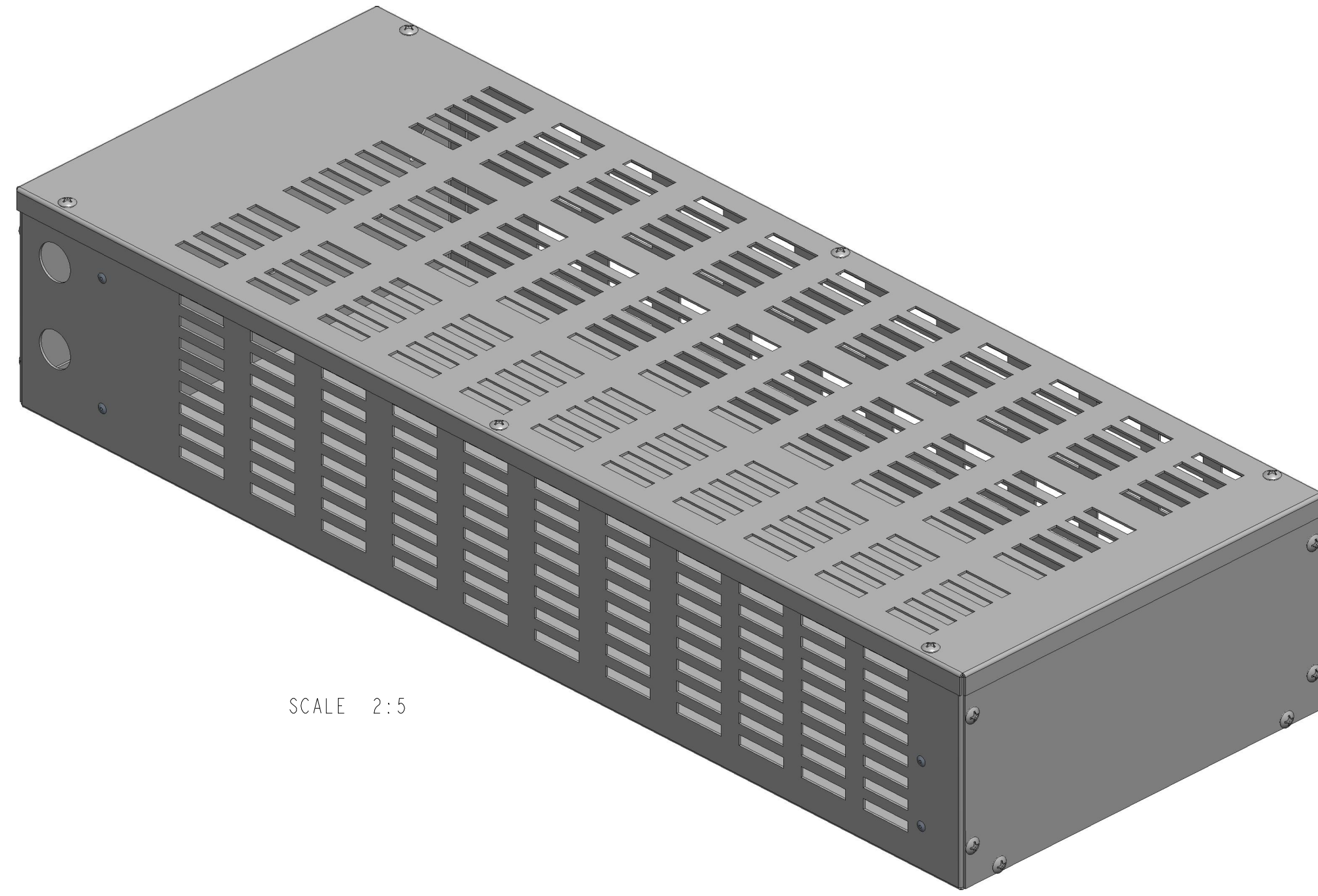
STE TE Connectivity

NAME: BRAKING RESISTOR ASSEMBLY TYPE HPBA SERIES HPBA020F400R100E

SIZE	CAGE CODE	DRAWING NO	RESTRICTED TO
A2	00779	C-6-2176470-0	-

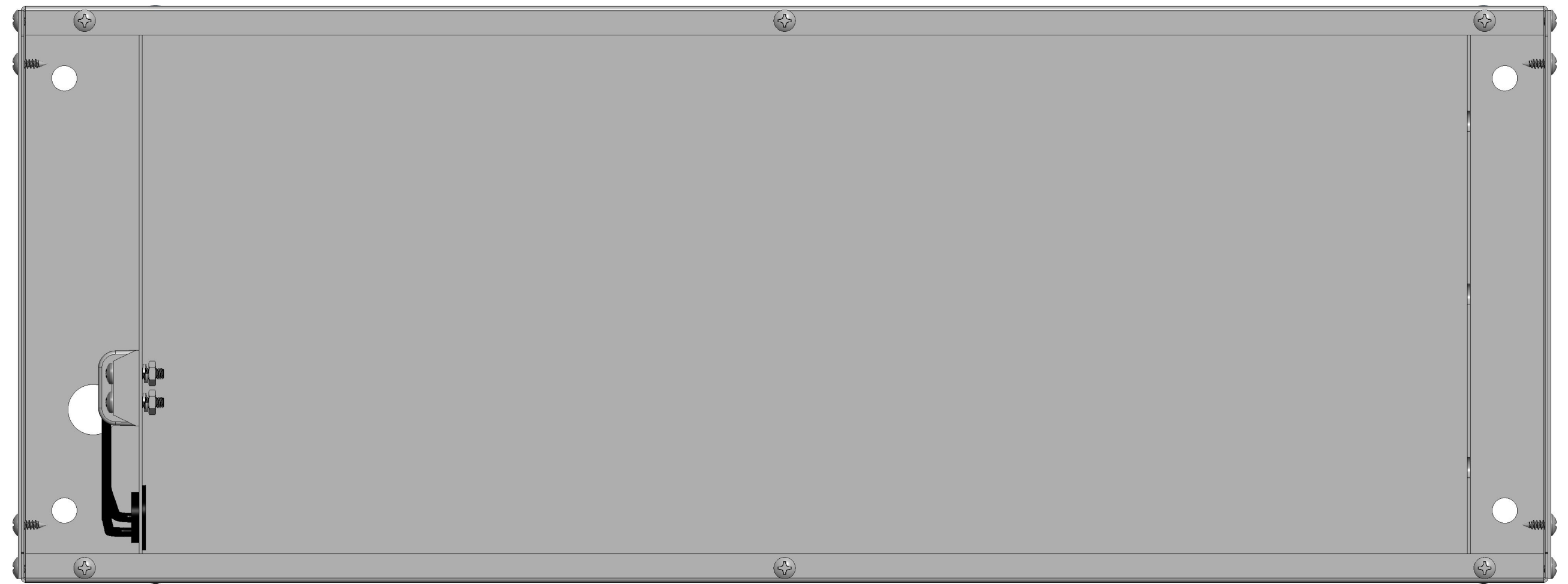
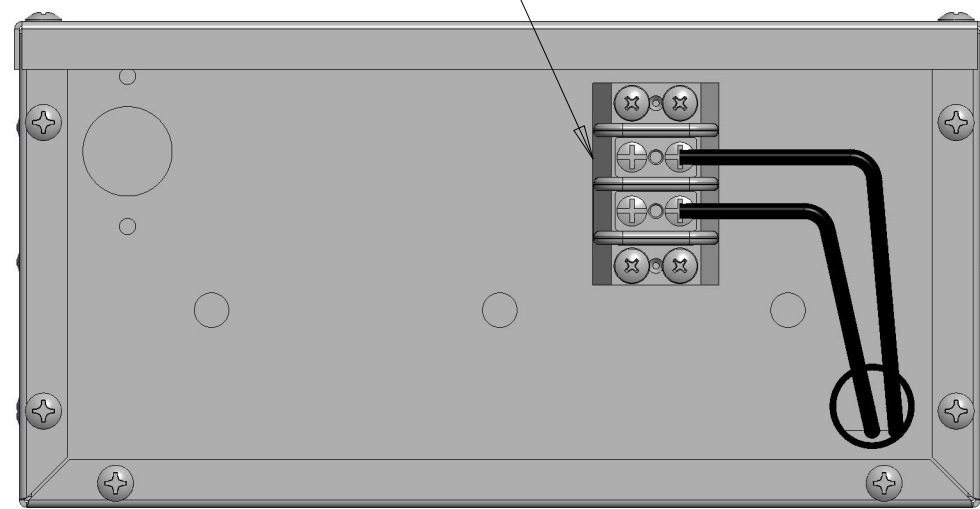
CUSTOMER DRAWING SCALE 1:2 SHEET 1 OF 2 REV A


P	LTR	DESCRIPTION	DATE	DWN	APVD
		SEE SHEET 1			



SCALE 2:5

TERMINAL BLOCK



THIS DRAWING IS A CONTROLLED DOCUMENT.		DWN S. KARTHIK 27-09-2021	 TE Connectivity															
DIMENSIONS: mm		CHK ALLAN PILE 27-09-2021																
TOLERANCES UNLESS OTHERWISE SPECIFIED:		APVD ALLAN PILE 27-09-2021	NAME BRAKING RESISTOR ASSEMBLY TYPE HPBA SERIES HPBA020F400R100E															
<table border="1"> <tr><td>0 PLC</td><td>±</td></tr> <tr><td>1 PLC</td><td>±</td></tr> <tr><td>2 PLC</td><td>±0.50</td></tr> <tr><td>3 PLC</td><td>±0.500</td></tr> <tr><td>4 PLC</td><td>±</td></tr> <tr><td>ANGLES</td><td>±</td></tr> <tr><td>FINISH</td><td>-</td></tr> </table>		0 PLC	±	1 PLC	±	2 PLC	±0.50	3 PLC	±0.500	4 PLC	±	ANGLES	±	FINISH	-	PRODUCT SPEC -	SIZE A2	CAGE CODE 00779
0 PLC	±																	
1 PLC	±																	
2 PLC	±0.50																	
3 PLC	±0.500																	
4 PLC	±																	
ANGLES	±																	
FINISH	-																	
MATERIAL -		APPLICATION SPEC -	DRAWING NO C-6-2176470-0	RESTRICTED TO -														
		WEIGHT -	SCALE 1:2 SHEET 2 OF 2 REV A															
		CUSTOMER DRAWING																