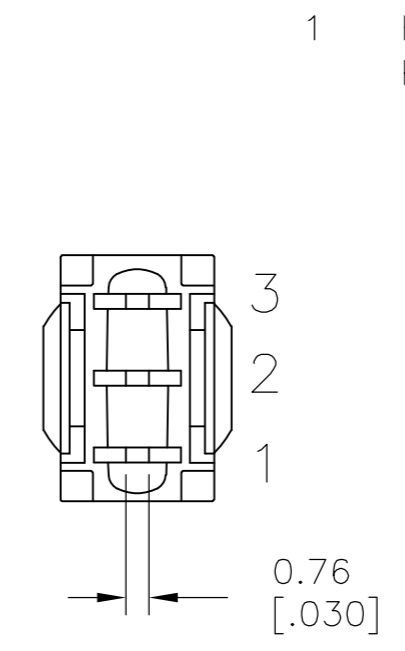
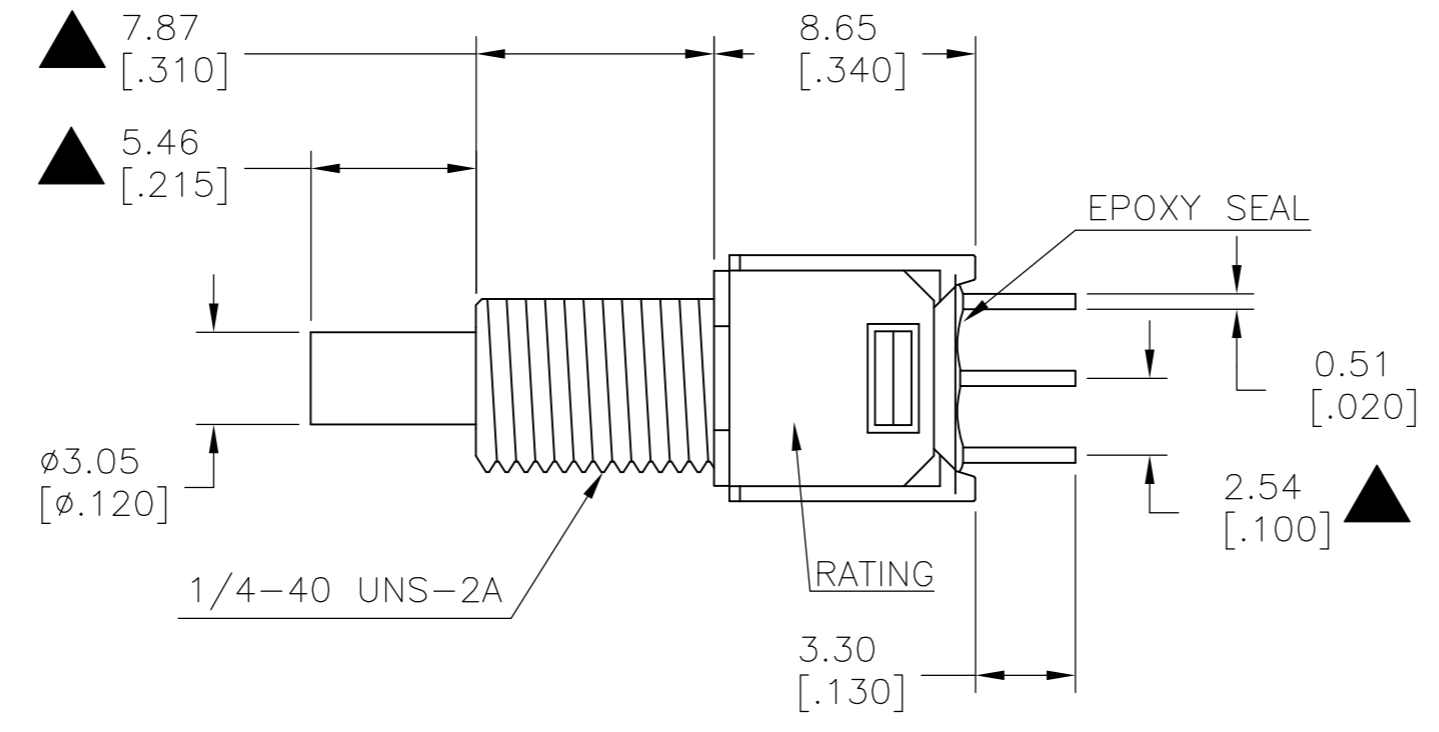
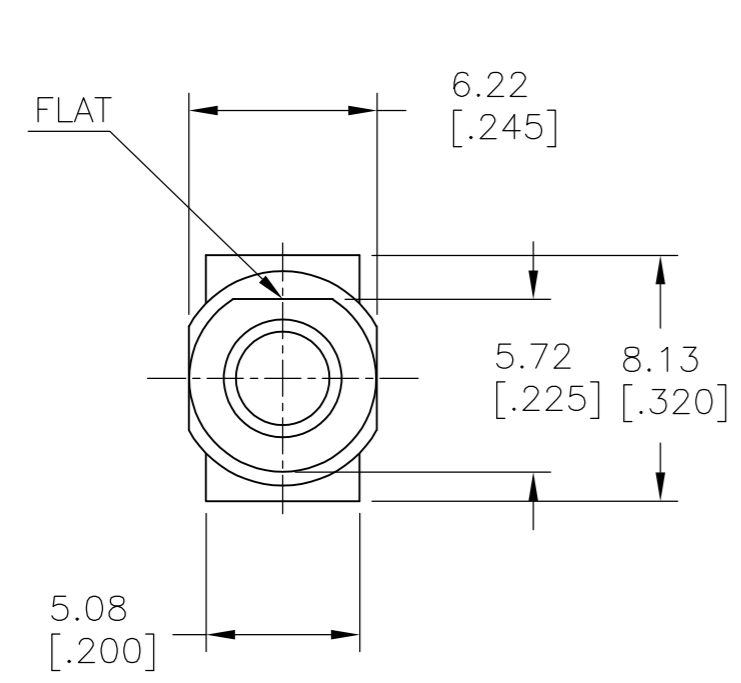


THIS DRAWING IS UNPUBLISHED. RELEASED FOR PUBLICATION  
 © COPYRIGHT - By - ALL RIGHTS RESERVED.

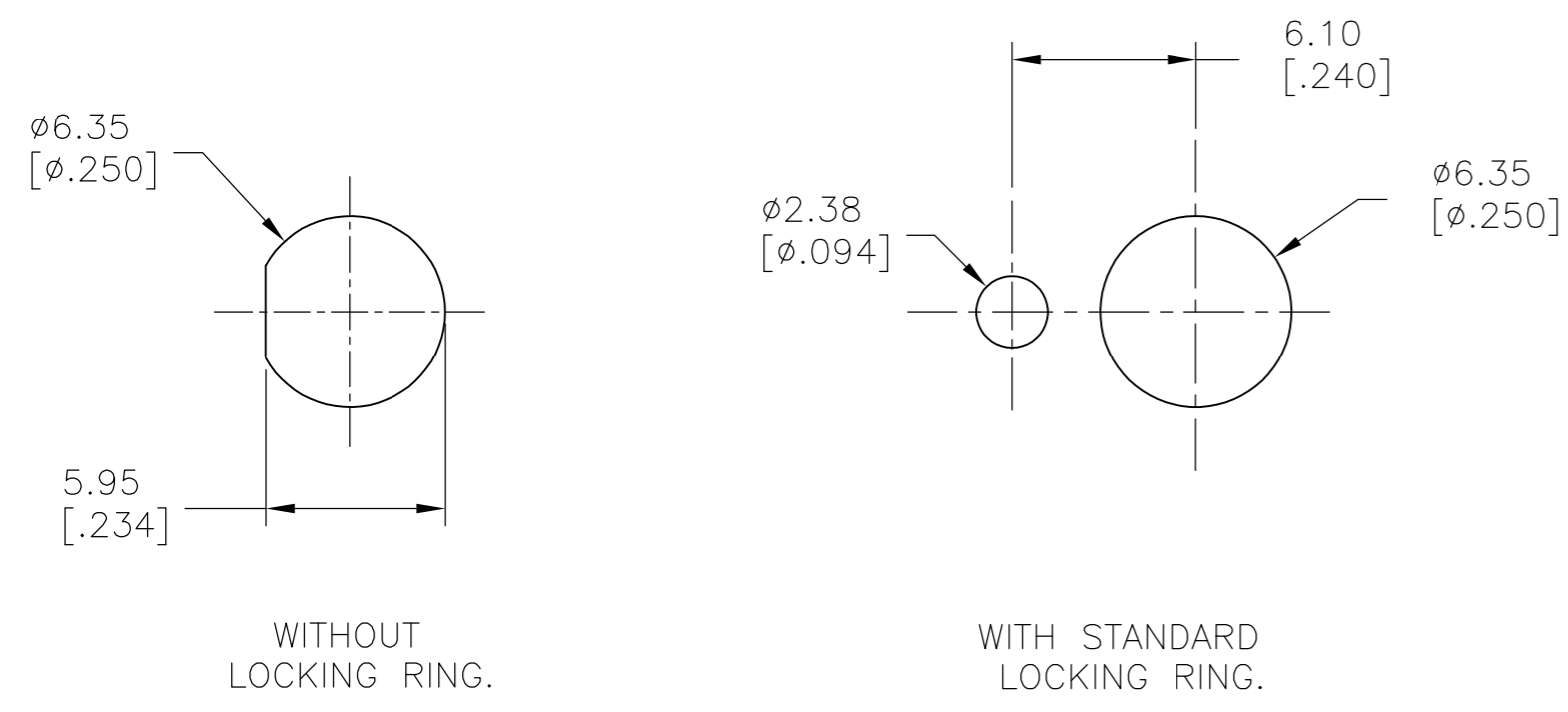
REVISONS		DESCRIPTION	DATE	DWN	APVD
P	LTR				
	A1	REVISED PER ECO-15-014342	07OCT2015	NK	RH



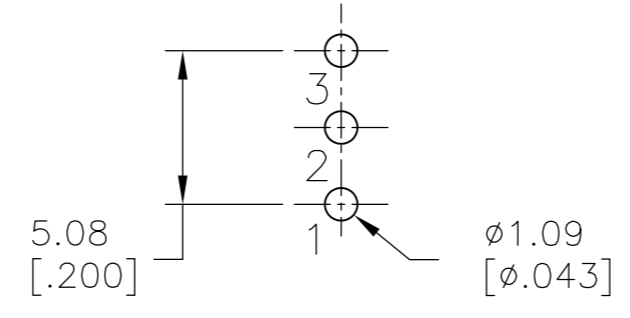
1 HARDWARE SUPPLIED WITH THREADED-BUSHING  
 PARTS ONLY: TE P/N 2213733-3 (NUT) X2  
 P/N 2213733-2 (LOCKING WASHER) X1

MODEL NO.	POS.1	POS.2
PMS9	ON	MOM
TERM. COMM.	2-1	2-3
SCHMATIC		

SWITCH FUNCTION



PANEL MOUNTING



P.C.MOUNTING

LAYOUT FOR PN 2267076-3

SPECIFICATIONS

MECHANICAL LIFE: 50,000 MAKE-AND-BREAK CYCLES.  
 CONTACT RESISTANCE: 20 mΩ MAX. INITIAL @ 2-4VDC  
 100mA FOR BOTH SILVER AND GOLD PLATED CONTACTS.  
 CONTACT RATING: SILVER PLATED: 3A @120 VAC OR 28 VDC, 1A @250 VAC  
 GOLD PLATED: 0.4VA MAX @20 V MAX (AC OR DC)  
 INSULATION RESISTANCE: 1,000 MΩ MIN.  
 DIELECTRIC STRENGTH: 1,000 Vrms MIN.@SEA LEVEL.  
 OPERATING TEMPERATURE: -30°C TO 85°C.

CONTACT MATERIAL	FUNCTION	TERMINATION	MOUNT ANGLE	POLES	THROWS	DESCRIPTIVE PN	TE PN
SILVER	ON-MOM	PC THROUGH HOLE	VERTICAL	1	1	PMS9P1B09M2QE	2267076-4
GOLD	OFF-MOM	PC THROUGH HOLE	VERTICAL	1	1	PMS8P1B09M2RE	2267076-3
GOLD	OFF-MOM	PC THROUGH HOLE	RIGHT ANGLE	1	1	PMS9P1B09M6RE	2267076-2
GOLD	OFF-MOM	PC THROUGH HOLE	VERTICAL	1	1	PMS9P1B09M2RE	2267076-1

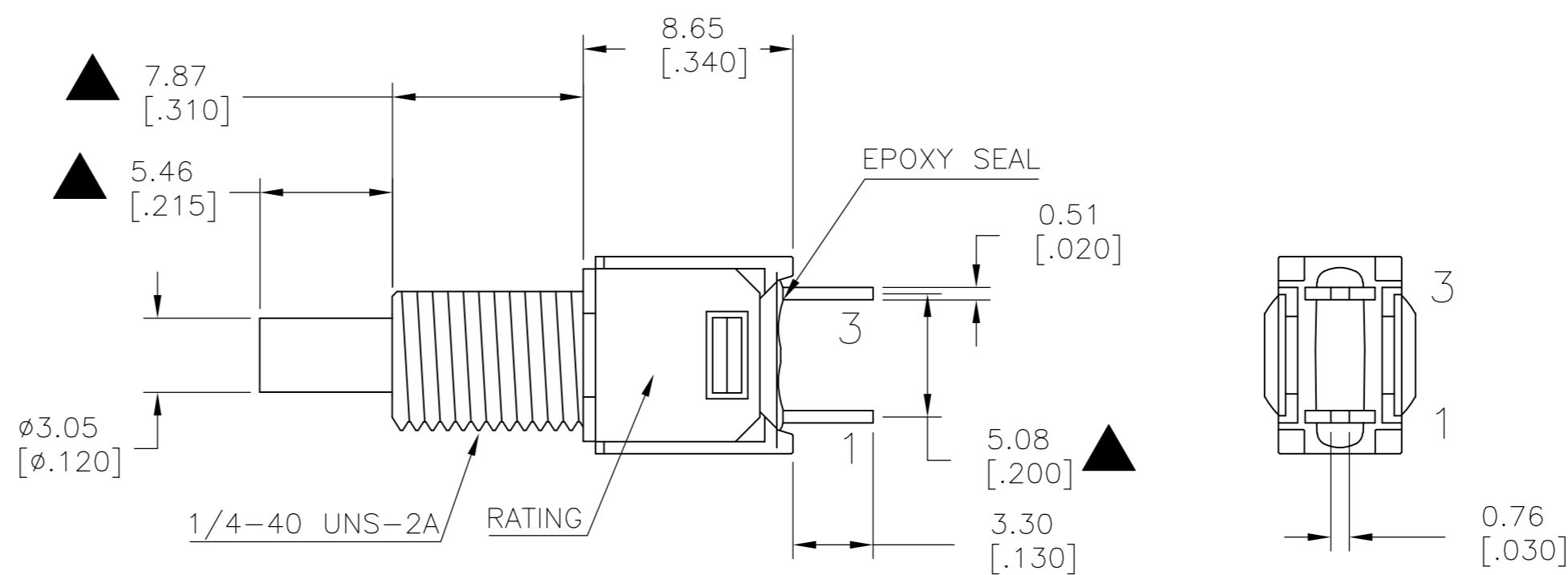
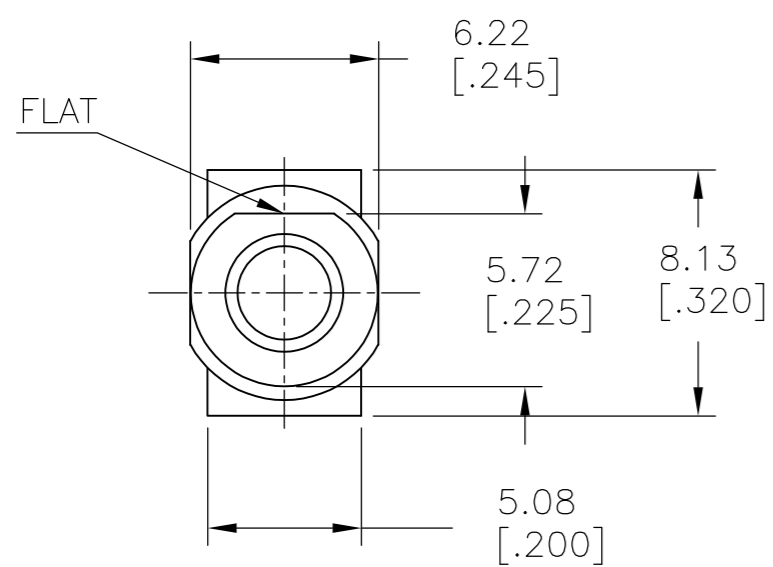
THIS DRAWING IS A CONTROLLED DOCUMENT.

DIMENSIONS: mm [INCHES]	TOLERANCES UNLESS OTHERWISE SPECIFIED:	DWN NAGALAKSHMI K 10JUL2014	CHK HILL, RYAN 10JUL2014	APVD HILL, RYAN 10JUL2014	NAME SUBMINIATURE PUSH BUTTON SWITCH
	0 PLC ± - 1 PLC ± 0.38[.015] 2 PLC ± 0.25[.010] 3 PLC ± - 4 PLC ± - ANGLES ± 5°	PRODUCT SPEC	APPLICATION SPEC	SIZE A2	CAGE CODE 00779
MATERIAL	FINISH	WEIGHT	CUSTOMER DRAWING	DRAWING NO C=2267076	RESTRICTED TO
				SCALE 3:1	SHEET 1 of 4

TE Connectivity

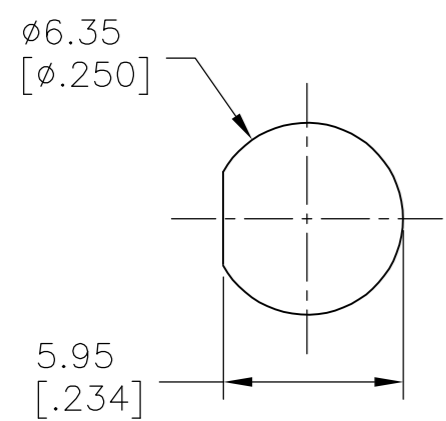
THIS DRAWING IS UNPUBLISHED. RELEASED FOR PUBLICATION  
 © COPYRIGHT - By - ALL RIGHTS RESERVED.

LOC		DIST		REVISIONS			
P	LTR	DESCRIPTION	DATE	DWN	APVD		
-	-	SEE SHEET 1	-	-	-		

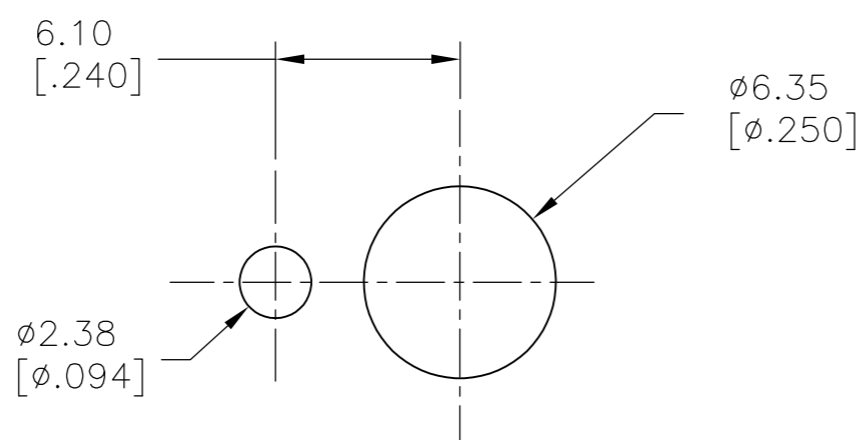


MODEL NO.	POS.1	POS.2
	OFF	MOM
TERM. COMM.	OPEN	
SCHMATIC		

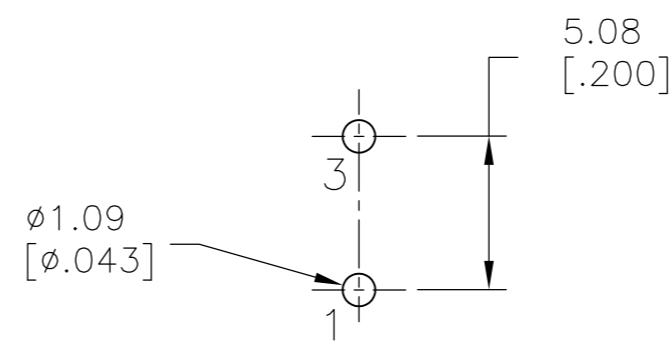
SWITCH FUNCTION



WITHOUT LOCKING RING.



WITH STANDARD LOCKING RING.



P.C.MOUNTING

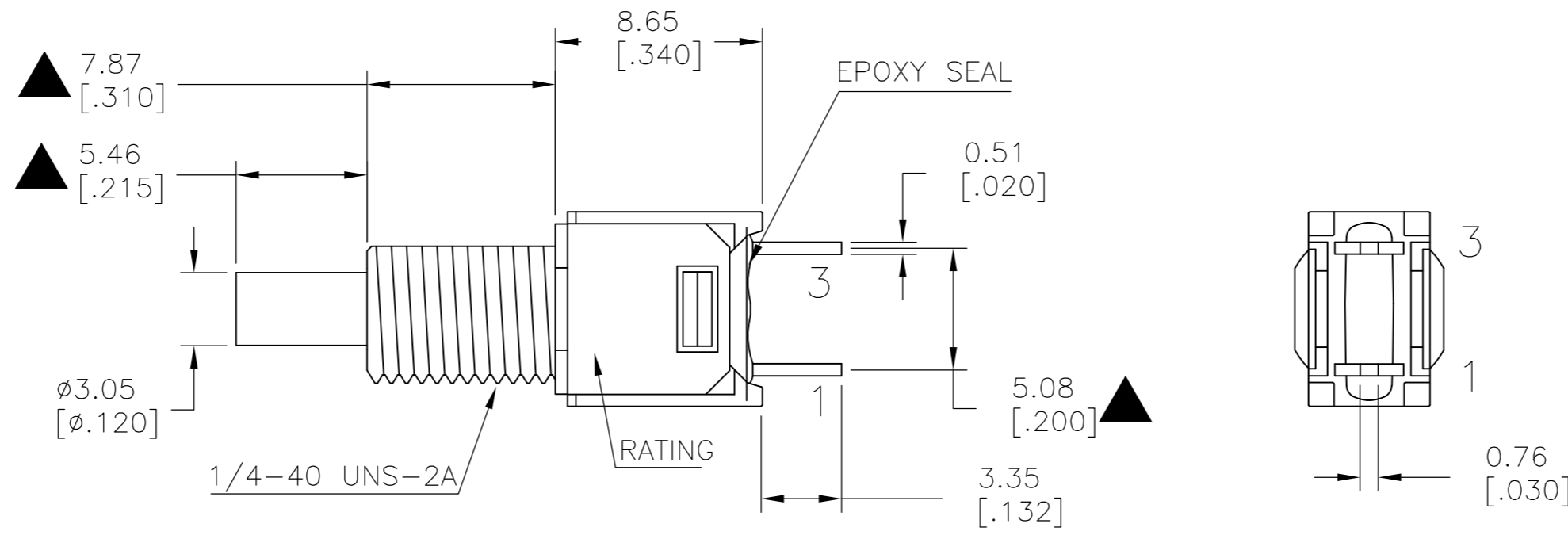
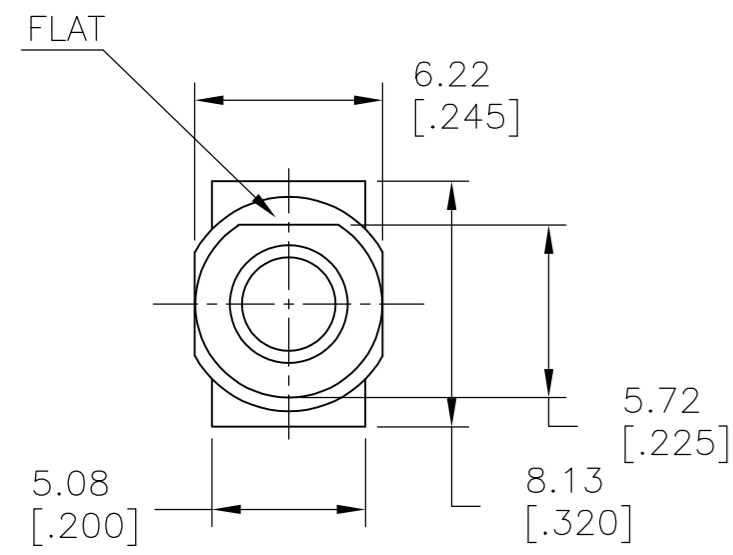
LAYOUT FOR PN 2267076-4

PANEL MOUNTING

THIS DRAWING IS A CONTROLLED DOCUMENT.		DWN NAGALAKSHMI K 10JUL2014		
DIMENSIONS: mm [INCHES]		CHK HILL, RYAN 10JUL2014		
TOLERANCES UNLESS OTHERWISE SPECIFIED:		APVD HILL, RYAN 10JUL2014	NAME SUBMINIATURE PUSH BUTTON SWITCH	
0 PLC ± - 1 PLC ± 0.38[.015] 2 PLC ± 0.25[.010] 3 PLC ± - 4 PLC ± - ANGLES ± 5°		PRODUCT SPEC	RESTRICTED TO	
MATERIAL		FINISH	WEIGHT	SCALE 3:1
-		-	-	SHEET 2 OF 4
CUSTOMER DRAWING		SIZE A2	CAGE CODE 00779	DRAWING NO. C=2267076
		REV A1		

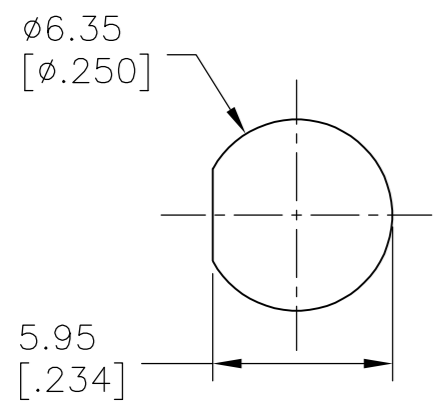
THIS DRAWING IS UNPUBLISHED. RELEASED FOR PUBLICATION  
 © COPYRIGHT - By - ALL RIGHTS RESERVED.

LOC		DIST		REVISIONS			
P	LTR	DESCRIPTION	DATE	DWN	APVD		
-	-	SEE SHEET 1	-	-	-		

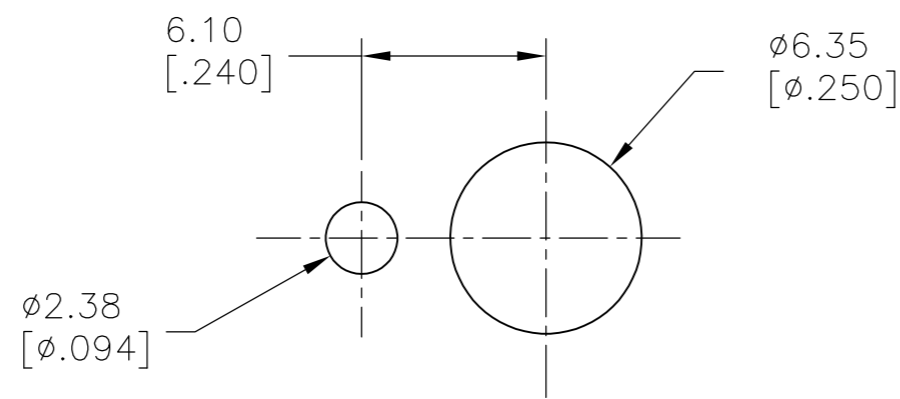


MODEL NO.	POS.1	POS.2
TERM. COMM.	OFF	1-3
SCHEMATIC	OPEN	

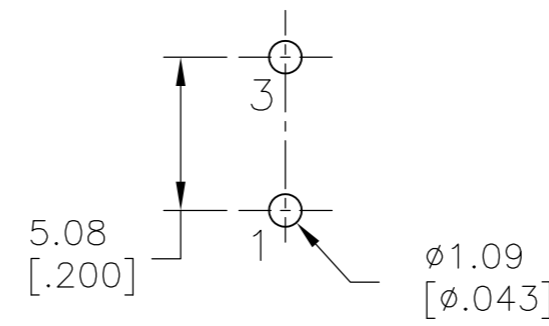
SWITCH FUNCTION



WITHOUT LOCKING RING.



WITH STANDARD LOCKING RING.



P.C.MOUNTING

LAYOUT FOR PN 2267076-1

PANEL MOUNTING

THIS DRAWING IS A CONTROLLED DOCUMENT.		DWN NAGALAKSHMI K 10JUL2014	TE Connectivity	
DIMENSIONS: mm [INCHES]		CHK HILL, RYAN 10JUL2014		
TOLERANCES UNLESS OTHERWISE SPECIFIED:		APVD HILL, RYAN 10JUL2014	NAME SUBMINIATURE PUSH BUTTON SWITCH	
0 PLC ± -		PRODUCT SPEC	SIZE	CAGE CODE
1 PLC ± 0.38[.015]		APPLICATION SPEC	A2	00779
2 PLC ± 0.25[.010]		WEIGHT	DRAWING NO C=2267076	
3 PLC ± -		MATERIAL	RESTRICTED TO	
4 PLC ± -		FINISH	-	
ANGLES ± 5°		CUSTOMER DRAWING		
SCALE 3:1		SHEET 3 of 4		REV A1

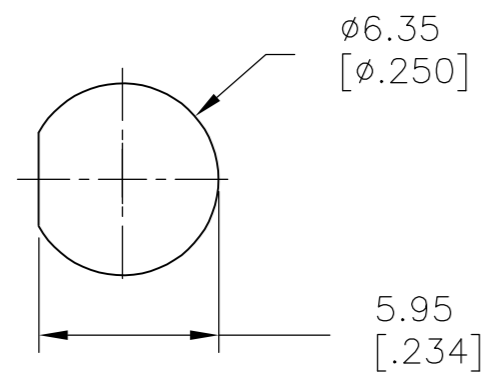
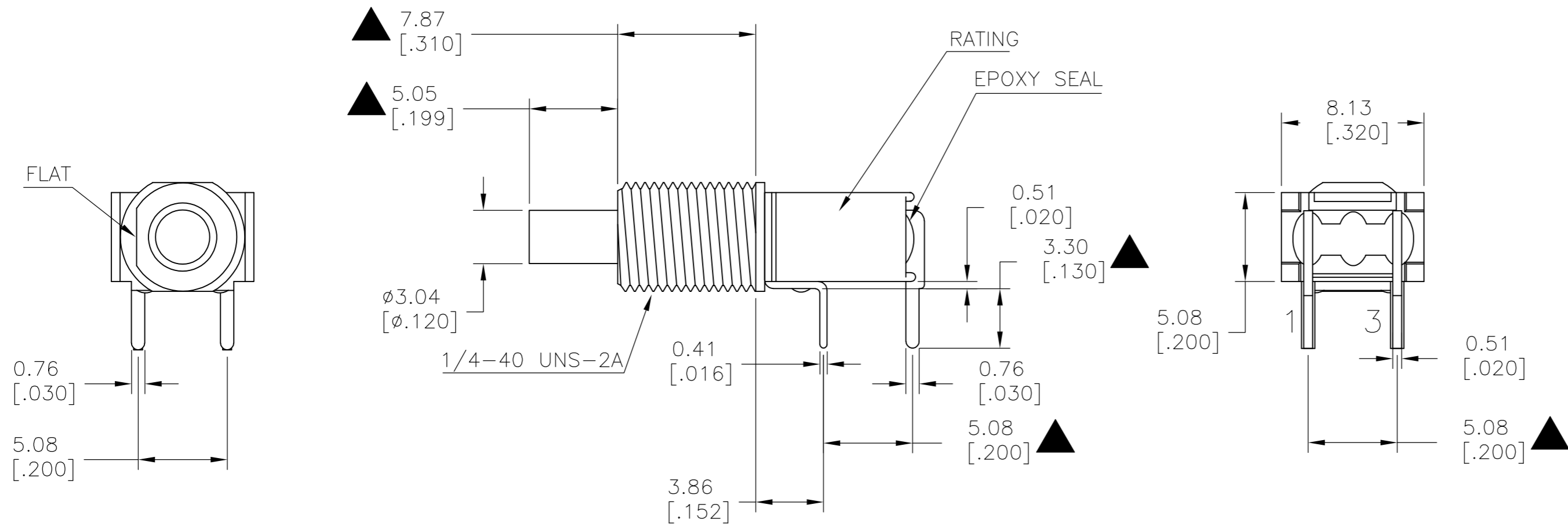
2267076

THIS DRAWING IS UNPUBLISHED. RELEASED FOR PUBLICATION  
 © COPYRIGHT - By - ALL RIGHTS RESERVED.

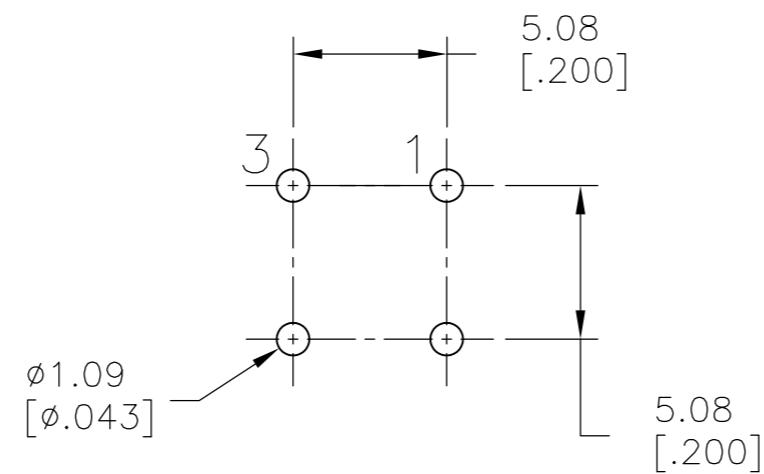
LOC		DIST		REVISIONS			
P	LTR	DESCRIPTION	DATE	DWN	APVD		
-	-	SEE SHEET 1	-	-	-		

MODEL NO.	POS.1	POS.2
PMS9	OFF	MOM
TERM. COMM.	OPEN	1-3
SCHEMATIC		

SWITCH FUNCTION



PANEL MOUNTING



P.C. MOUNTING

LAYOUT FOR PN 2267076-2

THIS DRAWING IS A CONTROLLED DOCUMENT.		DWN NAGALAKSHMI K 10JUL2014	TE Connectivity	
DIMENSIONS: mm [INCHES]		CHK HILL, RYAN 10JUL2014		
TOLERANCES UNLESS OTHERWISE SPECIFIED:		APVD HILL, RYAN 10JUL2014	NAME SUBMINIATURE PUSH BUTTON SWITCH	
0 PLC ± -		PRODUCT SPEC	SIZE A2	
1 PLC ± 0.38 [.015]		APPLICATION SPEC	CAGE CODE 00779	DRAWING NO. C=2267076
2 PLC ± 0.25 [.010]		WEIGHT -	RESTRICTED TO -	
3 PLC ± -		CUSTOMER DRAWING	SCALE 3:1	SHEET 4 OF 4
4 PLC ± -			REV A1	
ANGLES ± 5°				
FINISH -				