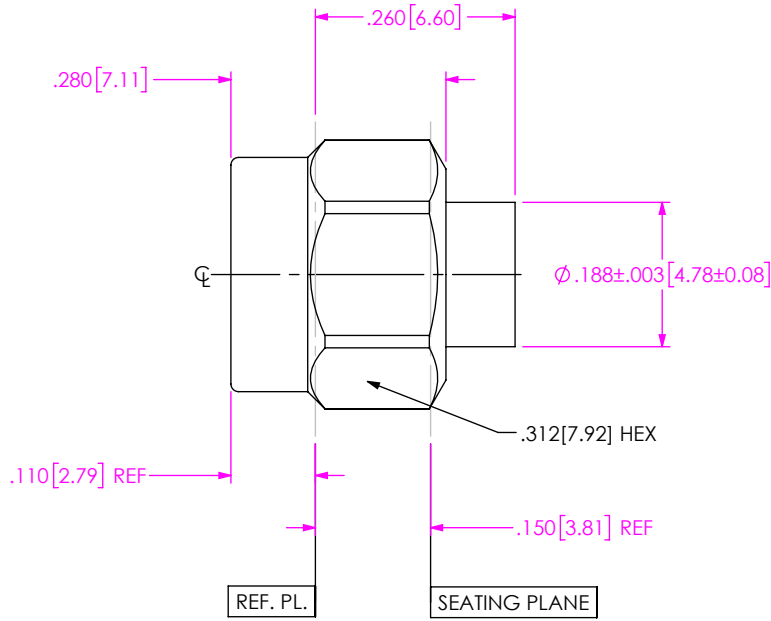


DO NOT SCALE FROM THIS PRINT

DESIGNED & DIMENSIONED IN INCHES[MILLIMETERS]



PRF92-P-C-EE-402-SD

SERIES
-92: 2.92mm

GENDER
-P: PLUG

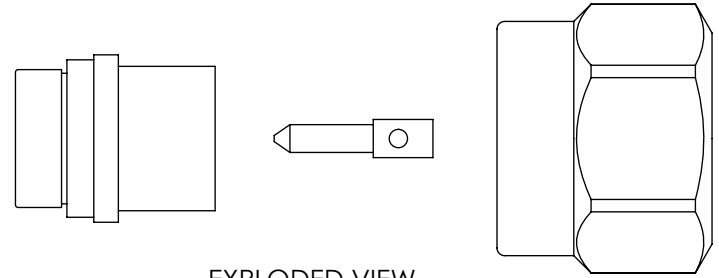
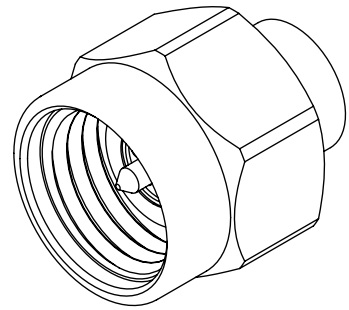
TYPE
-C: CABLE

TERMINATION
D: DIRECT SOLDER

ORIENTATION
-S: STRAIGHT

CABLE TYPE
-402: RG-402 SEMI-RIGID

FINISH
-EE: 50µ" EXTRA HEAVY GOLD CENTER CONTACT, 50µ" EXTRA HEAVY GOLD OUTER CONTACT



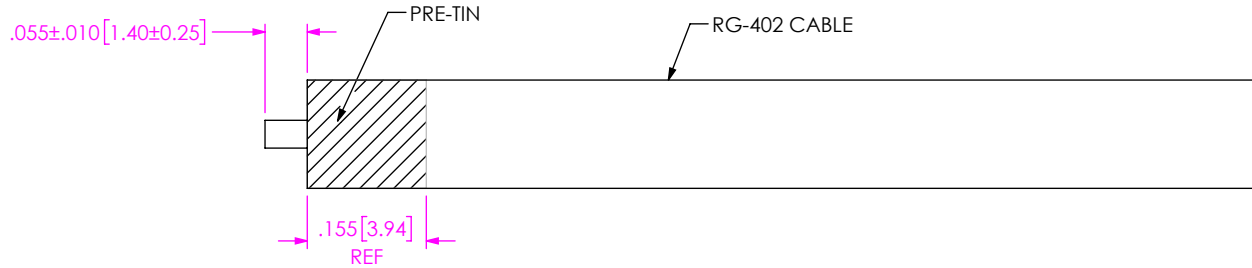
EXPLODED VIEW
NOT TO SCALE
(FOR CLARITY ONLY)

- NOTES:
- MATERIAL:**
COUPLING NUT: STAINLESS STEEL
BODY, CONTACT: BERYLLIUM COPPER
BEAD: PEI
GASKET: SILICONE RUBBER
 - FINISH:**
BODY, CONTACT, COUPLING NUT: 50µ" MIN. GOLD OVER 50µ" MIN. NICKEL PLATE
 - PCI P/N: 3208

F:\DWG\MISC\MKTG\PRF92-P-C-EE-402-SD-MKT.SLDDRW

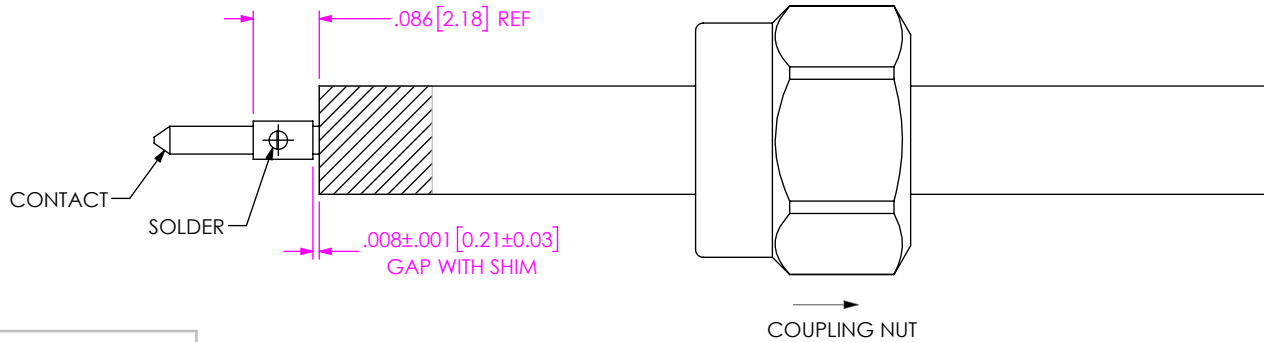
UNLESS OTHERWISE SPECIFIED, DIMENSIONS ARE IN INCHES. TOLERANCES ARE: DECIMALS ANGLES .XX: ±.02[0.5] .XXX: ±.005[0.13] .XXXX: ±.0005[0.013]	* PROPRIETARY NOTE THIS DOCUMENT CONTAINS CONFIDENTIAL AND PROPRIETARY INFORMATION AND ALL DESIGN, MANUFACTURING, REPRODUCTION, USE, PATENT RIGHTS AND SALES RIGHTS ARE EXPRESSLY RESERVED BY SAMTEC, INC. THIS DOCUMENT SHALL NOT BE DISCLOSED, IN WHOLE OR PART, TO ANY UNAUTHORIZED PERSON OR ENTITY NOR REPRODUCED, TRANSFERRED OR INCORPORATED IN ANY OTHER PROJECT IN ANY MANNER WITHOUT THE EXPRESS WRITTEN CONSENT OF SAMTEC, INC.	
		520 PARK EAST BLVD, NEW ALBANY, IN 47150 PHONE: 812-944-6733 FAX: 812-948-5047 e-Mail: info@SAMTEC.com code 55322
		DESCRIPTION: 2.92MM PLUG DIRECT SOLDER TO RG-402 CABLE DWG. NO. PRF92-P-C-EE-402-SD BY: CANDY W 04/29/2019 SHEET 1 OF 2

CABLE APPLICATION VIEWS



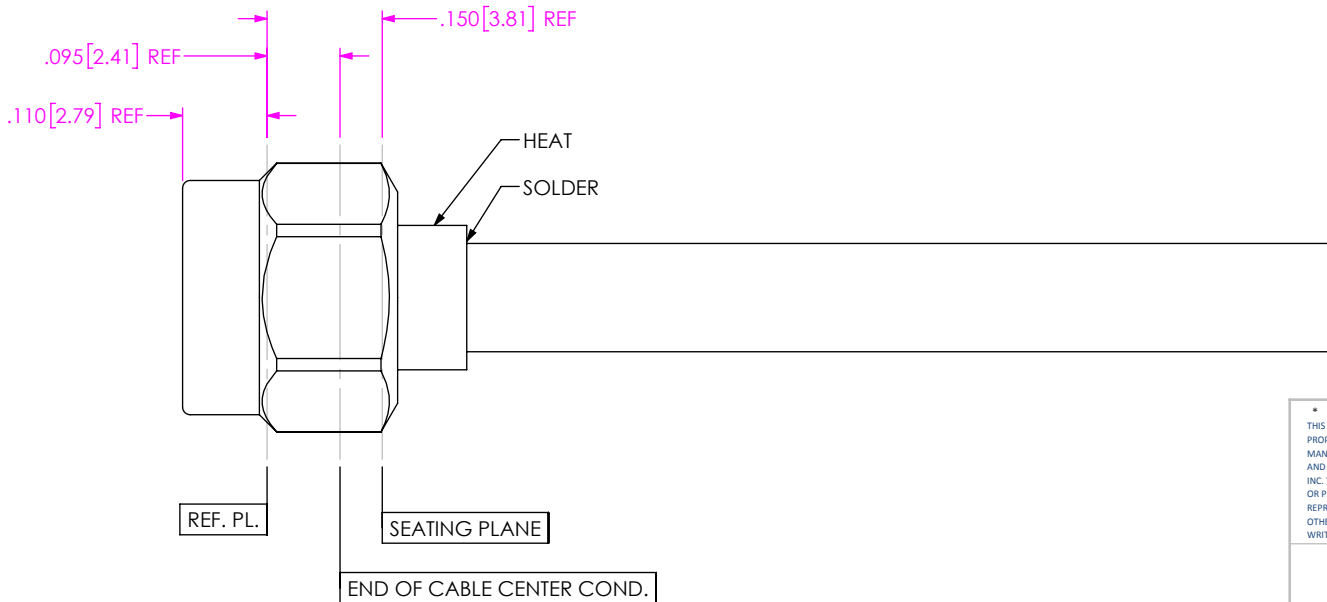
IN-PROCESS VIEW 1

- 1A. PRE-TIN CABLE OVER LENGTH SHOWN.
- 1B. TRIM CABLE TO EXPOSE CENTER CONDUCTOR TO DIMENSION SHOWN (DO NOT SCORE CENTER CONDUCTOR).



IN-PROCESS VIEW 2

- 2A. SLIDE COUPLING NUT OVER CABLE AS SHOWN.
- 2B. SOLDER CONTACT TO CABLE CENTER CONDUCTOR WITH GAP INDICATED.



IN-PROCESS VIEW 3

- 3A. APPLY HEAT TO BODY TAIL HEX WHERE SHOWN AND INSERT CABLE INTO CONNECTOR SUB-ASSEMBLY UNTIL FULLY SEATED. FLOW ADDITIONAL SOLDER WHERE SHOWN IF REQUIRED.
- 3B. MOVE THE COUPLING NUT FORWARD UNTIL FULLY SEATED.

DISTANCE FROM END OF CABLE CENTER COND. TO REF. PL. IS $.095$ (REF.)

PROPRIETARY NOTE
THIS DOCUMENT CONTAINS CONFIDENTIAL AND PROPRIETARY INFORMATION AND ALL DESIGN, MANUFACTURING, REPRODUCTION, USE, PATENT RIGHTS AND SALES RIGHTS ARE EXPRESSLY RESERVED BY SAMTEC, INC. THIS DOCUMENT SHALL NOT BE DISCLOSED, IN WHOLE OR PART, TO ANY UNAUTHORIZED PERSON OR ENTITY NOR REPRODUCED, TRANSFERRED OR INCORPORATED IN ANY OTHER PROJECT IN ANY MANNER WITHOUT THE EXPRESS WRITTEN CONSENT OF SAMTEC, INC.



520 PARK EAST BLVD, NEW ALBANY, IN 47150
PHONE: 812-944-6733 FAX: 812-948-5047
e-Mail: info@SAMTEC.com code 55322

DO NOT SCALE DRAWING

SHEET SCALE: 4:1

DESCRIPTION: 2.92MM PLUG DIRECT SOLDER TO RG-402 CABLE

DWG. NO. PRF92-P-C-EE-402-SD

BY: CANDY W 04/29/2019 SHEET 2 OF 2