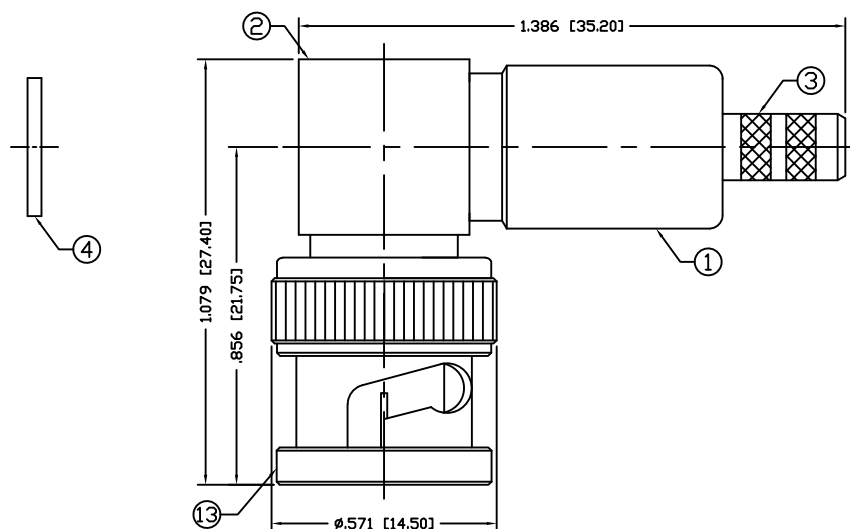


PART NO.

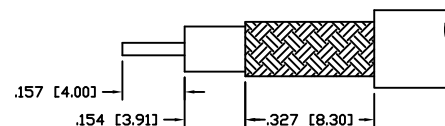
**RFB-1110-C1ST**

REV	DESCRIPTION	DWN	DATE	APPROVED
A	ADDED STRIPPING DIMENSIONS	CZS	06/12/08	JDMc



RECOMMENDED CRIMP DIE: .213"

RECOMMENDED CRIMP DIE: .068"



RECOMMENDED STRIPPING DIMENSIONS

**SPECIFICATIONS:**

IMPEDANCE: 50 Ohms  
 FREQUENCY RANGE: 0-4 GHz  
 WORKING VOLTAGE: 500 V rms @ sea level  
 TEMPERATURE RANGE: -65°C TO 85°C  
 INSULATION RESISTANCE: 5k M Ohms min.  
 FOR RG-55, 55A, 55B, 142, 142A, 142B, 223 & 400/U,  
 ALPHA 9055, 9055B, 9223, BELDEN 8219, 83242 & 84142

15	FERRULE	1	BRASS	SILVER, 5 $\mu$ "
14	PIN	1	BRASS	GOLD, 3 $\mu$ "
13	SHELL	1	BRASS	SILVER, 5 $\mu$ "
12	GASKET	1	RUBBER	---
11	LOCK WASHER	1	BRASS	SILVER, 5 $\mu$ "
10	SPRING	1	SK-5	SILVER, 5 $\mu$ "
9	WASHER	1	BRASS	SILVER, 5 $\mu$ "
8	DIELECTRIC	1	PTFE	---
7	DIELECTRIC	1	PTFE	---
6	PIN	1	BRASS	GOLD, 3 $\mu$ "
5	PIN	1	BRASS	GOLD, 3 $\mu$ "
4	PRESS CAP	1	BRASS	SILVER, 5 $\mu$ "
3	FERRULE STUD	1	BRASS	SILVER, 5 $\mu$ "
2	BODY	1	BRASS	SILVER, 5 $\mu$ "
1	BODY	1	BRASS	SILVER, 5 $\mu$ "
#	DESCRIPTION	QTY	MATERIAL	FINISH

CUSTOMER  
OUTLINE DRAWINGALL DIMENSIONS  
ARE REFERENCE ONLYUNLESS OTHERWISE SPECIFIED:  
DIMENSIONS ARE IN INCHES  
AND [MILLIMETERS]DRAWN  
C. ZUNIGA 06/12/08

CHECKED

ORJ DRAWN  
C. ZUNIGA 03/10/08**RoHS  
COMPLIANT**

PROPRIETARY AND CONFIDENTIAL  
 THIS DRAWING CONTAINS  
 INFORMATION PROPRIETARY TO  
 RF INDUSTRIES. ANY  
 UNAUTHORIZED USE OF THIS  
 DRAWING IS EXPRESSLY  
 PROHIBITED WITHOUT WRITTEN  
 PERMISSION FROM RF  
 INDUSTRIES. ANY VIOLATION IS  
 PUNISHABLE UNDER U.S.  
 COPYRIGHT LAWS.

**RFconnectors**  
DIVISION OF RF INDUSTRIES, LTD.

7610 MIRAMAR RD.  
 SAN DIEGO, CA 92126  
 (858) 549-6340  
 (858) 549-6345 FAX

**BNC PLUG CRIMP**  
RIGHT ANGLE

CABLE GROUP	DWG NO.	REVISION	
C1	<b>RFB-1110-C1ST</b>	A	
FORMAT	SCALE	ENGINEERING ID	SHEET
A	NTS	N/A	1 OF 1