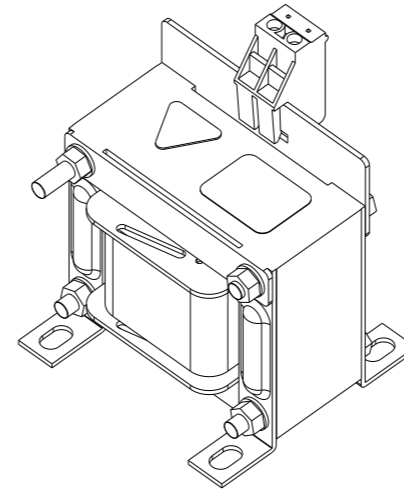
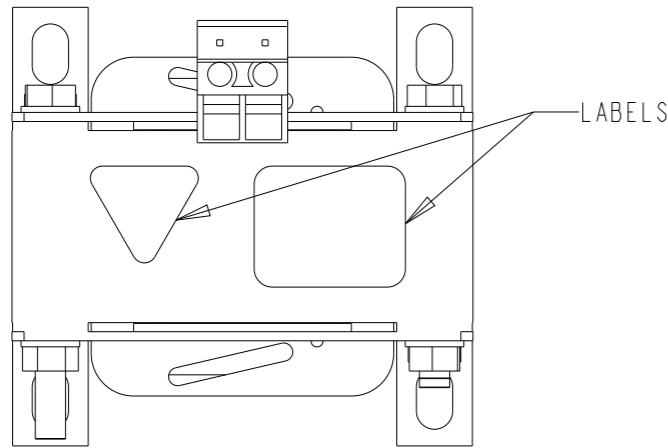
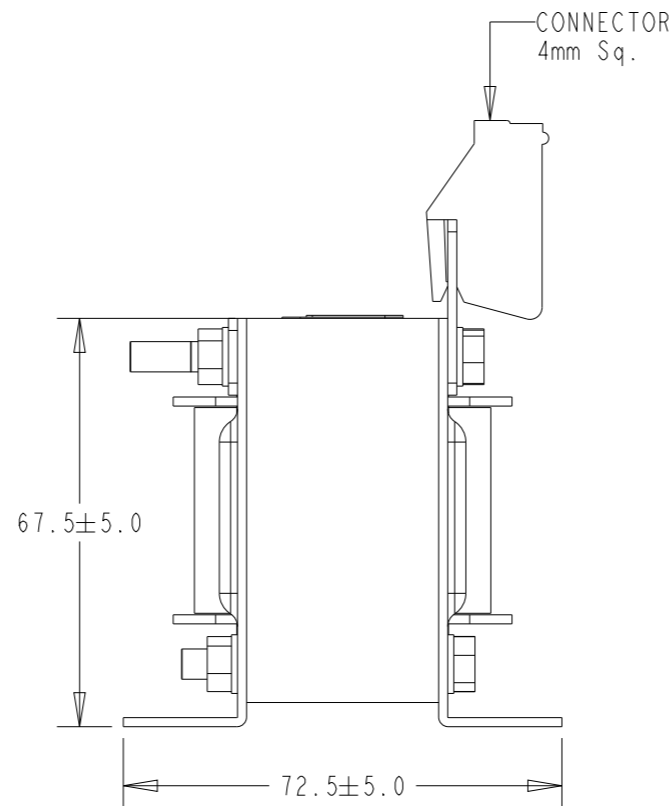
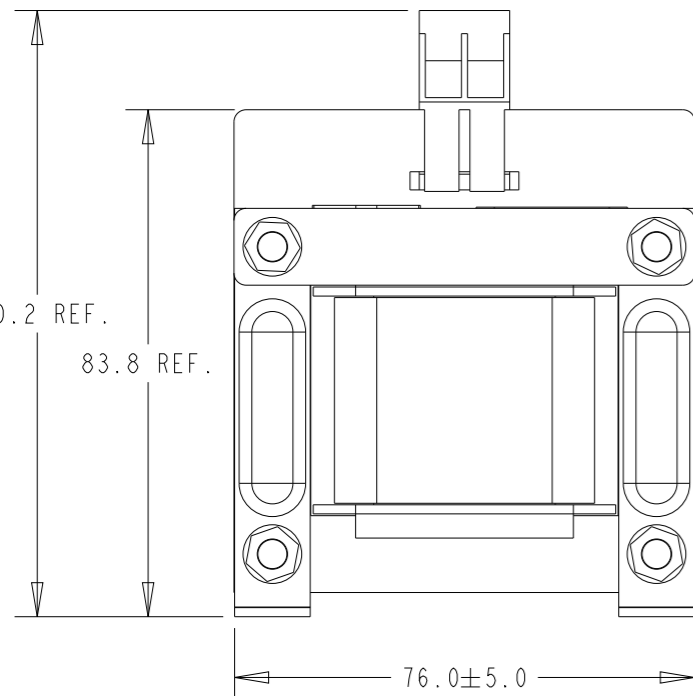


REVISIONS

| P | LTR | DESCRIPTION | DATE | DWN | APVD |
|---|-----|-------------------------|-----------|-----|------|
| | A | RELEASED FOR PRODUCTION | 10FEB2023 | DM | CB |
| | AI | ADDING PRODUCT DATA | 07MAR2023 | DM | CB |
| | | | | | |
| | | | | | |



| | |
|-------------------------------------|--------------------------------------|
| NOMINAL OPERATING VOLTAGE (VAC) | 230 |
| RATED OPERATING VOLTAGE (VAC) | 250 |
| FREQUENCY (Hz) | 50 / 60 |
| RATED CURRENT (AMPS) | 8 |
| OP. TEMP. RANGE @ RATED CURRENT | -45°C to +45°C |
| RATED POWER @ 230VAC (kW) | 1.66 |
| RATED POWER @ 230VAC (HP) | 2.22 |
| IMPEDANCE @ 230VAC (%) | 4 |
| INDUCTANCE, NOMINAL (mH) | 3.661 |
| POWER OVERLOAD, 1 MINUTE EVERY HOUR | 1.6 |
| VOLTAGE WITHSTAND 1 MINUTE (kVAC) | 2 |
| POLLUTION DEGREE | PD2 |
| COOLING | NATURAL |
| PROTECTION CLASS | IP00 |
| INSULATION CLASS | N |
| STORAGE TEMPERATURE RANGE (°C) | -45°C to +100°C |
| CLIMATIC CATEGORY | 45/100/21 |
| DESIGN CORRESPONDING TO | EN61558-2-20, EN60076-6, UL61800-5-1 |



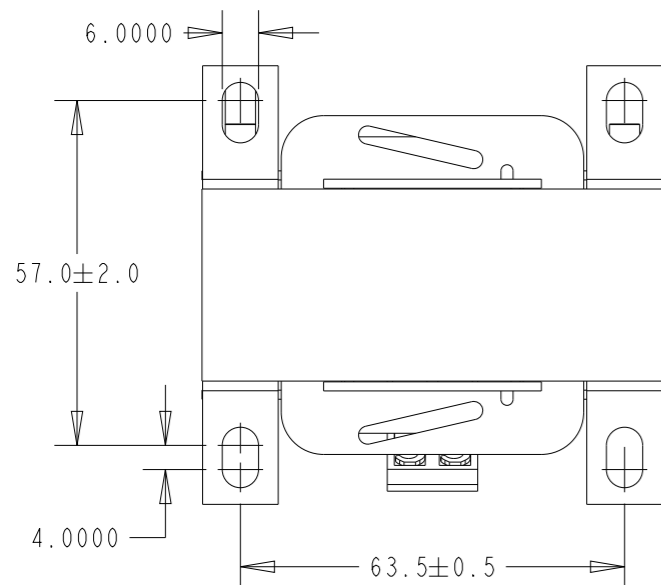
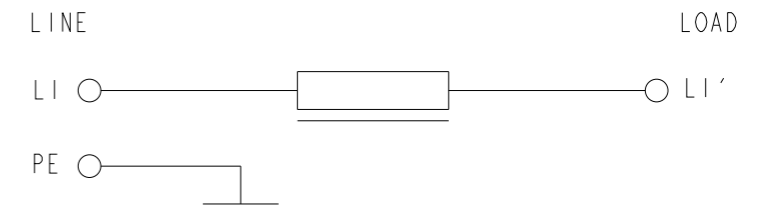
PRODUCT DESIGN NOTE

DESIGN IN ACCORDANCE WITH UL 508


DE-RATING FORMULAE FOR OPERATION ABOVE 45°C AMBIENT CONDITIONS:

$$I = I_n \sqrt{\frac{100 - T_{a\ new}}{100 - 45}}$$

TYPICAL CIRCUIT DIAGRAM



ROHS COMPLIANT

| | | | | |
|--|--|------------------------------|--|-------------|
| THIS DRAWING IS A CONTROLLED DOCUMENT. | | DWN C. BOLLE 05OCT2022 |  TE Connectivity | |
| DIMENSIONS: mm | | CHK C. BOLLE 05OCT2022 | | |
| TOLERANCES UNLESS OTHERWISE SPECIFIED: | | APVD L. RAJ 05OCT2022 | NAME RPO-1-8 SINGLE LINE REACTOR | |
| 0 PLC ±- | | PRODUCT SPEC | - | |
| 1 PLC ±0.1 | | APPLICATION SPEC | - | |
| 2 PLC ±0.01 | | WEIGHT | - | |
| 3 PLC ±0.001 | | CUSTOMER DRAWING | - | |
| 4 PLC ±0.0001 | | SCALE | 1:1 | |
| ANGLES ±- | | FINISH | - | |
| MATERIAL | | SIZE | CAGE CODE | DRAWING NO |
| - | | A3 | 00779 | ©-2432408-4 |
| - | | RESTRICTED TO | | - |
| - | | SHEET | | OF |
| - | | REV | | AI |