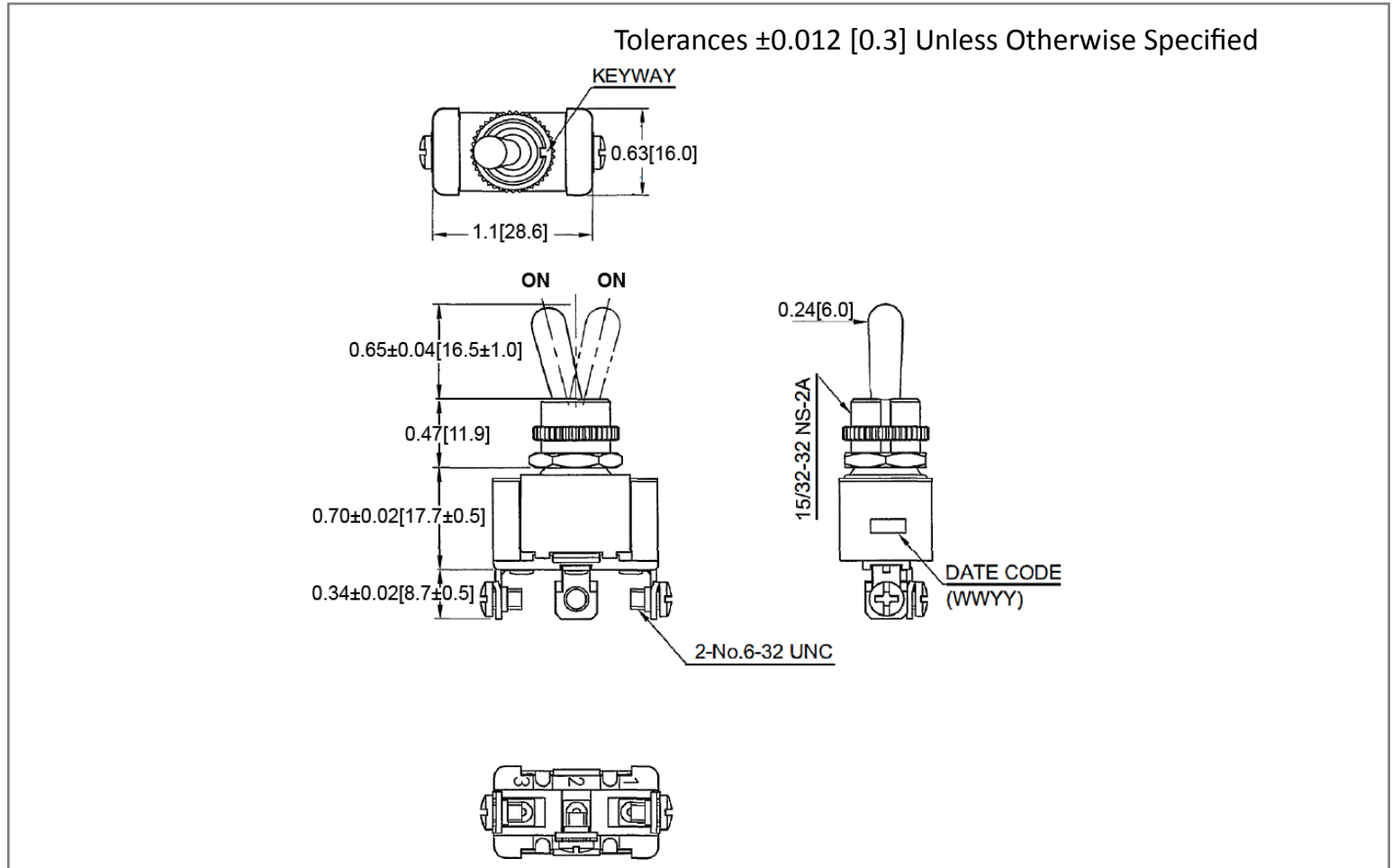
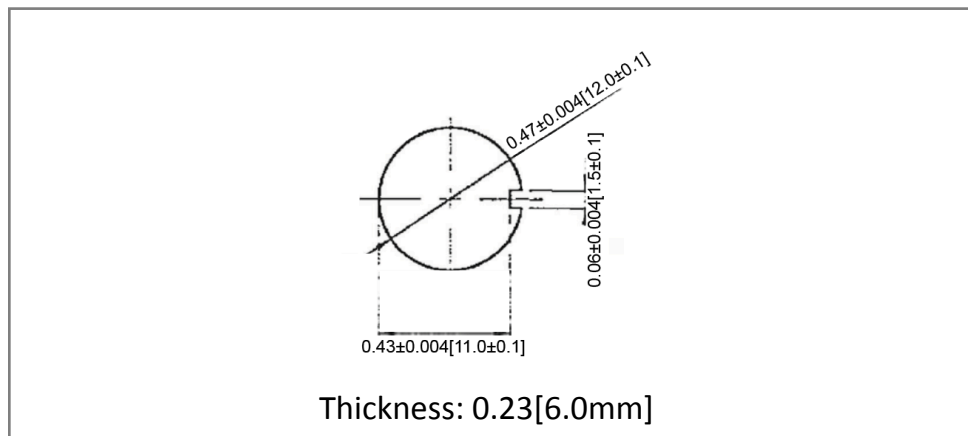


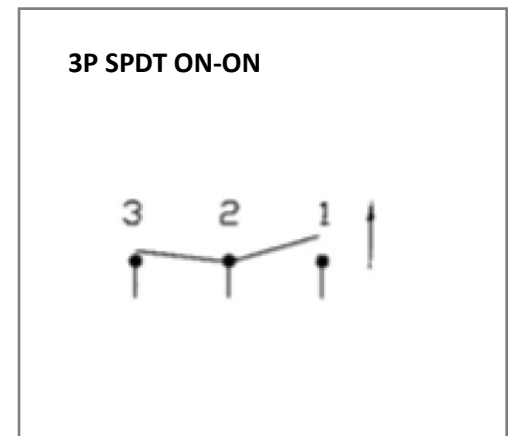
## Mechanical Dimensions: Inches [mm]



## Mounting Hole



## Circuit Diagram



## Electrical Specifications

Rating	21A 14V DC
Contact Resistance	50m ohm Max
Insulation Resistance	DC 500V 100M ohm Min
Dielectric Strength	AC 1500V 1 minute
Operation Temperature	-20°C ~ 85°C

## Material Specifications

Operation Force	700gf $\pm$ 250 gf
	1 hex nut assy
	1 knurl nut assy
	1 Internal O-Ring

**Rev**    **Date of issue**    **Revision Notes**

**Designed**    **Approved**

B	02-26-2020	Initial Drawing	RC	OF
---	------------	-----------------	----	----