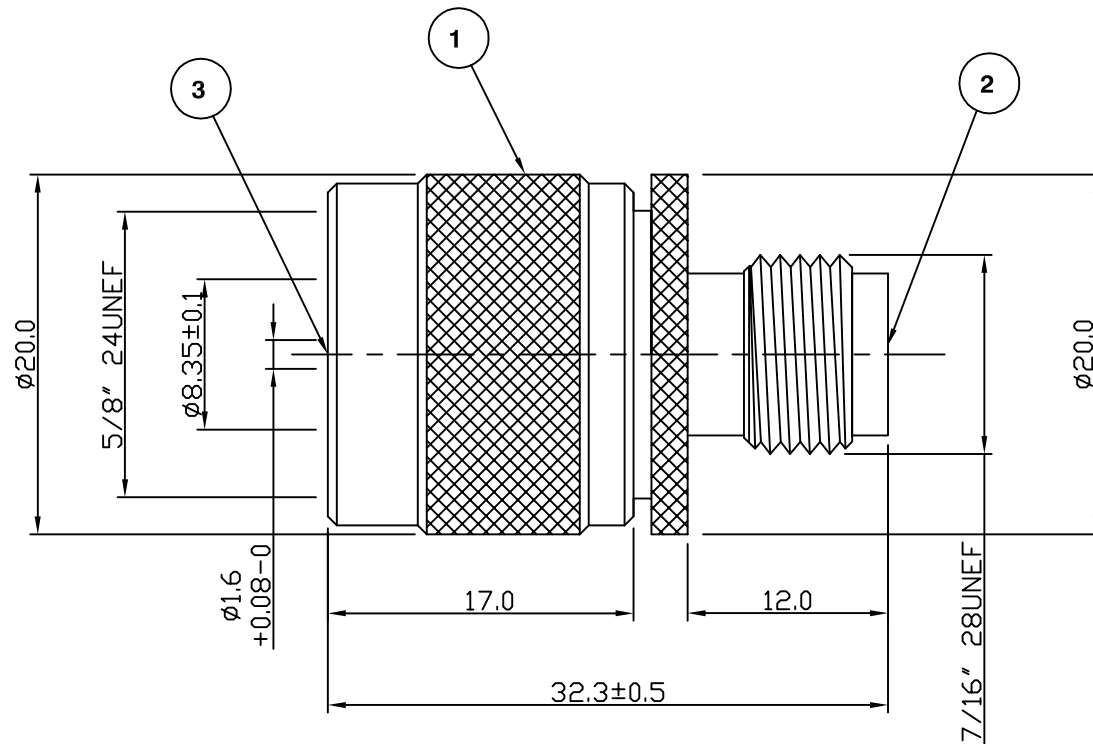


RoHS COMPLIANT



**Electrical Characteristics**

Nominal Impedance:	50 ohms
Frequency Range:	DC to 4 GHz
VSWR:	1.3:1 maximum
Insertion Loss:	0.2 dB at 4 GHz
Operating Voltage (rms):	500 V maximum at sea level
Dielectric Withstand Voltage (rms):	1500 V maximum at sea level
Contact Resistance:	3.0 milliohms maximum
Insulation Resistance:	5000 megohms minimum

**Mechanical Characteristics**

Mating Cycles:	500 cycles minimum
Interface Dimensions:	Conform to MIL-C-39012

**Environmental Characteristics**

Temperature Range:	-40 °C to +80 °C
--------------------	------------------

PART	DESCRIPTION
1	Body Brass, nickel plated
2	Insulator POM
3	Insulator POM
4	Contact Brass, gold plated

DESCRIPTION OF REVISION	APPVD	ISS	DATE
Drawing Update	JT	3	04 June 10
CAD Issue	SN	2	05 Nov 01
First Issue	PDC	1	15 March 01



Cinch Connectivity Solutions  
7-13 Russel Way,  
Widford Industrial Estate,  
Chelmsford, Essex,  
CM1 3AA, UK.  
Tel: +44 (0) 1245 359515  
Fax: +44 (0) 1245 358938

SCALE: Not To Scale

DIMENSIONS: mm

TOLERANCES:  
± 0.2mm unless  
otherwise stated

DRAWN BY:

S Nash

CHECKED BY:

P Couzens

APPROVED BY:

R Drennan

DATE:

05 Nov 01

TITLE:

N Plug to TNC Jack

PART NUMBER:

VA208

PAGE: 1 of 1