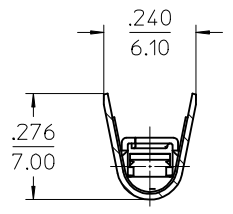
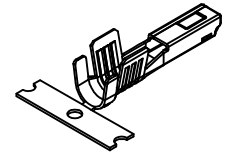
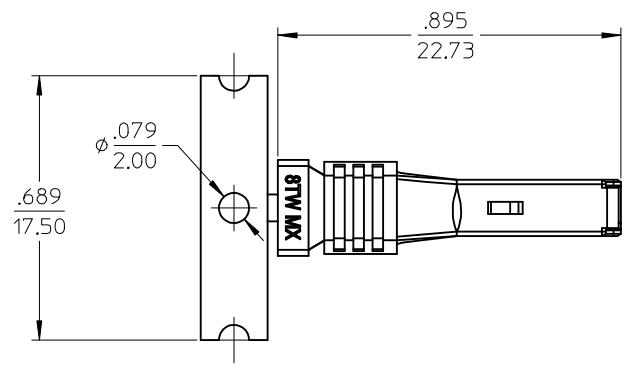
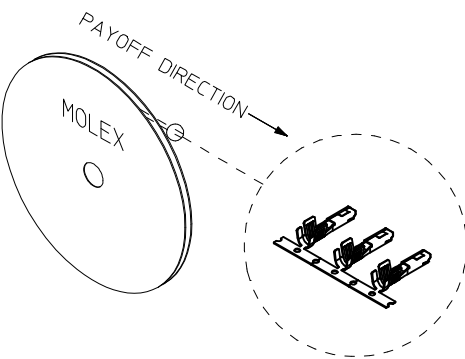
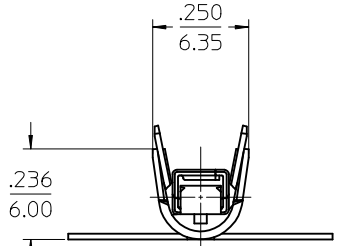


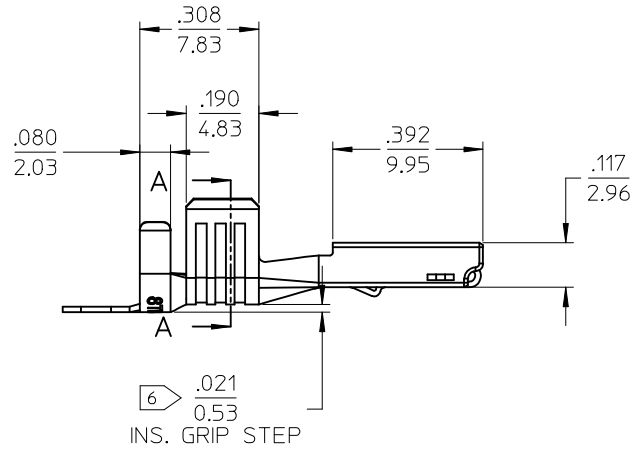
STRIP MATERIAL NUMBER	LOOSE PIECE MATERIAL NUMBER	AWG SIZE	WIRE INSULATION DIAMETER
194340005	194340006	8 TW	.153-.191* (3.90-4.85MM)



SECTION A-A
CONDUCTOR GRIP



INSULATION GRIP



- NOTES:
- MATERIAL: COPPER ALLOY.
 - FINISH: PREPLATED AND REFLOWED OVERALL. 100μ TIN OVER 50μ NICKEL, MINIMUM.
 - TERMINALS NOT FOR USE WITH 19432**** RECEPTACLE HOUSINGS.
 - PACKAGING SPECIFICATION: PK-19434-001 FOR LOOSE TERMINALS. STRIP PARTS ARE REELED 2000 TERMINALS PER REEL. (B)
 - APPLICATION TOOLING AND CRIMP SPECIFICATIONS: CONSULT FACTORY
 - INSULATION GRIP STEP DIMENSION NOT TO BE ALTERED BY CRIMP PROCESS.
 - ALL DIMENSIONS ARE REFERENCE.

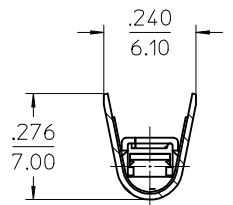
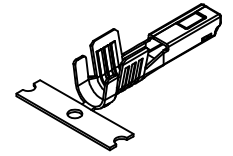
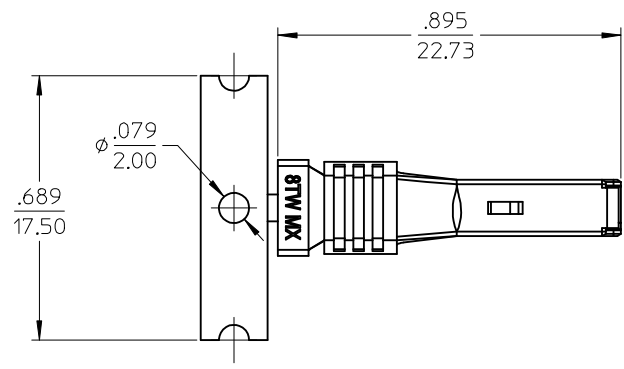
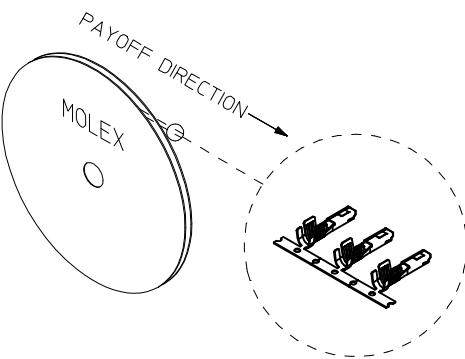
CHG REEL QTY FROM 2500	EC NO: IPG2015-0205	DRWN:WLEUNG 2014/07/31	CHKD:WLOJEGE 2014/07/31	APPR:BWODMAN 2014/08/12
REV	DESCRIPTION			

QUALITY SYMBOLS	GENERAL TOLERANCES (UNLESS SPECIFIED)
▽=0	mm INCH
▽=0	4 PLACES ± --- ± ---
	3 PLACES ± --- ± 0.10
	2 PLACES ± 0.25 ± .02
	1 PLACE ± 0.5 ± ---
	0 PLACE ± --- ± ---
	ANGULAR ± 3°
	DRAFT WHERE APPLICABLE MUST REMAIN WITHIN DIMENSIONS

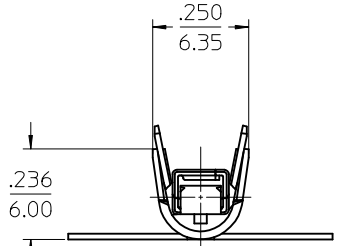
DIMENSION STYLE		SCALE	DESIGN UNITS	THIRD ANGLE PROJECTION
IN/MM		4:1	INCH	
DRAWN BY	DATE	TITLE		
WLEUNG	2012/11/26	MX150L FEMALE TERMINAL		
CHECKED BY	DATE	8AWG TW		
BRUPERT	2013/09/06	(THIN WALL INSULATION)		
APPROVED BY	DATE			
JFMURPHY	2013/12/26			
MATERIAL NO.	DOCUMENT NO.	SHEET NO.		
SEE CHART	SD-19434-002	1 OF 1		

THIS DRAWING CONTAINS INFORMATION THAT IS PROPRIETARY TO MOLEX INCORPORATED AND SHOULD NOT BE USED WITHOUT WRITTEN PERMISSION

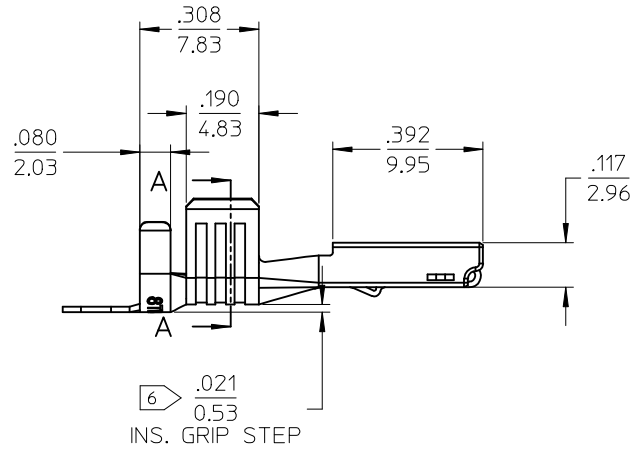
STRIP MATERIAL NUMBER	LOOSE PIECE MATERIAL NUMBER	AWG SIZE	WIRE INSULATION DIAMETER
194340005	194340006	8 TW	.153-.191* (3.90-4.85MM)



SECTION A-A
CONDUCTOR GRIP



INSULATION GRIP



- NOTES:
- MATERIAL: COPPER ALLOY.
 - FINISH: PREPLATED AND REFLOWED OVERALL. 100μ TIN OVER 50μ NICKEL, MINIMUM.
 - TERMINALS NOT FOR USE WITH 19432**** RECEPTACLE HOUSINGS.
 - PACKAGING SPECIFICATION: PK-19434-001 FOR LOOSE TERMINALS. STRIP PARTS ARE REELED 2000 TERMINALS PER REEL. (B)
 - APPLICATION TOOLING AND CRIMP SPECIFICATIONS: CONSULT FACTORY
 - INSULATION GRIP STEP DIMENSION NOT TO BE ALTERED BY CRIMP PROCESS.
 - ALL DIMENSIONS ARE REFERENCE.

CHG REEL QTY FROM 2500 EC NO: IPG2015-0205 DRAWN: WLEUNG 2014/07/31 CHKD: WOLDEGE 2014/07/31 APPR: BWOODMAN 2014/08/12	QUALITY SYMBOLS	GENERAL TOLERANCES (UNLESS SPECIFIED)	DIMENSION STYLE	SCALE	DESIGN UNITS	THIRD ANGLE PROJECTION																	
	$\nabla=0$ $\nabla=0$	<table border="1"> <tr> <th></th> <th>mm</th> <th>INCH</th> </tr> <tr> <td>4 PLACES</td> <td>± .005</td> <td>± .0005</td> </tr> <tr> <td>3 PLACES</td> <td>± .005</td> <td>± 0.10</td> </tr> <tr> <td>2 PLACES</td> <td>± 0.25</td> <td>± .02</td> </tr> <tr> <td>1 PLACE</td> <td>± 0.5</td> <td>± .05</td> </tr> <tr> <td>0 PLACE</td> <td>± .005</td> <td>± .0005</td> </tr> </table>		mm	INCH	4 PLACES	± .005	± .0005	3 PLACES	± .005	± 0.10	2 PLACES	± 0.25	± .02	1 PLACE	± 0.5	± .05	0 PLACE	± .005	± .0005	IN/MM	4:1	INCH
	mm	INCH																					
4 PLACES	± .005	± .0005																					
3 PLACES	± .005	± 0.10																					
2 PLACES	± 0.25	± .02																					
1 PLACE	± 0.5	± .05																					
0 PLACE	± .005	± .0005																					
REV: B	DESCRIPTION	ANGULAR ± 3°	MATERIAL NO.	TITLE		MX150L FEMALE TERMINAL 8AWG TW (THIN WALL INSULATION) molex																	
		DRAFT WHERE APPLICABLE MUST REMAIN WITHIN DIMENSIONS	SEE CHART	SD-19434-002																			
			SIZE C	THIS DRAWING CONTAINS INFORMATION THAT IS PROPRIETARY TO MOLEX INCORPORATED AND SHOULD NOT BE USED WITHOUT WRITTEN PERMISSION		SHEET NO. 1 OF 1																	