

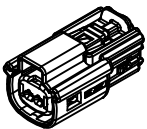
TABLE OF CONTENTS	
SHEET NO.	SHEET DESCRIPTION
1	NOTES AND BOM
2	CONFIGURATIONS
3-4	KEY CONFIGURATIONS
5	RECEPTACLE CONNECTOR ASSEMBLY
6	BACKSHELL NOTES
7	BACKSHELL
8	BACKSHELL CONFIGURATIONS

NOTES: VALID UNLESS OTHERWISE SPECIFIED

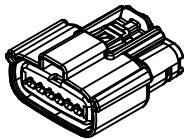
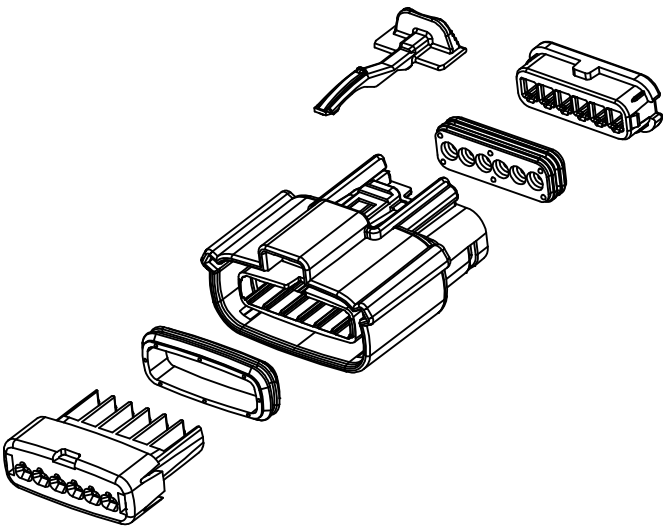
1. GENERAL:
- a. APPLICATION SPECIFICATION SEE: AS-33472-100
 -CONTAINS: PRODUCT INTRODUCTION, PRODUCT SUMMARY, CONNECTOR ASSEMBLY, PACKAGING INFORMATION, CONNECTOR MATING, SERVICE INSTRUCTIONS, ELECTRICAL CONTINUITY CHECKING, CRIMPING, AND TROUBLESHOOTING.
 -DESIGNED TO MATE WITH DEVICE OR CONNECTOR AS SPECIFIED IN THE MATING INTERFACE/CONNECTOR DRAWINGS CHART.
 *DENOTES DRAWINGS THAT CAN BE ACCESSED AT <http://ewcap.uscarteams.org/>.
 -ASSEMBLY SHIPPED WITH PLR IN PRE-LOCK POSITION (SEE PLR PRE-LOCK VIEW SHEET 5).
- b. PRODUCT SPECIFICATION SEE:
 -STANDARD CONFIGURATION: PS-33471-000
 -UL V0 CONFIGURATION: PS-160105-0001
 CONTAINS: PRODUCT INTRODUCTION, PRODUCT SUMMARY, RATINGS (CURRENT, TEMPERATURE, SEALING, AND FLAMMABILITY), TERMINALS, WIRE DIAMETER RANGE, PRODUCT VALIDATION, AND PRODUCT DEVIATIONS.
- c. PACKAGING SPECIFICATION PER MOLEX DRAWING; SEE PACKAGING CHART
- d. PARTS MUST BE IN COMPLIANCE TO MOLEX CHEMICAL SUBSTANCES FOR PRODUCTS AND PACKAGING SPECIFICATION: OEHS-699000-301
- e. DATA MUST BE SUBMITTED UNDER THE MOLEX PART NUMBER TO IMDS (COMPANY ID#13255)
2. DESIGN - MATERIALS:
- a. FOR BILL OF MATERIALS SEE:
 -STANDARD CONFIGURATION SD-33471-0002
 -UL V0 CONFIGURATION SD-160105-0002
3. DESIGN - GEOMETRY:
- a. THE 3-D CAD DATA IS BASIC (WITHOUT TOLERANCE) AND MASTER FOR THIS PART WITH THE EXCEPTION OF UNDERLINED DIMENSIONS. DIMENSIONAL INFORMATION NOT SHOWN ON THIS DRAWING IS DEFINED BY THE DATA FILE AT ITS LATEST REVISION.
- b. GEOMETRIC DIMENSIONS AND TOLERANCES PER ASME Y14.5M-2009
- c. EDGES AND UNDIMENSIONED DETAILS PER ISO13715
- d. CORNERS SHOWN AS SHARP TO BE R 0.2 MAX.
- e. LETTERING SHALL BE 0.15 MAX RAISED IN 0.25 MAX RECESS PAD. THIS INCLUDES RECYCLING CODE, CAVITY ID, VENDOR IDENTIFICATION, AND CUSTOMER MATERIAL NUMBER.
- f. VISUAL DEFECTS SHALL MEET COSMETIC STANDARD PS-45499-002 (Class B).
- g. LASER MARKING:
 1. PART NUMBER
 2. DAY OF THE YEAR
 3. SHIFT
 4. YEAR
 FOR ADDITIONAL INFORMATION SEE SECTION 5 UNDER PROCEDURES IN ES-34735-008.

PACKAGING	
DESCRIPTION	DRAWING NO.
1X2	PK-31300-635
1X6	PK-31300-903

MATING INTERFACE/CONNECTOR DRAWINGS		
DESCRIPTION	INTERFACE DEFINITION	MOLEX INLINE
1X2	*150-S-002-1-Z05	SD-33481-0001
1X6	*150-S-006-1-Z03	SD-33481-0001



1x2



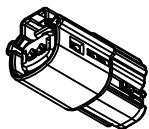
1x6

INSPECTION NUMBER LOG	2	MINOR GEOMETRY CHANGE FOR UL V0
LAST NUMBER: 11	1	UPDATE VIEWSETS
ADDED: 11		INITIAL RELEASE
REMOVED:		
REV		REV DESCRIPTION

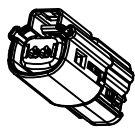
ENTER DESCRIPTION EEC NO: UAU2016-1641 DRWN:BTANG 2016/05/10 CHKD: APPR:KDEKOSKI 2016/06/14	DIMENSION STYLE MM ONLY	DRAWN BY DATE APROFFITT 2015/11/04	TITLE MX150 RCPT SINGLE ROW SEALED ASSY MAT SEAL	SCALE 1.5:1	DESIGN UNITS METRIC	THIRD ANGLE PROJECTION
		CHECKED BY DATE	MATERIAL NO.	DOCUMENT NO. SD-33471-0001	SHEET NO. 1 OF 8	
		APPROVED BY DATE KDEKOSKI 2016/06/14	SEE NOTE 2a.	THIS DRAWING CONTAINS INFORMATION THAT IS PROPRIETARY TO MOLEX INCORPORATED AND SHOULD NOT BE USED WITHOUT WRITTEN PERMISSION		
		QUALITY SYMBOLS ∇=0 4 PLACES ± --- ± --- ∇=0 3 PLACES ± --- ± --- ∇=0 2 PLACES ± 0.10 ± --- ∇=0 1 PLACE ± 0.2 ± --- ∇=0 0 PLACE ± --- ± ---	GENERAL TOLERANCES (UNLESS SPECIFIED) m/m INCH ANGULAR ± 1 ° DRAFT WHERE APPLICABLE MUST REMAIN WITHIN DIMENSIONS			

SHEET DESCRIPTION

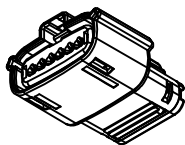
CONFIGURATIONS



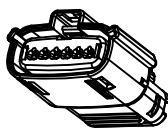
1x2 - STD



1x2 - UL V0*



1x6 - STD



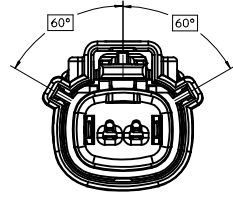
1x6 - UL V0*

*MINOR GEOMETRY DIFFERENCE THAN STANDARD CONFIGURATION
SEE NOTES 1 & 2 FOR MORE INFORMATION

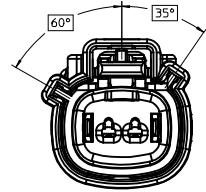
ENTER DESCRIPTION EC NO: UAU2016-1641 DRAWN BY: DRW:NBANG CHKD: CHYD: APPR:KDEKOSKI 2016/05/10 2016/06/14 DESCRIPTION REV: A	QUALITY SYMBOLS	GENERAL TOLERANCES (UNLESS SPECIFIED)	DIMENSION STYLE MM ONLY	SCALE 1.5:1	DESIGN UNITS METRIC	THIRD ANGLE PROJECTION
	▽=0	4 PLACES ± --- ± ---	mm INCH	DRAWN BY DATE APPROFIT 2015/11/04	TITLE MX150 RCPT SINGLE ROW SEALED ASSY MAT SEAL	
	▽=0	3 PLACES ± --- ± ---		CHECKED BY DATE	APPROVED BY DATE KDEKOSKI 2016/06/14	
	▽=0	2 PLACES ± 0.10 ± ---			MATERIAL NO.	DOCUMENT NO. SD-33471-0001
▽=0	1 PLACE ± 0.2 ± ---	ANGULAR ± 1 °	SEE NOTE 2a.		THIS DRAWING CONTAINS INFORMATION THAT IS PROPRIETARY TO MOLEX INCORPORATED AND SHOULD NOT BE USED WITHOUT WRITTEN PERMISSION	
		DRAFT WHERE APPLICABLE MUST REMAIN WITHIN DIMENSIONS				

SHEET DESCRIPTION
KEY CONFIGURATIONS

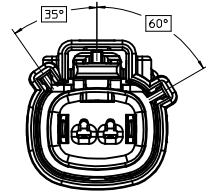
1X2



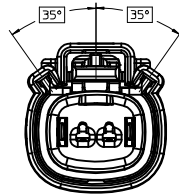
KEY A



KEY B



KEY C

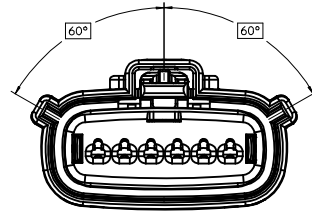


KEY D

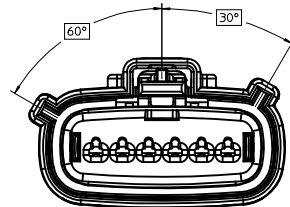
ENTER DESCRIPTION EC NO: UAU2016-1641 DRWN:BTANG 2016/05/10 CHKD: APPR:KDEKOSKI 2016/06/14	QUALITY SYMBOLS ▽=0 ▽=0 ▽=0	GENERAL TOLERANCES (UNLESS SPECIFIED)		DIMENSION STYLE MM ONLY		SCALE 3:1	DESIGN UNITS METRIC	THIRD ANGLE PROJECTION	
		4 PLACES ± --- ± ---	mm	INCH	DRAWN BY APROFF/ITT	DATE 2015/11/04	TITLE MX150 RCPT SINGLE ROW SEALED ASSY MAT SEAL		
		3 PLACES ± --- ± ---	2 PLACES ± 0.10 ± ---	1 PLACE ± 0.2 ± ---	CHECKED BY	DATE	APPROVED BY KDEKOSKI		
		0 PLACE ± --- ± ---	ANGULAR ± 1 °		MATERIAL NO. SEE NOTE 2a.		DOCUMENT NO. SD-33471-0001	SHEET NO. 3 OF 8	
DRAFT WHERE APPLICABLE MUST REMAIN WITHIN DIMENSIONS		SIZE 1		THIS DRAWING CONTAINS INFORMATION THAT IS PROPRIETARY TO MOLEX INCORPORATED AND SHOULD NOT BE USED WITHOUT WRITTEN PERMISSION					

SHEET DESCRIPTION
KEY CONFIGURATIONS CONT.

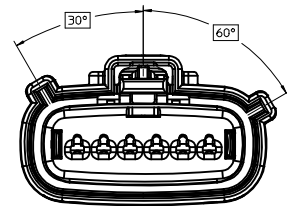
1X6



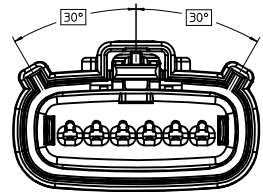
KEY A



KEY B



KEY C



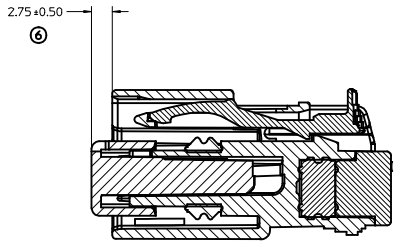
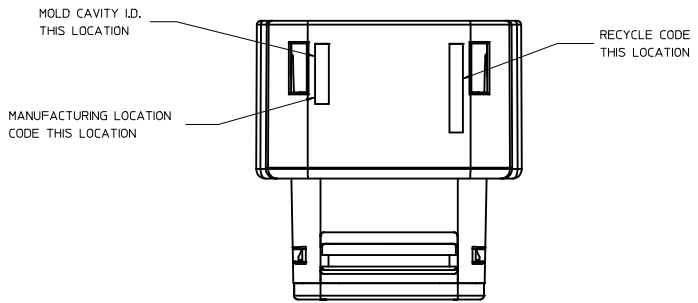
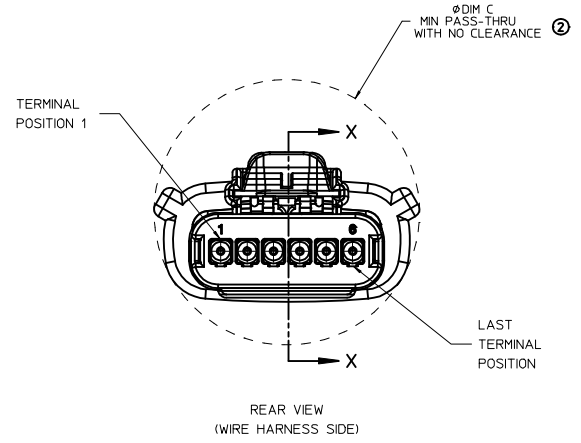
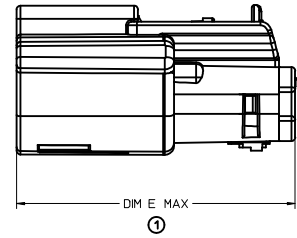
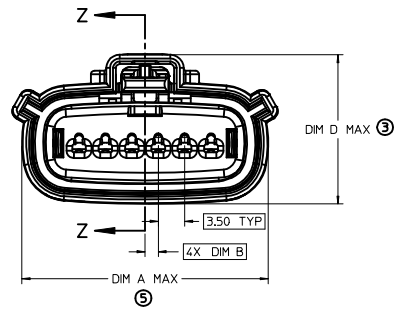
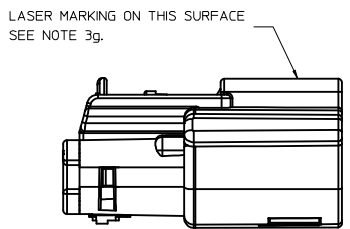
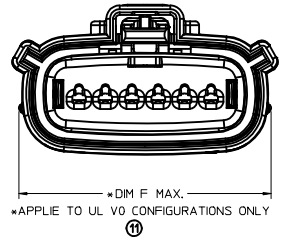
KEY D

ENTER DESCRIPTION EC NO: UAU2016-1641 DWN:ABTANG 2016/05/10 CHKD: APPR:KDEKOSKI 2016/06/14	QUALITY SYMBOLS ▽=0 ▽=0 ▽=0	GENERAL TOLERANCES (UNLESS SPECIFIED)		DIMENSION STYLE MM ONLY		SCALE 3:1	DESIGN UNITS METRIC	THIRD ANGLE PROJECTION	
		4 PLACES ± --- ± --- 3 PLACES ± --- ± --- 2 PLACES ± 0.10 ± --- 1 PLACE ± 0.2 ± --- 0 PLACE ± --- ± ---	mm INCH ± --- ± --- ± 0.10 ± --- ± 0.2 ± --- ± --- ± ---	DRAWN BY APPROFFITT	DATE 2015/11/04	TITLE MX150 RCPT SINGLE ROW SEALED ASSY MAT SEAL		DOCUMENT NO. SD-33471-0001	
DRAFT WHERE APPLICABLE MUST REMAIN WITHIN DIMENSIONS		ANGULAR ± 1 °		APPROVED BY KDEKOSKI		DATE 2016/06/14	MATERIAL NO. SEE NOTE 2a.		THIS DRAWING CONTAINS INFORMATION THAT IS PROPRIETARY TO MOLEX INCORPORATED AND SHOULD NOT BE USED WITHOUT WRITTEN PERMISSION

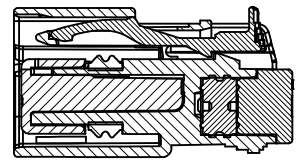
SHEET DESCRIPTION

RECEPTACLE CONNECTOR ASSEMBLY - STD

DESCRIPTION	DIMENSIONS					
	A	B	C	D	E	F
1X2	19.40	1.75	21.73	20.55	37.65	19.64
1X6	32.75	1.75	35.21	19.90	37.65	N/A
1X6 UL V0	N/A	1.75	35.23	19.90	37.65	33.64



PRIMARY LOCK REINFORCEMENT (PLR) SHOWN
IN PRE-STAGED POSITION
SECTION Z-Z



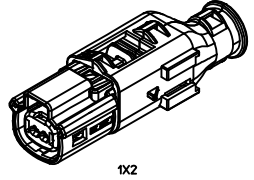
PRIMARY LOCK REINFORCEMENT (PLR) SHOWN
IN FINAL-LOCK POSITION
SECTION X-X

ENTER DESCRIPTION IEC NO: UAU2016-1641 DRAWN BY: DRWINBATANG CHKD: CHYKJ APPR: KDEKOSKI DATE: 2016/05/10 DATE: 2016/06/14	QUALITY SYMBOLS ∇=0 ∇=0 ∇=0	GENERAL TOLERANCES (UNLESS SPECIFIED)		DIMENSION STYLE MM ONLY		SCALE 3:1	DESIGN UNITS METRIC	THIRD ANGLE PROJECTION		
		4 PLACES ± --- ± ---	3 PLACES ± --- ± ---	2 PLACES ± 0.10 ± ---	1 PLACE ± 0.2 ± ---	0 PLACE ± --- ± ---	DRAWN BY: APROFFITT DATE: 2015/11/04	CHECKED BY: DATE:	TITLE MX150 RCPT SINGLE ROW SEALED ASSY MAT SEAL	
		ANGULAR ± 1°		DRAFT WHERE APPLICABLE MUST REMAIN WITHIN DIMENSIONS		MATERIAL NO. SEE NOTE 2a.		APPROVED BY: KDEKOSKI DATE: 2016/06/14	DOCUMENT NO. SD-33471-0001	SHEET NO. 5 OF 8
		THIS DRAWING CONTAINS INFORMATION THAT IS PROPRIETARY TO MOLEX INCORPORATED AND SHOULD NOT BE USED WITHOUT WRITTEN PERMISSION								

SHEET DESCRIPTION
BACKSHELL NOTES

BACKSHELL NOTES: VALID UNLESS OTHERWISE SPECIFIED

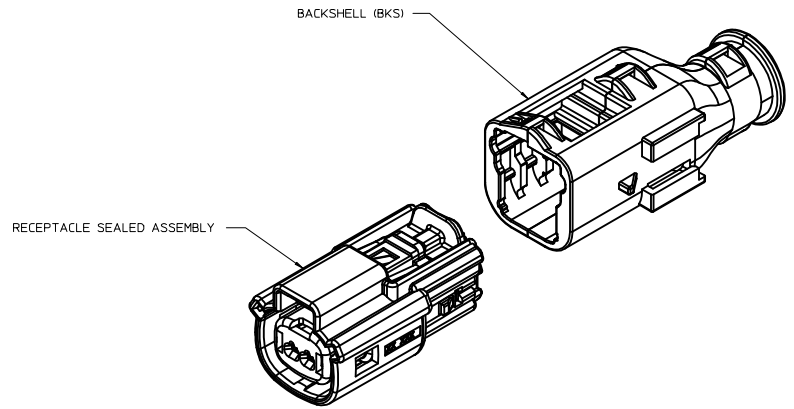
1. GENERAL:
 a. APPLICATION SPECIFICATION SEE: AS-34951-001
 -DESIGNED TO MATE WITH RECEPTACLE SEALED ASSEMBLY SPECIFIED IN MOLEX DRAWING SD-33471-0001.
 -SYSTEM TO BE USED WITH WIRE WITHIN DIAMETER RANGE OF 1.2mm TO 2.69mm.
 -COMPONENTS ARE OPTIONAL AND MUST BE PURCHASED SEPERATELY.
 -BACKSHELL DESIGN IS OWNED BY SCHLEMMER.
 -FOR ADDITIONAL INFORMATION SEE THE BACKSHELL COMPONENT DRAWING SD-34949-0001.



1X2

BACKSHELL CUSTOMER MODEL NUMBER LEGEND

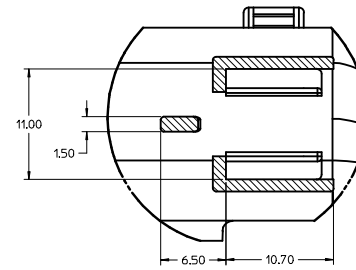
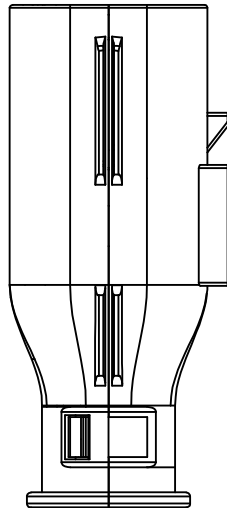
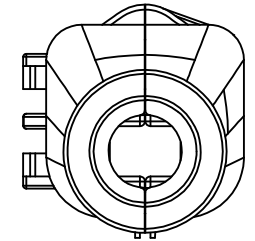
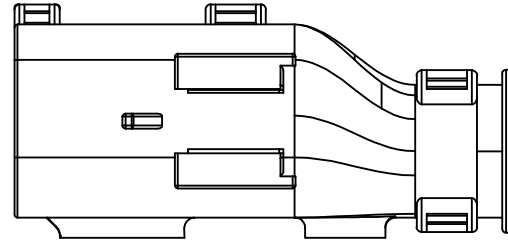
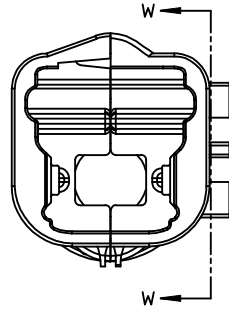
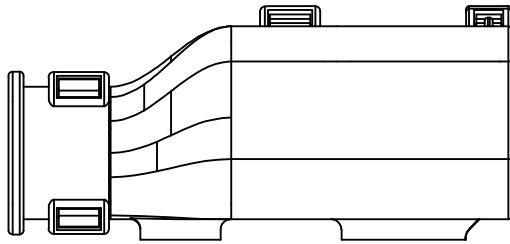
- 34949-XXXX
- CUSTOMER MODEL COMPONENTS
 - 0 - BACKSHELL ONLY
 - 1 - BACKSHELL & MX150 HOUSING KEY A ASSEMBLY
 - 2 - BACKSHELL & MX150 HOUSING KEY B ASSEMBLY
 - 3 - BACKSHELL & MX150 HOUSING KEY C ASSEMBLY
 - 4 - BACKSHELL & MX150 HOUSING KEY D ASSEMBLY
 - BACKSHELL FEATURES
 - 1 - WITH RIBS
 - 2 - WITHOUT RIBS
 - MX150 CIRCUIT SIZE 02, 03, 04, 05, 06



ENTER DESCRIPTION EC NO: UAUZ016-1641 DRWNR:BIANG CHKD: APPR:KDEKOSKI 2016/06/14 2016/05/10	QUALITY SYMBOLS	GENERAL TOLERANCES (UNLESS SPECIFIED)		DIMENSION STYLE MM ONLY		SCALE 4:1	DESIGN UNITS METRIC	THIRD ANGLE PROJECTION
	▽=0	4 PLACES ± --- ± ---	APPROFIT DATE 2015/11/04	TITLE		MX150 RCPT SINGLE ROW SEALED ASSY MAT SEAL molex DOCUMENT NO. SD-33471-0001 SHEET NO. 6 OF 8		
	▽=0	3 PLACES ± --- ± ---	CHECKED BY DATE	APPROVED BY DATE				
	▽=0	2 PLACES ± 0.10 ± ---	APPROVED BY DATE		MATERIAL NO.			
▽=0	1 PLACE ± 0.2 ± ---	KDEKOSKI 2016/06/14		MATERIAL NO.				
		0 PLACE ± --- ± ---	ANGULAR ± 1 °		SEE NOTE 2a.			
		DRAFT WHERE APPLICABLE MUST REMAIN WITHIN DIMENSIONS		SIZE 1		THIS DRAWING CONTAINS INFORMATION THAT IS PROPRIETARY TO MOLEX INCORPORATED AND SHOULD NOT BE USED WITHOUT WRITTEN PERMISSION		

SHEET DESCRIPTION

BACKSHELL

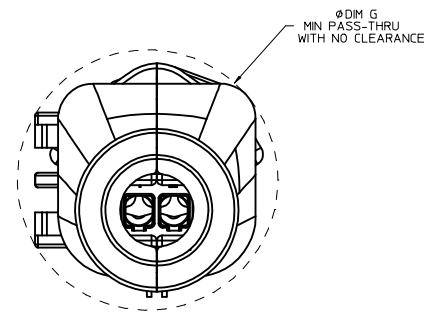
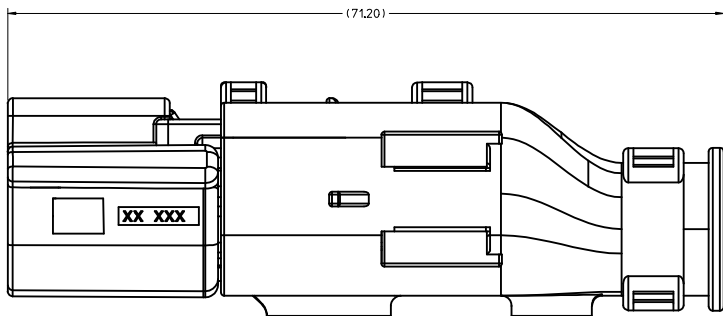


Partial W-W
SCALE 4:1

ENTER DESCRIPTION EC NO: UA02016-1641 DRWNBRTANG 2016/05/10 CHKD: APPR:KDEKOSKI 2016/06/14	QUALITY SYMBOLS ∇=0 ∇=1 ∇=2 ∇=3	GENERAL TOLERANCES (UNLESS SPECIFIED) mm INCH 4 PLACES ± --- ± --- 3 PLACES ± --- ± --- 2 PLACES ± 0.10 ± --- 1 PLACE ± 0.2 ± --- 0 PLACE ± --- ± --- ANGULAR ± 1° DRAFT WHERE APPLICABLE MUST REMAIN WITHIN DIMENSIONS	DIMENSION STYLE MM ONLY DRAWN BY DATE APPROFIT 2015/11/04 CHECKED BY DATE APPROVED BY DATE KDEKOSKI 2016/06/14 MATERIAL NO. SEE NOTE 2a.	SCALE 4:1 DESIGN UNITS METRIC THIRD ANGLE PROJECTION	TITLE MX150 RCPT SINGLE ROW SEALED ASSY MAT SEAL molex DOCUMENT NO. SD-33471-0001	SHEET NO. 7 OF 8	
	REV A	DESCRIPTION	THIS DRAWING CONTAINS INFORMATION THAT IS PROPRIETARY TO MOLEX INCORPORATED AND SHOULD NOT BE USED WITHOUT WRITTEN PERMISSION				

SHEET DESCRIPTION
BACKSHELL CONFIGURATIONS

CHARTED DIMENSIONS	
DESCRIPTION	DIMENSIONS
1X2	G
	26.00



RECEPTACLE SEALED ASSEMBLY WITH RECEPTACLE BACKSHELL

ENTER DESCRIPTION EC NO: UAU2016-1641 DRWN: BTANG 2016/05/10 CHKD: A APPR: KDEKOSKI 2016/06/14	QUALITY SYMBOLS ∇=0 ∇=0 ∇=0	GENERAL TOLERANCES (UNLESS SPECIFIED) mm INCH 4 PLACES ± --- ± --- 3 PLACES ± --- ± --- 2 PLACES ± 0.10 ± --- 1 PLACE ± 0.2 ± --- 0 PLACE ± --- ± --- ANGULAR ± 1 ° DRAFT WHERE APPLICABLE MUST REMAIN WITHIN DIMENSIONS	DIMENSION STYLE MM ONLY DRAWN BY DATE APPROFFITT 2015/11/04 CHECKED BY DATE APPROVED BY DATE KDEKOSKI 2016/06/14 MATERIAL NO. SEE NOTE 2a.	SCALE 4:1 DESIGN UNITS METRIC THIRD ANGLE PROJECTION	TITLE MX150 RCPT SINGLE ROW SEALED ASSY MAT SEAL molex DOCUMENT NO. SD-33471-0001	SHEET NO. 8 OF 8
	THIS DRAWING CONTAINS INFORMATION THAT IS PROPRIETARY TO MOLEX INCORPORATED AND SHOULD NOT BE USED WITHOUT WRITTEN PERMISSION					
	SIZE 1					
	SEE NOTE 2a.					

TABLE OF CONTENTS

SHEET NO.	SHEET DESCRIPTION
1	NOTES AND BOM
2	POLARIZATIONS
3	RCPT CONNECTOR ASSY
4	BOM SHEET 1
5	BOM SHEET 2
6	BOM SHEET 3

NOTES: VALID UNLESS OTHERWISE SPECIFIED

1. GENERAL:

a. APPLICATION SPECIFICATION SEE: AS-33472-100

- CONTAINS: PRODUCT INTRODUCTION, PRODUCT SUMMARY, CONNECTOR ASSEMBLY, PACKAGING INFORMATION, CONNECTOR MATING, SERVICE INSTRUCTIONS, ELECTRICAL CONTINUITY CHECKING, CRIMPING, AND TROUBLESHOOTING.
- DESIGNED TO MATE WITH DEVICE CONNECTION AS SPECIFIED IN DRAWING EWCAP 150-S-006-1-Z03, AVAILIBLE AT <http://ewcap.uscarteams.org/>.
- DESIGNED TO MATE WITH BLADE SEALED ASSEMBLY AS SPECIFIED IN DRAWING SD-33481-061
- FOR 1.5mm RECEPTACLE TERMINALS TO BE USED WITH THIS ASSEMBLY. SEE MOLEX DRAWING SD-33012-002.
- SYSTEM TO BE USED WITH WIRE WITHIN DIAMETER RANGE OF 1.2 mm TO 2.69 mm.
- ASSEMBLY SHIPPED WITH PLR AND CPA IN PRE-LOCK POSITION (SEE SECTION Z-Z PRE-LOCK).
- IN THE EVENT THAT THE PLR IS FOUND IN THE SEATED (FINAL LOCK) POSITION, REFER TO MOLEX SPECIFICATION PS-34646-001, AVAILIBLE AT www.molex.com <http://www.molex.com>.
- ASSEMBLY CONFORMS TO SAE/USCAR-2 REV.4 WITH THE FOLLOWING EXCEPTIONS: ENGAGEMENT FORCE TO MOVE CPA FROM PRE-LOCK TO FINAL LOCK POSITION WHEN UNMATED: 40N MIN. DISENGAGEMENT FORCE TO MOVE CPA FROM FINAL LOCK TO PRE-LOCK POSITION: 3N MIN, 40N MAX TERMINAL INSERTION FORCE FOR WIRE DIAMETER ABOVE 2.5mm NOT EXCEEDING 2.69mm SHALL NOT EXCEED 40 NEWTONS.

b. PRODUCT SPECIFICATION SEE: PS-33471-000

CONTAINS: PRODUCT INTRODUCTION, PRODUCT SUMMARY, RATINGS (CURRENT, TEMPERATURE, SEALING, AND FLAMMABILITY), AND PRODUCT VALIDATION.

c. PACKAGING SPECIFICATION PER MOLEX DRAWING: PK-31300-903

d. PARTS MUST BE IN COMPLIANCE TO MOLEX CHEMICAL SUBSTANCES FOR PRODUCTS AND PACKAGING SPECIFICATION: ES-40000-5016

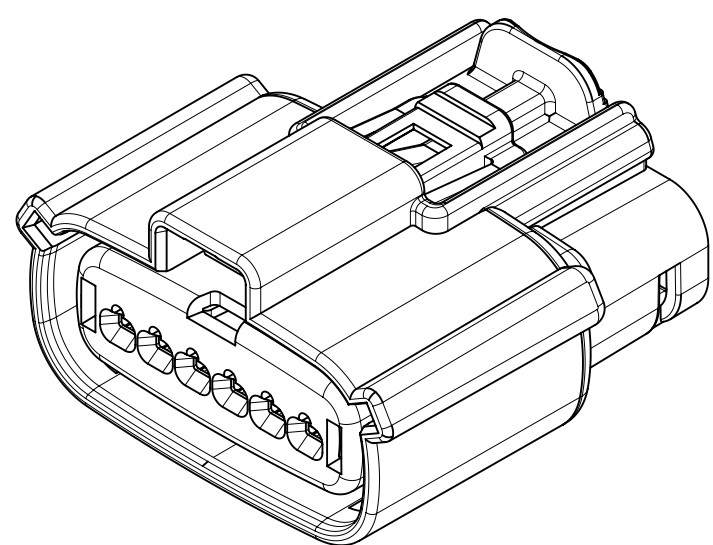
e. DATA MUST BE SUBMITTED UNDER THE MOLEX PART NUMBER TO IMDS (COMPANY ID#13255)

2. DESIGN - MATERIALS:

- a. CONNECTOR HOUSING, GROMMET CAP, PLR: SPS/NYLON BLEND 20% GLASS FILLED
- b. CPA: PBT 20% GLASS FILLED
- c. MAT SEAL AND RING SEAL: INHERENTLY LUBRICATED SILICONE

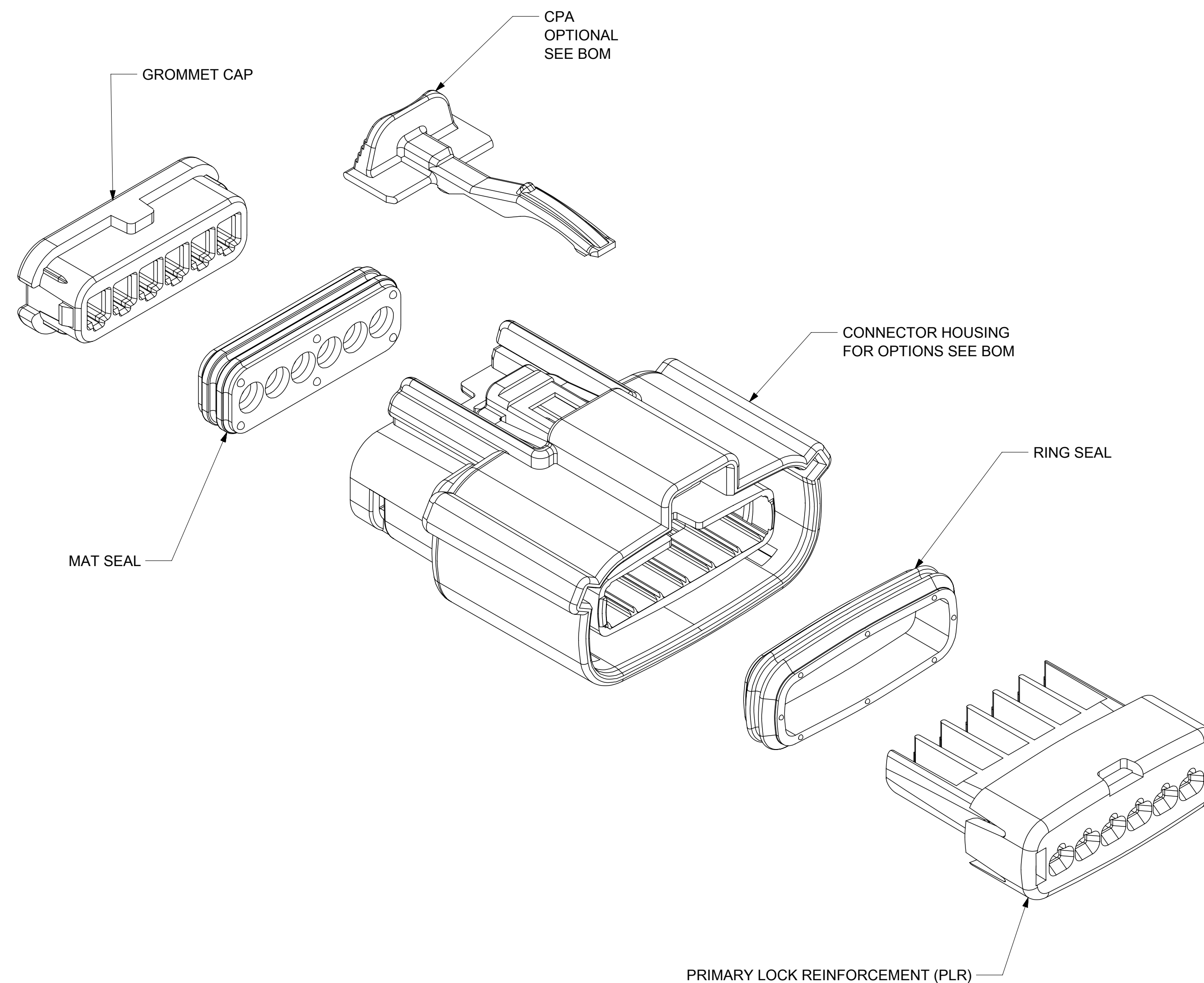
3. DESIGN - GEOMETRY:

- a. THIS IS A 100% CAD GENERATED PART. THE CAD MATHEMATICAL DATA IS THE MASTER FOR THIS PART. FOR DIMENSIONAL OR ANY INFORMATION NOT SHOWN ON THIS DRAWING, ANALYZE THE CAD MODEL.
- b. GEOMETRIC DIMENSIONS AND TOLERANCES PER ASME Y14.5M - 1994
- c. EDGES AND UNDIMENSIONED DETAILS PER ISO13715
- d. CORNERS SHOWN AS SHARP TO BE R 0.2 MAX.
- e. LETTERING SHALL BE 0.15 MAX RAISED IN 0.25 MAX RECESS PAD. THIS INCLUDES RECYCLING CODE, CAVITY ID, VENDOR IDENTIFICATION, AND CUSTOMER MATERIAL NUMBER.
- f. VISUAL DEFECTS SHALL MEET COSMETIC STANDARD PS-45499-002 (Class B)
- g. LASER MARKING: TBD



MATING INTERFACE CHART

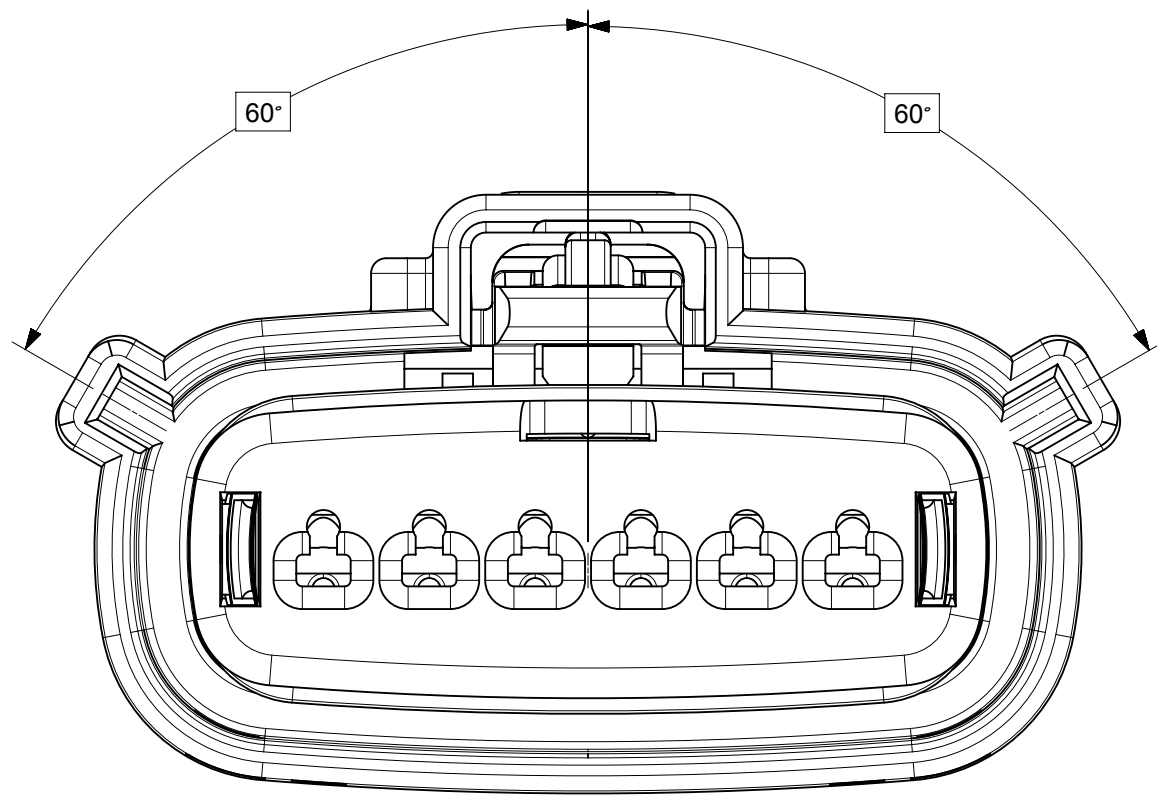
DESCRIPTION	CIRCUIT SIZE	SERIES	COLOR	INTERFACE MODEL NUMBER	STATUS
MX150 1X6 RCPT ASSY, KEY A	6	33471	BLACK	CM-150-S-006-1-A03	SALEABLE
MX150 1X6 RCPT ASSY, KEY B	6	33471	DARK GRAY	CM-150-S-006-1-B03	SALEABLE
MX150 1X6 RCPT ASSY, KEY C	6	33471	LIGHT GRAY	CM-150-S-006-1-C03	SALEABLE
MX150 1X6 RCPT ASSY, KEY D	6	33471	BLACK	CM-150-S-006-1-D03	SALEABLE



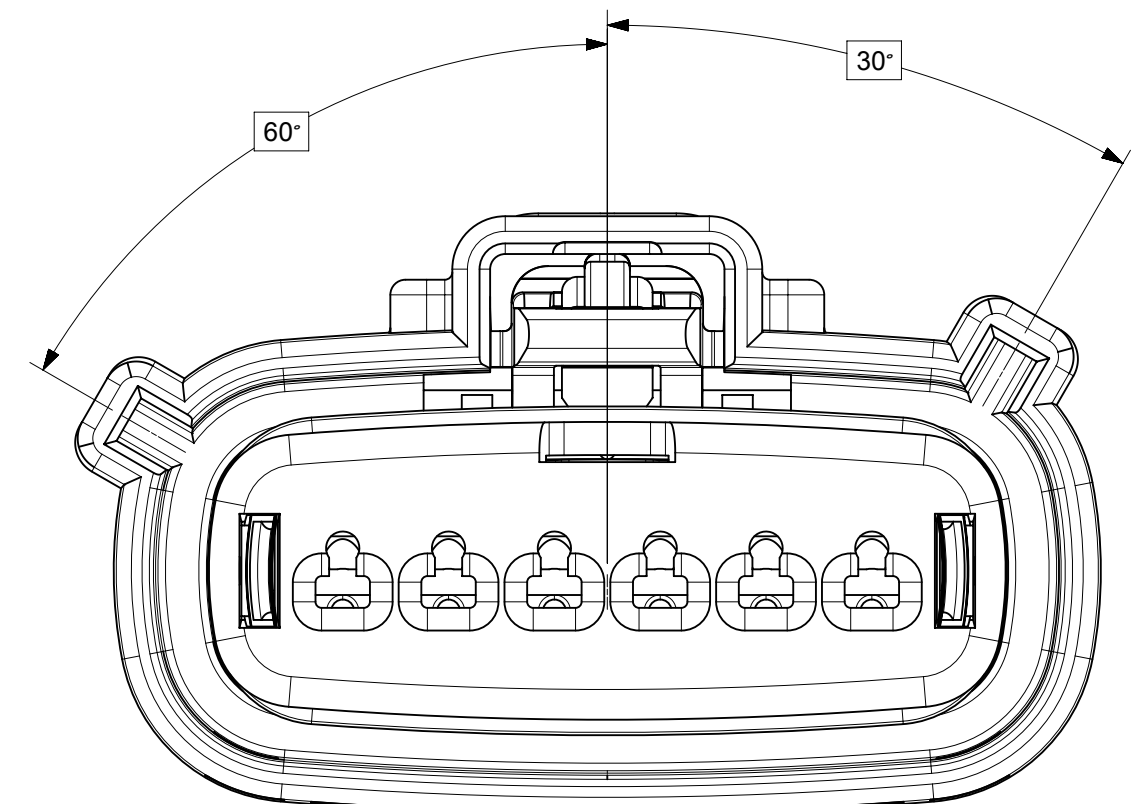
INSPECTION NUMBER LOG	
REV	REV DESCRIPTION
U4	Updated status of parts based on new mat seal
U3	ADDED 33471-6080
U2	UPDATED 33471-60** PARTS TO SALEABLE AND REMOVED "NOT RECOMMENDED" PART NUMBERS
U1	Remastered, Added 33471-60** Part Numbers
LAST NUMBER: 5	

SYMBOLS DIMENSION UNITS: mm SCALE: 2:1 GENERAL TOLERANCES (UNLESS SPECIFIED): ANGULAR TOL: ± 3.0° 4 PLACES: ± 3 PLACES: ± 2 PLACES: ± 0.1 1 PLACE: ± 0.3 0 PLACES: ± DRAFT WHERE APPLICABLE MUST REMAIN WITHIN DIMENSIONS THIRD ANGLE PROJECTION D-SIZE 33471	THIS DRAWING CONTAINS INFORMATION THAT IS PROPRIETARY TO MOLEX ELECTRONIC TECHNOLOGIES, LLC AND SHOULD NOT BE USED WITHOUT WRITTEN PERMISSION CURRENT REV DESC: EC NO: 614171 DRWN: DBARTHLOW 2019/04/08 CHK'D: MVANSLAMBROU 2019/04/12 APPR: MVANSLAMBROU 2019/04/12 INITIAL REVISION: DRWN: DGRIFITHS 2005/08/26 APPR: smarceau 2005/08/29		<p>MX150 1X6 RECEPTACLE SEALED ASSEMBLY MAT SEAL</p> <p>PRODUCT CUSTOMER DRAWING</p>		
	DOCUMENT NUMBER: SD-33471-061 DOC TYPE: PSD DOC PART: 001 REVISION: U4				
MATERIAL NUMBER: 33471 CUSTOMER: GENERAL MARKET SHEET NUMBER: 1 OF 6					

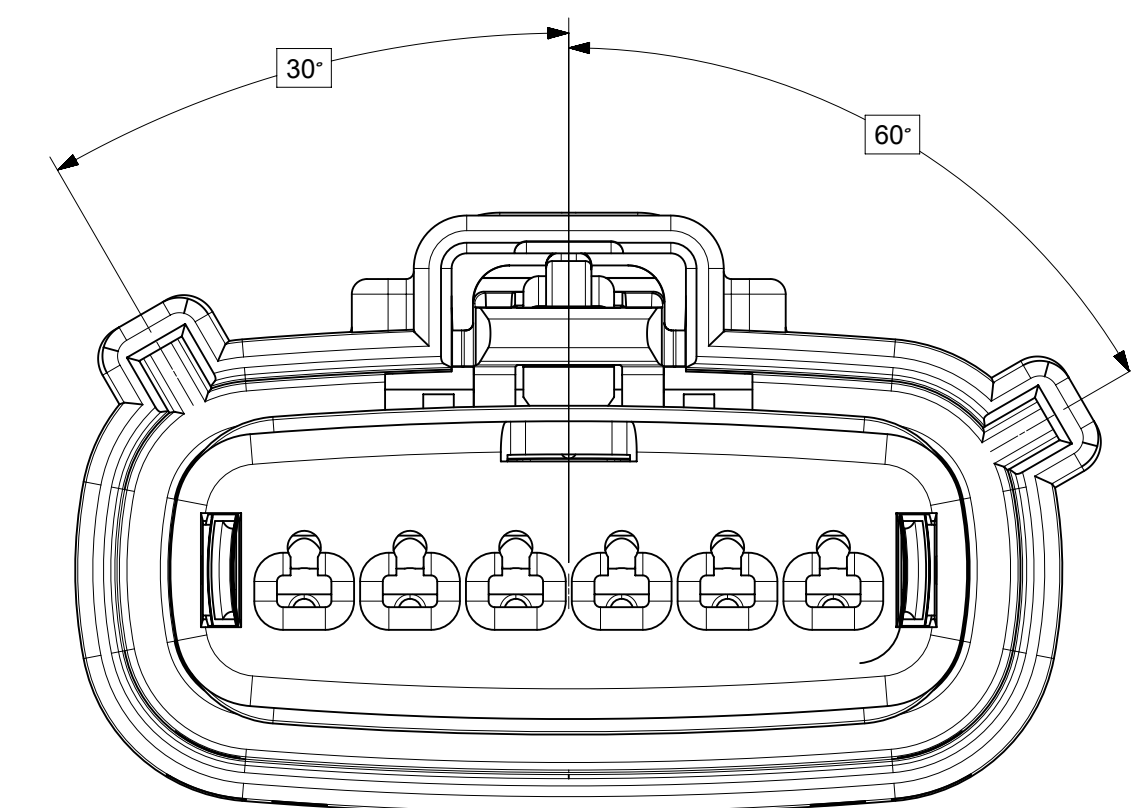
SHEET DESCRIPTION
POLARIZATIONS



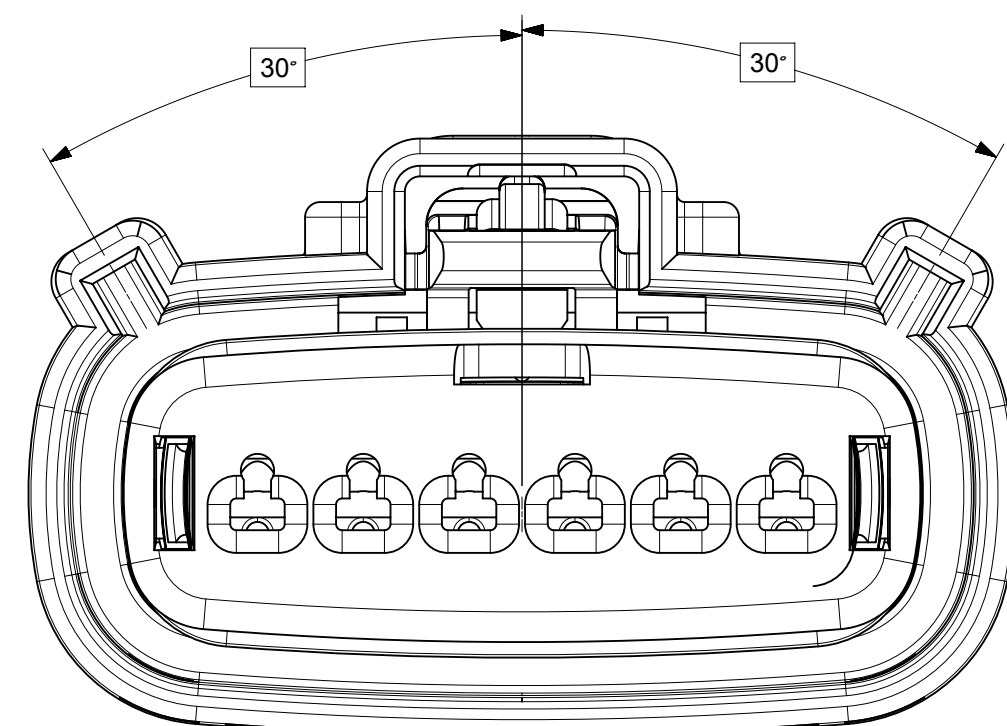
KEY A



KEY B



KEY C

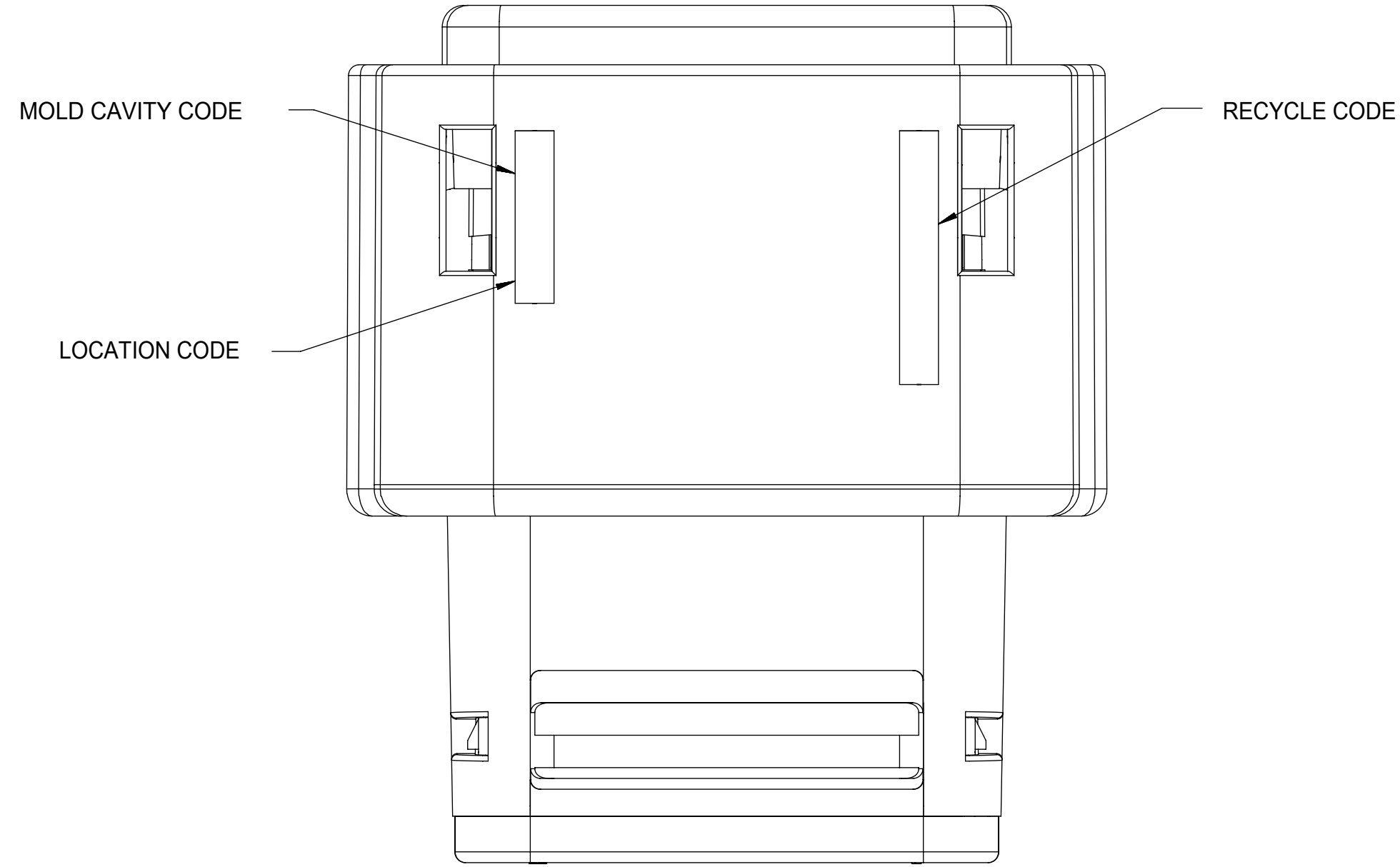
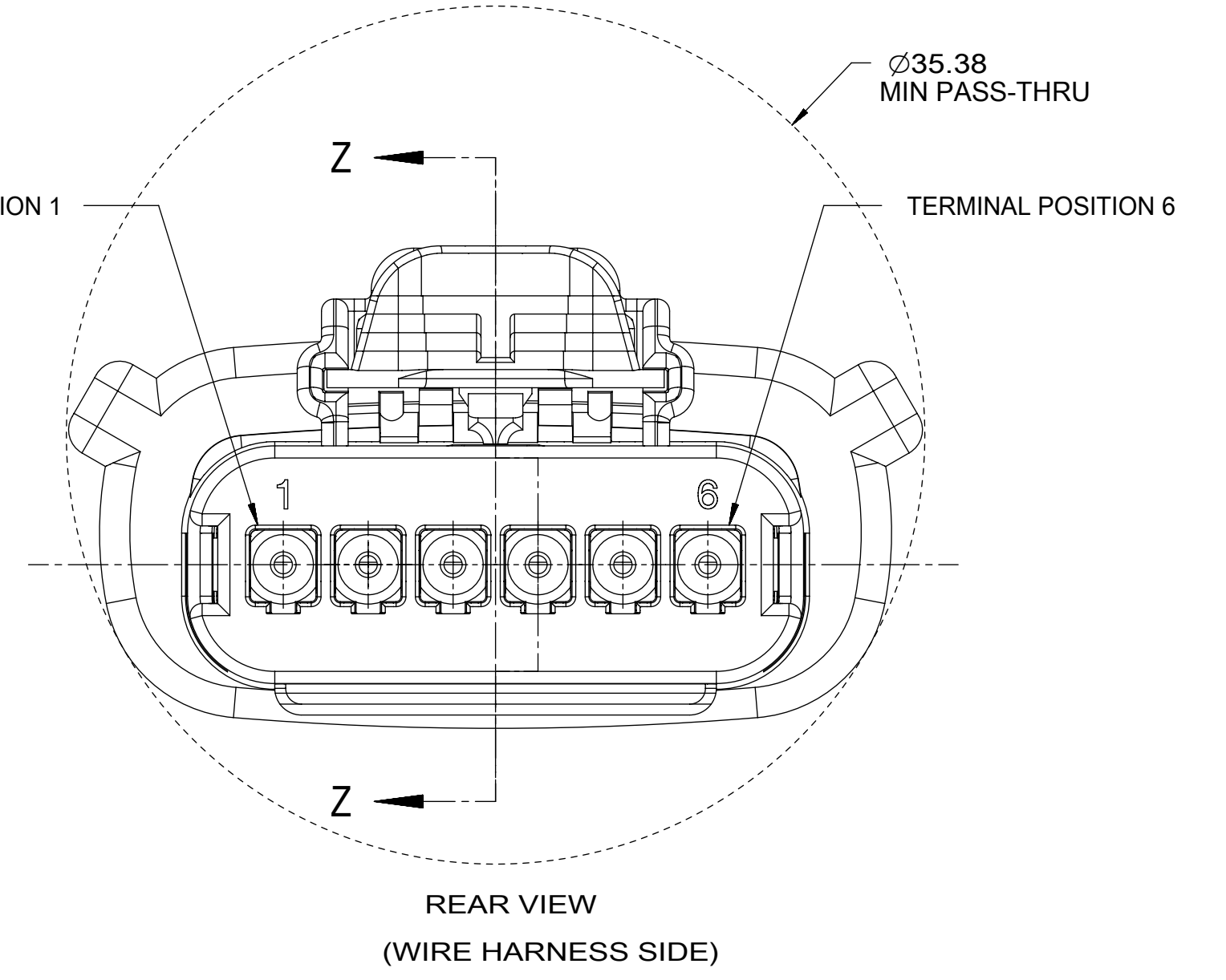
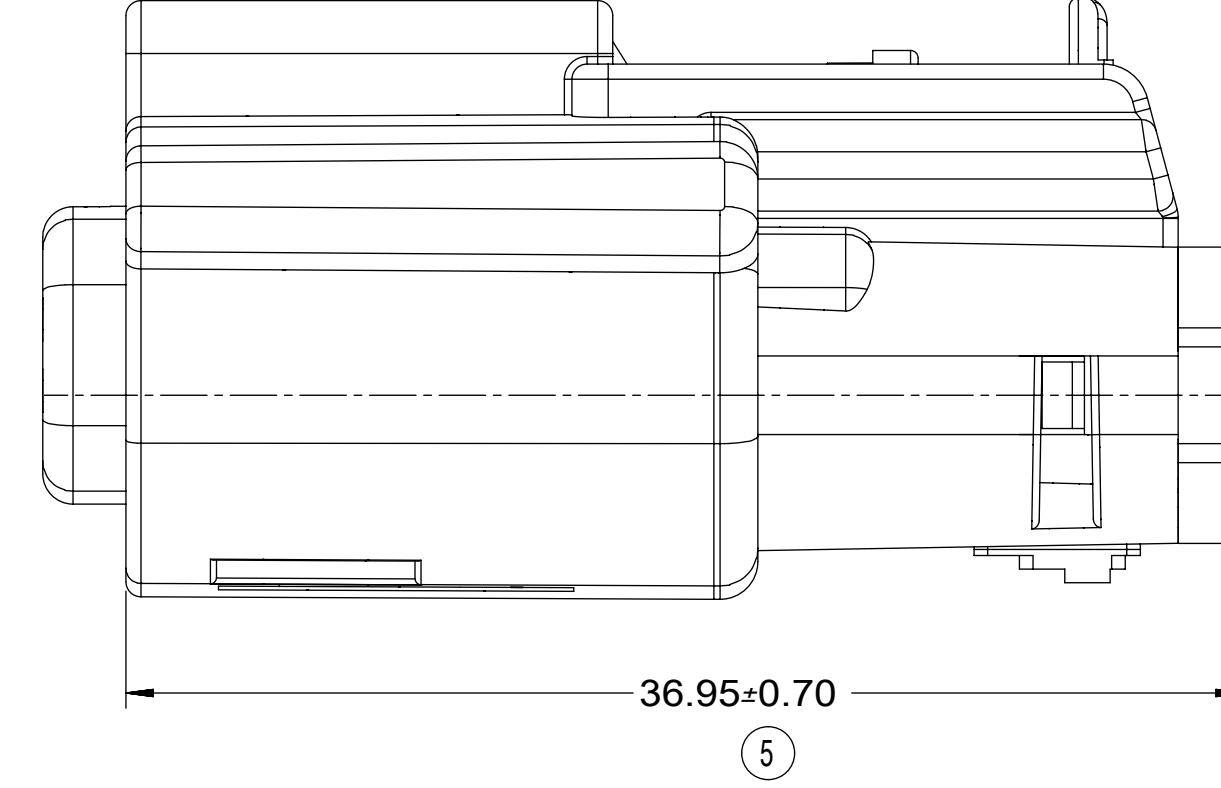
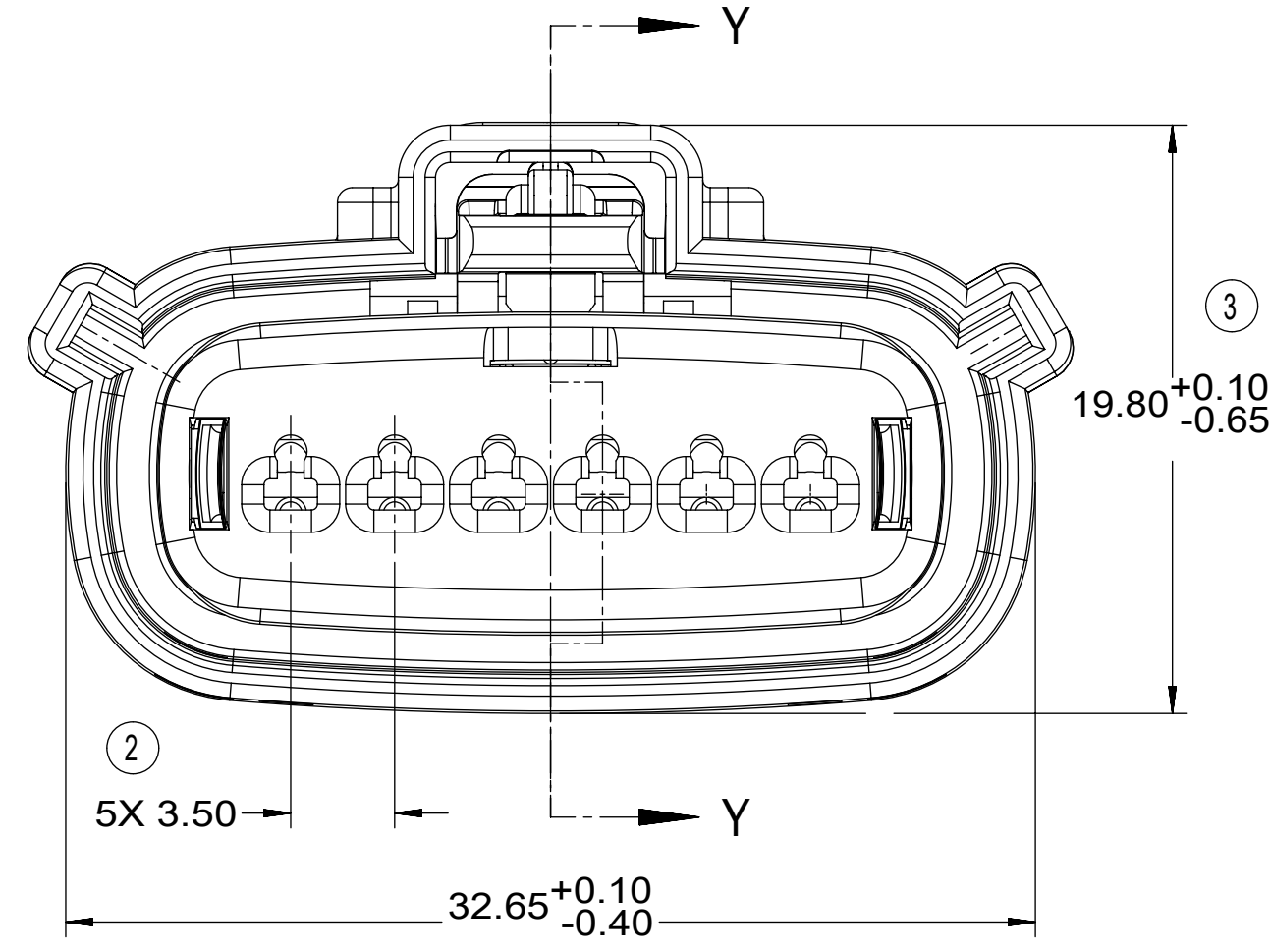
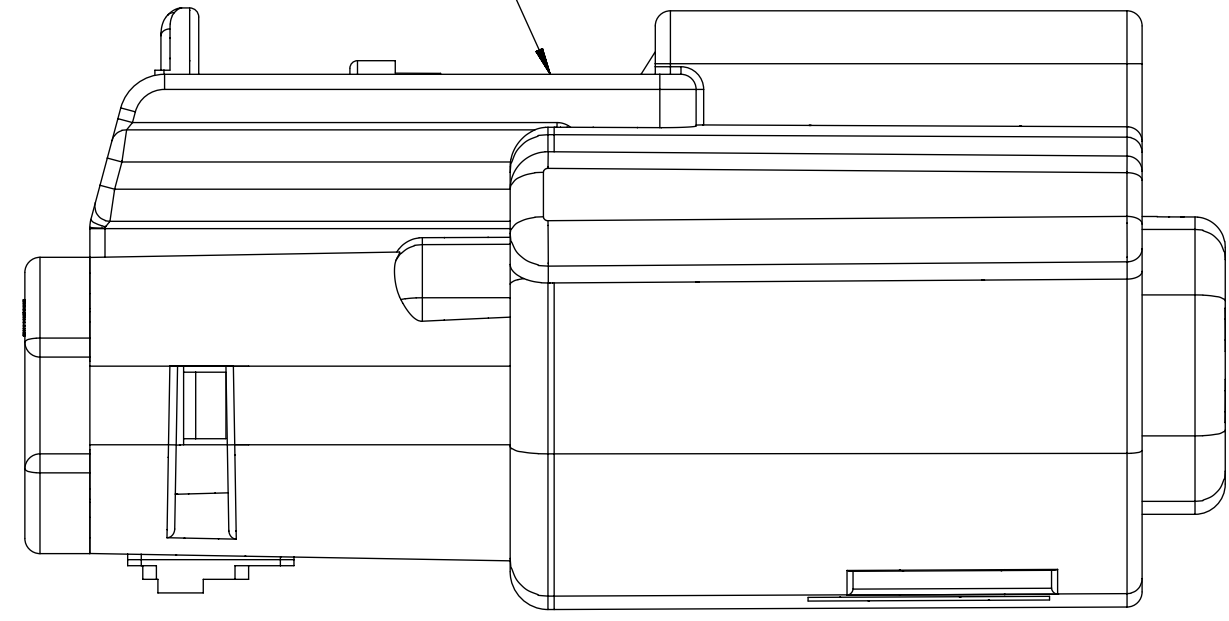


KEY D

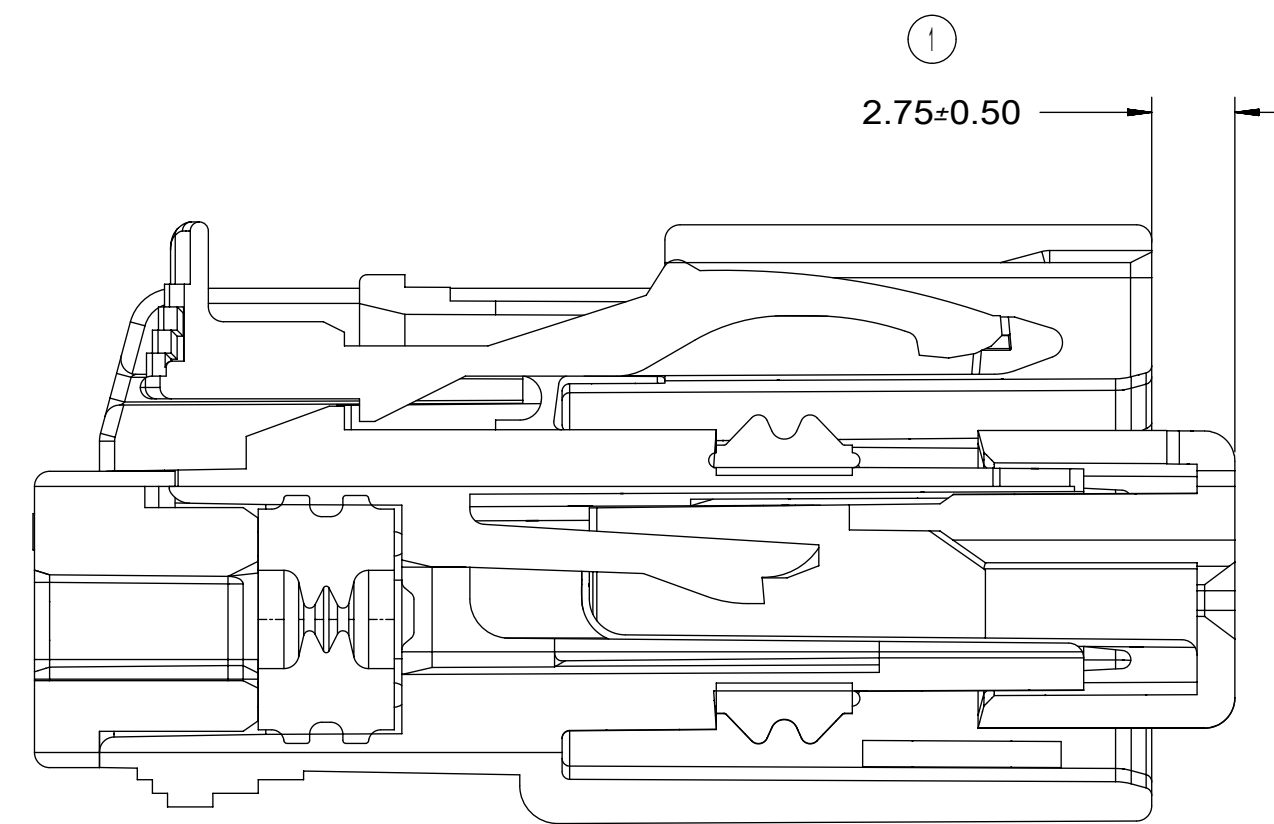
SYMBOLS	THIS DRAWING CONTAINS INFORMATION THAT IS PROPRIETARY TO MOLEX ELECTRONIC TECHNOLOGIES, LLC AND SHOULD NOT BE USED WITHOUT WRITTEN PERMISSION		
	DIMENSION UNITS	SCALE	CURRENT REV DESC:
= 0	mm	4:1	EC NO: 614171 DRWN: DBARTHLOW 2019/04/08 CHK'D: MVANSLAMBROU 2019/04/12 APPR: MVANSLAMBROU 2019/04/12
= 0	GENERAL TOLERANCES (UNLESS SPECIFIED)		
= 0	ANGULAR TOL ± 3.0°		INITIAL REVISION: DRWN: DGRIFITHS 2005/08/26 APPR: smarceau 2005/08/29
= 0	4 PLACES ±		
= 0	3 PLACES ±		DOCUMENT NUMBER SD-33471-061
= 0	2 PLACES ± 0.1		
= 0	1 PLACE ± 0.3		DOC TYPE PSD
= 0	0 PLACES ±		DOC PART 001
= 0	DRAFT WHERE APPLICABLE MUST REMAIN WITHIN DIMENSIONS	THIRD ANGLE PROJECTION	REVISION U4
= 0			MATERIAL NUMBER 33471
		DRAWING D-SIZE	CUSTOMER GENERAL MARKET
		SERIES 33471	SHEET NUMBER 2 OF 6

SHEET DESCRIPTION
RCPT CONNECTOR ASSY

LASER MARKING THIS SURFACE
SEE NOTE 3g.

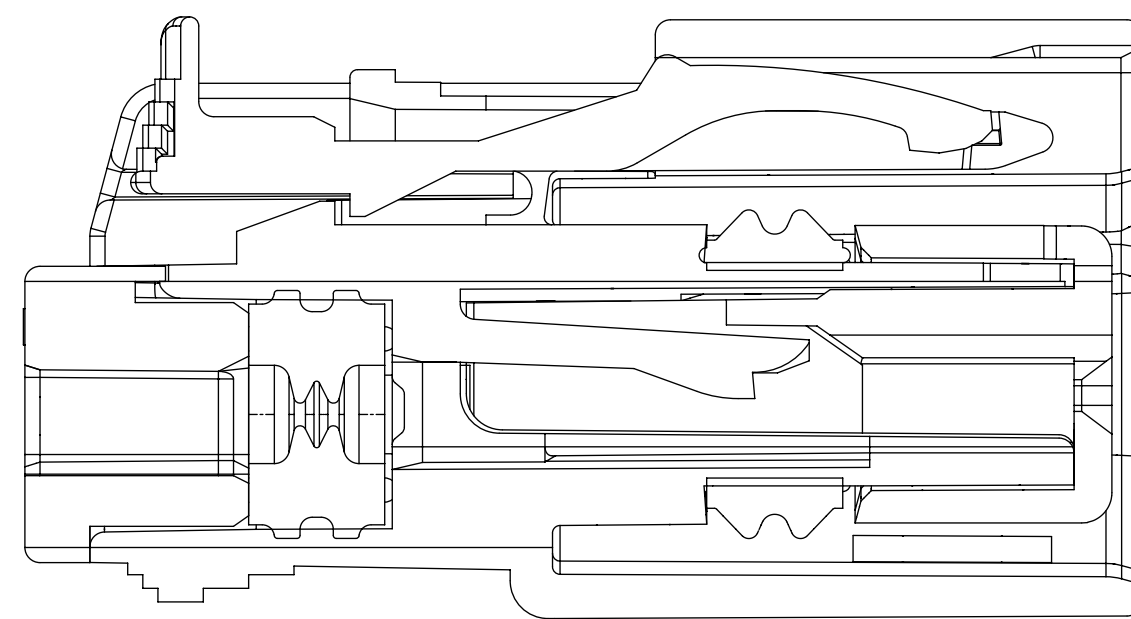


Bottom1



PRIMARY LOCK REINFORCEMENT (PLR) SHOWN
IN PRE-STAGED POSITION

SECTION Z-Z



PRIMARY LOCK REINFORCEMENT (PLR) SHOWN
IN FINAL-LOCK POSITION

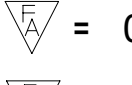
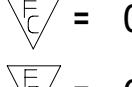
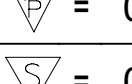
SECTION Y-Y

SYMBOLS		THIS DRAWING CONTAINS INFORMATION THAT IS PROPRIETARY TO MOLEX ELECTRONIC TECHNOLOGIES, LLC AND SHOULD NOT BE USED WITHOUT WRITTEN PERMISSION		CURRENT REV DESC:					
▽ = 0	mm	SCALE	4:1	EC NO: 614171				DOCUMENT NUMBER	DOC TYPE
▽ = 0	GENERAL TOLERANCES (UNLESS SPECIFIED)			DRWN: DBARTHLOW		2019/04/08	MX150 1X6 RECEPTACLE SEALED ASSEMBLY MAT SEAL		
▽ = 0	ANGULAR TOL ± 3.0°			CHK'D: MVANSLAMBROU		2019/04/12	PRODUCT CUSTOMER DRAWING		
▽ = 0	4 PLACES ±			APPR: MVANSLAMBROU		2019/04/12	SD-33471-061		
▽ = 0	3 PLACES ±			INITIAL REVISION:			PSD 001 U4		
▽ = 0	2 PLACES ± 0.1			DRWN: DGRIFITHS		2005/08/26	GENERAL MARKET		
▽ = 0	1 PLACE ± 0.3			APPR: smarceau		2005/08/29	3 OF 6		
▽ = 0	0 PLACES ±			DRAFT WHERE APPLICABLE MUST REMAIN WITHIN DIMENSIONS			SHEET NUMBER		
▽ = 0	THIRD ANGLE PROJECTION		DRAWING		SERIES		MATERIAL NUMBER		
▽ = 0	D-SIZE		33471		CUSTOMER		GENERAL MARKET		

SHEET DESCRIPTION

BOM SHEET 2

ASSEMBLY PART NUMBER	COLOR	KEYING OPTION	CAVITY TYPE & STATUS (NUMBER PRESENT = PLUGGED)						CPA	STATUS	COMMENTS
			1	2	3	4	5	6			
33471-6601	BLACK	A							—	PLANNED OBSOLESCENCE	
33471-6606	BLACK	A							YES	PLANNED OBSOLESCENCE	

SYMBOLS	THIS DRAWING CONTAINS INFORMATION THAT IS PROPRIETARY TO MOLEX ELECTRONIC TECHNOLOGIES, LLC AND SHOULD NOT BE USED WITHOUT WRITTEN PERMISSION																	
	DIMENSION UNITS		SCALE		CURRENT REV DESC:													
	mm		1:1															
	▽ = 0		GENERAL TOLERANCES (UNLESS SPECIFIED)				EC NO: 614171 DRWN: DBARTHLOW 2019/04/08 CHK'D: MVANSLAMBROU 2019/04/12 APPR: MVANSLAMBROU 2019/04/12						PRODUCT CUSTOMER DRAWING					
	▽ = 0		ANGULAR TOL ± 3.0°															
	▽ = 0		4 PLACES ±		INITIAL REVISION: DRWN: DGRIFITHS 2005/08/26 APPR: smarceau 2005/08/29						DOCUMENT NUMBER SD-33471-061		DOC TYPE PSD		DOC PART 001		REVISION U4	
	▽ = 0		3 PLACES ±															
	▽ = 0		2 PLACES ± 0.1		DRAFT WHERE APPLICABLE MUST REMAIN WITHIN DIMENSIONS						MATERIAL NUMBER 33471		CUSTOMER GENERAL MARKET		SHEET NUMBER 5 OF 6			
	▽ = 0		1 PLACE ± 0.3															
	☒ = 0		0 PLACES ±		THIRD ANGLE PROJECTION		DRAWING		SERIES		D-SIZE		33471		GENERAL MARKET		5 OF 6	
■ = 0		DRAFT WHERE APPLICABLE MUST REMAIN WITHIN DIMENSIONS						33471										
▽ = 0																		

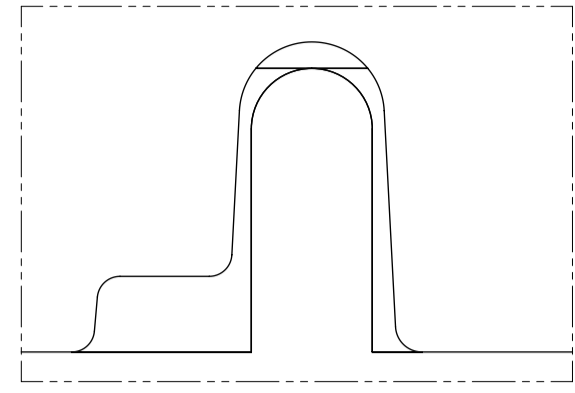
SHEET DESCRIPTION

BOM SHEET 3

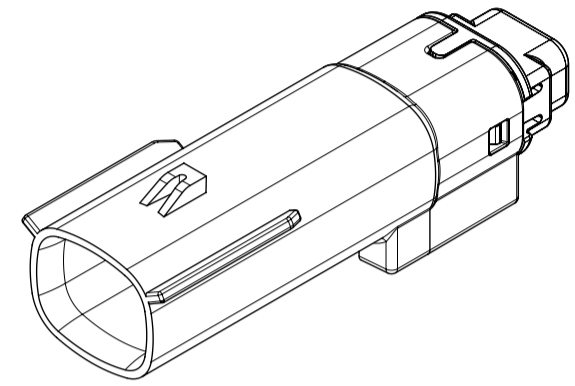
ASSEMBLY PART NUMBER	COLOR	KEYING OPTION	CAVITY TYPE & STATUS (NUMBER PRESENT = PLUGGED)						CPA	STATUS	COMMENTS
			1	2	3	4	5	6			
33471-6001	BLACK	A							---	SALEABLE	
33471-6002	LT.GRAY	B							---	SALEABLE	
33471-6003	BROWN	C							---	NOT RECOMMENDED	SEE P/N 33471-6059
33471-6004	GREEN	D							---	NOT RECOMMENDED	SEE P/N 33471-6060
33471-6005	YELLOW	A							---	SALEABLE	
33471-6006	BLACK	A							YES	SALEABLE	
33471-6007	LT.GRAY	B							YES	SALEABLE	
33471-6008	BROWN	C							YES	NOT RECOMMENDED	SEE P/N 33471-6061
33471-6009	GREEN	D							YES	NOT RECOMMENDED	SEE P/N 33471-6062
33471-6010	YELLOW	A							YES	SALEABLE	
33471-6011	BLACK	A							6	---	SALEABLE
33471-6012	LT.GRAY	B							6	---	SALEABLE
33471-6015	YELLOW	A							6	---	SALEABLE
33471-6016	BLACK	A							6	YES	SALEABLE
33471-6017	LT.GRAY	B							6	YES	SALEABLE
33471-6020	YELLOW	A							6	YES	SALEABLE
33471-6021	BLACK	A	1						6	---	SALEABLE
33471-6022	LT.GRAY	B	1						6	---	SALEABLE
33471-6025	YELLOW	A	1						6	---	SALEABLE
33471-6026	BLACK	A	1						6	YES	SALEABLE
33471-6027	LT.GRAY	B	1						6	YES	SALEABLE
33471-6030	YELLOW	A	1						6	YES	SALEABLE
33471-6031	BLACK	A	1	2	3	4	5	6	---	SALEABLE	
33471-6032	LT.GRAY	B	1	2	3	4	5	6	---	SALEABLE	
33471-6035	YELLOW	A	1	2	3	4	5	6	---	SALEABLE	
33471-6050	BLACK	A						5	6	---	SALEABLE
33471-6051	BLACK	A	1	2	3	4	5	6	YES	SALEABLE	
33471-6052	BLACK	A				4			YES	SALEABLE	
33471-6053	BLACK	A			3				YES	SALEABLE	
33471-6054	BLACK	A			3				---	SALEABLE	
33471-6055	BLACK	A			3	4	5		---	SALEABLE	
33471-6056	BLACK	A					5		---	SALEABLE	
33471-6057	BLACK	A				4			---	SALEABLE	
33471-6058	BLACK	A	1	2	3	4			---	SALEABLE	
33471-6059	DARK GRAY	C							---	SALEABLE	
33471-6060	STONE GRAY	D							---	SALEABLE	
33471-6061	DARK GRAY	C							YES	SALEABLE	
33471-6062	STONE GRAY	D							YES	SALEABLE	
33471-6063	DARK GRAY	C						6	---	SALEABLE	
33471-6064	STONE GRAY	D						6	---	SALEABLE	
33471-6065	DARK GRAY	C						6	YES	SALEABLE	
33471-6066	STONE GRAY	D						6	YES	SALEABLE	
33471-6067	DARK GRAY	C	1					6	---	SALEABLE	
33471-6068	STONE GRAY	D	1					6	---	SALEABLE	
33471-6069	DARK GRAY	C	1					6	YES	SALEABLE	
33471-6070	STONE GRAY	D	1					6	YES	SALEABLE	
33471-6071	DARK GRAY	C	1	2	3	4	5	6	---	SALEABLE	
33471-6072	STONE GRAY	D	1	2	3	4	5	6	---	SALEABLE	
33471-6073	BLACK	A			3			6	---	SALEABLE	
33471-6074	BLACK	A		2					---	SALEABLE	
33471-6075	BLACK	A	1		3		5		YES	SALEABLE	
33471-6076	BLACK	A	1						---	SALEABLE	
33471-6077	BLACK	A		2	3	4			---	SALEABLE	
33471-6078	BLACK	A				4	5		---	SALEABLE	
33471-6079	BLACK	A	1						YES	SALEABLE	
33471-6080	BLACK	A			3	4			YES	SALEABLE	

SYMBOLS = 0 = 0 = 0 = 0 = 0 = 0 = 0 = 0 = 0	THIS DRAWING CONTAINS INFORMATION THAT IS PROPRIETARY TO MOLEX ELECTRONIC TECHNOLOGIES, LLC AND SHOULD NOT BE USED WITHOUT WRITTEN PERMISSION		CURRENT REV DESC:		 MX150 1X6 RECEPTACLE SEALED ASSEMBLY MAT SEAL PRODUCT CUSTOMER DRAWING DOCUMENT NUMBER: SD-33471-061 DOC TYPE: PSD DOC PART: 001 REVISION: U4 MATERIAL NUMBER: 33471 CUSTOMER: GENERAL MARKET SHEET NUMBER: 6 OF 6
	DIMENSION UNITS	SCALE	EC NO: 614171		
	mm	1:1	DRWN: DBARTHLOW 2019/04/08		
	GENERAL TOLERANCES (UNLESS SPECIFIED)		CHK'D: MVANSLAMBROU 2019/04/12		
	ANGULAR TOL	± 3.0°	APPR: MVANSLAMBROU 2019/04/12		
	4 PLACES	±	INITIAL REVISION:		
	3 PLACES	±	DRWN: DGRIFITHS 2005/08/26		
	2 PLACES	± 0.1	APPR: smarceau 2005/08/29		
	1 PLACE	± 0.3	THIRD ANGLE PROJECTION		
	0 PLACES	±	DRAWING: D-SIZE SERIES: 33471		

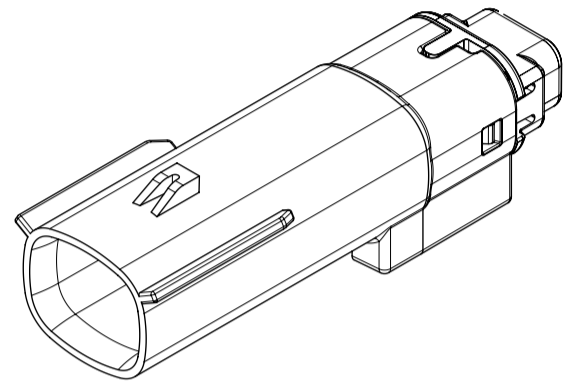
SHEET DESCRIPTION
CONFIGURATIONS



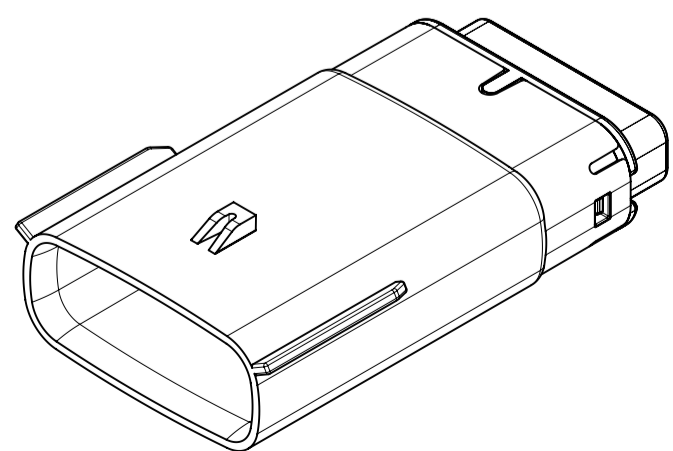
UL V0 UNIQUE FEATURE
Partial1
SCALE 10:1



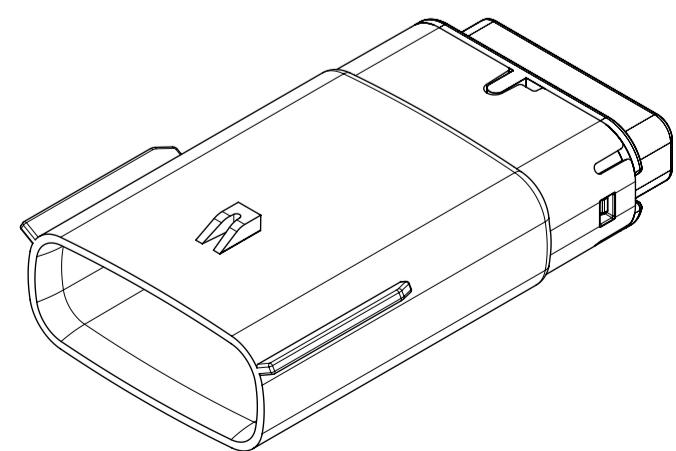
1x2 - STD



1X2 - UL V0*



1x6 - STD

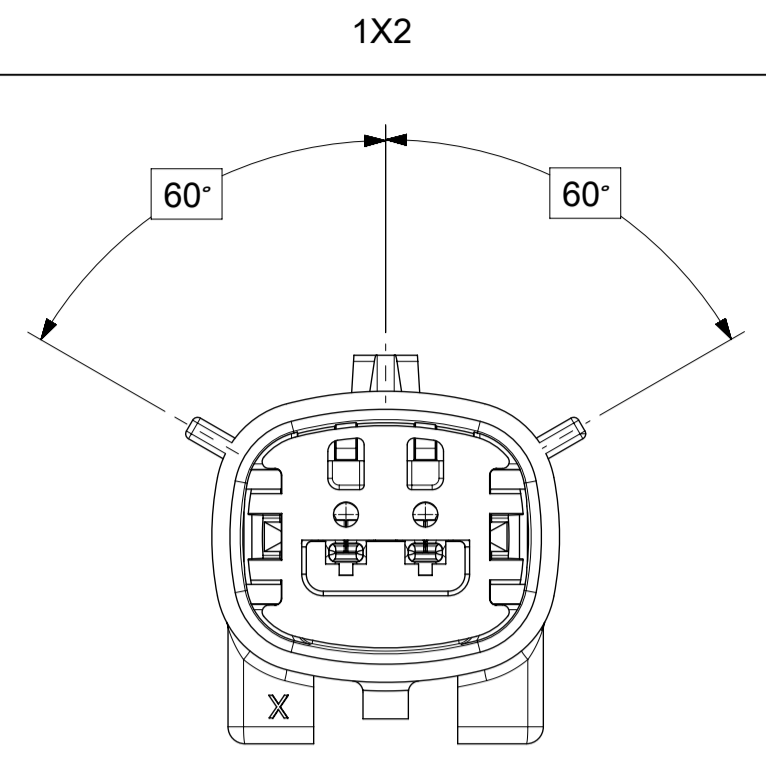


1x6 - UL V0*

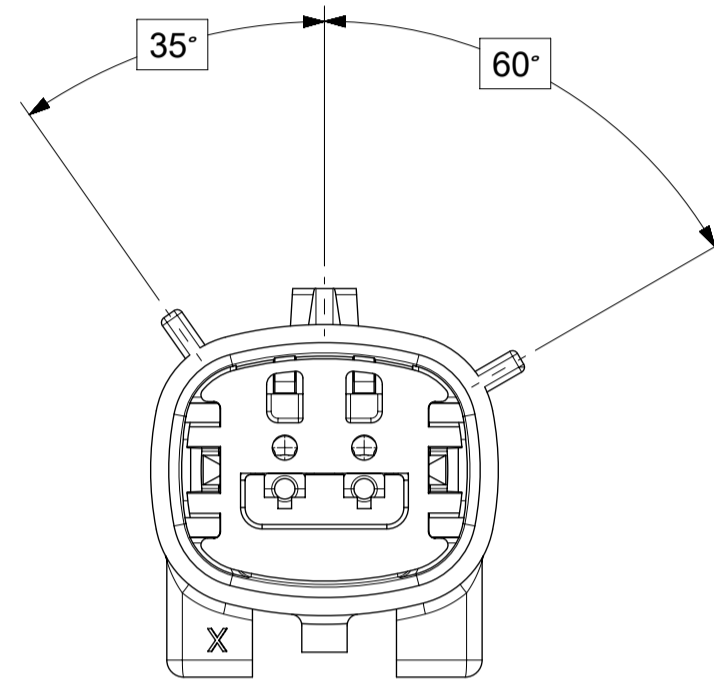
* MINOR GEOMETRY DIFFERENCE THAN STANDARD CONFIGURATION.
SEE NOTES 1 & 2 FOR MORE INFORMATION

SYMBOLS	THIS DRAWING CONTAINS INFORMATION THAT IS PROPRIETARY TO MOLEX ELECTRONIC TECHNOLOGIES, LLC AND SHOULD NOT BE USED WITHOUT WRITTEN PERMISSION		CURRENT REV DESC:				
	DIMENSION UNITS	SCALE					
▽ = 0	MM ONLY	1.5:1	GENERAL TOLERANCES (UNLESS SPECIFIED)		CHK'D: MVANSLAMBROU	2018/10/04	PRODUCT CUSTOMER DRAWING
▽ = 0	ANGULAR TOL ± 1.0°		APPR: MVANSLAMBROU		2018/10/04	DOCUMENT NUMBER	
▽ = 0	4 PLACES	±	INITIAL REVISION:		DRWN: APROFFITT	2015/07/21	SD-33481-0001
▽ = 0	3 PLACES	±	APPR: KDEKOSKI		2016/06/14	DOC TYPE	
▽ = 0	2 PLACES	± 0.1	THIRD ANGLE PROJECTION		DRAWING	SERIES	PSD 001
▽ = 0	1 PLACE	± 0.2	DRAFT WHERE APPLICABLE MUST REMAIN WITHIN DIMENSIONS		A1-SIZE	33481	
▽ = 0	0 PLACES	±	MATERIAL NUMBER		CUSTOMER	SHEET NUMBER	A1
▽ = 0			SEE NOTE 2a.		GENERAL MARKET	2 OF 9	

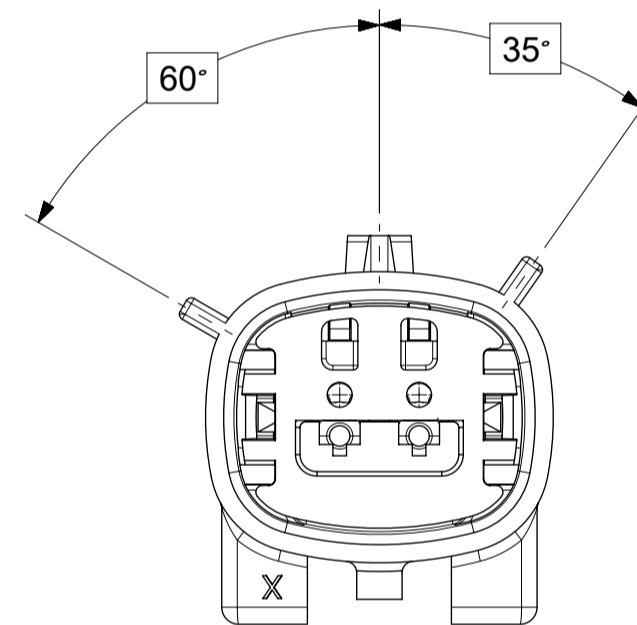
SHEET DESCRIPTION
KEY CONFIGURATIONS



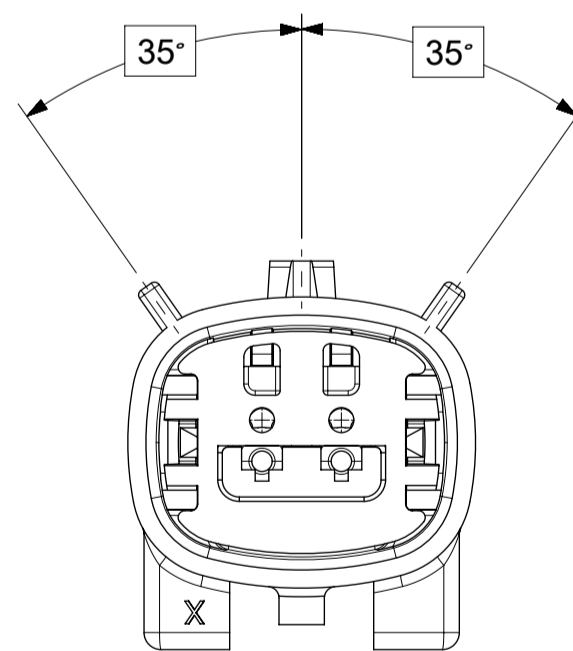
KEY A



KEY B



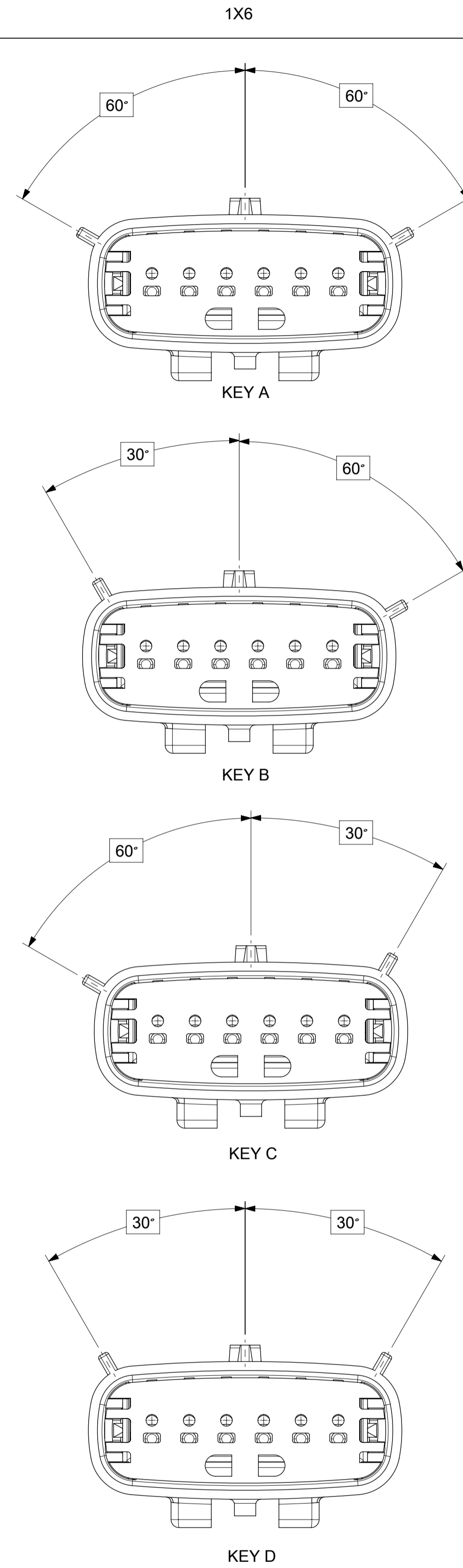
KEY C



KEY D

SYMBOLS = 0 	THIS DRAWING CONTAINS INFORMATION THAT IS PROPRIETARY TO MOLEX ELECTRONIC TECHNOLOGIES, LLC AND SHOULD NOT BE USED WITHOUT WRITTEN PERMISSION DIMENSION UNITS: MM ONLY SCALE: 3:1 GENERAL TOLERANCES (UNLESS SPECIFIED) ANGULAR TOL ± 1.0° 4 PLACES ± 3 PLACES ± 2 PLACES ± 0.1 1 PLACE ± 0.2 0 PLACES ± DRAFT WHERE APPLICABLE MUST REMAIN WITHIN DIMENSIONS	CURRENT REV DESC: EC NO: 602373 DRWN: DSHETTY01 2018/05/25 CHK'D: MVANSLAMBROU 2018/10/04 APPR: MVANSLAMBROU 2018/10/04 INITIAL REVISION: DRWN: APROFFITT 2015/07/21 APPR: KDEKOSKI 2016/06/14	 MX150 BLADE SINGLE ROW SEALED ASSY MAT SEAL PRODUCT CUSTOMER DRAWING DOCUMENT NUMBER: SD-33481-0001 DOC TYPE: PSD DOC PART: 001 REVISION: A1 MATERIAL NUMBER: SEE NOTE 2a. CUSTOMER: GENERAL MARKET SHEET NUMBER: 3 OF 9
--	--	---	---

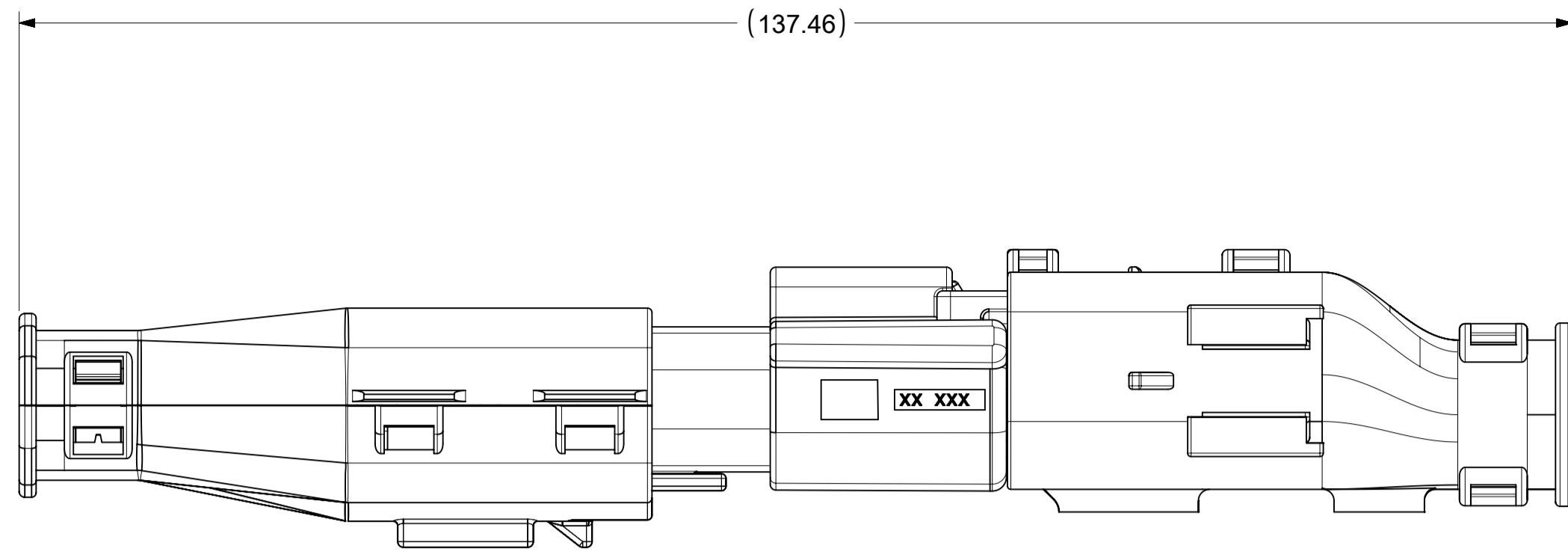
SHEET DESCRIPTION
KEY CONFIGURATIONS CONT.



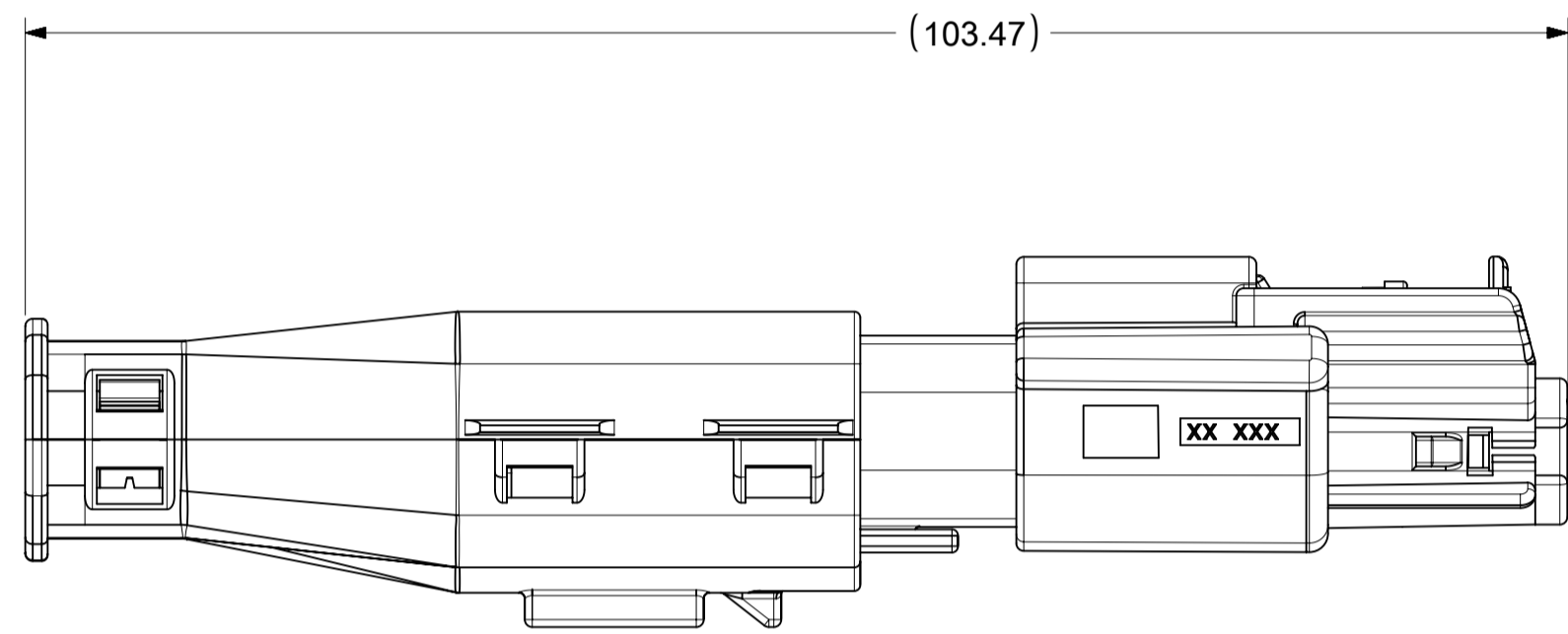
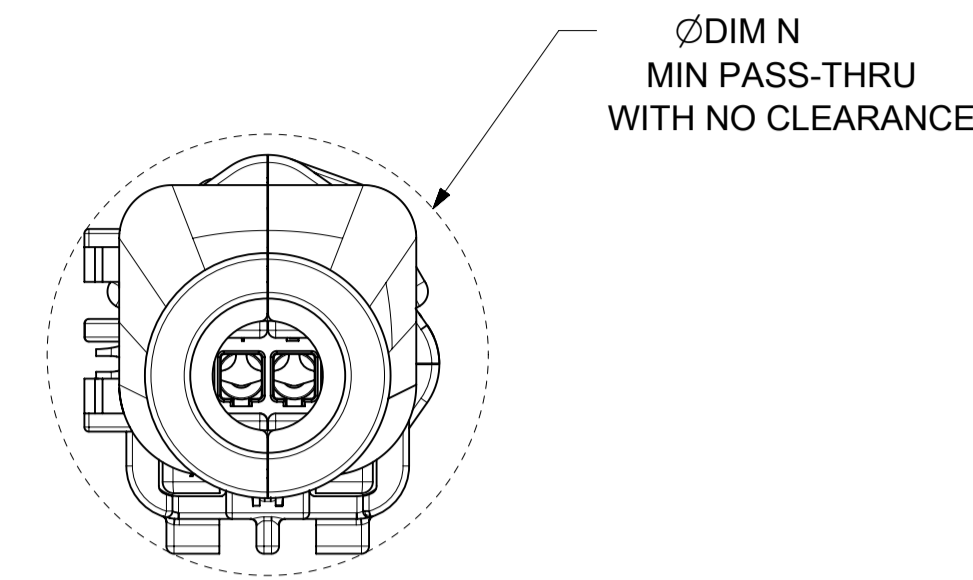
SYMBOLS = 0 = 0 = 0 = 0 = 0 = 0 = 0 = 0 = 0 = 0	THIS DRAWING CONTAINS INFORMATION THAT IS PROPRIETARY TO MOLEX ELECTRONIC TECHNOLOGIES, LLC AND SHOULD NOT BE USED WITHOUT WRITTEN PERMISSION DIMENSION UNITS: MM ONLY SCALE: 3:1	CURRENT REV DESC: EC NO: 602373 DRWN: DSHETTY01 2018/05/25 CHK'D: MVANSLAMBROU 2018/10/04 APPR: MVANSLAMBROU 2018/10/04	 MX150 BLADE SINGLE ROW SEALED ASSY MAT SEAL		
	GENERAL TOLERANCES (UNLESS SPECIFIED) ANGULAR TOL ± 1.0° 4 PLACES ± 3 PLACES ± 2 PLACES ± 0.1 1 PLACE ± 0.2 0 PLACES ± DRAFT WHERE APPLICABLE MUST REMAIN WITHIN DIMENSIONS	INITIAL REVISION: DRWN: APROFFITT 2015/07/21 APPR: KDEKOSKI 2016/06/14	PRODUCT CUSTOMER DRAWING DOCUMENT NUMBER: SD-33481-0001 DOC TYPE: PSD DOC PART: 001 REVISION: A1	MATERIAL NUMBER: SEE NOTE 2a. CUSTOMER: GENERAL MARKET SHEET NUMBER: 4 OF 9	

SHEET DESCRIPTION
BACKSHELL CONFIGURATIONS

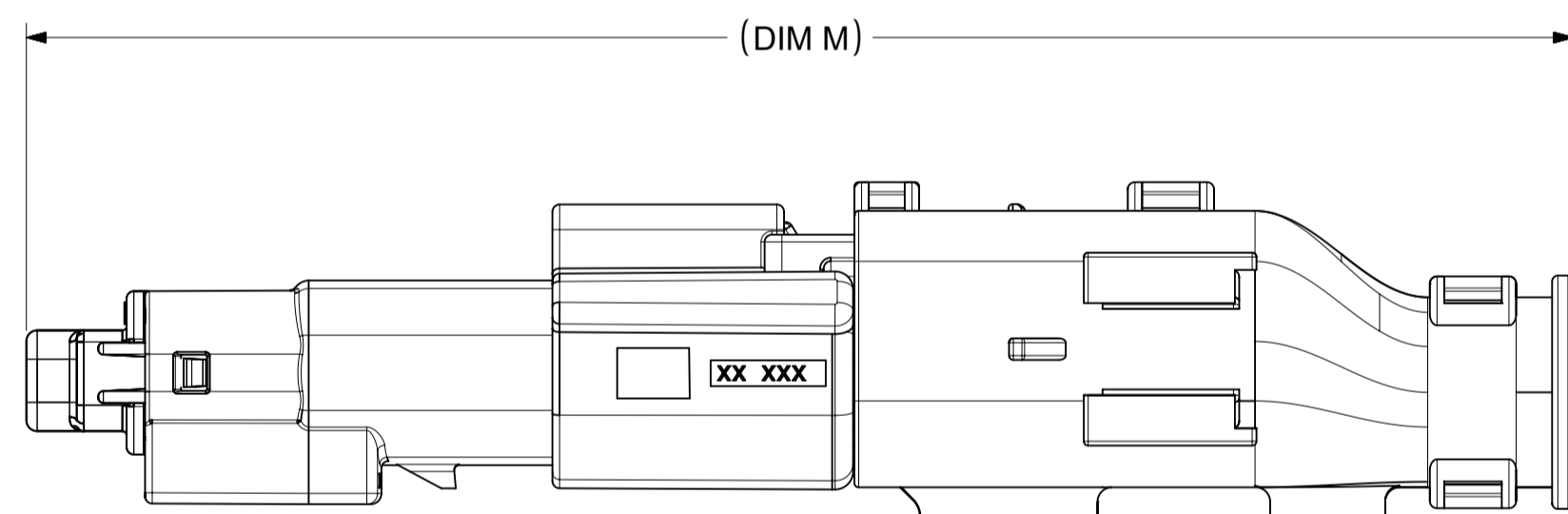
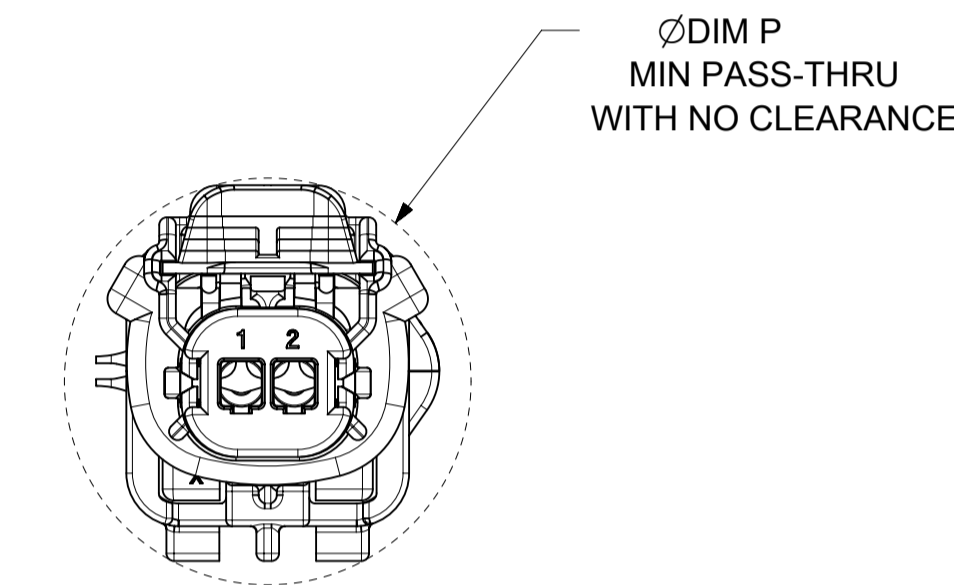
CKT	BLADE CONFIGURATION	RECEPTACLE CONFIGURATION	DIMENSIONS				
			M	N	P	R	S
1X2	STANDARD	STANDARD	107.84	29.50	27.00	26.25	25.00



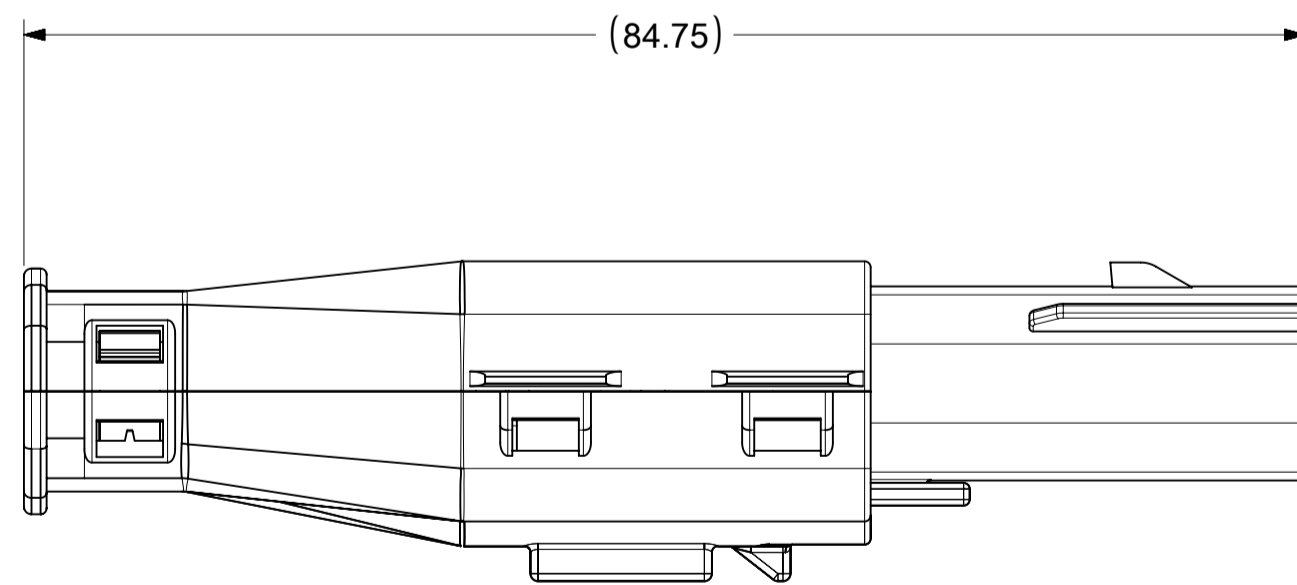
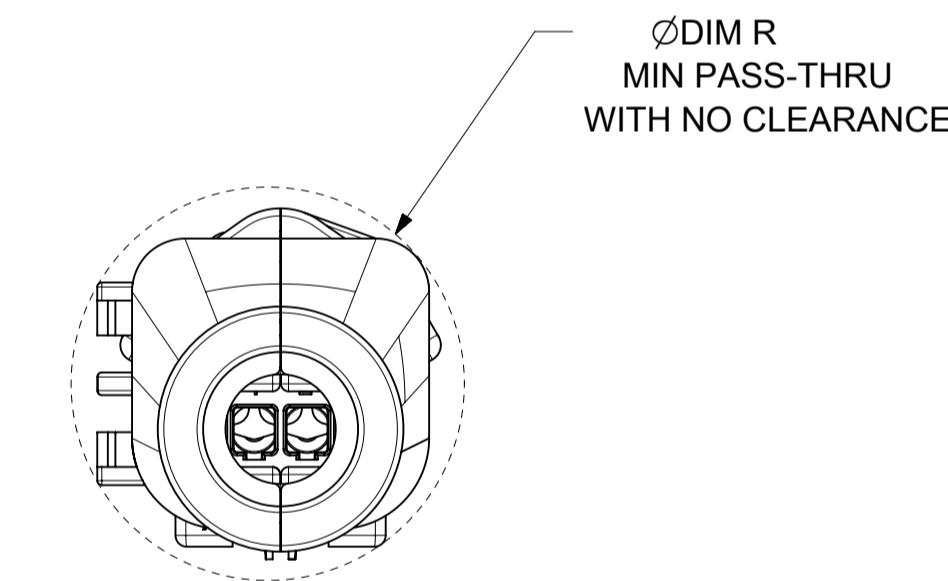
OVERALL MATED SYSTEM WITH BLADE AND RECEPTACLE BACKSHELL



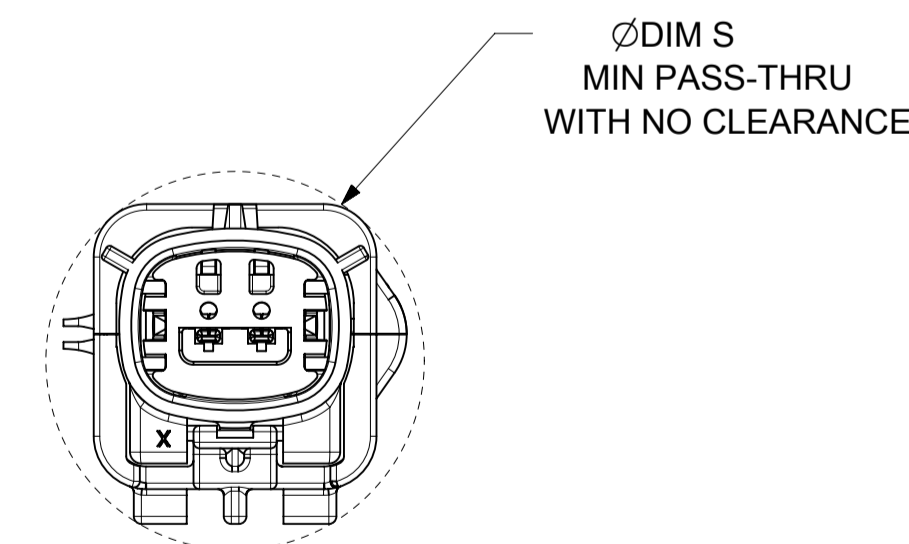
OVERALL MATED SYSTEM WITH BLADE BACKSHELL



OVERALL MATED SYSTEM WITH RECEPTACLE BACKSHELL



BLADE SEALED ASSEMBLY WITH BLADE BACKSHELL



SYMBOLS = 0 = 0 = 0 = 0 = 0 = 0 = 0	THIS DRAWING CONTAINS INFORMATION THAT IS PROPRIETARY TO MOLEX ELECTRONIC TECHNOLOGIES, LLC AND SHOULD NOT BE USED WITHOUT WRITTEN PERMISSION DIMENSION UNITS: MM ONLY SCALE: 2:1	CURRENT REV DESC: EC NO: 602373 DRWN: DSHETTY01 2018/05/25 CHK'D: MVANSLAMBROU 2018/10/04 APPR: MVANSLAMBROU 2018/10/04 INITIAL REVISION: DRWN: APROFFITT 2015/07/21 APPR: KDEKOSKI 2016/06/14	 MX150 BLADE SINGLE ROW SEALED ASSY MAT SEAL		
	GENERAL TOLERANCES (UNLESS SPECIFIED) ANGULAR TOL ± 1.0° 4 PLACES ± 3 PLACES ± 2 PLACES ± 0.1 1 PLACE ± 0.2 0 PLACES ±	PRODUCT CUSTOMER DRAWING DOCUMENT NUMBER: SD-33481-0001 DOC TYPE: PSD DOC PART: 001 REVISION: A1	MATERIAL NUMBER: SEE NOTE 2a. CUSTOMER: GENERAL MARKET SHEET NUMBER: 9 OF 9		