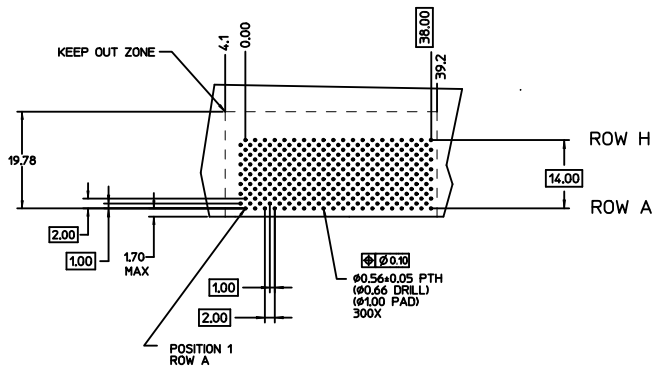
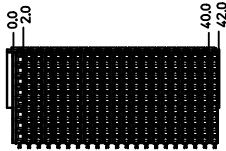
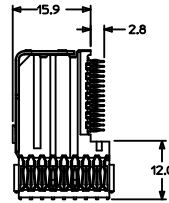
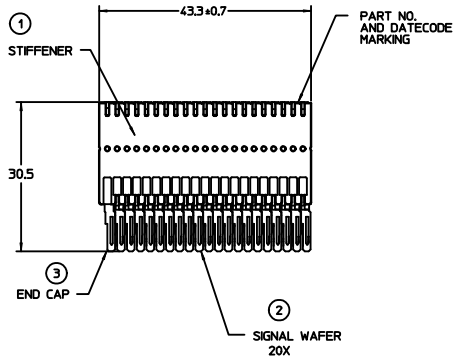


CUSTOMER: ECI



DAUGHTERCARD HOLE PATTERN (CONNECTOR SIDE)

NOTES:

1. MATERIALS: HOUSING : LIQUID CRYSTAL POLYMER (LCP) GLASS-FILLED, UL94V-0, BLACK. TERMINALS: COPPER ALLOY STIFFENER: STAINLESS STEEL
2. FINISH: SELECTIVE GOLD (Au) 0.76 micrometer MINIMUM IN CONTACT AREA, SELECTIVE MATTE TIN (Sn) IN TAIL AREA, NICKEL (Ni) UNDERPLATE OVERALL.
3. REFER TO MOLEX PRODUCT SPECIFICATION PS-74031-999 FOR PERFORMANCE SPECIFICATIONS.
4. PARTS TO BE PACKAGED PER PK-70873-5041.
5. THIS PART CONFORMS TO CLASS 'B' REQUIREMENTS OF MOLEX COSMETIC SPECIFICATION PS-45499-002.
6. REFER TO MOLEX DOCUMENT SD-74041-002 FOR ADDITIONAL DETAIL ON THE SIGNAL WAFER.
7. REFER TO MOLEX DOCUMENT E-74038-002 FOR ADDITIONAL DETAIL ON THE END CAP.
8. LABEL MARKED WITH MOLEX PART NUMBER AND DATE CODE. LABEL MAY BE REPLACED WITH LASER MARKING ON THE STIFFENER.

LEAD-FREE  
PLATING ON  
SIGNALS AND  
SHIELDS

ITEM	PART NUMBER	DESCRIPTION	QTY
1	74046-0043	STIFFENER	1
2	74041-1001	SIGNAL WAFER, LF	20
3	74038-1001	END CAP	1

<b>CHG TO LEAD-FREE</b> ECI NO: UCP2011-3282 DRAWN BY: DRWN:WOLFE CHECKED BY: CHK:DANIELLEY APPR:SMILLER 2011/02/15 2011/02/15 2011/05/09	QUALITY SYMBOLS	GENERAL TOLERANCES (UNLESS SPECIFIED)	DIMENSION STYLE	SCALE	DESIGN UNITS	THIRD ANGLE PROJECTION	
	$\nabla=0$ $\nabla=0$ $\nabla=0$	mm INCH	MM ONLY	1:1	METRIC		
	4 PLACES ± --- ± --- 3 PLACES ± --- ± --- 2 PLACES ± 0.25 ± --- 1 PLACE ± 0.38 ± --- ANGULAR ±1/2°	DRAWN BY: JJONIAK CHECKED BY: JL AURX APPROVED BY: SMILLER DATE: 2004/03/02 DATE: 2004/03/02 DATE: 2011/05/09	TITLE	VHDM 8 ROW, LF DAUGHTERCARD SALES DRAWING			
	DRAFT WHERE APPLICABLE MUST REMAIN WITHIN DIMENSIONS	MATERIAL NO: 74040-1007 DOCUMENT NO: SD-74040-1007	MOLEX INCORPORATED	SHEET NO: 1 OF 1			