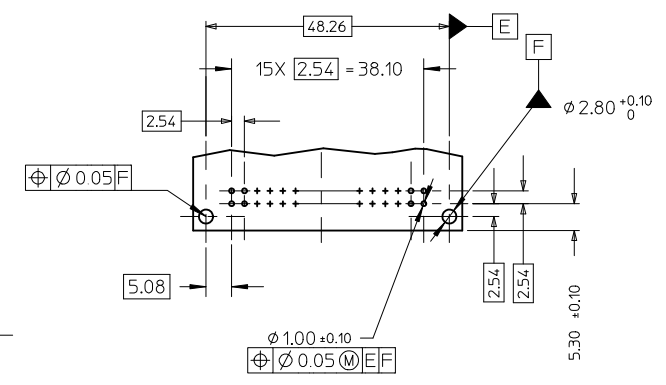
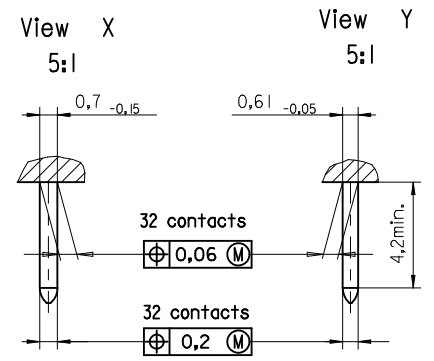


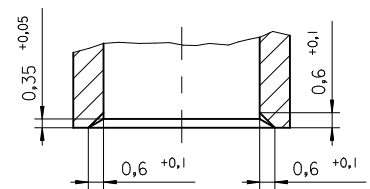
RECOMMENDED PCB LAYOUT
COMPONENT SIDE



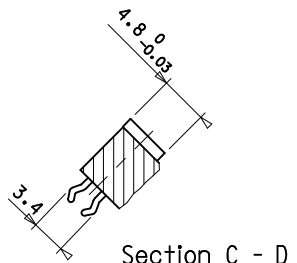
RECOMMENDED PCB THICKNESS - 1.6MM



Section A - B
5:1



Section C - D



ENTER DESCRIPTION EC NO: 12011-0346 DRWN: VUTTARKAR 2011/08/31 CHKD: KRASAD APPR: KRASAD 2011/09/02	QUALITY SYMBOLS $\nabla_{\text{A}} = 0$ $\nabla_{\text{C}} = 0$ $\nabla_{\text{F}} = 0$	GENERAL TOLERANCES (UNLESS SPECIFIED)		DIMENSION STYLE MM ONLY		SCALE	DESIGN UNITS	FIRST ANGLE PROJECTION		
			mm	INCH	DRAWN BY	DATE	TITLE			
		4 PLACES	± ---	± ---	VUTTARKAR		32POS. MALE CONNECTOR ACC. DIN 41612 STYLE B/2 DIMENSIONS	mox MOLEX INCORPORATED	DOCUMENT NO. SDA-85001-0002	SHEET NO. 1 OF 01
		3 PLACES	± ---	± ---	CHECKED BY	DATE				
2 PLACES	± ---	± ---	KRASAD							
1 PLACE	± ---	± ---	APPROVED BY	DATE						
ANGULAR ± ---°		DRAFT WHERE APPLICABLE MUST REMAIN WITHIN DIMENSIONS		MATERIAL NO. ---		THIS DRAWING CONTAINS INFORMATION THAT IS PROPRIETARY TO MOLEX INCORPORATED AND SHOULD NOT BE USED WITHOUT WRITTEN PERMISSION				

VIEW ON MATING SIDE

∞	B	B	B	B	B	B	B	B	B	B	B	B	B	B	B
◁	A	A	A	A	A	A	A	A	A	A	A	A	A	A	A

1 2 3 4 5 6 7 8 9 10 11 12 13 14 15 16 17 18 19 20 21 22 23 24 25 26 27 28 29 30 31 32

A = 16 STANDARD CONTACTS L=3

B = 16 STANDARD CONTACTS L=3

S = 32 TOTAL NUMBER OF CONTACTS

Marking	Standard
Performance level	G1/O = Contact area level / Termination fin
Flux proof	no
Fixing clip	no
Dimensions	SDA-85001-0002 sht.1
Technical Data	PS-85003-0001

B	G1/O
A	G1/O
Contact symbol	Perform. level
Contact position number	

C	see ECN No. 2204
	96/07/18 Cd
LTR	REVISIONS
FOR PREVIOUS REVISIONS SEE MRI LIST	

UNLESS OTHERWISE SPECIFIED TOLERANCES: ANGULAR ± 2°	DRWG BY	SIGN
INCH	Cd	
3 PLACE ± .	CHK'D BY	SIGN
2 PLACE ± .	KN	
1 PLACE ± .	APP'D BY	SIGN
DRAFT WHERE APPLICABLE MUST REMAIN WITHIN DIMENSIONS	SCALE	
DESIGN DIMENSION <input type="checkbox"/> MM <input type="checkbox"/> IN.		
EQUIVALENT DIMENSION <input type="checkbox"/> MM <input type="checkbox"/> IN.		
IF TWO DIMENSIONS ARE SHOWN, THE UPPER IS THE DESIGN DIMENSION, LOWER IS SECONDARY		

REVISE ONLY ON CAD SYSTEM	SH. REV.
CAD/CAM PROJECT NAME	THIS DRAWING CONTAINS PROPRIETARY TO MOLEX INC. & SHOULD NOT BE USED WITHOUT WRITTEN PERMISSION
s8500102	s81
TITLE	
32 pos. Male connector acc. DIN 41612 style B/2 contacts arrangement	
MOLEX®	MOLEX EUROPE
SHEET NO.	DATE
1 OF 1	95/05/23
PART NO.	DWG NO.
85001-0282	SDA-85001-0282
	SIZE
	A