

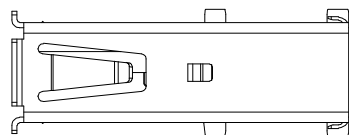
1

2

3

4

5



Specifications:

Current Rating:1.5A AC/DC

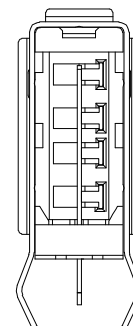
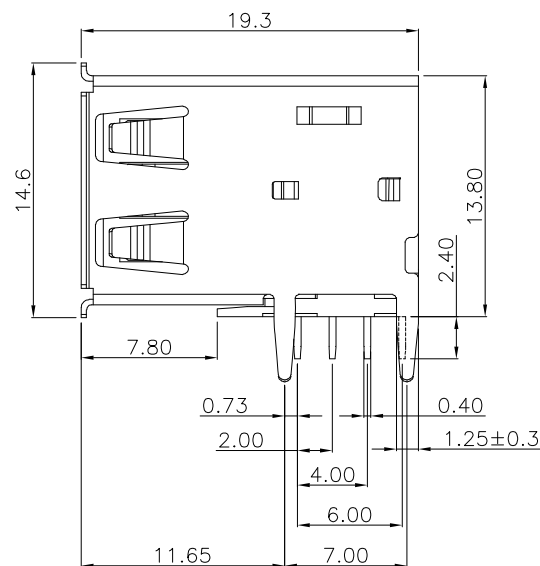
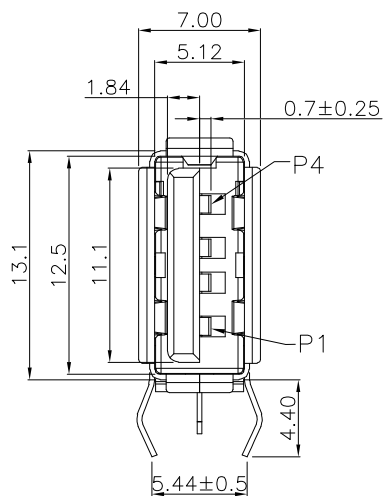
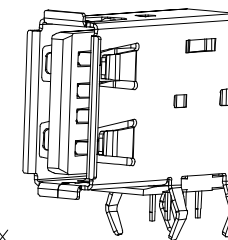
Voltage Rating:30V AC/DC

Contact Resistance:20m ohm. Max.

Insulation Resistance:1,000M ohm. min.

Withstanding Voltage:750V AC For One Minute

Operating Temperature Range:-40°C ~ +105°C



Material And Finish

Insulator:PBT (UL94V-0)

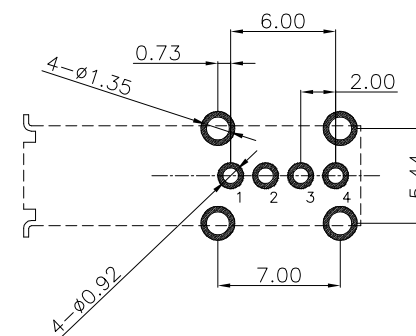
Bottom Cover:Nylon 9T(UL94V-0)

Color:White

Contact:Brass

Plating:30u" Gold Plated on Contact Area,
Tin Plated on Solder Tail.

Shell:Brass With Nickel Plated



RoHS Compliant

DRAWN:

GENERAL TOLERANCE:

.X=±0.20

.XX=±0.10

CnC Tech

Industrial Cable and Connector Technology

CHECKED:

UNIT: MM

DESCRIPTION:

USB A PCB Socket Straight, 30u"

SIZE

APPROVAL:

SCALE:1:1

PART NO:

1002-014-01000

A4

05-FEB-2020

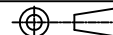
REV

DATE

FILE

BY

PROJECTION:



A

B

C

D