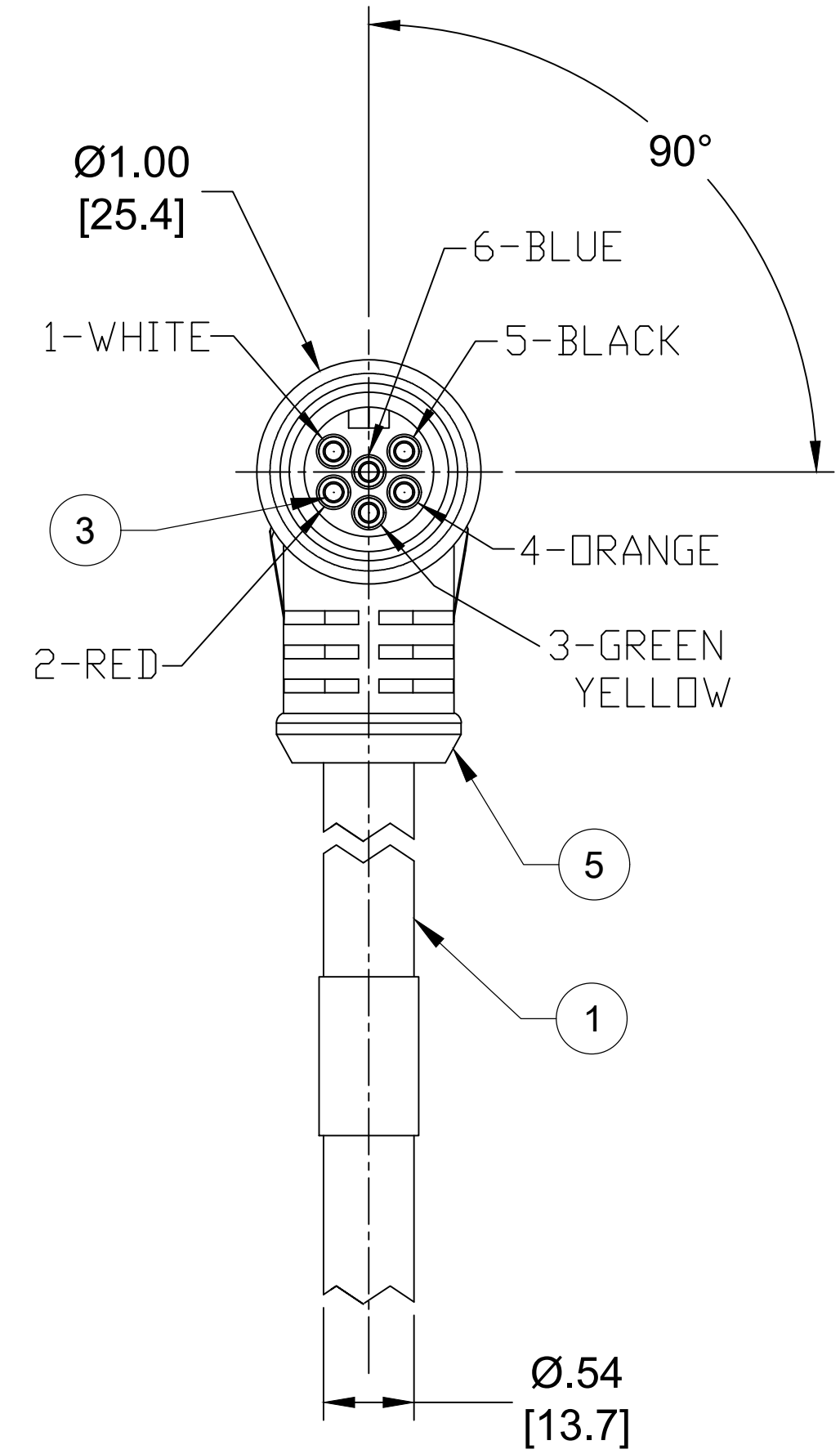
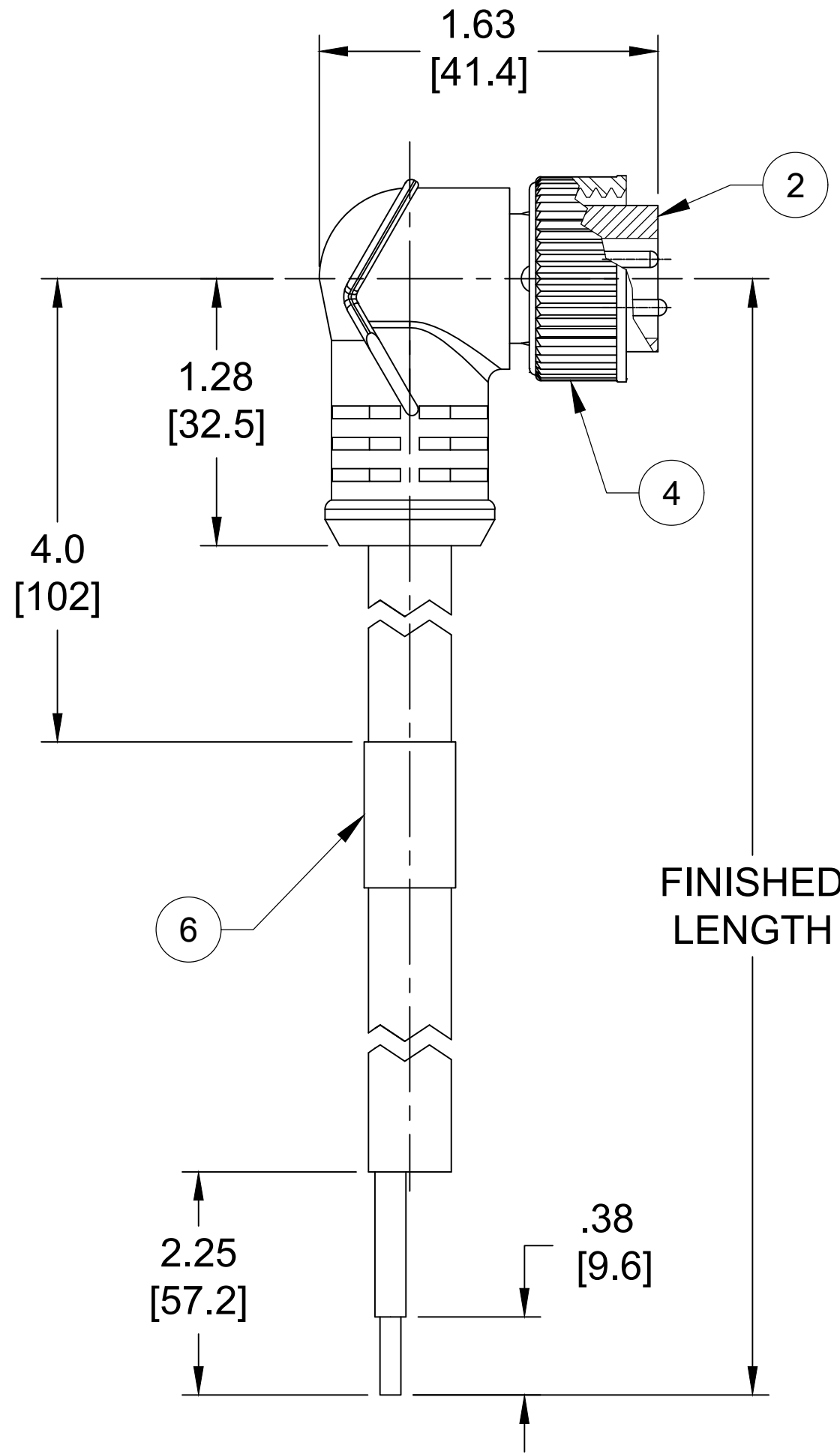
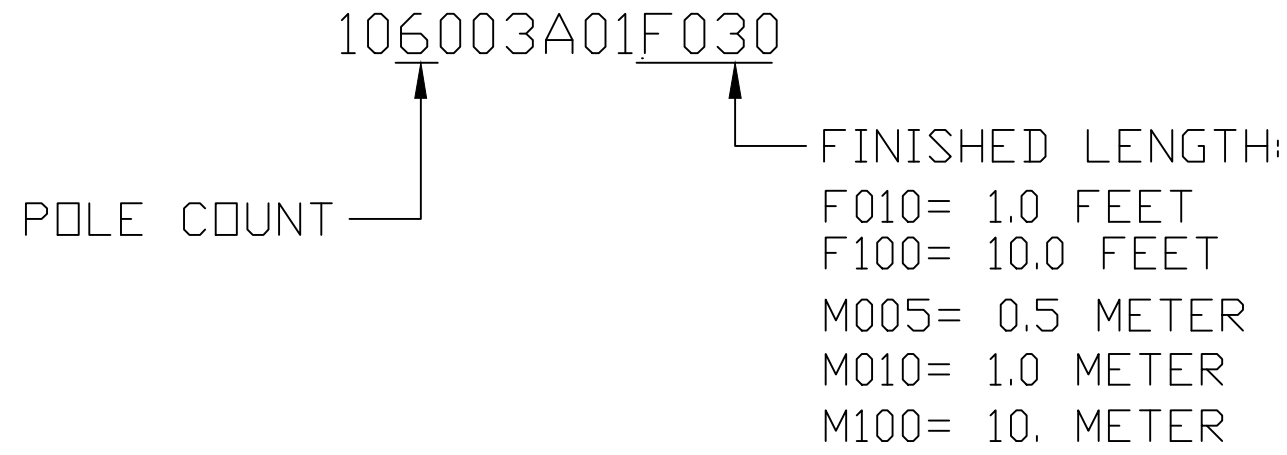


PART NO.	ENGINEERING NO.	FINISHED LENGTH
1300061700	106003A01F030	3.0FT [9.1M]
1300061703	106003A01F060	6.0FT [1.8M]
1300061713	106003A01F200	20FT [6.1M]

REF. THIS DRAWING SUPERSEDES SD-130006-035 REV-1 (A)

PART NUMBER LEGEND



- NOTES:**
- MATERIAL: AS NOTED
 - FINISH: AS NOTED
 - ELECTRICAL:
VOLTAGE: 400V PER IEC60664
600V PER UL2238
CURRENT: 8A
 - TEMP RATING: -20°TO +80°C
 - PROTECTION: IP67 (WHEN MATED)
 - COUPLING THREAD: 7/8-16UN
 - UL RECOGNIZED FILE: E152210
CSA CERTIFIED FILE: LR6837
 - ALL DIMS ARE FOR REFERENCE UNLESS TOLERANCED OR NOTED OTHERWISE

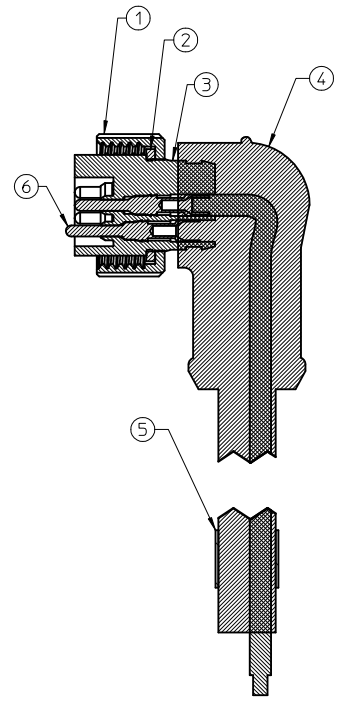
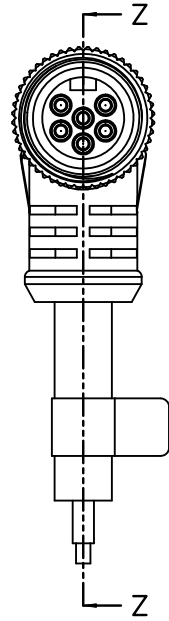
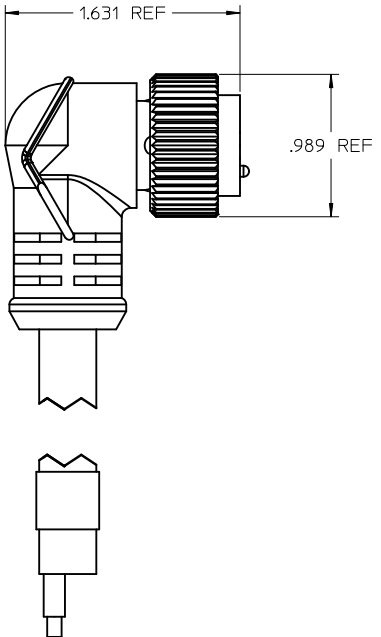
CABLE LENGTH TOLERANCES	
>.3M [1FT]:	+19mm-0 [+ .75in-0]
.3 - .9M [1 - 3FT]:	+44.5mm-0 [+1.75in-0]
.9 - 1.8M [3 - 6FT]:	+55.6mm-0 [+2.19in-0]
1.8 - 3.7M [6 - 12FT]:	+88.9mm-0 [+3.50in-0]
3.7 - 7.3M [12 - 24FT]:	+165.1mm-0 [+6.50in-0]
7.3-14.6M [24 - 48FT]:	+317.5mm-0 [+12.50in-0]
14.6 - 30.5M [48-100FT]:	+622.3mm-0 [+24.50in-0]
OVER 30M [100FT]	+2% OF FINISHED LENGTH

ITEM	DESCRIPTION	MATERIAL	FINISH
6	WRAP LABEL	VINYL	BLACK/YELLOW
5	OVERMOLD	TPE	YELLOW
4	COUPLING NUT, INT. THD	ZINC DIE-CAST	NICKEL PLATED
3	CONTACT PIN	COPPER ALLOY	GOLD PLATED
2	MALE INSERT	TPE	YELLOW
1	CABLE, 16/6, ST00W	PVC JACKET	YELLOW

SYMBOLS DIMENSION UNITS: INCH/MM SCALE: 1:1 CURRENT REV DESC: REDRAWN, WAS SD-130006-035				molex MINI CHANGE CABLE ASSY, 6P, MALE, 90 DEG 16AWG, ST00W, INTERNAL THREAD PRODUCT CUSTOMER DRAWING							
GENERAL TOLERANCES (UNLESS SPECIFIED) 4 PLACES ± .004 ± .004 3 PLACES ± .005 ± .005 2 PLACES ± .006 ± .006 1 PLACE ± .007 ± .007 0 PLACES ± .008 ± .008 ANGULAR TOL ± .004 ° DRAFT WHERE APPLICABLE MUST REMAIN WITHIN DIMENSIONS				EC NO: 624117 DRWN: RSTONE 2019/09/10 CHK'D: MZIELINSKI 2019/09/19 APPR: BWOODMAN 2019/10/03 INITIAL REVISION: DRWN: RSTONE 2019/09/10 APPR: BWOODMAN 2019/10/03 THIRD ANGLE PROJECTION DRAWING: C-SIZE SERIES: 130006							
DOCUMENT STATUS: P1		RELEASE DATE: 2019/10/03 19:14:56		DOCUMENT NUMBER: 1300061700		DOC TYPE: PSD		DOC PART: 000		REVISION: A	
MATERIAL NUMBER: ----				CUSTOMER: ----				SHEET NUMBER: 1 OF 1			

FRONT VIEW - MALE ASSEMBLY

1. WHITE 2. BLACK	1. GREEN/YELLOW 2. BLACK 3. WHITE	1. BLACK 2. WHITE 3. RED 4. GREEN/YELLOW	1. WHITE 2. RED 3. GREEN/YELLOW 4. ORANGE 5. BLACK	1. WHITE 2. RED 3. GREEN/YELLOW 4. ORANGE 5. BLACK 6. BLUE



ENTER DESCRIPTION EC NO: WNA2010-0429 DRWIN: BWOODMAN 2010/01/12 CHKD: 2010/01/14 APPR: JFMURPHY 2010/01/14	QUALITY SYMBOLS ▽=0 ▽=0	GENERAL TOLERANCES (UNLESS SPECIFIED)		DIMENSION STYLE	SCALE	DESIGN UNITS	THIRD ANGLE PROJECTION		
				IN/MM	15:1	INCH			
		4 PLACES	±	---	±	---	TITLE		
		3 PLACES	±	---	±	---	MC 6P MP 90D 16/4 STOOV		
2 PLACES	±	---	±	---	DRAWN BY DATE				
1 PLACE	±	---	±	---	CHECKED BY DATE				
		ANGULAR ±1/2°		APPROVED BY DATE		MATERIAL NO.			
		DRAFT WHERE APPLICABLE MUST REMAIN WITHIN DIMENSIONS		JFMURPHY 2010/01/14		DOCUMENT NO.			
				9999999999		SD-130006-035			
				SIZE C		SHEET NO.			
				THIS DRAWING CONTAINS INFORMATION THAT IS PROPRIETARY TO MOLEX INCORPORATED AND SHOULD NOT BE USED WITHOUT WRITTEN PERMISSION		1 OF 2			

MINI A SIZE 90° MALE ASSEMBLY

2 POLE	3 POLE	4 POLE	5 POLE	6 POLE
--------	--------	--------	--------	--------

Sl. No.	DESCRIPTION	MATERIAL	FINISH	QUANTITY				
1	COUPLING NUT	ZINC DIECAST	BLACK E-COATED	1	1	1	1	1
2	FRICTION RING	NYLON	NATURAL	1	1	1	1	1
3	2P MALE INSERT PVC A SIZE	PVC	YELLOW	1				
	3P MALE INSERT PVC A SIZE	PVC	YELLOW		1			
	4P MALE INSERT PVC A SIZE	PVC	YELLOW			1		
	5P MALE INSERT PVC A SIZE	PVC	YELLOW				1	
	6P MALE INSERT PVC A SIZE	PVC	YELLOW					1
4	#16 AWG YELLOW STOOW/ST CORD	PVC JACKET	YELLOW	2	3	4	5	6
5	LABEL.WRAP AROUND LABEL-2 x 3	PLASTIC FILM	BLACK/YELLOW	1	1	1	1	1
6	PIN CONTACT	COPPER ALLOY	GOLD PLATED	1	1	1	1	1

POLE COUNT	MAX. VOLTAGE RATING	MAX. CURRENT RATING	CABLE DIAMETER
2 POLE	600 VOLTS	13 AMPS	.37" /9.4mm
3 POLE	600 VOLTS	13 AMPS	.41" /10.4mm
4 POLE	600 VOLTS	10 AMPS	.42" /10.7mm
5 POLE	600 VOLTS	8 AMPS	.50" /12.7mm
6 POLE	600 VOLTS	8 AMPS	.54" /13.7mm

PART NUMBER	DESCRIPTION	FINISHED LENGTH
1300060192	102003A01F030	3' +1.75" -0 [.9M + 44.5 -0]
1300060194	102003A01F060	6' +2.19" -0 [1.8M + 55.6 -0]
1300060196	102003A01F120	12' +3.50" -0 [3.7M +88.9 -0]
1300060200	102003A01F200	20' +6.50" -0 [6.1M +165.1 -0]
1300060643	103003A01F030	3' +1.75" -0 [.9M + 44.5 -0]
1300060647	103003A01F060	6' +2.19" -0 [1.8M + 55.6 -0]
1300060651	103003A01F120	12' +3.50" -0 [3.7M +88.9 -0]
1300060657	103003A01F200	20' +6.50" -0 [6.1M +165.1 -0]
1300061084	104003A01F030	3' +1.75" -0 [.9M + 44.5 -0]
1300061087	104003A01F060	6' +2.19" -0 [1.8M + 55.6 -0]
1300061090	104003A01F120	12' +3.50" -0 [3.7M +88.9 -0]
1300061095	104003A01F200	20' +6.50" -0 [6.1M +165.1 -0]
1300061516	105003A01F030	3' +1.75" -0 [.9M + 44.5 -0]
1300061518	105003A01F060	6' +2.19" -0 [1.8M + 55.6 -0]
1300061521	105003A01F120	12' +3.50" -0 [3.7M +88.9 -0]
1300061524	105003A01F200	20' +6.50" -0 [6.1M +165.1 -0]
1300061700	106003A01F030	3' +1.75" -0 [.9M + 44.5 -0]
1300061703	106003A01F060	6' +2.19" -0 [1.8M + 55.6 -0]
1300061706	106003A01F120	12' +3.50" -0 [3.7M +88.9 -0]
1300061713	106003A01F200	20' +6.50" -0 [6.1M +165.1 -0]

ENTER DESCRIPTION EC NO: MNA2010-0429 DRWN:WOODMAN 2010/01/12 CHKD: 2010/01/14 APPR:JFMURPHY 2010/01/14 1	QUALITY SYMBOLS 	GENERAL TOLERANCES (UNLESS SPECIFIED)		DIMENSION STYLE IN/MM	SCALE 3:1	DESIGN UNITS INCH	THIRD ANGLE PROJECTION		
		4 PLACES ± --- ± --- 3 PLACES ± --- ± --- 2 PLACES ± --- ± --- 1 PLACE ± --- ± ---	DRAWN BY NKUMAR01	DATE 01/11/2010	TITLE MC 6P MP 90D 16/4 STOOW				
		ANGULAR ±1/2°	CHECKED BY BWOODMAN	DATE 01/11/2010	MOLEX INCORPORATED				
		DRAFT WHERE APPLICABLE MUST REMAIN WITHIN DIMENSIONS	APPROVED BY JFMURPHY	DATE 2010/01/14	MATERIAL NO. 9999999999	DOCUMENT NO. SD-130006-035	SHEET NO. 2 OF 2	THIS DRAWING CONTAINS INFORMATION THAT IS PROPRIETARY TO MOLEX INCORPORATED AND SHOULD NOT BE USED WITHOUT WRITTEN PERMISSION	