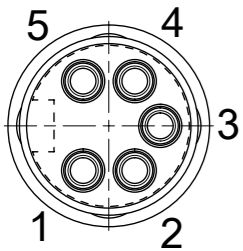


A-SIZE 5 POLE FEMALE



PIN	WIRE COLOR
1	DRAIN
2	RED
3	BLACK
4	WHITE
5	BLUE

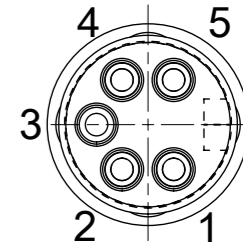
VIEW FROM THE WIRE SIDE

MOLEX PN	ENGINEERING No	FINISHED LENGTH
1300250283	DND11A-M003	11.8 IN (0.3 M)
1300250302	DND11A-M100	32 FT 9.7 IN (10.0 M)
1300250308	DND11A-M240	78 FT 8.9 IN (24.0 M)

(C1)

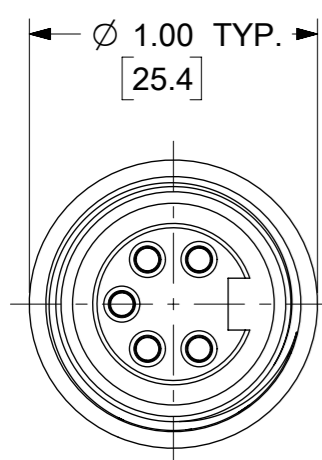
CABLE LENGTH TOLERANCES
 <.3M [1FT]: +19mm-0 [+ .75in-0]
 .3 - .9M [1 - 3FT]: +44.5mm-0 [+1.75in-0]
 .9 - 1.8M [3 - 6FT]: +55.6mm-0 [+2.19in-0]
 1.8 - 3.7M [6 - 12FT]: +88.9mm-0 [+3.50in-0]
 3.7 - 7.3M [12 - 24FT]: +165.1mm-0 [+6.50in-0]
 7.3-14.6M [24 - 48FT]: +317.5mm-0 [+12.50in-0]
 14.6 - 30.5M [48-100FT]: +622.3mm-0 [+24.50in-0]
 OVER 30M [100FT] +2% OF FINISHED LENGTH

A-SIZE 5 POLE MALE

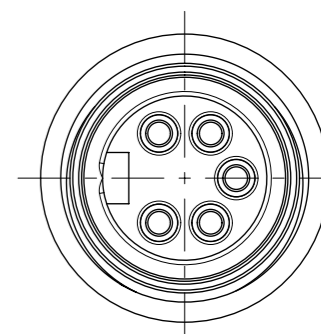
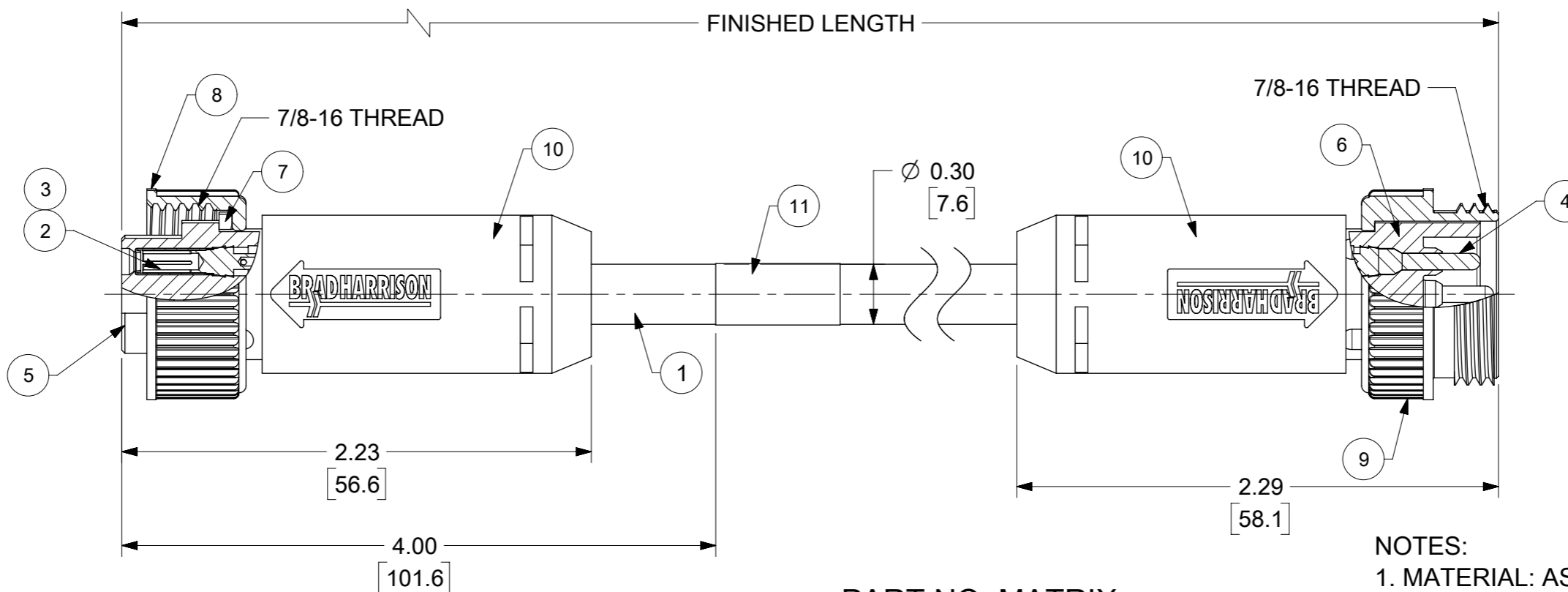


PIN	WIRE COLOR
1	DRAIN
2	RED
3	BLACK
4	WHITE
5	BLUE

VIEW FROM THE WIRE SIDE



FEMALE FACE VIEW



MALE FACE VIEW

PART NO. MATRIX
 DND11A-M010

FINISHED LENGTH
 M005= 0.5 METER
 M010= 1 METER
 M100= 10 METER

NOTES:

1. MATERIAL: AS NOTED
2. FINISH: AS NOTED
3. ELECTRICAL SPECIFICATIONS
 VOLTAGE RATING: 300V PER IEC60664
 300V PER UL2238
 CURRENT RATING: 4A
4. TEMP RANGE: -20°C TO +80°C
5. PROTECTION: IP67 (WHEN MATED)
6. UL RECOGNIZED FILE: E152210
 CSA CERTIFICATION FILE: LR6837
7. ALL DIMS ARE FOR REFERENCE UNLESS TOLERANCED OR NOTED OTHERWISE

11	LABEL	VINYL	BLACK/YELLOW
10	OVERMOLD	TPE	GRAY
9	COUPLING NUT, MALE THREAD	ZINC DIE CAST	BLACK E-COAT
8	COUPLING NUT, FEMALE THREAD	ZINC DIE CAST	BLACK E-COAT
7	FRICTION RING	NYLON	WHITE
6	INSERT 5P MALE	TPE	GRAY
5	INSERT 5P FEMALE	TPE	GRAY
4	CONTACT PIN, 22 AWG	BRASS	GOLD PLATED
3	SOCKET SLEEVE	ST. STEEL	-
2	CONTACT SOCKET, 22 AWG	BRASS	GOLD PLATED
1	CABLE- THIN-STD, DEV-NET, DROP, 4/22	PVC JACKET	GRAY
ITEM	DESCRIPTION	MATERIAL	FINISH

FUNCTIONAL SYMBOLS	THIS DRAWING CONTAINS INFORMATION THAT IS PROPRIETARY TO MOLEX ELECTRONIC TECHNOLOGIES, LLC AND SHOULD NOT BE USED WITHOUT WRITTEN PERMISSION				
	DIMENSION UNITS	SCALE			CURRENT REV DESC: CORRECT FINISHED LENGTH FOR P/N 1300250283, WAS 3 METERS
$\sqrt{A} = 0$ $\sqrt{E} = 0$ $\sqrt{V} = 0$	INCH/MM	3:2	EC NO: 650829 DRWN: RSTONE 2020/12/07 CHK'D: CCHRASKA 2020/12/07 APPR: BWOODMAN 2020/12/08 INITIAL REVISION: DRWN: RSTONE 2009/07/31 APPR: JFMURPHY 2009/08/10		
GENERAL TOLERANCES (UNLESS SPECIFIED)					
ANGULAR TOL ± °					
4 PLACES ±					
DIVISIONAL SYMBOLS	3 PLACES ±			DOCUMENT NUMBER SD-130025-019	
	2 PLACES ±				DOC TYPE DOC PART REVISION PSD 001 C1
	1 PLACE ±				
	0 PLACES ±				
DRAFT WHERE APPLICABLE MUST REMAIN WITHIN DIMENSIONS		THIRD ANGLE PROJECTION	DRAWING	SHEET NUMBER	
			A3-SIZE	130025	
DOCUMENT STATUS		P1	RELEASE DATE	2020/12/08 22:36:08	
		9	8	7	
		6	5	4	
		3	2	1	