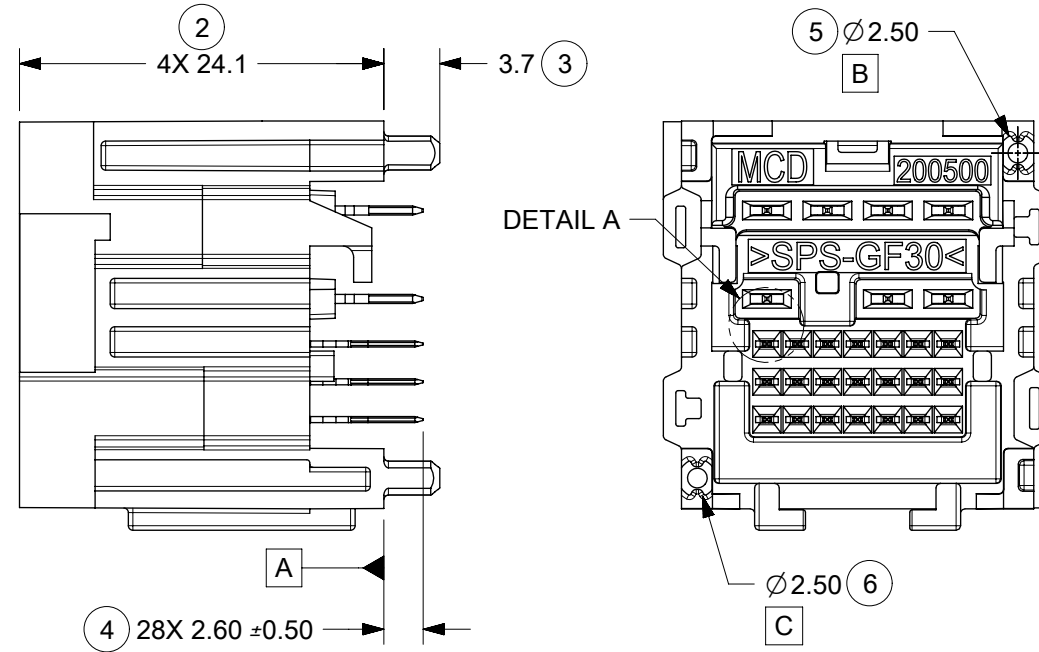


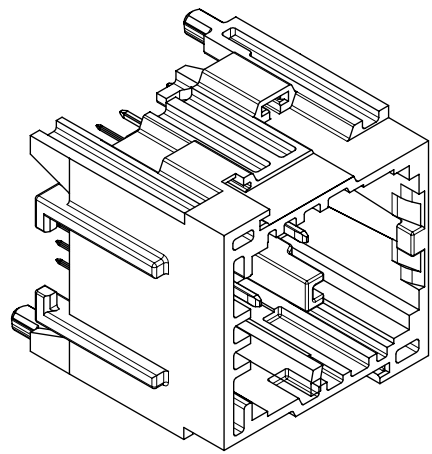
KEY 1
PART NO. 2005010281

SEE NOTE 3g



| PART NUMBER | KEY | COLOR | TERMINAL QUANTITIES | |
|-------------|-----|-----------|---------------------|-------|
| | | | 0.5mm | 1.2mm |
| 2005010281 | 1 | DARK GRAY | 21 | 7 |
| 2005010282 | 2 | GREEN | | |
| 2005010283 | 3 | GRAY | | |
| 2005010284 | 4 | BLACK | | |

FOUR (4) KEYS AVAILABLE
SEE INTERFACE DRAWING
SD-160014-002 FOR DEFINITION



NOTES: VALID UNLESS OTHERWISE SPECIFIED

1. GENERAL:

- a. APPLICATION SPECIFICATION 2005060000-AS
- b. PRODUCT SPECIFICATION 200506001-PS
CLASSIFICATIONS T1V1S1 TO GMW 3191 2012
DEGREE OF PROTECTION IP40 TO ISO 20653 WITH MOLEX MATING CONNECTOR
- c. PACKAGING SPECIFICATION PER MOLEX DRAWING

2. DESIGN - MATERIALS:

- a. HOUSING: SPS 30% GF
- b. BLADE TERMINALS:
 - 1. 0.5MM BLADES
BASE MATERIAL: COPPER ALLOY
CONDUCTIVITY ≥ 28% IACS @ 20°C
UNDERPLATE: OVERALL NICKEL
OVERPLATE: OVERALL TIN
 - 2. 1.2MM BLADES
BASE MATERIAL: COPPER ALLOY
CONDUCTIVITY ≥ 28% IACS @ 20°C
UNDERPLATE: OVERALL NICKEL
OVERPLATE: OVERALL TIN

3. DESIGN - GEOMETRY:

- a. ALL GRAPHIC DATA IS BASIC (NO TOLERANCE) AND MUST BE TAKEN FROM THE DATA FILE AT ITS LATEST REVISION.
- b. PRODUCT DESIGN MODEL NUMBER 2005010280
- c. GEOMETRIC DIMENSIONS AND TOLERANCES PER ASME Y14.5-2009
- d. EDGES AND UNDIMENSIONED DETAILS PER ISO13715
- e. CORNERS SHOWN AS SHARP TO BE R 0.4 MAX.
- f. LETTERING SHALL BE MAX POSSIBLE FOR READABILITY.
THIS INCLUDES RECYCLING CODE, CAVITY ID, VENDOR IDENTIFICATION, AND CUSTOMER MATERIAL NUMBER.
- g. FOR BAY/POCKET DEFINITION SEE MOLEX INTERFACE DRAWING SD-160014-002
- h. MATING HARNESS CONNECTORS MOLEX PN:
1600140001 (KEY 1)
1600140002 (KEY 2)
1600140003 (KEY 3)
1600140004 (KEY 4)

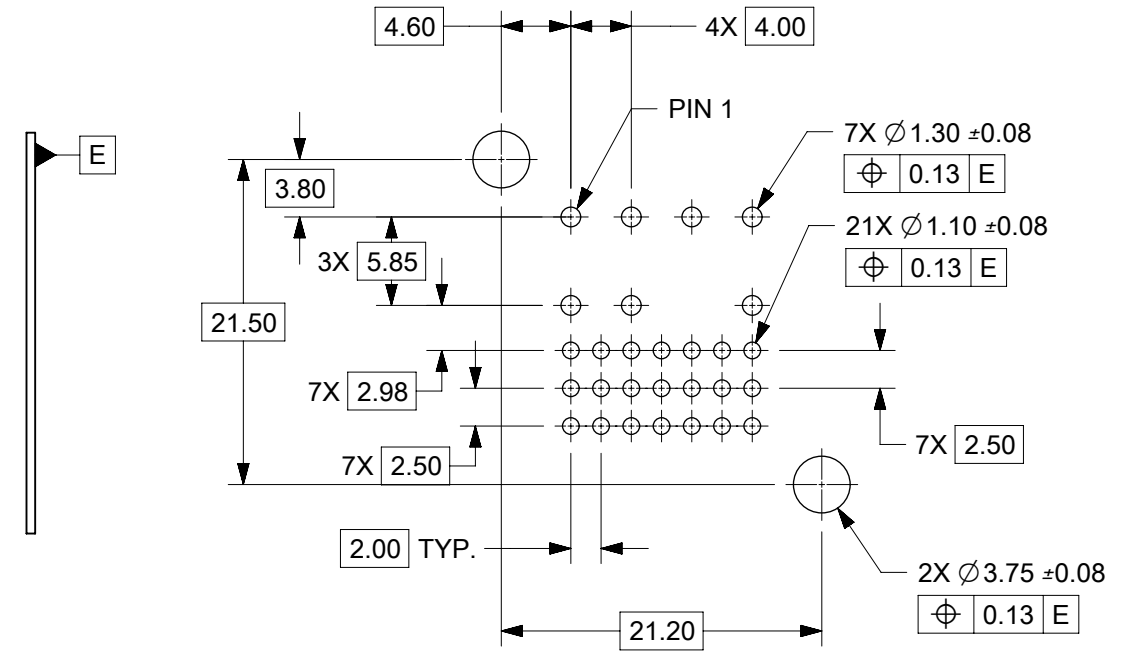
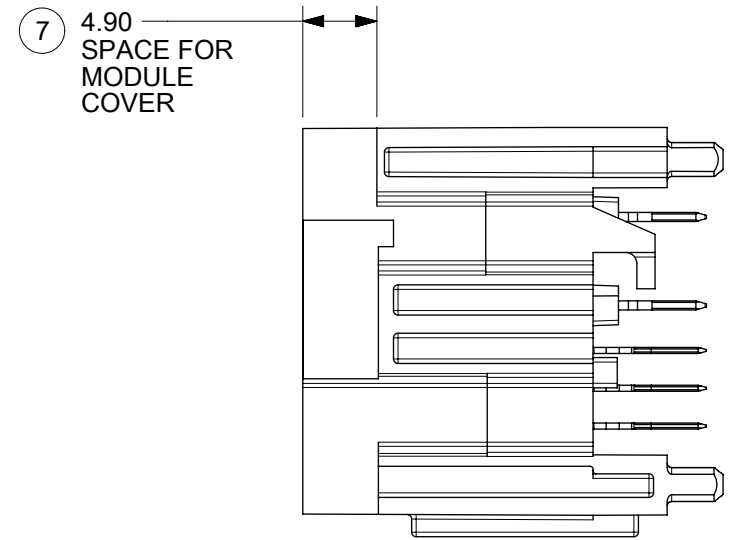
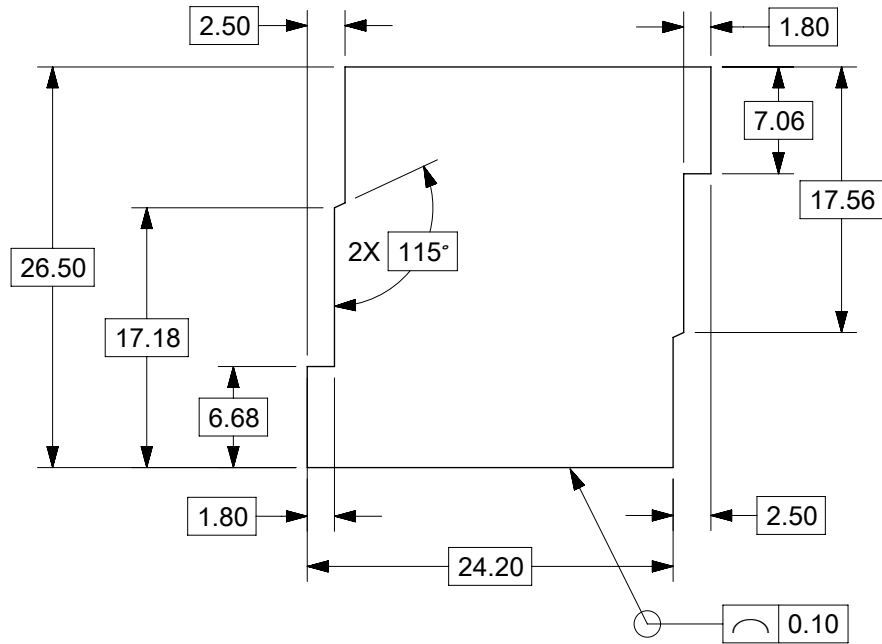
4. DESIGN - MANUFACTURING:

- a. VISUAL DEFECTS SHALL MEET COSMETIC STANDARD PS-45499-002 (CLASS B)
- b. REFLOW SOLDERABILITY PER SMES-152

| |
|-------------------------------|
| INSPECTION BALLOON NUMBER LOG |
| PER DRAWING REVISION: C1 |
| LAST BALLOON NUMBER: 11B |
| ADDED BALLOON NUMBER: NONE |
| DELETED BALLOON NUMBER: NONE |

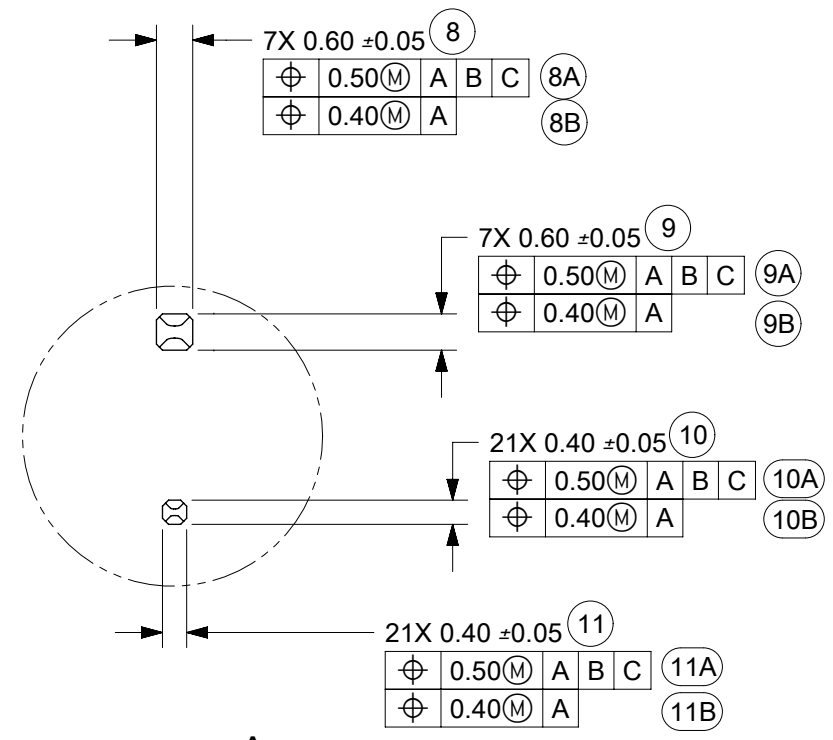
| | | | | | | | | | | | | | | | | | | | | | |
|--|--|-------|--|--------------------------------------|--|--|--|--|--|---|--|---------|--|--------------|--|-----------------|--|----------|--|--------------|--|
| FUNCTIONAL SYMBOLS | | | | | | | | | | THIS DRAWING CONTAINS INFORMATION THAT IS PROPRIETARY TO MOLEX ELECTRONIC TECHNOLOGIES, LLC AND SHOULD NOT BE USED WITHOUT WRITTEN PERMISSION | | | | | | | | | | | |
| DIMENSION UNITS | | SCALE | | CURRENT REV DESC: SEE REVISION SHEET | | | | | | | | | | | | | | | | | |
| mm | | 2:1 | | | | | | | | | | | | | | | | | | | |
| GENERAL TOLERANCES (UNLESS SPECIFIED) | | | | | | | | | | EC NO: 639277 | | | | | | | | | | | |
| ANGULAR TOL ± ° | | | | | | | | | | DRWN: YPENG47 2020/02/17 | | | | | | | | | | | |
| 4 PLACES ± 0.0 | | | | | | | | | | CHK'D: JRUTTER 2020/06/22 | | | | | | | | | | | |
| 3 PLACES ± 0.0 | | | | | | | | | | APPR: JCONDON 2020/06/23 | | | | | | | | | | | |
| 2 PLACES ± 0.13 | | | | | | | | | | INITIAL REVISION: | | | | | | | | | | | |
| 1 PLACE ± 0.25 | | | | | | | | | | DRWN: JRUTTER 2015/05/21 | | | | | | | | | | | |
| 0 PLACES ± 0.0 | | | | | | | | | | APPR: RBAUMAN 2016/08/22 | | | | | | | | | | | |
| DRAFT WHERE APPLICABLE MUST REMAIN WITHIN DIMENSIONS | | | | | | | | | | THIRD ANGLE PROJECTION | | DRAWING | | SERIES | | MATERIAL NUMBER | | CUSTOMER | | SHEET NUMBER | |
| | | | | | | | | | | B-SIZE | | 200501 | | 2005011280SD | | PSD 000 | | C1 | | | |
| DOCUMENT STATUS | | | | | | | | | | STAK50H MOD HDR 28 VERTICAL SINGLE ASM | | | | | | | | | | | |
| P1 | | | | | | | | | | PRODUCT CUSTOMER DRAWING | | | | | | | | | | | |
| RELEASE DATE | | | | | | | | | | DOCUMENT NUMBER | | | | | | | | | | | |
| 2020/06/23 15:14:22 | | | | | | | | | | 2005011280SD | | | | | | | | | | | |
| | | | | | | | | | | PSD 000 C1 | | | | | | | | | | | |
| | | | | | | | | | | 1 OF 2 | | | | | | | | | | | |

RECOMMENDED MODULE OPENING
TO PASS ISO 20653 IP40



PCB LAYOUT
FOR REFERENCE

FOR SINGLE-BAY HEADER ONLY
FOR MULTIPLE-BAY STACKED HEADER SEE DRAWING 2005050000



DETAIL A
SCALE 8:1

| | |
|----------|--|
| C1 | ADDED PCB HOLE DIMENSIONAL & POSITIONAL TOLERANCE 10-JUNE-2020 YPENG47 ECN:639277 |
| REVISION | DESCRIPTION |

| | | | | | | | | | |
|--|---------------------|---|---------------------------------------|--------------------------------------|---------------------------|-------------------|--|-----------------|--|
| FUNCTIONAL SYMBOLS | | THIS DRAWING CONTAINS INFORMATION THAT IS PROPRIETARY TO MOLEX ELECTRONIC TECHNOLOGIES, LLC AND SHOULD NOT BE USED WITHOUT WRITTEN PERMISSION | | CURRENT REV DESC: SEE REVISION SHEET | | molex | | | |
| \sqrt{A} = 0 | DIMENSION UNITS: mm | SCALE: 1:1 | GENERAL TOLERANCES (UNLESS SPECIFIED) | | EC NO: 639277 | | | | |
| \sqrt{E} = 0 | ANGULAR TOL ± ° | | 4 PLACES ± 0.0 | | DRWN: YPENG47 2020/02/17 | | STAK50H MOD HDR 28 VERTICAL SINGLE ASM | | |
| \sqrt{V} = 0 | 3 PLACES ± 0.0 | | 2 PLACES ± 0.13 | | CHK'D: JRUTTER 2020/06/22 | | PRODUCT CUSTOMER DRAWING | | |
| DIVISIONAL SYMBOLS | | 1 PLACE ± 0.25 | | 0 PLACES ± 0.0 | | INITIAL REVISION: | | DOCUMENT NUMBER | |
| DRAFT WHERE APPLICABLE MUST REMAIN WITHIN DIMENSIONS | | THIRD ANGLE PROJECTION | | DRAWING | | SERIES | | MATERIAL NUMBER | |
| | | B-SIZE | | 200501 | | 2015/05/21 | | 2005011280SD | |
| | | | | | | 2016/08/22 | | PSD 000 C1 | |
| | | | | | | | | CUSTOMER | |
| | | | | | | | | SHEET NUMBER | |
| | | | | | | | | 2 OF 2 | |