

NOTES

- ① 材質及び仕上げ(めっき仕様) : TABLE 1, TABLE 2 参照
MATERIAL AND FINISHES (PLATING SPECIFICATION) : SEE TABLE 1, TABLE 2.
- ② 嵌合相手 : 204532シリーズ
MATE WITH: 204532 SERIES
- ③ 極数/2=偶数 に適用
APPLY FOR CIRCUIT SIZE/2 = EVEN.
- 4. 製品仕様書 : 2045320001-PS PS 000
PRODUCT SPECIFICATION:2045320001-PS PS 000
コネクタ取扱説明書 : AS-505565-001 PS 001
APPLICATION SPECIFICATION: AS-505565-001 PS 001
- 5. ターミナルとネイルの平坦度は0.1mm 以下
TERMINAL AND NAIL COPLANARITY : 0.1mm MAXIMUM

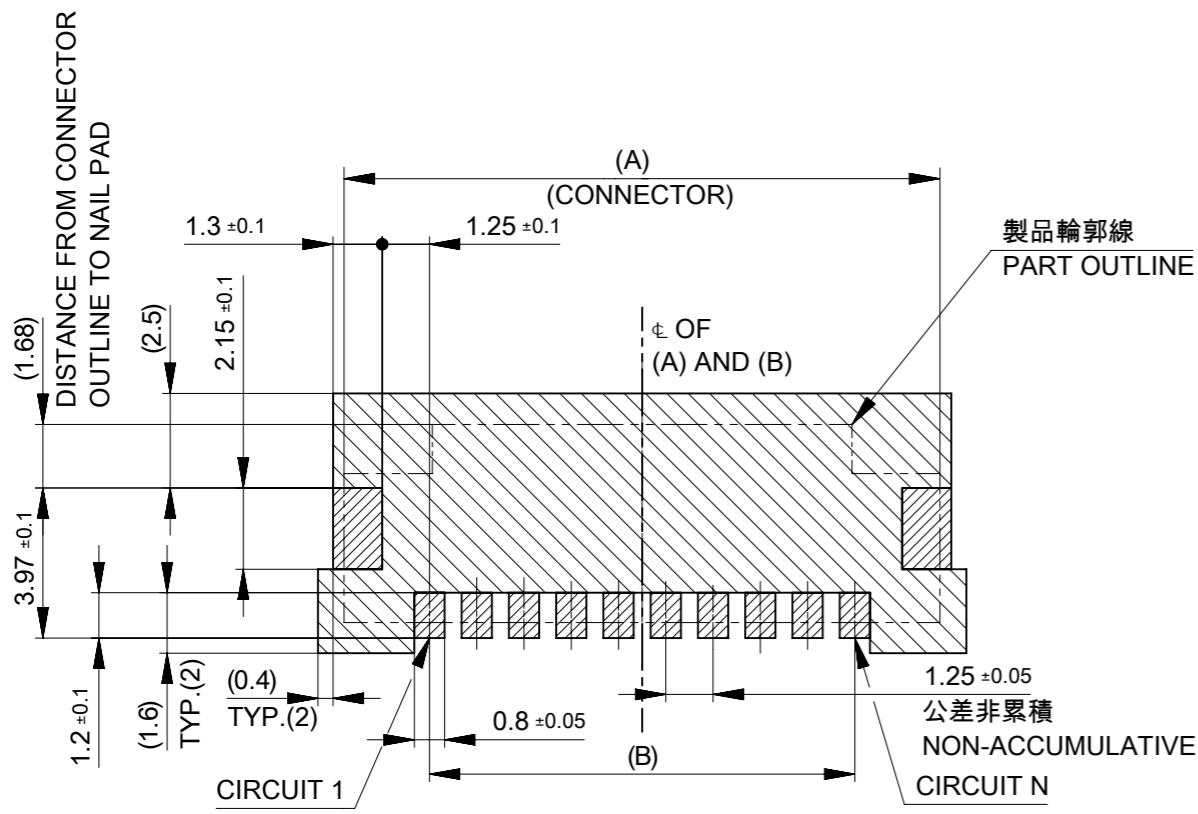
TABLE 1

番号 NO.	部品 PART	材質 MATERIAL
①	ハウジング HOUSING	ポリアミド(PA)、ガラス充填、UL94 V-0、色 : SHEET 5 参照 POLYAMIDE (PA), GLASS FILLED, UL94 V-0, COLOR: SEE SHEET 5
②	ターミナル TERMINAL	黄銅 BRASS
		錫ビスマスめっき MATTE TIN-BISMUTH PLATING : 1.0 MICRO-METER MINIMUM ニッケルめっき(下地) NICKEL (UNDER-PLATING) : 1.0 MICRO-METER MINIMUM
③	ネイル NAIL	黄銅 BRASS
		錫めっき MATTE TIN PLATING : 1.0 MICRO-METER MINIMUM ニッケルめっき(下地) NICKEL (UNDER-PLATING) : 1.0 MICRO-METER MINIMUM
④	カバーテープ COVER TAPE	ポリイミド POLYIMIDE

20.2	44±0.3	45.4	49.4	12	22.62	18.75	23.25	16
					21.37	17.5	22	15
					20.12	16.25	20.75	14
14.2	32±0.3	33.4	37.4	10	18.87	15	19.5	13
					17.62	13.75	18.25	12
					16.37	12.5	17	11
11.5	24 ^{+0.3} _{-0.1}	25.4	29.4	8	15.12	11.25	15.75	10
					13.87	10	14.5	9
					12.62	8.75	13.25	8
7.5	16 ^{+0.3} _{-0.1}	17.4	21.4	5	11.37	7.5	12	7
					10.12	6.25	10.75	6
				7	8.87	5	9.5	5
					7.62	3.75	8.25	4
					6.37	2.5	7	3
					5.12	1.25	5.75	2
H	G	F	E	D	C	B	A	極数 CIRCUIT SIZE

THIS DRAWING CONTAINS INFORMATION THAT IS PROPRIETARY TO MOLEX ELECTRONIC TECHNOLOGIES, LLC AND SHOULD NOT BE USED WITHOUT WRITTEN PERMISSION

DIMENSION UNITS mm	SCALE NTS	CURRENT REV DESC: REVISED	molex			
GENERAL TOLERANCES (UNLESS SPECIFIED)		MICRO-LOCK PLUS 1.25 W/B SINGLE ROW VERTICAL SMT PLUG ASSEMBLY FOR POTTING				
ANGULAR TOL ± 3.0 °	4 PLACES ± 0.2	EC NO: 656201	PRODUCT CUSTOMER DRAWING			
3 PLACES ± 0.2	2 PLACES ± 0.2	DRWN: SOKUMURA01 2021/02/22	DOCUMENT NUMBER	DOC TYPE	DOC PART	REVISION
1 PLACE ± 0.2	0 PLACES ± 0.2	CHK'D: SAKIYAMA 2021/02/25	2059573000-SD	PSD	000	B
DRAFT WHERE APPLICABLE MUST REMAIN WITHIN DIMENSIONS		APPR: KOMURAKAMI 2021/02/25				
THIRD ANGLE PROJECTION		DRWN: TAKAIKE 2019/08/01	MATERIAL NUMBER			
DRAWING		APPR: AIDA 2019/08/20	CUSTOMER			
A3-SIZE		SERIES 205957	SHEET NUMBER			
		SEE SHEET 5	1 OF 5			

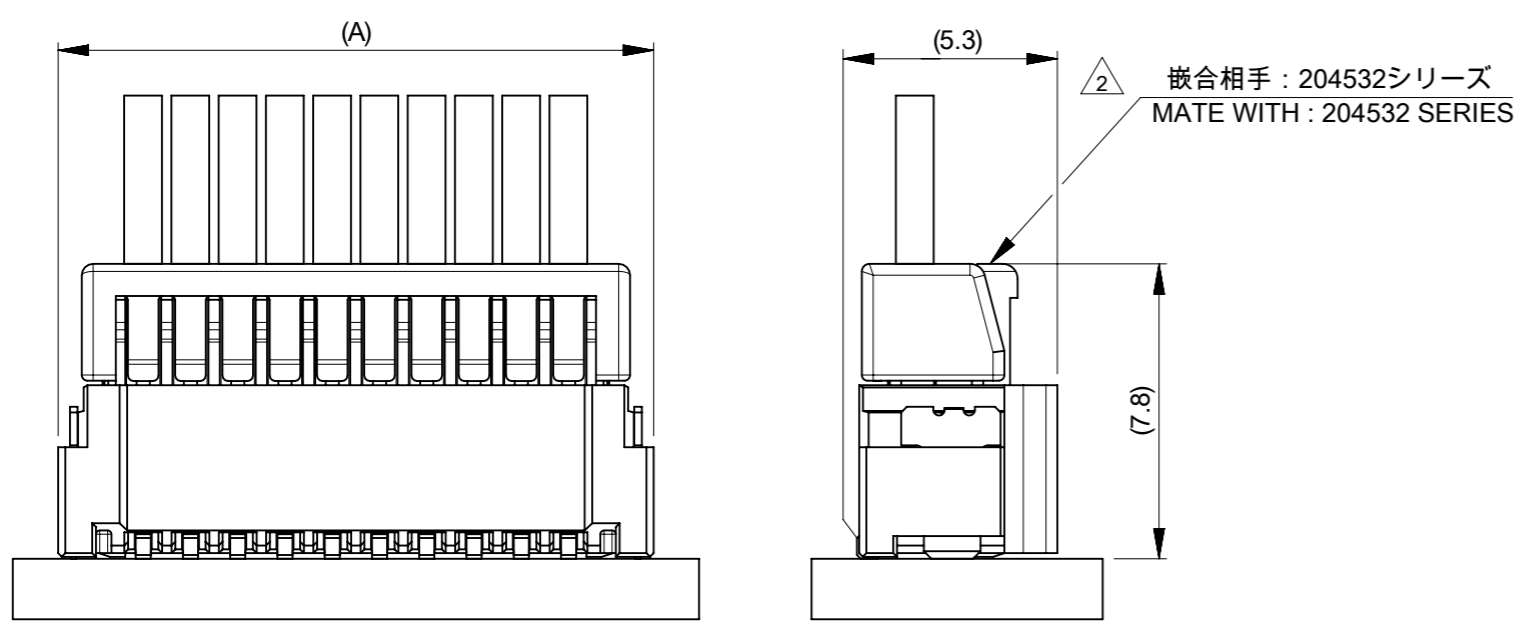
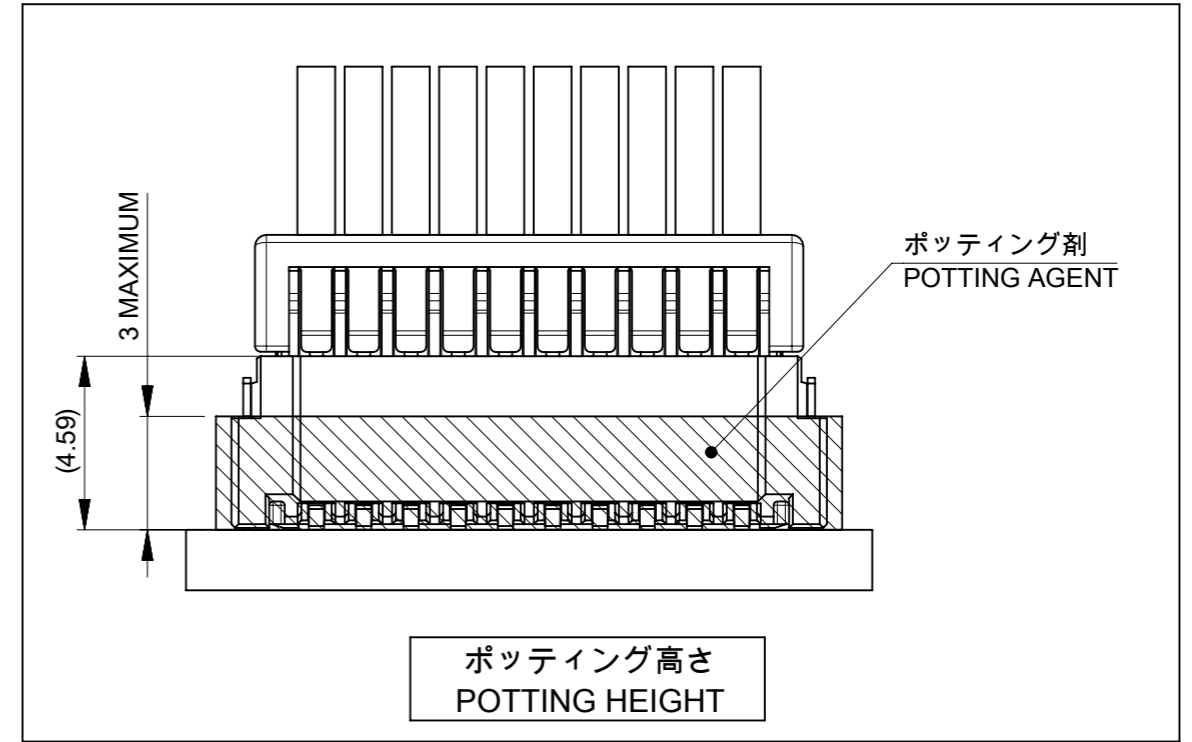
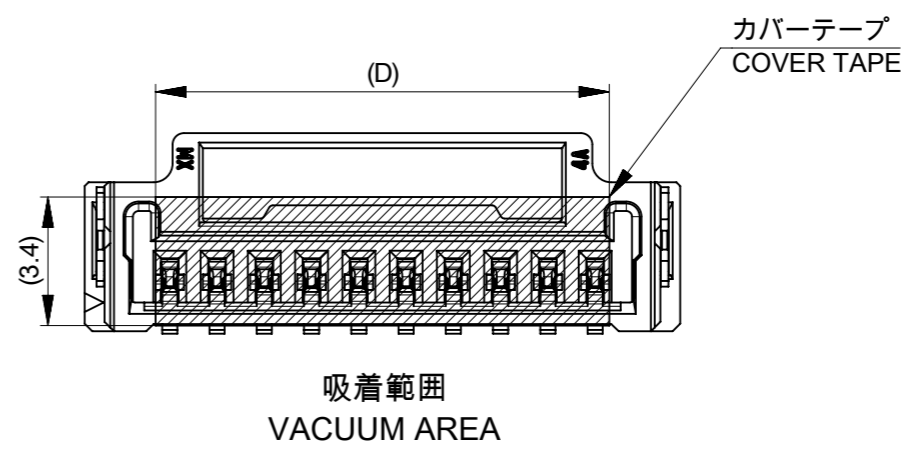


推奨基板レイアウト
RECOMMENDED PCB PATTERN LAYOUT

(参考: 基板厚 1.6mm, メタルマスク厚さ 0.15mm, マスク開口率100%)

(REFERENCE: PCB THICKNESS 1.6mm, STENCIL THICKNESS 0.15mm, APERTURE RATIO 100%)

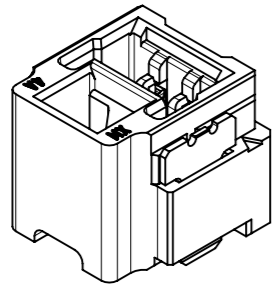
パターン禁止エリア
RESTRICTED AREA
 NO PCB COMPONENTS ALLOWED.



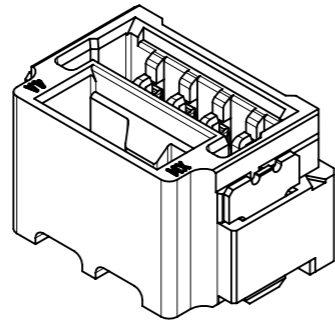
嵌合状態図
MATED CONNECTORS

THIS DRAWING CONTAINS INFORMATION THAT IS PROPRIETARY TO MOLEX ELECTRONIC TECHNOLOGIES, LLC AND SHOULD NOT BE USED WITHOUT WRITTEN PERMISSION									
DIMENSION UNITS		SCALE		CURRENT REV DESC: REVISED					
mm		NTS		molex MICRO-LOCK PLUS 1.25 W/B SINGLE ROW VERTICAL SMT PLUG ASSEMBLY FOR POTTING PRODUCT CUSTOMER DRAWING					
GENERAL TOLERANCES (UNLESS SPECIFIED)									
ANGULAR TOL ± 3.0°									
4 PLACES ± 0.2		EC NO: 656201							
3 PLACES ± 0.2		DRWN: SOKUMURA01 2021/02/22							
2 PLACES ± 0.2		CHK'D: SAKIYAMA 2021/02/25							
1 PLACE ± 0.2		APPR: KOMURAKAMI 2021/02/25		INITIAL REVISION:		DOCUMENT NUMBER		DOC TYPE DOC PART REVISION	
0 PLACES ± 0.2		DRWN: TAKAIKE 2019/08/01		2019/08/20		2059573000-SD		PSD 000 B	
DRAFT WHERE APPLICABLE MUST REMAIN WITHIN DIMENSIONS		THIRD ANGLE PROJECTION		DRAWING		SERIES		MATERIAL NUMBER CUSTOMER SHEET NUMBER	
		A3-SIZE		205957		SEE SHEET 5		GENERAL 2 OF 5	

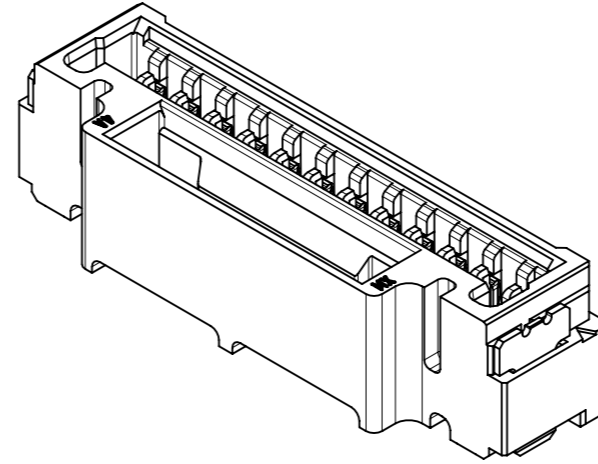
製品形状
PRODUCT SHAPE



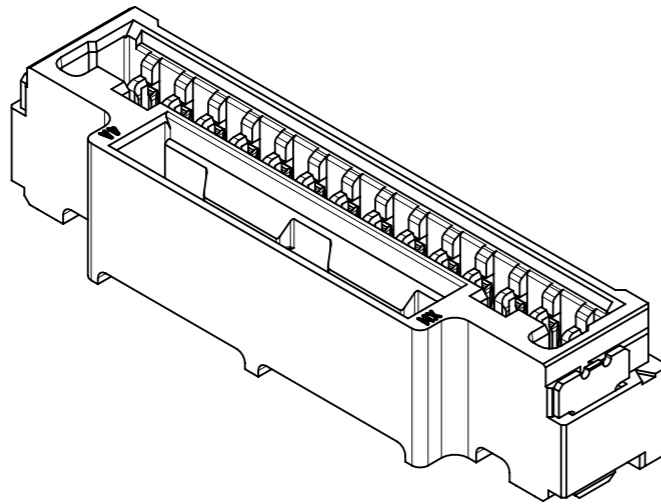
2-3極
2-3 CIRCUIT



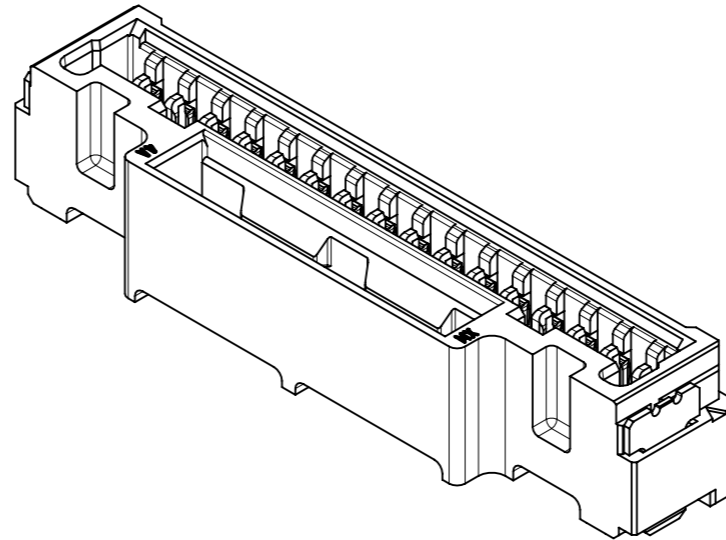
4-11極
4-11 CIRCUIT



12-13極
12-13 CIRCUIT



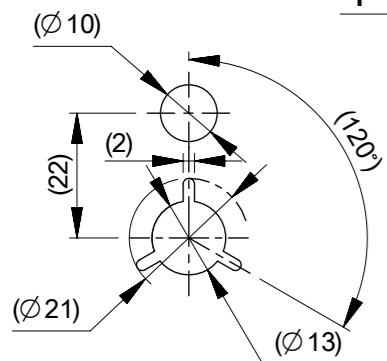
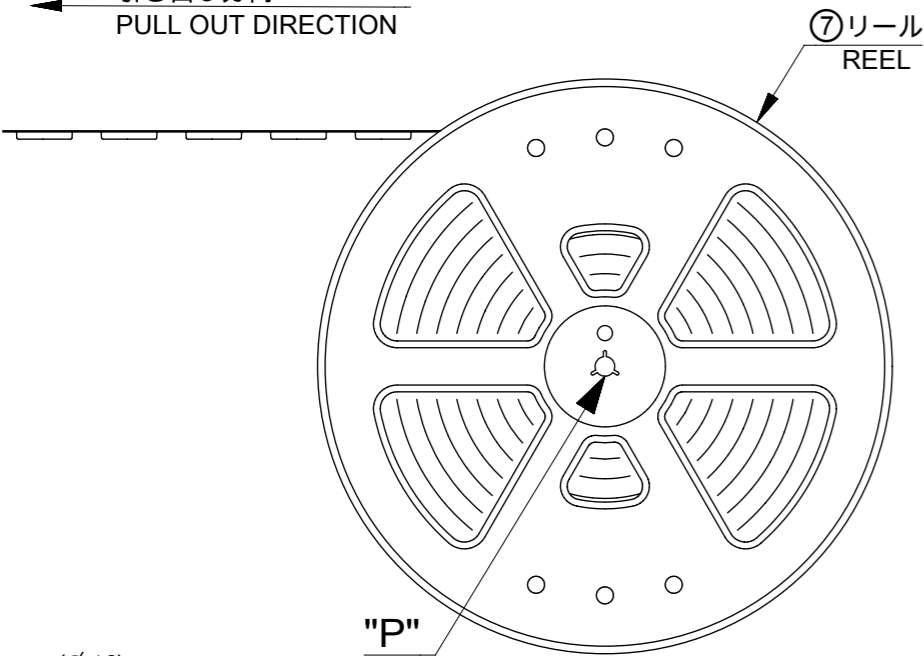
14極
14 CIRCUIT



15-16極
15-16 CIRCUIT

THIS DRAWING CONTAINS INFORMATION THAT IS PROPRIETARY TO MOLEX ELECTRONIC TECHNOLOGIES, LLC AND SHOULD NOT BE USED WITHOUT WRITTEN PERMISSION													
DIMENSION UNITS		SCALE		CURRENT REV DESC: REVISED						MICRO-LOCK PLUS 1.25 W/B SINGLE ROW VERTICAL SMT PLUG ASSEMBLY FOR POTTING			
mm		NTS											
GENERAL TOLERANCES (UNLESS SPECIFIED)													
ANGULAR TOL ± 3.0 °													
4 PLACES		± 0.2		EC NO: 656201		2021/02/22		DOCUMENT NUMBER 2059573000-SD		DOC TYPE PSD	DOC PART 000	REVISION B	
3 PLACES		± 0.2		DRWN: SOKUMURA01		2021/02/25							
2 PLACES		± 0.2		CHK'D: SAKIYAMA		2021/02/25		PRODUCT CUSTOMER DRAWING					
1 PLACE		± 0.2		APPR: KOMURAKAMI		2021/02/25							
0 PLACES		± 0.2		INITIAL REVISION:									
DRAFT WHERE APPLICABLE MUST REMAIN WITHIN DIMENSIONS		THIRD ANGLE PROJECTION		DRAWING		SERIES		MATERIAL NUMBER		CUSTOMER		SHEET NUMBER	
				A3-SIZE		205957		SEE SHEET 5		GENERAL		3 OF 5	

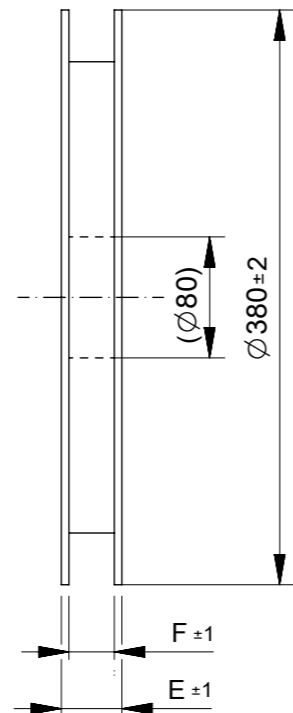
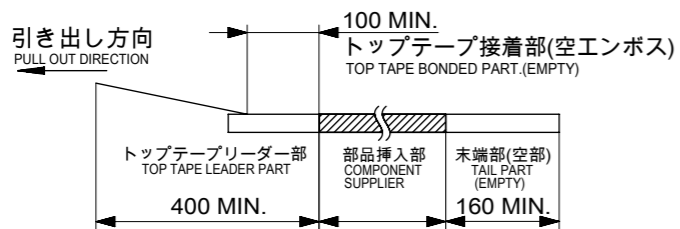
引き出し方向
PULL OUT DIRECTION



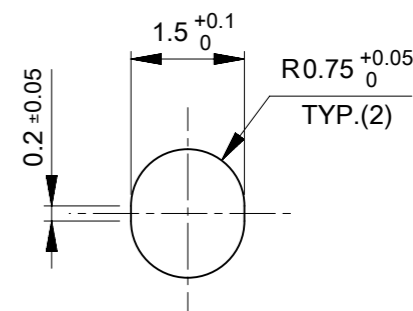
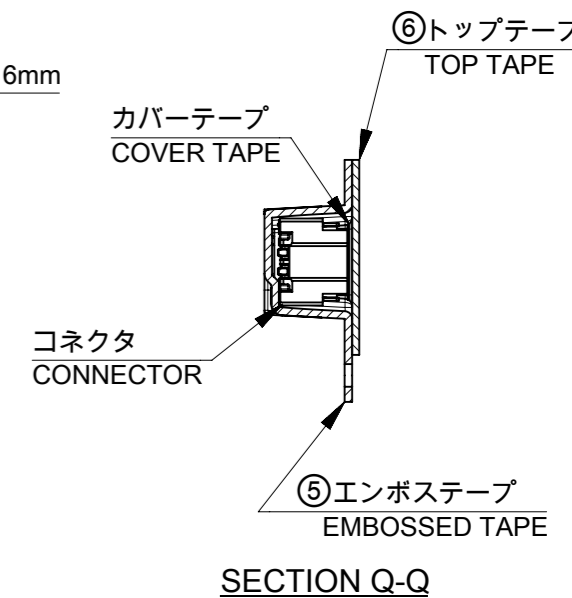
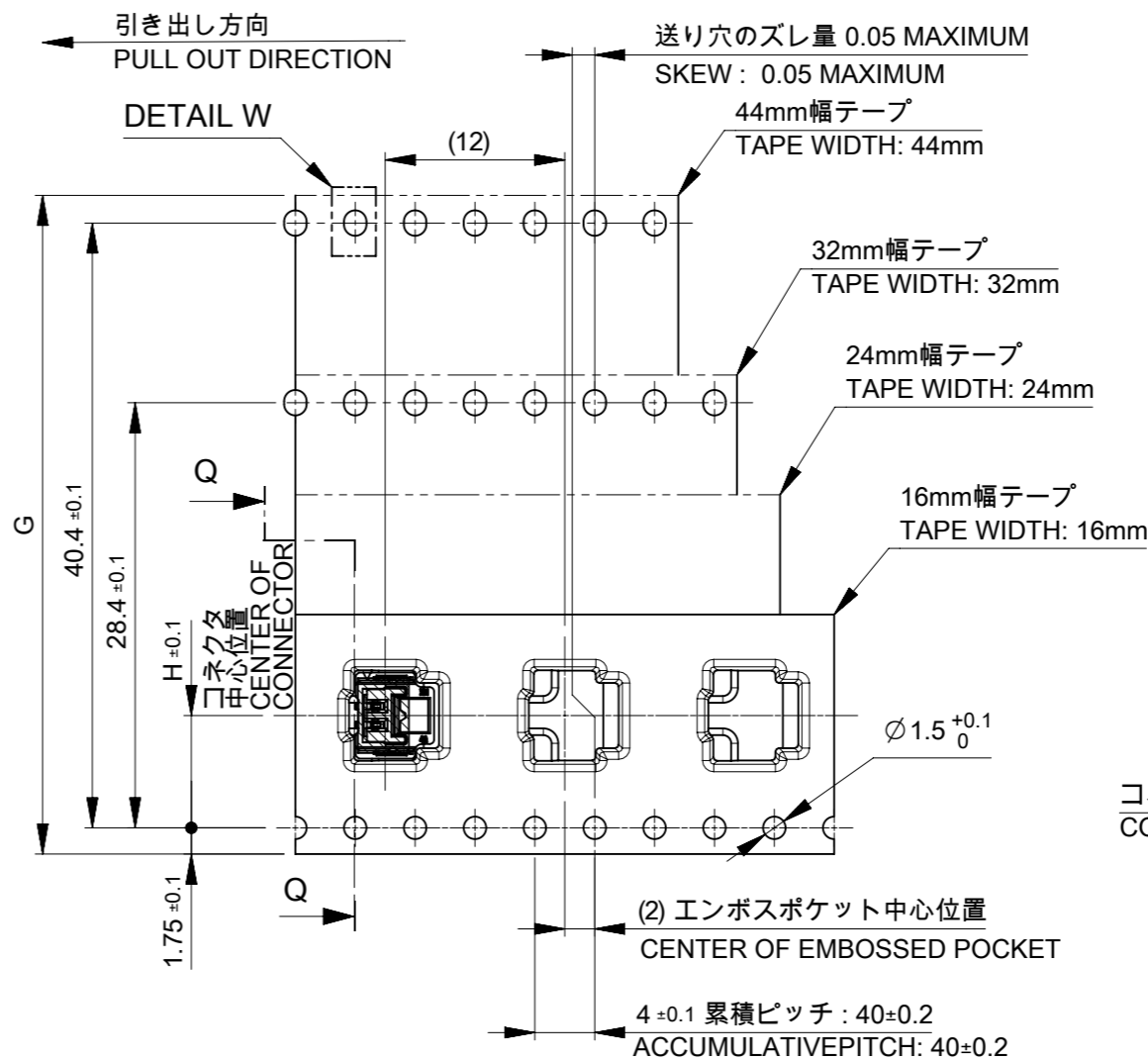
DETAIL "P"

注記 NOTE

- 6. 梱包数量 : 1000個/リール
NUMBER OF CONNECTORS : 1000 PCS/REEL
- 7. リードテープ長さ
LEAD TAPE LENGTH.



引き出し方向
PULL OUT DIRECTION



DETAIL W

- 8. トップテープの剥離強度はIEC60286-3に準拠
TOP TAPE PEELING FORCE IS DEFINED BY IEC60286-3.
- 9. 梱包仕様書 : 2059579200-SPK PS 200
PACKING INFORMATION : 2059579200-SPK PS 200
- 10. 発注番号 : SHEET 5参照
ORDER NUMBER : PLEASE REFER TO SHEET 5.

205957**7*

極数
CIRCUIT SIZE

番号 NO.	ハウジングカラー HOUSING COLOR
0	ナチュラル (白) NATURAL (WHITE)
1	黒 BLACK

TABLE 2

番号 NO.	部品 PART	材質 MATERIAL
⑤	エンボステープ EMBOSSED TAPE	ポリスチレン(PS)、その他 POLYSTYRENE(PS), etc
⑥	トップテープ TOP TAPE	ポリエチレン(PE)、その他 POLYETHYLENE(PE), etc
⑦	リール REEL	ポリスチレン(PS) <リサイクル材を含む> POLYSTYRENE(PS) < RECYCLE MATERIAL CONTAINED >

THIS DRAWING CONTAINS INFORMATION THAT IS PROPRIETARY TO MOLEX ELECTRONIC TECHNOLOGIES, LLC AND SHOULD NOT BE USED WITHOUT WRITTEN PERMISSION		CURRENT REV DESC: REVISED			
DIMENSION UNITS mm	SCALE NTS	GENERAL TOLERANCES (UNLESS SPECIFIED)			
ANGULAR TOL ± 3.0 °		EC NO: 656201		PRODUCT CUSTOMER DRAWING	
4 PLACES ± 0.2		DRWN: SOKUMURA01 2021/02/22		DOCUMENT NUMBER	
3 PLACES ± 0.2		CHK'D: SAKIYAMA 2021/02/25		DOC TYPE DOC PART REVISION	
2 PLACES ± 0.2		APPR: KOMURAKAMI 2021/02/25		2059573000-SD PSD 000 B	
1 PLACE ± 0.2		INITIAL REVISION:		MATERIAL NUMBER	
0 PLACES ± 0.2		DRWN: TAKAIKE 2019/08/01		CUSTOMER	
DRAFT WHERE APPLICABLE MUST REMAIN WITHIN DIMENSIONS		APPR: AIDA 2019/08/20		GENERAL	
THIRD ANGLE PROJECTION		DRAWING		SHEET NUMBER	
DRAWING		SERIES		4 OF 5	
A3-SIZE		205957			

△10 205957**7* 発注番号一覧 ORDER NUMBER LIST

黒 BLACK	ナチュラル (白) NATURAL (WHITE)	ハウジングカラー HOUSING COLOR
2059571671	2059571670	16
2059571571	2059571570	15
2059571471	2059571470	14
2059571371	2059571370	13
2059571271	2059571270	12
2059571171	2059571170	11
2059571071	2059571070	10
2059570971	2059570970	9
2059570871	2059570870	8
2059570771	2059570770	7
2059570671	2059570670	6
2059570571	2059570570	5
2059570471	2059570470	4
2059570371	2059570370	3
2059570271	2059570270	2
発注番号 ORDER NUMBER ----- 梱包形態：エンボステープ、リール PACKAGING STYLE : EMBOSSED TAPE AND REEL		極数 CIRCUIT SIZE

THIS DRAWING CONTAINS INFORMATION THAT IS PROPRIETARY TO MOLEX ELECTRONIC TECHNOLOGIES, LLC AND SHOULD NOT BE USED WITHOUT WRITTEN PERMISSION									
DIMENSION UNITS	SCALE	CURRENT REV DESC: REVISED					molex		
mm	NTS								
GENERAL TOLERANCES (UNLESS SPECIFIED)		EC NO: 656201 DRWN: SOKUMURA01 2021/02/22 CHK'D: SAKIYAMA 2021/02/25 APPR: KOMURAKAMI 2021/02/25 INITIAL REVISION: DRWN: TAKAIKE 2019/08/01 APPR: AIDA 2019/08/20					MICRO-LOCK PLUS 1.25 W/B SINGLE ROW VERTICAL SMT PLUG ASSEMBLY FOR POTTING		
ANGULAR TOL	± 3.0 °						PRODUCT CUSTOMER DRAWING		
4 PLACES	± 0.2						DOCUMENT NUMBER		
3 PLACES	± 0.2						2059573000-SD		
2 PLACES	± 0.2						DOC TYPE	DOC PART	REVISION
1 PLACE	± 0.2	PSD	000	B					
0 PLACES	± 0.2	MATERIAL NUMBER			CUSTOMER	SHEET NUMBER			
DRAFT WHERE APPLICABLE MUST REMAIN WITHIN DIMENSIONS		THIRD ANGLE PROJECTION	DRAWING	SERIES	205957	SEE CHART	GENERAL	5 OF 5	

DOCUMENT STATUS	P1	RELEASE DATE	2021/02/25	09:59:47
-----------------	----	--------------	------------	----------