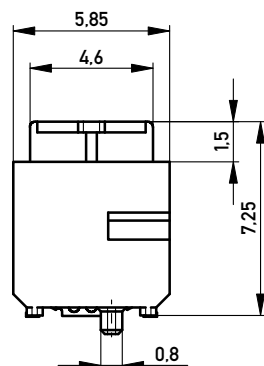
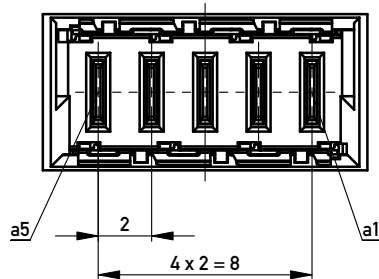
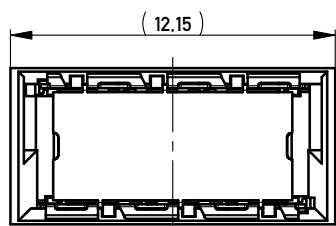
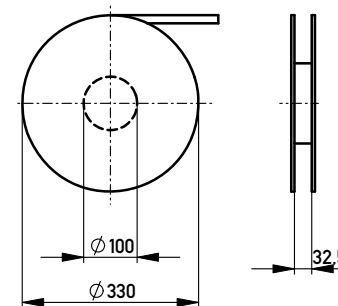


Ansaughaube
hood

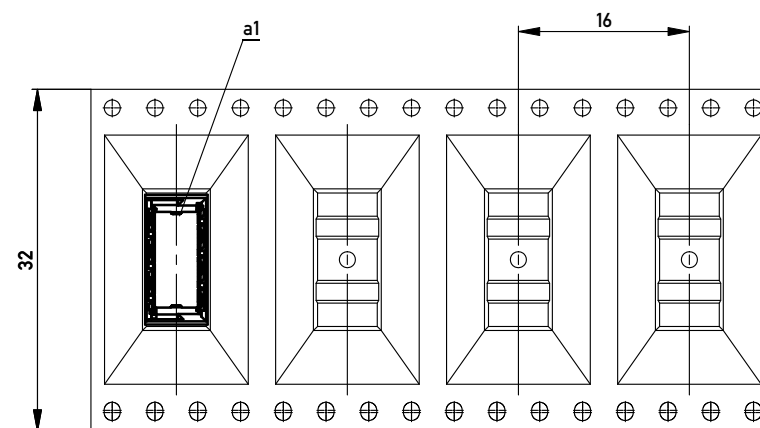


ohne Ansaughaube
without hood

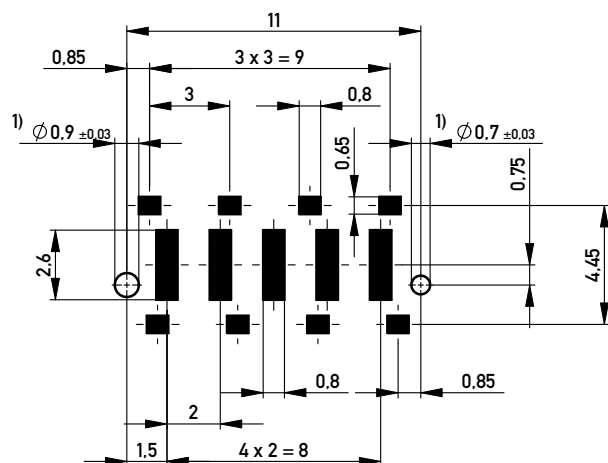
Verpackt in Gurtverpackung - Tape on Reel Packaging
Verpackungseinheit: 420 Stück - Packaging unit: 420 pcs



Abspulrichtung - Reel off Direction



Leiterplatten-Layout Vorschlag / PCB-layout proposal



Anforderungsstufe 1
Performance Level 1

Kontaktbereich vergoldet
Mating Area gold plating

Anschlussbereich verzinkt 4-6 µm
Terminal Area 4-6 µm tin plating

Koplanarität der Anschlüsse ≤ 0,1 mm
Coplanarity Area of Termination ≤ 0,1 mm

1) Durchmesser des Bohrers / Drill tool

Information:		Tolerances	All Dimensions in mm	Scale	5:1
All rights reserved. Only for Information. To ensure that this is the latest version of this drawing, please contact one of the ERNI companies before using.		Subject to modification without prior notice. Drawing will not be updated.		Designation	
		www.ERNI.com		Messerleiste SMD, Powerm. 2mm Male Con. SMD, Powerm. 2mm	
i	06.08.2010			214550	
Index	Date			I A3	
				Class	MSPEED

Copyright by ERNI GmbH. Proprietary notice pursuant to ISO 16016 to be observed.