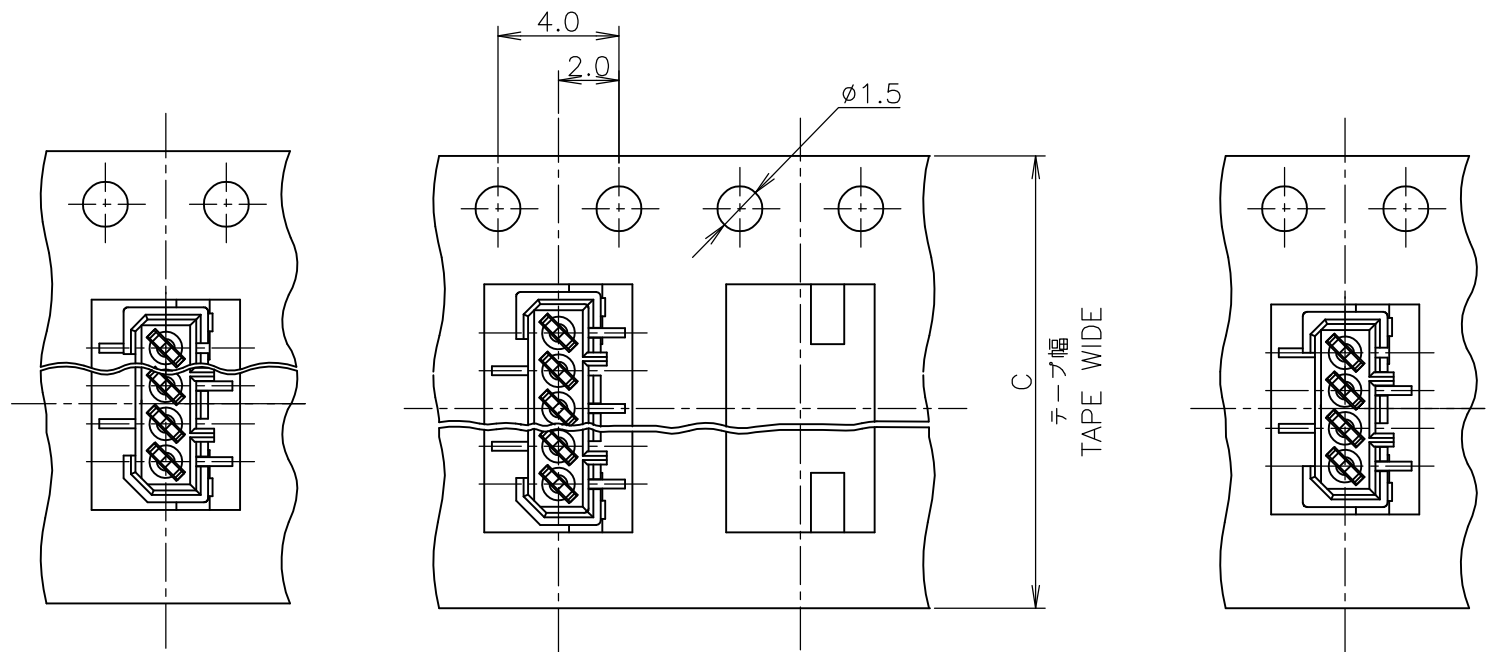
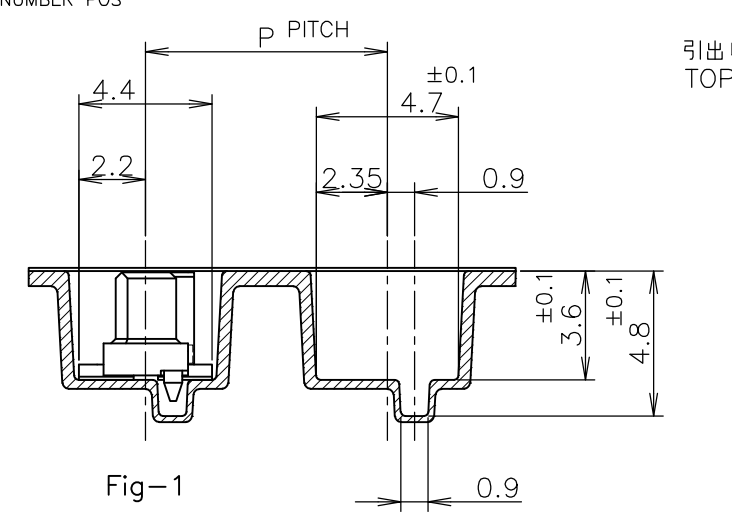


THIS DRAWING IS UNPUBLISHED. RELEASED FOR PUBLICATION MAY, 1989.  
 © COPYRIGHT 1989 By Tyco Electronics Japan G.K. ALL RIGHTS RESERVED.

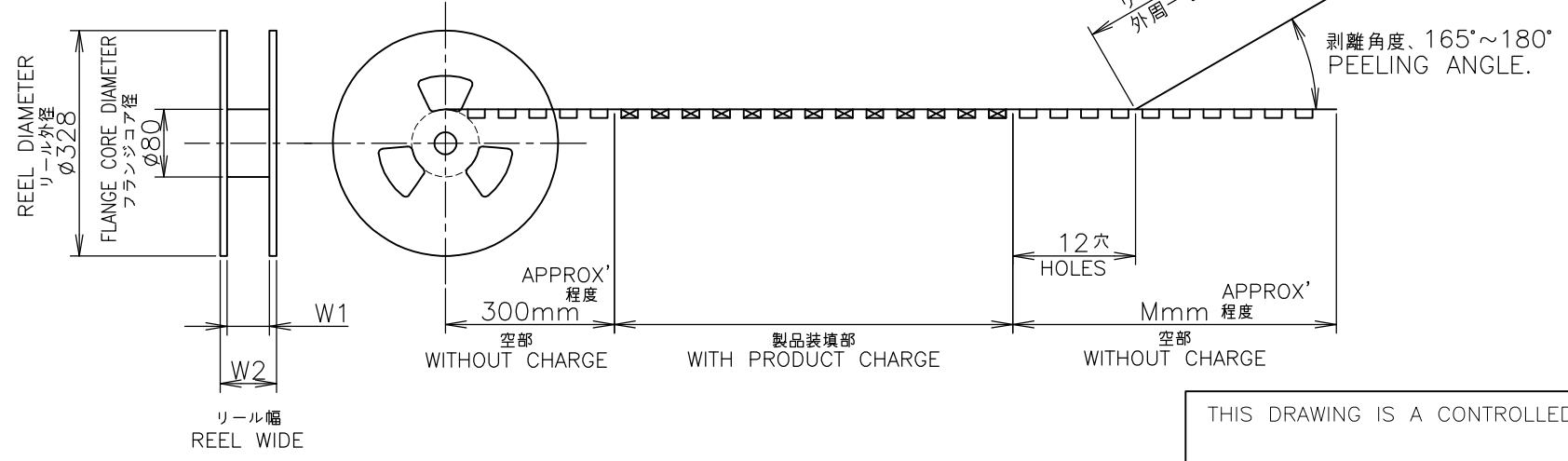
LOC	DIST	REVISIONS					
		P	LTR	DESCRIPTION	DATE	DWN	APVD
J	/	B		REVISED PER ECR-12-017462	11APR13	I.T	S.Y



1 包装規格NO.: 107-5123-1  
 1 PACKAGING SPEC: 107-5123-1



WEEDING THE COVER TAPE AROUND THE OUTER PERIPHERY IN A TURN.



	29	26	600	12	24	1000	10	1-912050-2	4-174637-0	4-175636-0
	29	26	600	12	24	1000	8	1-720999-8	3-174637-8	3-175636-8
OBSOLETE	21	18	300	8	16	1500	7	1-720999-7	3-174637-7	3-175636-7
OBSOLETE	21	18	300	8	16	1500	6	1-720999-6	3-174637-6	3-175636-6
	21	18	300	8	16	1500	5	1-720999-5	3-174637-5	3-175636-5
	17	14	300	8	12	1500	4	1-720999-4	3-174637-4	3-175636-4
	W2	W1	M	P	C	数量 (ヶ) QTY/REEL	極数 POS.	エンボステープ 型番 EMBOSS TAPE P/N	コネクタ型番 (パタ状) CONNECTOR P/N (L/P)	リール巻 コネクタ型番 TAPING P/N

THIS DRAWING IS A CONTROLLED DOCUMENT.

DWN: S.KANEKI 19MAY1989  
 CHK: J.TANIGAWA 19MAY1989  
 APVD: N.ONOUE 19MAY1989

NAME: ON TAPING EMBOSS 1.25 F-P CONNECTOR B-TO-B, SINGLE ROW REC HDR ASSY V SMT TYPE WITH BOSS

PRODUCT SPEC: 製品規格  
 APPLICATION SPEC: 取付適用規格

SIZE: A3 CAGE CODE: 00779 DRAWING NO: C-175636 RESTRICTED TO: [ ]

SCALE: 4:1 SHEET: 1 OF 1 REV: C

CUSTOMER DRAWING

GENERAL TOLERANCE 一般公差

10 ≥	±0.2
30 ≥ > 10:	±0.25
100 ≥ > 30:	±0.3
ANGLES:	±3°

DIMENSIONS: 単位: 耗 mm

TOLERANCES UNLESS OTHERWISE SPECIFIED: 一般公差

0 PLC	±-
1 PLC	±-
2 PLC	±-
3 PLC	±-
4 PLC	±-
ANGLES	±-

MATERIAL 材料

FINISH 仕上