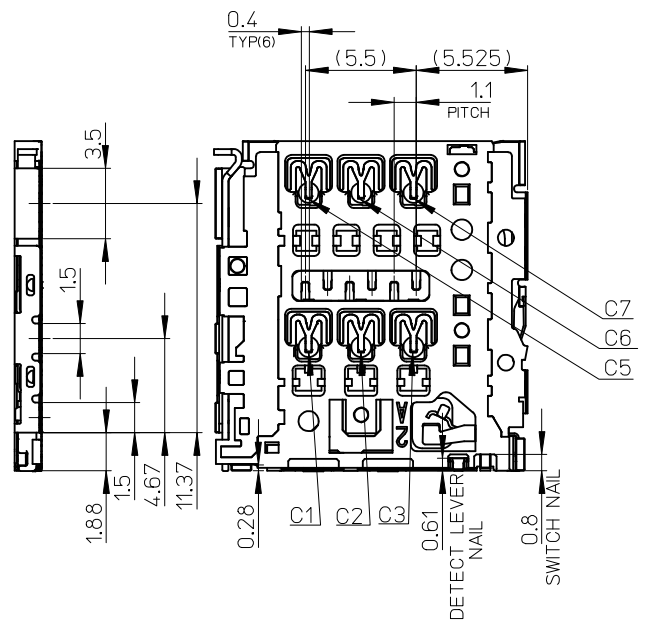
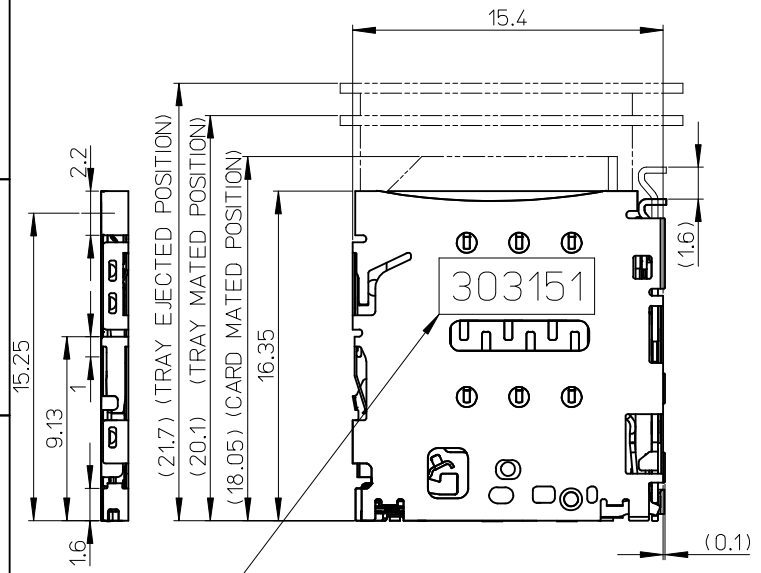
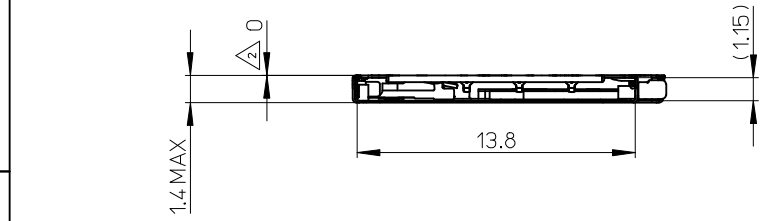


CONFIDENTIAL

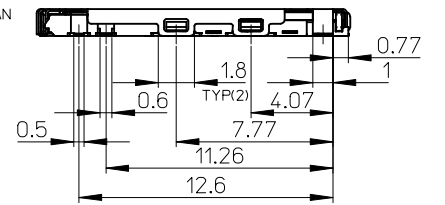
No.	NAME	MATERIAL
①	HOUSING	LIQUID CRYSTAL POLYMER UL94V-0, BLACK
②	TERMINAL	COPPER ALLOY
③	SHELL	STAINLESS STEEL
④	EJECT LEVER	STAINLESS STEEL
⑤	EJECT BAR	STAINLESS STEEL
⑥	DETECT LEVER	COPPER ALLOY
⑦	DETECT SWITCH	COPPER ALLOY
⑧	HOOK	STAINLESS STEEL

PIN ASSIGNMENT
 C1: Vcc
 C2: RST
 C3: CLK
 C5: GND
 C6: Vpp
 C7: I/O



- NOTES :
1. TERMINAL AND NAIL COPLANARITY TO BE 0.08 MAXIMUM. (FROM GAUGE PLANE)
 2. STAND OFF DIMENSION (STAND OFF DIMENSION IS INCLUDED IN THE CONNECTOR TOTAL HEIGHT)
 3. DETECT SWITCH FUNCTION
- | | |
|-----------------------|-------|
| NO TRAY | OPEN |
| TRAY EJECTED POSITION | OPEN |
| TRAY MATED POSITION | CLOSE |
4. PATTERN KEEP OUT AREA DIMENSION
 5. (DIMENSION) : REFERENCE VALUE (IT IS A NOT A MANAGEMENT DIMENSION)
 6. ELV & RoHS COMPLIANT.
 7. GND RECOMMENDED PATTERN.
 8. PLEASE MAKE TRAY BY USING A METALLIC MATERIAL NOT DEFORMED DASILY.

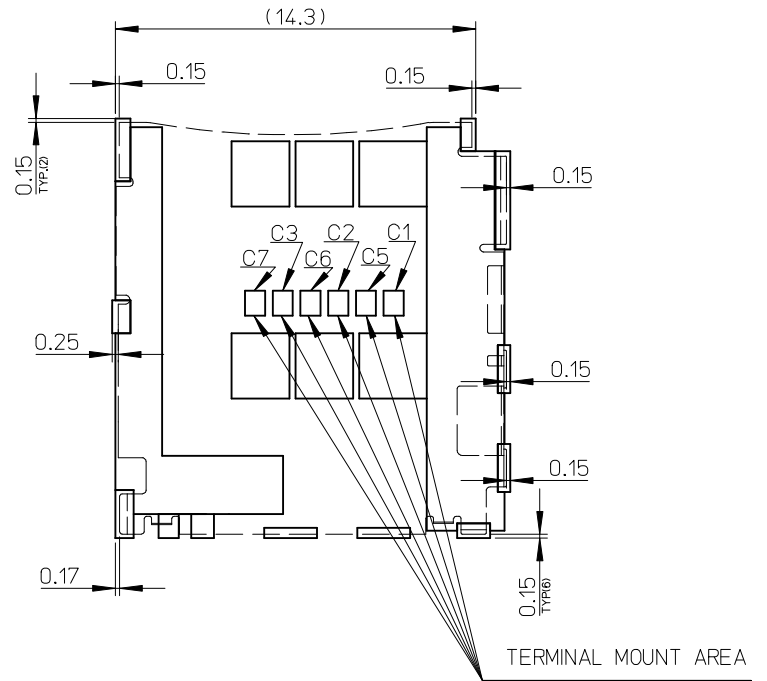
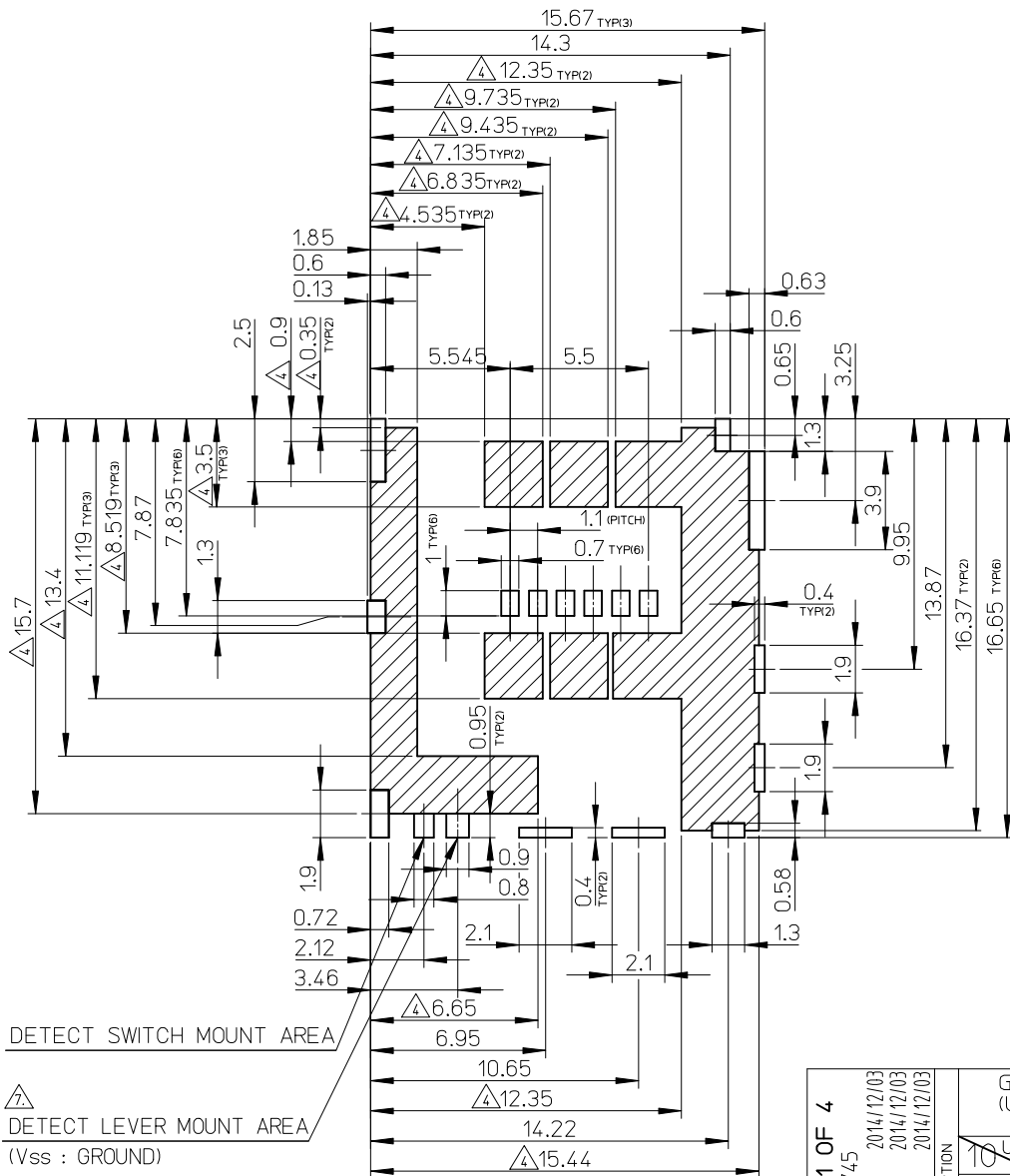
Lot No. 3 03 15 1
 THE YEAR OF GRACE
 2 : 2012年 MONTH DAY
 3 : 2013年 03 : 3月 15 : 15日
 LINE No.
 0 : JAPAN
 1-9 : DALIAN



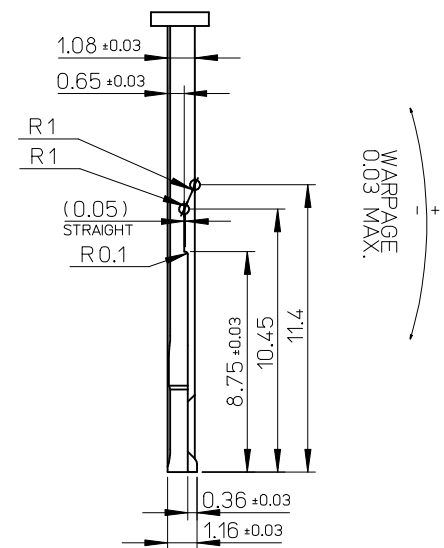
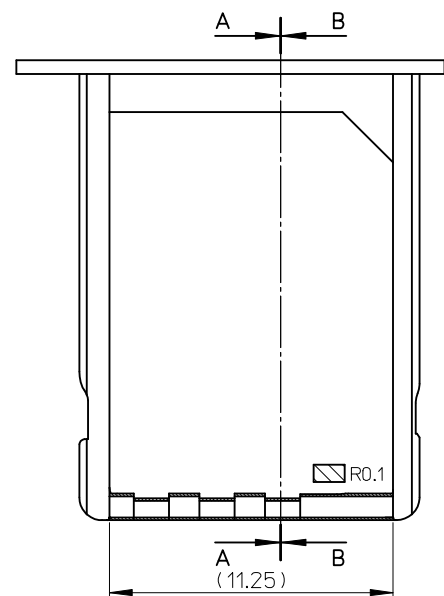
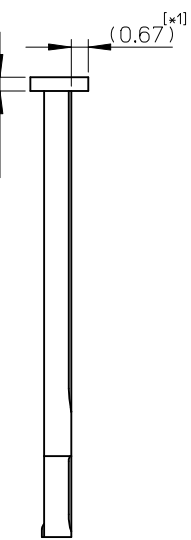
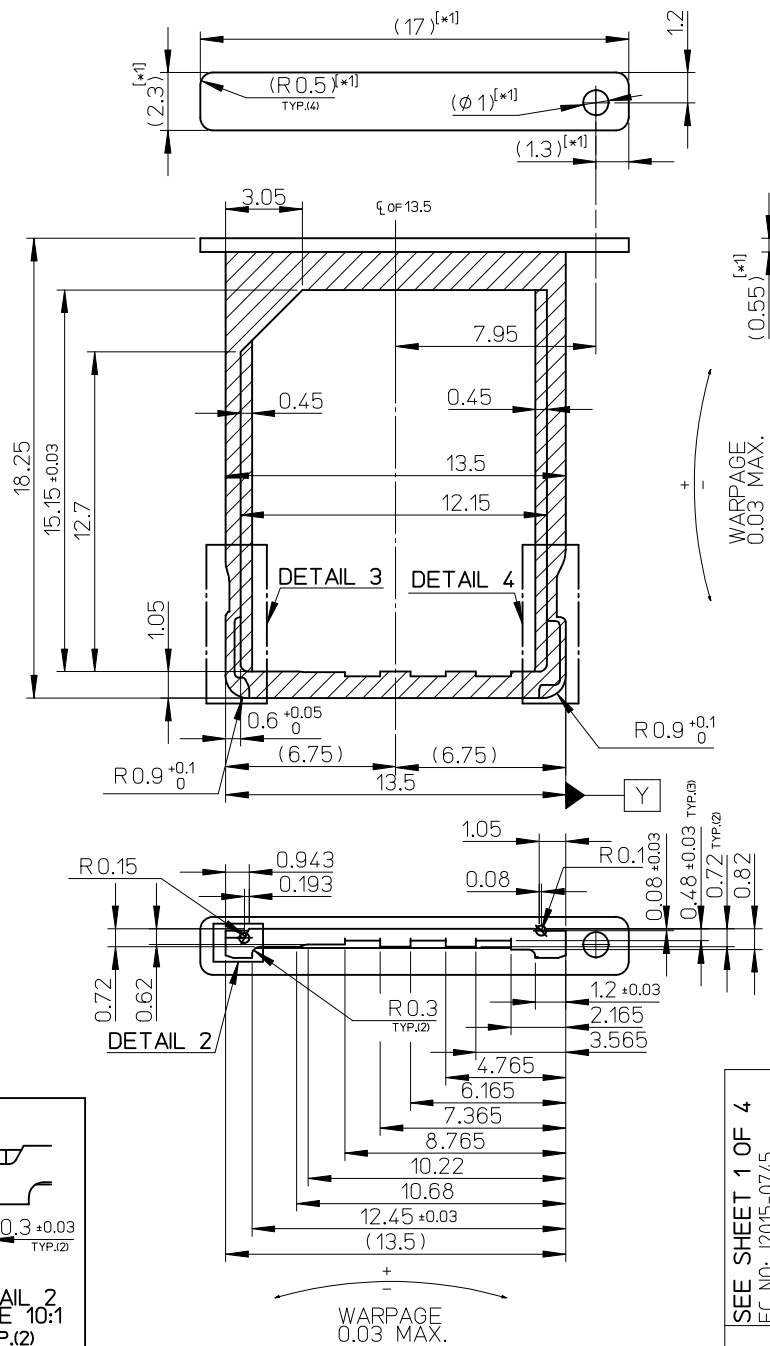
504536-0691	6
EMBOSSED PACKAGE	極数
オーダー番号 ORDER NO.	CIRCUITS
CONNECTOR SERIES No. 504536-****	

REVISED EC NO: J2015-0745 2014/12/03 DRWN: MISOGAYA 2014/12/03 CHKD: SAKIYAMA 2014/12/03 APPR: NUKITA	DESCRIPTION GENERAL TOLERANCES (UNLESS SPECIFIED)	10 UNDER ±0.2	DIMENSION STYLE MM ONLY	SCALE 4:1	DESIGN UNITS METRIC	THIRD ANGLE PROJECTION
		10 OVER 30 UNDER ±0.25	DRAWN BY YNAITO	DATE 2013/07/06	TITLE MICRO SIM CONN. BAR-PUSH TYPE WITH TRAY ASSY	
		30 OVER ±0.3	CHECKED BY SAKIYAMA	DATE 2013/07/06	molex	
		ANGULAR ±1 °	APPROVED BY NUKITA	DATE 2013/07/29		
DRAFT WHERE APPLICABLE MUST REMAIN WITHIN DIMENSIONS	MATERIAL NO. SEE CHART	MATERIAL NO.	DOCUMENT NO. SD-504536-001	SHEET NO. 1 OF 4		

THIS DRAWING CONTAINS INFORMATION THAT IS PROPRIETARY TO MOLEX INCORPORATED AND SHOULD NOT BE USED WITHOUT WRITTEN PERMISSION



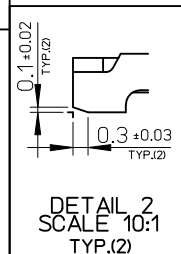
SEE SHEET 1 OF 4 EC NO: J2015-0745 DR: NMI SOGAYA 2014/12/03 CHKD: SAKIYAMA 2014/12/03 APPR: NUKITA 2014/12/03	GENERAL TOLERANCES (UNLESS SPECIFIED)		DIMENSION STYLE MM ONLY		SCALE 5:1	DESIGN UNITS METRIC	THIRD ANGLE PROJECTION	
	10 UNDER ±0.2	10 OVER 30 UNDER ±0.25	30 OVER ±0.3	DRAWN BY YNAITO	DATE 2013/07/06	TITLE MICRO SIM CONN. BAR-PUSH TYPE WITH TRAY ASSY		
	ANGULAR ±1°			CHECKED BY SAKIYAMA	DATE 2013/07/06	molex		
	DRAFT WHERE APPLICABLE MUST REMAIN WITHIN DIMENSIONS			APPROVED BY NUKITA	DATE 2013/07/29			
THIS DRAWING CONTAINS INFORMATION THAT IS PROPRIETARY TO MOLEX INCORPORATED AND SHOULD NOT BE USED WITHOUT WRITTEN PERMISSION								



INSULATION PLATING AREA MAX. 0.02mm
 APPLY TO THE POINT OF CONTACT WITH CARD.
 (THE SIDE SURFACE THAT COMES IN CONTACT WITH CARD IS CONTAINED, TOO)

APPLICABLE MIM TRAY
 (REFERENCE ONLY)
 TOLERANCE : ±0.05
 COPRANALITY 0.05MAX
 SURFACE ROUGHNESS : Ra=1µm MAX.

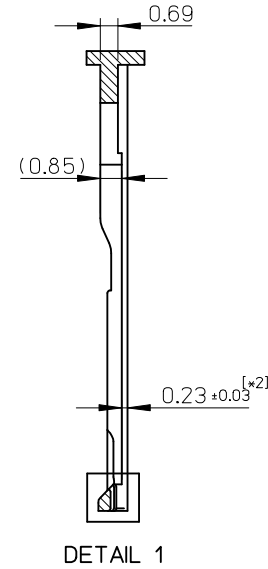
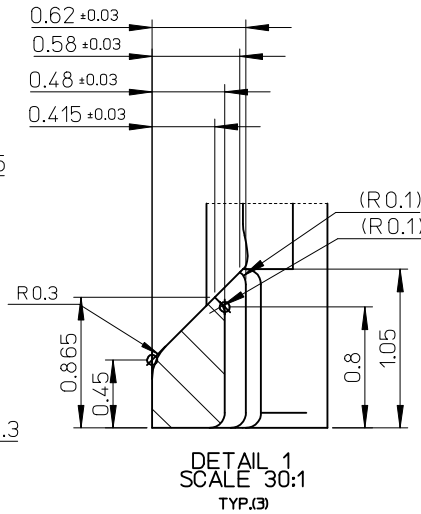
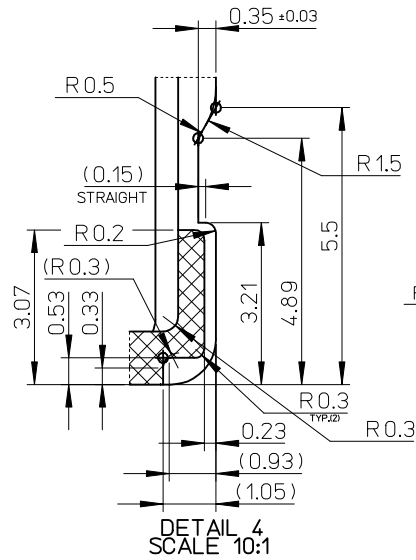
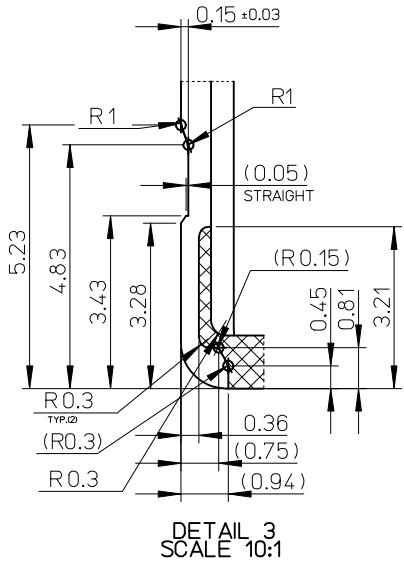
[*1]CUSTOMER CAN DECIDE THIS DIMENSION.
 [*2]INSULATION PLATING IS CONTAINED



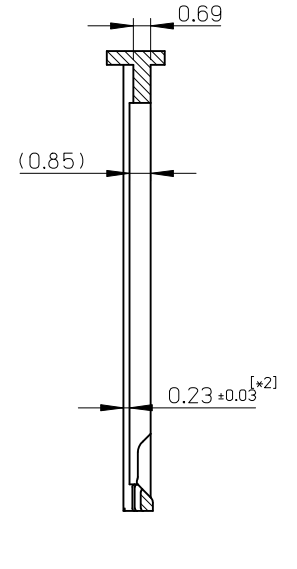
DETAIL 2
 SCALE 10:1
 TYP.(Z)

SEE SHEET 1 OF 4 EC NO: J2015-0745 DRWN: MISOGAYA 2014/12/03 CHKD: SAKIYAMA 2014/12/03 APPR: NUKITA 2014/12/03	GENERAL TOLERANCES (UNLESS SPECIFIED)		DIMENSION STYLE MM ONLY		SCALE 5:1	DESIGN UNITS METRIC	THIRD ANGLE PROJECTION	
	10 UNDER ±0.2	10 OVER 30 UNDER ±0.25	DRAWN BY YNAITO	DATE 2013/07/06	TITLE MICRO SIM CONN. BAR-PUSH TYPE WITH TRAY ASSY			
	30 OVER ±0.3	ANGULAR ±1°	CHECKED BY SAKIYAMA	DATE 2013/07/06	APPROVED BY NUKITA 2013/07/29			
	DRAFT WHERE APPLICABLE MUST REMAIN WITHIN DIMENSIONS		MATERIAL NO. SEE SHEET 1 OF 4	DOCUMENT NO. SD-504536-001	SHEET NO. 3 OF 4			

THIS DRAWING CONTAINS INFORMATION THAT IS PROPRIETARY TO MOLEX INCORPORATED AND SHOULD NOT BE USED WITHOUT WRITTEN PERMISSION



SECTION A-A



SECTION B-B

CHAMFER AREA

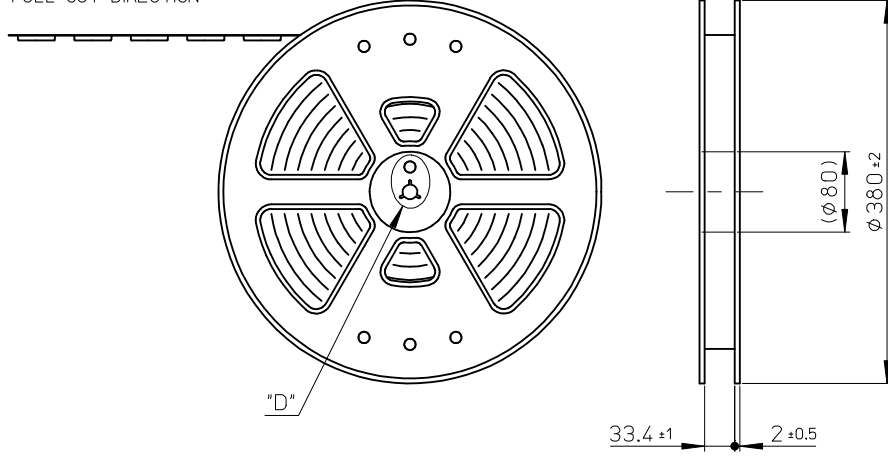
Molex shall not be responsible for any infringement to the extent such infringement is the result of (a) use of the Product(s) in combination with any other products not provided by Molex if the infringement would not have occurred but for such combination, (b) any alteration of modification of the Product(s) not undertaken or authorized by Molex if the infringement would not have occurred but for such alteration or modification, (c) Molex's compliance with Buyer's specifications if the infringement would not have occurred but for such compliance, or (d) Buyer's failure to comply with Molex's instructions regarded as necessary to render the Product(s) non-infringing if the infringement would not have occurred if Buyer would have complied with Molex's instructions.

SEE SHEET 1 OF 4 EC NO: J2015-0745 DRWN: MISO GAYA 2014/12/03 CHKD: SAKIYAMA 2014/12/03 APPR: NUKITA 2014/12/03	GENERAL TOLERANCES (UNLESS SPECIFIED)		DIMENSION STYLE MM ONLY	SCALE 5:1	DESIGN UNITS METRIC	THIRD ANGLE PROJECTION	
	10 UNDER ±0.2 10 OVER 30 UNDER ±0.25 30 OVER ±0.3	ANGULAR ±1°	DRAFT WHERE APPLICABLE MUST REMAIN WITHIN DIMENSIONS	DRAWN BY YNAITO	DATE 2013/07/06	TITLE MICRO SIM CONN. BAR-PUSH TYPE WITH TRAY ASSY	
				CHECKED BY SAKIYAMA	DATE 2013/07/06		
				APPROVED BY NUKITA	DATE 2013/07/29		
			MATERIAL NO. SEE SHEET 1 OF 4	DOCUMENT NO. SD-504536-001		SHEET NO. 4 OF 4	
THIS DRAWING CONTAINS INFORMATION THAT IS PROPRIETARY TO MOLEX INCORPORATED AND SHOULD NOT BE USED WITHOUT WRITTEN PERMISSION							

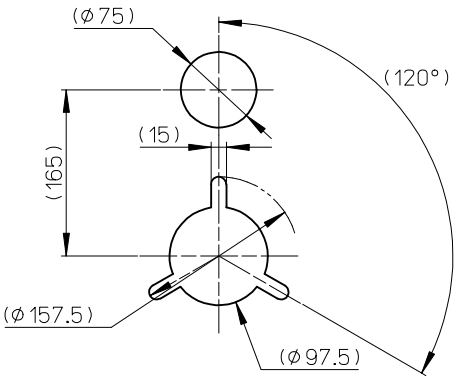
NOTES

- 製品詳細寸法については、SD 図面を参照下さい。
RE DETAILED DIMENSION, SEE SALES DRAWING.
- 梱包数量：1400 個/リール
NUMBER OF CONNECTORS：1400 PCS/REEL.
- リードテープ長さ LEAD TAPE LENGTH.

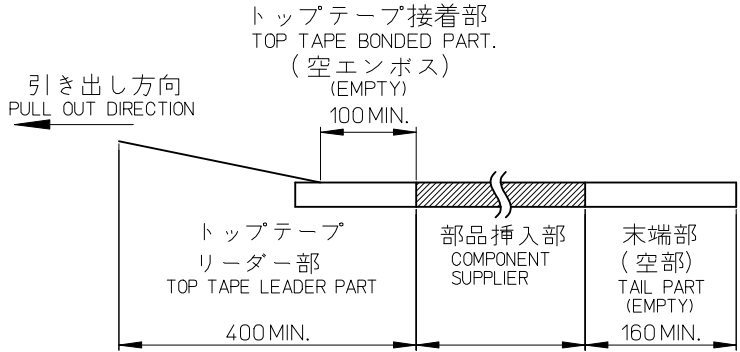
引き出し方向
PULL OUT DIRECTION



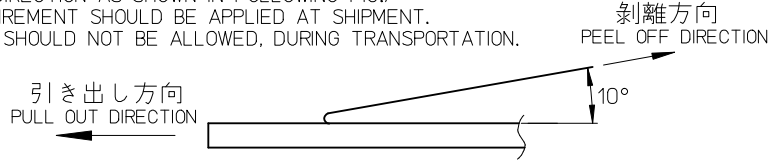
"D"



DETAIL "D"



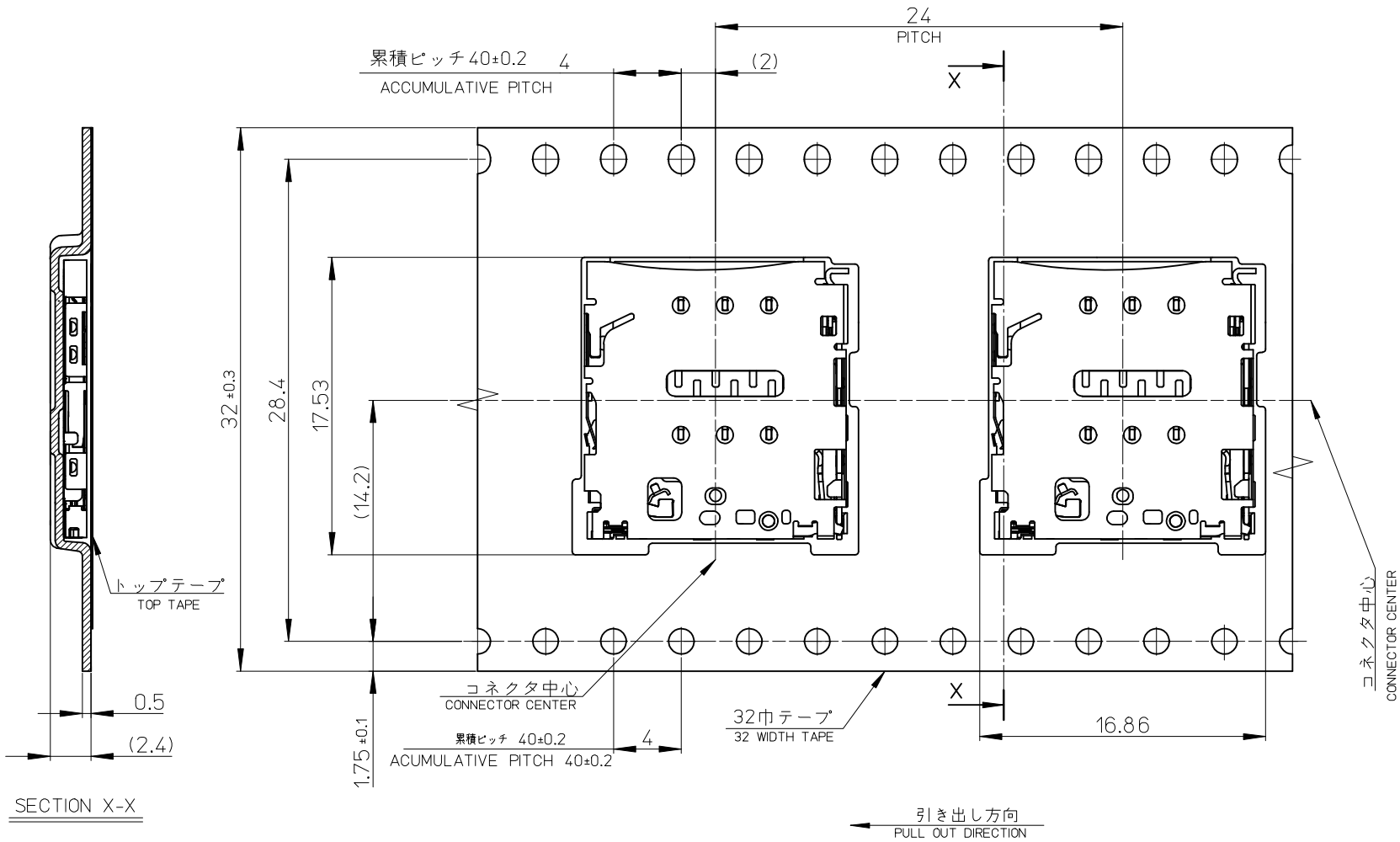
- トップテープの剥離強度：JIS C0806-3に準拠(剥離方向は下図参照)尚、本規格値は出荷時に適用。(但し、輸送時に剥離が発生しないこと。)
PEELING OFF FORCE OF TOP TAPE：BASED UPON JIS C0806-3 (PEELING DIRECTION AS SHOWN IN FOLLOWING FIG.) THIS REQUIREMENT SHOULD BE APPLIED AT SHIPMENT. PEEL OFF SHOULD NOT BE ALLOWED, DURING TRANSPORTATION.



- 材料 MATERIAL
キャリアテープ (CARRIER TAPE)：ポリスチレン (POLYSTYRENE)
トップテープ (TOP TAPE)：PET, PE, PEF
リール (REEL)：ポリスチレン (PS) <リサイクル材含む>
POLYSTYRENE (PS) <RECYCLE MATERIAL CONTAINED>

504536-0691	6
EMBOSSED PACKAGE	極数
オーダー番号 ORDER NO.	CIRCUITS
CONNECTOR SERIES No. 504536-****	

RELEASED EC NO: J2014-0785 DRWN: YNAITO 2013/11/07 CHKD: TKUSUHARA01 2013/11/07 APPR: NUKITA 2013/11/14 REV: 0	GENERAL TOLERANCES (UNLESS SPECIFIED)	DIMENSION STYLE MM ONLY	SCALE 1:1	DESIGN UNITS METRIC	THIRD ANGLE PROJECTION
	10 UNDER ±0.2	DRAWN BY YNAITO	DATE 2013/11/07	TITLE MICRO SIM CONN. BAR-PUSH TYPE WITH TRAY EMBOSSED TAPE PACKAGE	
	10 OVER 30 UNDER ±0.25	CHECKED BY TKUSUHARA01	DATE 2013/11/07	molex DOCUMENT NO. SD-504536-002 SHEET NO. 1 OF 2	
	30 OVER ±0.3	APPROVED BY NUKITA	DATE 2013/11/14		
	ANGULAR ±1 °	MATERIAL NO. SEE CHART	THIS DRAWING CONTAINS INFORMATION THAT IS PROPRIETARY TO MOLEX INCORPORATED AND SHOULD NOT BE USED WITHOUT WRITTEN PERMISSION		
DRAFT WHERE APPLICABLE MUST REMAIN WITHIN DIMENSIONS	SIZE A3				



10 9 8 7 6 5 4 3 2 1

F F

E E

D D

C C

B B

A A

SEE SHEET 1 EC NO: J2014-0785 DRWN: YNAITO 2013/11/07 CHKD: TKUSUHARA01 2013/11/07 APPR: NUKITA 2013/11/14	GENERAL TOLERANCES (UNLESS SPECIFIED)		DIMENSION STYLE MM ONLY		SCALE 4:1	DESIGN UNITS METRIC	THIRD ANGLE PROJECTION
	10 UNDER	± 0.2	DRAWN BY YNAITO	DATE 2013/11/07	TITLE MICRO SIM CONN. BAR-PUSH TYPE WITH TRAY EMBOSSD TAPE PACKAGE		
	10 OVER 30 UNDER	± 0.25	CHECKED BY TKUSUHARA01	DATE 2013/11/07			
	30 OVER	± 0.3	APPROVED BY NUKITA	DATE 2013/11/14			
ANGULAR ±1 °		MATERIAL NO. SEE SHEET 1		DOCUMENT NO. SD-504536-002	SHEET NO. 2 OF 2		
DRAFT WHERE APPLICABLE MUST REMAIN WITHIN DIMENSIONS		THIS DRAWING CONTAINS INFORMATION THAT IS PROPRIETARY TO MOLEX INCORPORATED AND SHOULD NOT BE USED WITHOUT WRITTEN PERMISSION					

9 8 7 6 5 4 3 2