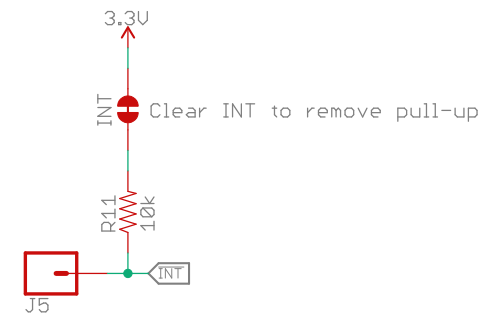
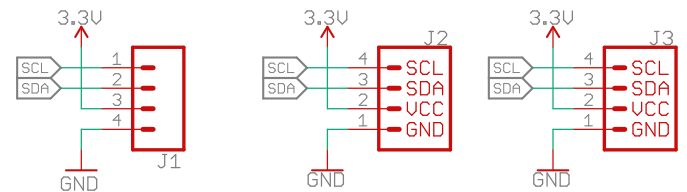


Connections



7-Bit Unshifted I2C Address
 Open Jumpers (Default): 0x6F
 Close jumpers for address 0b.0110.A3 A2 A1 A0
 Software configurable as well (all jumpers open)



open hardware

| | | |
|---|--|------------|
| Released under the Creative Commons Attribution Share-Alike 4.0 License | | |
| https://creativecommons.org/licenses/by-sa/4.0/ | | |
| TITLE: Qwic_Button | | |
| Design by: | | REV: v10 |
| Date: 1/6/2020 12:53 PM | | Sheet: 1/1 |