

NO: PX-093
DATE: April 2021

PRODUCT: E2E
TYPE: Discontinuation Notice

Discontinuation Notice the part of Standard Proximity Sensor E2E DC3w series, Long-barrel Inductive proximity sensor E2E2 DC 3w series, Long-distance Proximity sensor E2EM DC 3w series.

Product Discontinuation

Standard Proximity Sensor

Model E2E DC 3w series

Long-barrel Inductive Proximity Sensor

Model E2E2 DC 3w series

Long-distance Proximity Sensor

Model E2EM DC 3w series



Recommended Replacement

Standard Proximity Sensor

Model E2E-Next DC 3w series
Or No recommended replacement



[Final order entry date]

The end of March, 2022

[Date of The Last Shipping]

The end of June, 2022

[Caution on recommended replacement]

The dimensions of the milling cutter, the length of the screw attachment, and the protection of the cord drawer are slightly different.

[Difference from discontinued product]

Recommended replacement Model	Body Color	Dimensions	Wire connection	Mounting Dimensions	Characteristics	Operation ratings	Operation methods
E2E DC 3w series	*	*	*	**	*	*	-
E2E2 DC 3w series	*	*	*	**	*	*	-
E2EM DC 3w series	*	*	*	**	*	*	-

** : Compatible

* : The change is a little/Almost compatible

-- : Not compatible

- : No corresponding specification

[Product Discontinuation and recommended replacement]

Product discontinuation	Recommended replacement
E2E-X18MF1 10M OMS	No recommended replacement
E2E-X10F1 20M	No recommended replacement
E2EM-X15B1 5M	E2E-X15B1D30 5M
E2E-X5MF2-M1	E2E-X5MB212-M1
E2E-X5MF2 5M	E2E-X5MB212 5M
E2E-X5MF2 2M	E2E-X5MB212 2M
E2E-X5MF1-R 2M	E2E-X5MB1D12-R 2M
E2E-X5MF1-M1J 0.3M	E2E-X5MB1D12-M1TJ 0.3M
E2E-X5MF1-M1	E2E-X2MB28-M1
E2E-X5MF1 5M	E2E-X5MB1D12 5M
E2E-X5MF1 2M	E2E-X5MB1D12 2M
E2E-X5ME2-R 5M	E2E-X5MC212-R 5M
E2E-X5ME2-R 2M	E2E-X5MC212-R 2M
E2E-X5ME2-M1	E2E-X5MC212-M1
E2E-X5ME25 5M	No recommended replacement
E2E-X5ME25 15M	No recommended replacement
E2E-X5ME2 5M	E2E-X5MC212 5M
E2E-X5ME2 2M	E2E-X5MC212 2M
E2E-X5ME2 15M	No recommended replacement
E2E-X5ME1-R 5M	E2E-X5MC112-R 5M
E2E-X5ME1-R 2M	E2E-X5MC112-R 2M
E2E-X5ME1-M1TJ 0.3M	E2E-X5MC112-M1TJ 0.3M
E2E-X5ME1-M1	E2E-X5MC112-M1
E2E-X5ME15 5M	No recommended replacement
E2E-X5ME1-10 2M	No recommended replacement
E2E-X5ME1 5M	E2E-X5MC112 5M
E2E-X5ME1 2M	E2E-X5MC112 2M
E2E-X5F2-R 5M	E2E-X5B218-R 5M
E2E-X5F2-M1J 0.3M	E2E-X5B218-M1TJ 0.3M
E2E-X5F2-M1	E2E-X5B218-M1
E2E-X5F2 5M	E2E-X5B218 5M
E2E-X5F2 2M	E2E-X5B218 2M
E2E-X5F2 10M	No recommended replacement
E2E-X5F1-R 5M	E2E-X5B1D18-R 5M
E2E-X5F1-R 2M	E2E-X5B1D18-R 2M
E2E-X5F1-M1J 0.3M	E2E-X5B1D18-M1TJ 0.3M
E2E-X5F1-M1	E2E-X5B1D18-M1
E2E-X5F1 5M	E2E-X5B1D18 5M
E2E-X5F1 2M	E2E-X5B1D18 2M
E2E-X5E2-R 5M	E2E-X5C218-R 5M
E2E-X5E2-R 2M	E2E-X5C218-R 2M
E2E-X5E2-M1J 0.3M	E2E-X5C218-M1TJ 0.3M
E2E-X5E2-M1	E2E-X5C218-M1

Product discontinuation	Recommended replacement
E2E-X5E25-M1	No recommended replacement
E2E-X5E25 5M	No recommended replacement
E2E-X5E2 5M	E2E-X5C218 5M
E2E-X5E2 30M	No recommended replacement
E2E-X5E2 2M	E2E-X5C218 2M
E2E-X5E1-R 5M	E2E-X5C118-R 5M
E2E-X5E1-R 2M	E2E-X5C118-R 2M
E2E-X5E1-M1TJ 0.3M	E2E-X5C118-M1TJ 0.3M
E2E-X5E1-M1J 0.3M	E2E-X5C118-M1TJ 0.3M
E2E-X5E1-M1	E2E-X5C118-M1
E2E-X5E15-R 2M	No recommended replacement
E2E-X5E15-40 5M	No recommended replacement
E2E-X5E1-40 5M	No recommended replacement
E2E-X5E1-2 2M	No recommended replacement
E2E-X5E1-2 10M	No recommended replacement
E2E-X5E1-14 2M	No recommended replacement
E2E-X5E1-10 5M	No recommended replacement
E2E-X5E1 5M	E2E-X5C118 5M
E2E-X5E1 2M	E2E-X5C118 2M
E2E-X2MF2-M3	E2E-X2MB28-M3
E2E-X2MF2-M1	E2E-X2MB28-M1
E2E-X2MF2 5M OMS	E2E-X2MB28 5M
E2E-X2MF2 2M	E2E-X2MB28 2M
E2E-X2MF1-R 2M	E2E-X2MB1D8-R 2M
E2E-X2MF1-M3	E2E-X2MB1D8-M3
E2E-X2MF1-M1	E2E-X2MB1D8-M1
E2E-X2MF1 5M	E2E-X2MB1D8 5M
E2E-X2MF1 2M	E2E-X2MB1D8 2M
E2E-X2ME2-M3	E2E-X2MC28-M3
E2E-X2ME2-M1	E2E-X2MC28-M1
E2E-X2ME2 5M	E2E-X2MC28 5M
E2E-X2ME2 2M	E2E-X2MC28 2M
E2E-X2ME1-R 5M	E2E-X2MC18-R 5M
E2E-X2ME1-R 2M	E2E-X2MC18-R 2M
E2E-X2ME1-M3	E2E-X2MC18-M3
E2E-X2ME1-M1	E2E-X2MC18-M1
E2E-X2ME1 5M	E2E-X2MC18 5M
E2E-X2ME1 2M	E2E-X2MC18 2M
E2E-X2F2-R 5M	E2E-X2B212-R 5M
E2E-X2F2-M1J 0.3M	E2E-X2B212-M1TJ 0.3M
E2E-X2F2-M1	E2E-X2B212-M1
E2E-X2F2 5M	E2E-X2B212 5M
E2E-X2F2 2M	E2E-X2B212 2M
E2E-X2F1-R 5M	E2E-X2B1D12-R 5M

Product discontinuation	Recommended replacement
E2E-X2F1-R 2M	E2E-X2B1D12-R 2M
E2E-X2F1-M1J 0.3M	E2E-X2B1D12-M1TJ 0.3M
E2E-X2F1-M1	E2E-X2B1D12-M1
E2E-X2F1 5M	E2E-X2B1D12 5M
E2E-X2F1 2M	E2E-X2B1D12 2M
E2E-X2E2-R 2M	E2E-X2C212-R 2M
E2E-X2E2-M1	E2E-X2C212-M1
E2E-X2E25 5M	No recommended replacement
E2E-X2E25 2M	No recommended replacement
E2E-X2E2-1 2M	No recommended replacement
E2E-X2E2 5M	E2E-X2C212 5M
E2E-X2E2 2M	E2E-X2C212 2M
E2E-X2E1-R 5M	E2E-X2C112-R 5M
E2E-X2E1-R 2M	E2E-X2C112-R 2M
E2E-X2E1-M1J 0.3M	E2E-X2C112-M1TJ 0.3M
E2E-X2E1-M1	E2E-X2C112-M1
E2E-X2E15 5M	No recommended replacement
E2E-X2E1-1 5M	No recommended replacement
E2E-X2E1-1 2M	No recommended replacement
E2E-X2E1-1 10M	No recommended replacement
E2E-X2E1 5M	E2E-X2C112 5M
E2E-X2E1 2M	E2E-X2C112 2M
E2E-X1R5F2-R 5M	E2E-X1R5B28-R 5M
E2E-X1R5F2-M3	E2E-X1R5B28-M3
E2E-X1R5F2-M1J 0.3M	E2E-X1R5B28-M1TJ 0.3M
E2E-X1R5F2-M1	E2E-X1R5B28-M1
E2E-X1R5F2 5M	E2E-X1R5B28 5M
E2E-X1R5F2 2M	E2E-X1R5B28 2M
E2E-X1R5F1-R 5M	E2E-X1R5B1D8-R 5M
E2E-X1R5F1-R 2M	E2E-X1R5B1D8-R 2M
E2E-X1R5F1-M3	E2E-X1R5B1D8-M3
E2E-X1R5F1-M1J 0.3M	E2E-X1R5B1D8-M1TJ 0.3M
E2E-X1R5F1-M1	E2E-X1R5B1D8-M1
E2E-X1R5F1 5M	E2E-X1R5B1D8 5M
E2E-X1R5F1 2M	E2E-X1R5B1D8 2M
E2E-X1R5E2-R 5M	E2E-X1R5C28-R 5M
E2E-X1R5E2-R 2M	E2E-X1R5C28-R 2M
E2E-X1R5E2-M3	E2E-X1R5C28-M3
E2E-X1R5E2-M1	E2E-X1R5C28-M1
E2E-X1R5E2 5M	E2E-X1R5C28 5M
E2E-X1R5E2 2M	E2E-X1R5C28 2M
E2E-X1R5E1-R 5M	E2E-X1R5C18-R 5M
E2E-X1R5E1-R 2M	E2E-X1R5C18-R 2M
E2E-X1R5E1-R 15M	No recommended replacement

Product discontinuation	Recommended replacement
E2E-X1R5E1-M3	E2E-X1R5C18-M3
E2E-X1R5E1-M1J 0.3M	E2E-X1R5C18-M1TJ 0.3M
E2E-X1R5E1-M1	E2E-X1R5C18-M1
E2E-X1R5E1-40 5M	No recommended replacement
E2E-X1R5E1-40 2M	No recommended replacement
E2E-X1R5E1 5M	E2E-X1R5C18 5M
E2E-X1R5E1 40M	No recommended replacement
E2E-X1R5E1 2M	E2E-X1R5C18 2M
E2E-X18MF2-M1J 0.3M	E2E-X18MB230-M1TJ 0.3M
E2E-X18MF2-M1	E2E-X18MB230-M1
E2E-X18MF2 5M	E2E-X18MB230 5M
E2E-X18MF2 2M	E2E-X18MB230 2M
E2E-X18MF1-R 2M	E2E-X18MB1D30-R 2M
E2E-X18MF1-M1J 0.3M	E2E-X18MB1D30-M1TJ 0.3M
E2E-X18MF1-M1	E2E-X18MB1D30-M1
E2E-X18MF1 5M	E2E-X18MB1D30 5M
E2E-X18MF1 2M	E2E-X18MB1D30 2M
E2E-X18ME2-M1	E2E-X18MC230-M1
E2E-X18ME25 5M	No recommended replacement
E2E-X18ME25 15M	No recommended replacement
E2E-X18ME2 5M	E2E-X18MC230 5M
E2E-X18ME2 2M	E2E-X18MC230 2M
E2E-X18ME2 15M	No recommended replacement
E2E-X18ME2 10M	No recommended replacement
E2E-X18ME1-R 5M	E2E-X18MC130-R 5M
E2E-X18ME1-R 2M	E2E-X18MC130-R 2M
E2E-X18ME1-M1TJ 0.3M	E2E-X18MC130-M1TJ 0.3M
E2E-X18ME1-M1J 0.3M	E2E-X18MC130-M1TJ 0.3M
E2E-X18ME1-M1	E2E-X18MC130-M1
E2E-X18ME1 5M	E2E-X18MC130 5M
E2E-X18ME1 40M	No recommended replacement
E2E-X18ME1 2M	E2E-X18MC130 2M
E2E-X10MF2-M1	E2E-X10MB218-M1
E2E-X10MF2 5M	E2E-X10MB218 5M
E2E-X10MF2 2M	E2E-X10MB218 2M
E2E-X10MF1-R 2M	E2E-X10MB1D18-R 2M
E2E-X10MF1-M1J 0.3M	E2E-X10MB1D18-M1TJ 0.3M
E2E-X10MF1-M1	E2E-X10MB1D18-M1
E2E-X10MF1 5M	E2E-X10MB1D18 5M
E2E-X10MF1 2M	E2E-X10MB1D18 2M
E2E-X10ME2-M1	E2E-X10MC218-M1
E2E-X10ME25 5M	No recommended replacement
E2E-X10ME2 5M	E2E-X10MC218 5M
E2E-X10ME2 2M	E2E-X10MC218 2M

Product discontinuation	Recommended replacement
E2E-X10ME2 20M	No recommended replacement
E2E-X10ME2 15M	No recommended replacement
E2E-X10ME1-R 5M	E2E-X10MC118-R 5M
E2E-X10ME1-R 2M	E2E-X10MC118-R 2M
E2E-X10ME1-R 10M	No recommended replacement
E2E-X10ME1-N-ECON 0.6M	No recommended replacement
E2E-X10ME1-M1TJ 0.3M	E2E-X10MC118-M1TJ 0.3M
E2E-X10ME1-M1J 0.3M	E2E-X10MC118-M1TJ 0.3M
E2E-X10ME1-M1	E2E-X10MC118-M1
E2E-X10ME15-M1J 0.3M	No recommended replacement
E2E-X10ME15-40 5M	No recommended replacement
E2E-X10ME1-40 5M	No recommended replacement
E2E-X10ME1-40 2M	No recommended replacement
E2E-X10ME1 5M	E2E-X10MC118 5M
E2E-X10ME1 2M	E2E-X10MC118 2M
E2E-X10F2-M1J 0.3M	E2E-X10B230-M1TJ 0.3M
E2E-X10F2-M1	E2E-X10B230-M1
E2E-X10F2 5M	E2E-X10B230 5M
E2E-X10F2 2M	E2E-X10B230 2M
E2E-X10F1-R 5M	E2E-X10B1D30-R 5M
E2E-X10F1-R 2M	E2E-X10B1D30-R 2M
E2E-X10F1-M1J 0.3M	E2E-X10B1D30-M1TJ 0.3M
E2E-X10F1-M1	E2E-X10B1D30-M1
E2E-X10F1-2 2M	No recommended replacement
E2E-X10F1 5M	E2E-X10B1D30 5M
E2E-X10F1 2M	E2E-X10B1D30 2M
E2E-X10F1 10M	No recommended replacement
E2E-X10E2-M1	E2E-X10C230-M1
E2E-X10E25 5M	No recommended replacement
E2E-X10E25 2M	No recommended replacement
E2E-X10E2 5M	E2E-X10C230 5M
E2E-X10E2 2M	E2E-X10C230 2M
E2E-X10E2 20M	No recommended replacement
E2E-X10E1-R 5M	E2E-X10C130-R 5M
E2E-X10E1-R 2M	E2E-X10C130-R 2M
E2E-X10E1-R 20M	No recommended replacement
E2E-X10E1-M1TJ 0.3M	E2E-X10C130-M1TJ 0.3M
E2E-X10E1-M1J 1M	No recommended replacement
E2E-X10E1-M1J 0.3M	E2E-X10C130-M1TJ 0.3M
E2E-X10E1-M1	E2E-X10C130-M1
E2E-X10E1-9 2M	No recommended replacement
E2E-X10E15-40 5M	No recommended replacement
E2E-X10E1-2 2M	No recommended replacement
E2E-X10E1 5M	E2E-X10C130 5M

Product discontinuation	Recommended replacement
E2E-X10E1 45M	No recommended replacement
E2E-X10E1 30M	No recommended replacement
E2E-X10E1 2M	E2E-X10C130 2M
E2E-X10E1 25M	No recommended replacement
E2E-X10E1 15M	No recommended replacement
E2EM-X8C2-M1	E2E-X8C218-M1
E2EM-X8C2 5M	E2E-X8C218 5M
E2EM-X8C2 2M	E2E-X8C218 2M
E2EM-X8C1-M1J 0.3M	E2E-X8C118-M1TJ 0.3M
E2EM-X8C1-M1	E2E-X8C118-M1
E2EM-X8C1 5M	E2E-X8C118 5M
E2EM-X8C1 2M	E2E-X8C118 2M
E2EM-X8B2-M1	E2E-X8B218-M1
E2EM-X8B2 5M	E2E-X8B218 5M
E2EM-X8B2 2M	E2E-X8B218 2M
E2EM-X8B1-M1-1	No recommended replacement
E2EM-X8B1-M1	E2E-X8B1D18-M1
E2EM-X8B1 5M	E2E-X8B1D18 5M
E2EM-X8B1 2M	E2E-X8B1D18 2M
E2EM-X4C2-M1	E2E-X4C212-M1
E2EM-X4C2 5M	E2E-X4C212 5M
E2EM-X4C2 2M	E2E-X4C212 2M
E2EM-X4C1-M1	E2E-X4C112-M1
E2EM-X4C1 5M	E2E-X4C112 5M
E2EM-X4C1 2M	E2E-X4C112 2M
E2EM-X4B2-M1	E2E-X4B212-M1
E2EM-X4B2 5M	E2E-X4B212 5M
E2EM-X4B2 2M	E2E-X4B212 2M
E2EM-X4B1-M1	E2E-X4B1D12-M1
E2EM-X4B1 5M	E2E-X4B1D12 5M
E2EM-X4B1 2M	E2E-X4B1D12 2M
E2EM-X2C2-M1	E2E-X2C28-M1
E2EM-X2C2 5M	E2E-X2C28 5M
E2EM-X2C2 2M	E2E-X2C28 2M
E2EM-X2C1-M1J 0.3M	E2E-X2C18-M1TJ 0.3M
E2EM-X2C1-M1	E2E-X2C18-M1
E2EM-X2C1 5M	E2E-X2C18 5M
E2EM-X2C1 2M	E2E-X2C18 2M
E2EM-X2B2-M1	E2E-X2B28-M1
E2EM-X2B2 5M	E2E-X2B28 5M
E2EM-X2B2 2M	E2E-X2B28 2M
E2EM-X2B1-M1	E2E-X2B1D8-M1
E2EM-X2B1 5M	E2E-X2B1D8 5M
E2EM-X2B1 2M	E2E-X2B1D8 2M

Product discontinuation	Recommended replacement
E2EM-X15C2-M1	E2E-X15C230-M1
E2EM-X15C2 5M	E2E-X15C230 5M
E2EM-X15C2 2M	E2E-X15C230 2M
E2EM-X15C1-M1J 0.3M	E2E-X15C130-M1TJ 0.3M
E2EM-X15C1-M1	E2E-X15C130-M1
E2EM-X15C1-40 2M	No recommended replacement
E2EM-X15C1 5M	E2E-X15C130 5M
E2EM-X15C1 2M	E2E-X15C130 2M
E2EM-X15B2-M1	E2E-X15B230-M1
E2EM-X15B2 5M	E2E-X15B230 5M
E2EM-X15B2 2M	E2E-X15B230 2M
E2EM-X15B1-M1J 0.3M	E2E-X15B1D30-M1TJ 0.3M
E2EM-X15B1-M1	E2E-X15B1D30-M1
E2EM-X15B1 2M	E2E-X15B1D30 2M
E2E2-X5MC2-M1	E2E-X5MC2L12-M1
E2E2-X5MC2 5M	E2E-X5MC2L12 5M
E2E2-X5MC2 2M	E2E-X5MC2L12 2M
E2E2-X5MC1-M1	E2E-X5MC1L12-M1
E2E2-X5MC1 5M	E2E-X5MC1L12 5M
E2E2-X5MC1 2M	E2E-X5MC1L12 2M
E2E2-X5MC1 10M	No recommended replacement
E2E2-X5MB2-M1	E2E-X5MB2L12-M1
E2E2-X5MB2 5M	E2E-X5MB2L12 5M
E2E2-X5MB2 2M	E2E-X5MB2L12 2M
E2E2-X5MB1-M1	E2E-X5MB1DL12-M1
E2E2-X5MB1 5M	E2E-X5MB1DL12 5M
E2E2-X5MB1 2M	E2E-X5MB1DL12 2M
E2E2-X5C2-M1	E2E-X5C2L18-M1
E2E2-X5C2 5M	E2E-X5C2L18 5M
E2E2-X5C2 2M	E2E-X5C2L18 2M
E2E2-X5C1-M1	E2E-X5C1L18-M1
E2E2-X5C1-1 0.25M	No recommended replacement
E2E2-X5C1 5M	E2E-X5C1L18 5M
E2E2-X5C1 2M	E2E-X5C1L18 2M
E2E2-X5C1 15M	No recommended replacement
E2E2-X5B2-M1	E2E-X5B2L18-M1
E2E2-X5B2 5M	E2E-X5B2L18 5M
E2E2-X5B2 2M	E2E-X5B2L18 2M
E2E2-X5B2 10M	No recommended replacement
E2E2-X5B1-M1	E2E-X5B1DL18-M1
E2E2-X5B1-10 2M	No recommended replacement
E2E2-X5B1 5M	E2E-X5B1DL18 5M
E2E2-X5B1 2M	E2E-X5B1DL18 2M
E2E2-X2C2-M1	E2E-X2C2L12-M1

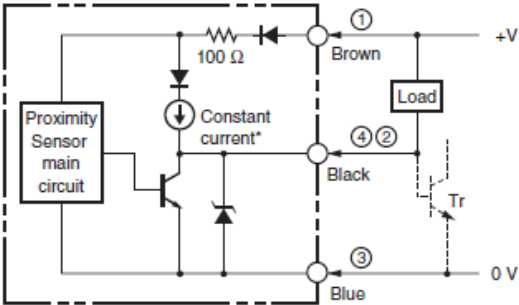
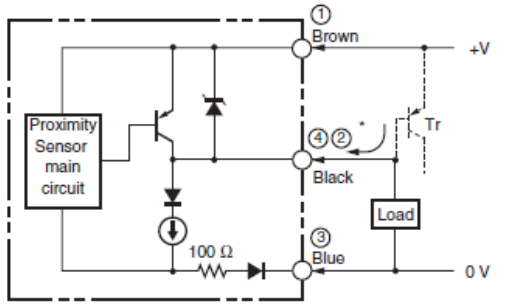
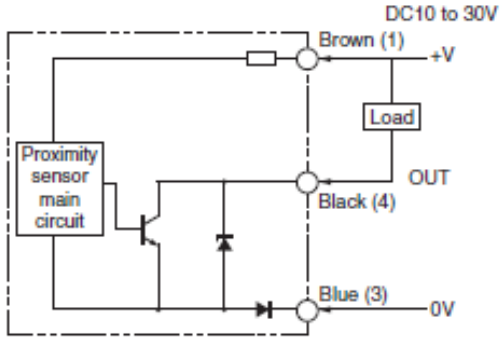
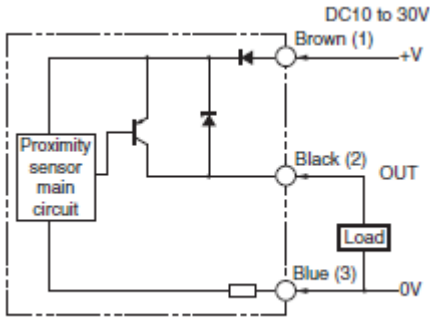
Product discontinuation	Recommended replacement
E2E2-X2C2 5M	E2E-X2C2L12 5M
E2E2-X2C2 2M	E2E-X2C2L12 2M
E2E2-X2C1-M1	E2E-X2C1L12-M1
E2E2-X2C1 5M	E2E-X2C1L12 5M
E2E2-X2C1 3M	No recommended replacement
E2E2-X2C1 2M	E2E-X2C1L12 2M
E2E2-X2C1 10M	No recommended replacement
E2E2-X2B2-M1	E2E-X2B2L12-M1
E2E2-X2B2 5M	E2E-X2B2L12 5M
E2E2-X2B2 2M	E2E-X2B2L12 2M
E2E2-X2B1-M1	E2E-X2B1DL12-M1
E2E2-X2B1 5M	E2E-X2B1DL12 5M
E2E2-X2B1 2M	E2E-X2B1DL12 2M
E2E2-X18MC2-M1	E2E-X18MC2L30-M1
E2E2-X18MC2 5M	E2E-X18MC2L30 5M
E2E2-X18MC2 2M	E2E-X18MC2L30 2M
E2E2-X18MC1-M1	E2E-X18MC1L30-M1
E2E2-X18MC1 5M	E2E-X18MC1L30 5M
E2E2-X18MC1 2M	E2E-X18MC1L30 2M
E2E2-X18MC1 15M	No recommended replacement
E2E2-X18MC1 10M	No recommended replacement
E2E2-X18MB2-M1	E2E-X18MB2L30-M1
E2E2-X18MB2 2M	E2E-X18MB2L30 2M
E2E2-X18MB1-M1	E2E-X18MB1DL30-M1
E2E2-X18MB1 5M	E2E-X18MB1DL30 5M
E2E2-X18MB1 2M	E2E-X18MB1DL30 2M
E2E2-X10MC2-M1	E2E-X10MC2L18-M1
E2E2-X10MC2 5M	E2E-X10MC2L18 5M
E2E2-X10MC2 2M	E2E-X10MC2L18 2M
E2E2-X10MC1-M1	E2E-X10MC1L18-M1
E2E2-X10MC1 5M	E2E-X10MC1L18 5M
E2E2-X10MC1 3M	No recommended replacement
E2E2-X10MC1 2M	E2E-X10MC1L18 2M
E2E2-X10MB2-M1	E2E-X10MB2L18-M1
E2E2-X10MB2 2M	E2E-X10MB2L18 2M
E2E2-X10MB1-M1	E2E-X10MB1DL18-M1
E2E2-X10MB1 5M	E2E-X10MB1DL18 5M
E2E2-X10MB1 2M	E2E-X10MB1DL18 2M
E2E2-X10MB1 10M	No recommended replacement
E2E2-X10C2-M1	E2E-X10C2L30-M1
E2E2-X10C2 5M	E2E-X10C2L30 5M
E2E2-X10C2 2M	E2E-X10C2L30 2M
E2E2-X10C2 10M	No recommended replacement
E2E2-X10C1-M1	E2E-X10C1L30-M1

Product discontinuation	Recommended replacement
E2E2-X10C1 5M	E2E-X10C1L30 5M
E2E2-X10C1 2M	E2E-X10C1L30 2M
E2E2-X10C1 10M	No recommended replacement
E2E2-X10B2-M1	E2E-X10B2L30-M1
E2E2-X10B2 2M	E2E-X10B2L30 2M
E2E2-X10B1-M1	E2E-X10B1DL30-M1
E2E2-X10B1 5M	E2E-X10B1DL30 5M
E2E2-X10B1 2M	E2E-X10B1DL30 2M

[Body color]

Product discontinuation Model E2E/E2E2/E2EM DC 3w series	Recommendable replacement Model E2E-Next DC 3w series
Detection surface color: Light gray Indicator light: red	Detection surface color: Black or light clay (basic model) Indicator light: orange

[Wire connection]

Product discontinuation Model E2E DC 3w series	Recommendable replacement Model E2E-Next DC 3w series
<p>DC 3-Wire Models Output circuit I/O Circuit Diagrams NPN output</p>  <p>*Constant current output is 1.5 to 3 mA. Note: For Connector Models, the connection between pins 1, 4 and 3 uses an NO contact, and the connection between pins 1, 2 and 3 uses an NC contact.</p> <p>PNP output</p>  <p>*When a transistor is connected Note: For Connector Models, the connection between pins 1, 4 and 3 uses an NO contact, and the connection between pins 1, 2 and 3 uses an NC contact.</p>	<p>DC 3-Wire Models Output circuit I/O Circuit Diagrams/Timing charts NPN output</p>  <p>DC10 to 30V</p> <p>PNP output</p>  <p>Note: M8 (3-pin) Connector: (1)(4)(3) Some PNP types are equipped with an I/O-Link Communication mode.</p>

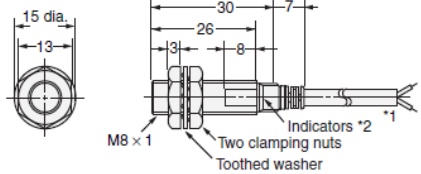
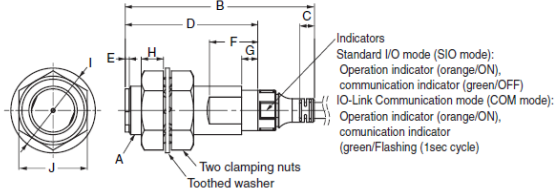
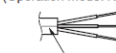


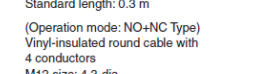
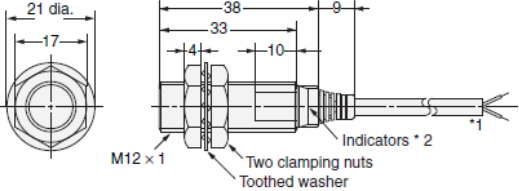
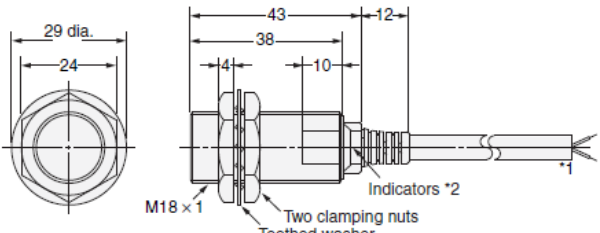
[Wire connection]

<p align="center">Product discontinuation Model E2E2/E2EM DC 3w series</p>	<p align="center">Recommendable replacement Model E2E-Next DC 3w series</p>
<p>DC 3-Wire Models Output circuit I/O Circuit Diagrams NPN output</p> <p>Note: Use pin 4 for NO. Use pin 2 for NC.</p> <p>PNP output</p> <p>Note: Use pin 4 for NO. Use pin 2 for NC.</p>	<p>DC 3-Wire Models Output circuit I/O Circuit Diagrams/Timing charts NPN output</p> <p>DC10 to 30V</p> <p>Note: M8 (3-pin) Connector: (1)(4)(3)</p> <p>Some PNP types are equipped with an I/O-Link Communication mode.</p> <p>PNP output</p> <p>DC10 to 30V</p>

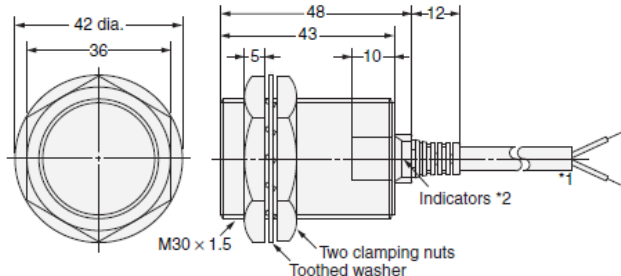
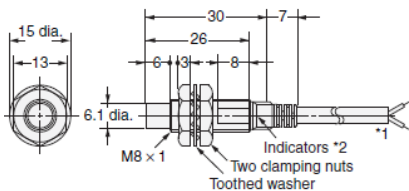
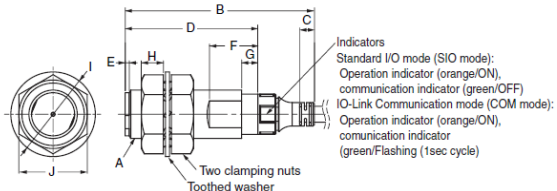
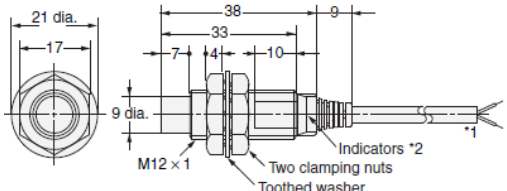
[Mounting dimensions]

<p align="center">Product discontinuation Model E2E/E2E2/E2EM DC 3w series</p>	<p align="center">Recommendable replacement Model E2E-Next series</p>																				
<p>Mounting Hole Dimensions</p> <table border="1" data-bbox="415 1444 737 1659"> <thead> <tr> <th>Dimensions</th> <th>F (mm)</th> </tr> </thead> <tbody> <tr> <td>M8</td> <td>8.5 dia. $\begin{smallmatrix} +0.5 \\ 0 \end{smallmatrix}$</td> </tr> <tr> <td>M12</td> <td>12.5 dia. $\begin{smallmatrix} +0.5 \\ 0 \end{smallmatrix}$</td> </tr> <tr> <td>M18</td> <td>18.5 dia. $\begin{smallmatrix} +0.5 \\ 0 \end{smallmatrix}$</td> </tr> <tr> <td>M30</td> <td>30.5 dia. $\begin{smallmatrix} +0.5 \\ 0 \end{smallmatrix}$</td> </tr> </tbody> </table>	Dimensions	F (mm)	M8	8.5 dia. $\begin{smallmatrix} +0.5 \\ 0 \end{smallmatrix}$	M12	12.5 dia. $\begin{smallmatrix} +0.5 \\ 0 \end{smallmatrix}$	M18	18.5 dia. $\begin{smallmatrix} +0.5 \\ 0 \end{smallmatrix}$	M30	30.5 dia. $\begin{smallmatrix} +0.5 \\ 0 \end{smallmatrix}$	<p>Mounting Hole Dimensions</p> <table border="1" data-bbox="1110 1444 1432 1659"> <thead> <tr> <th>Dimensions</th> <th>F (mm)</th> </tr> </thead> <tbody> <tr> <td>M8</td> <td>8.5 dia. $\begin{smallmatrix} +0.5 \\ 0 \end{smallmatrix}$</td> </tr> <tr> <td>M12</td> <td>12.5 dia. $\begin{smallmatrix} +0.5 \\ 0 \end{smallmatrix}$</td> </tr> <tr> <td>M18</td> <td>18.5 dia. $\begin{smallmatrix} +0.5 \\ 0 \end{smallmatrix}$</td> </tr> <tr> <td>M30</td> <td>30.5 dia. $\begin{smallmatrix} +0.5 \\ 0 \end{smallmatrix}$</td> </tr> </tbody> </table>	Dimensions	F (mm)	M8	8.5 dia. $\begin{smallmatrix} +0.5 \\ 0 \end{smallmatrix}$	M12	12.5 dia. $\begin{smallmatrix} +0.5 \\ 0 \end{smallmatrix}$	M18	18.5 dia. $\begin{smallmatrix} +0.5 \\ 0 \end{smallmatrix}$	M30	30.5 dia. $\begin{smallmatrix} +0.5 \\ 0 \end{smallmatrix}$
Dimensions	F (mm)																				
M8	8.5 dia. $\begin{smallmatrix} +0.5 \\ 0 \end{smallmatrix}$																				
M12	12.5 dia. $\begin{smallmatrix} +0.5 \\ 0 \end{smallmatrix}$																				
M18	18.5 dia. $\begin{smallmatrix} +0.5 \\ 0 \end{smallmatrix}$																				
M30	30.5 dia. $\begin{smallmatrix} +0.5 \\ 0 \end{smallmatrix}$																				
Dimensions	F (mm)																				
M8	8.5 dia. $\begin{smallmatrix} +0.5 \\ 0 \end{smallmatrix}$																				
M12	12.5 dia. $\begin{smallmatrix} +0.5 \\ 0 \end{smallmatrix}$																				
M18	18.5 dia. $\begin{smallmatrix} +0.5 \\ 0 \end{smallmatrix}$																				
M30	30.5 dia. $\begin{smallmatrix} +0.5 \\ 0 \end{smallmatrix}$																				

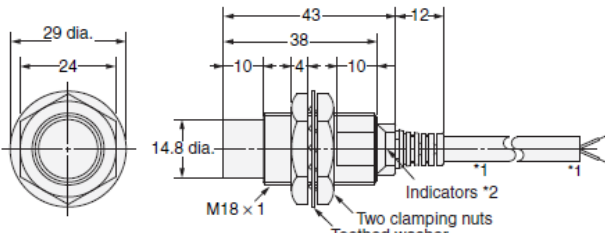
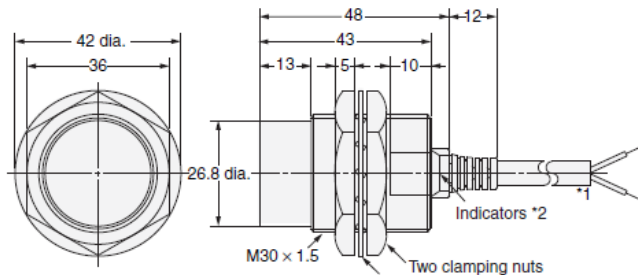
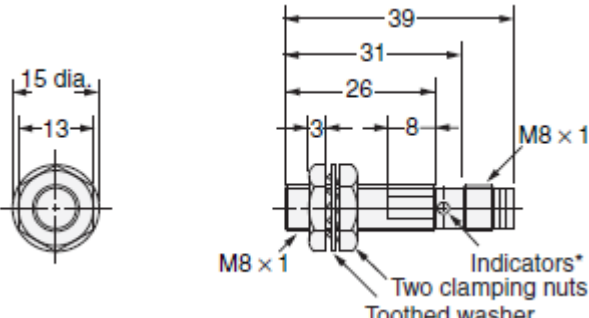
[Dimensions]

Product discontinuation Model E2E/E2E2/E2EM DC 3w series	Recommendable replacement Model E2E-Next series																																																																																																			
<p>M8 Pre-wired type (Shielded) E2E-X1R5E*/F*</p>  <p>*1. 4-dia. vinyl-insulated round cable with 2 conductors (Conductor cross section: 0.3 mm², Insulator diameter: 1.3 mm), Standard length: 2 m 4-dia. vinyl-insulated round cable with 3 conductors (Conductor cross section: 0.3 mm², Insulator diameter: 1.3 mm), Standard length: 2 m Robotics Cable Models: 4-dia. vinyl-insulated round cable with 2 conductors (Conductor cross section: 0.3 mm², Insulator diameter: 1.27 mm), Standard length: 2 m 4-dia. vinyl-insulated round cable with 3 conductors (Conductor cross section: 0.3 mm², Insulator diameter: 1.27 mm), Standard length: 2 m Models with Highly Oil-resistant Cables: 4-dia. polyurethane-insulated round cable with 2 conductors (Conductor cross section: 0.3 mm², Insulator diameter: 1.3 mm), Standard length: 2 m The cable can be extended up to 200 m (separate metal conduit). *2. D1 Models: Operation indicator (red) and setting indicator (green), D2/E/F Models: Operation indicator (red)</p>	<p>Pre-wired Models of E2E-Next series (dimension table).</p>  <p>Pre-wired Models (Operation mode: NO, NC Type)</p>  <p>Vinyl-insulated round cable with 3 conductors M8, M12 size: 4-dia. M18, M30 size: 6-dia. (Conductor cross section: 0.2 mm² (AWG24), Insulator diameter: 1.05 mm), Standard length: 2 m (Operation mode: NO+NC Type)</p>  <p>Vinyl-insulated round cable with 4 conductors M12 size: 4.3-dia. M18/M30 size: 6-dia. (Conductor cross section: 0.2 mm² (AWG24), Insulator diameter: 1.05 mm), Standard length: 2 m</p> <p>Pre-wired Connector Models (M1TJ) (Operation mode: NO, NC Type)</p>  <p>Vinyl-insulated round cable with 3 conductors M8, M12 size: 4-dia. M18, M30 size: 6-dia. (Conductor cross section: 0.2 mm² (AWG24), Insulator diameter: 1.05 mm), Standard length: 0.3 m (Operation mode: NO+NC Type)</p>  <p>Vinyl-insulated round cable with 4 conductors M12 size: 4.3-dia. M18, M30 size: 6-dia. (Conductor cross section: 0.2 mm² (AWG24), Insulator diameter: 1.05 mm), Standard length: 0.3 m</p>																																																																																																			
<p>M12 Pre-wired type (Shielded) E2E-X2E*/F*</p>  <p>*1. 4-dia. vinyl-insulated round cable with 2 conductors (Conductor cross section: 0.3 mm², Insulator diameter: 1.3 mm), Standard length: 2 m 4-dia. vinyl-insulated round cable with 3 conductors (Conductor cross section: 0.3 mm², Insulator diameter: 1.3 mm), Standard length: 2 m Robotics Cable Models: 4-dia. vinyl-insulated round cable with 2 conductors (Conductor cross section: 0.3 mm², Insulator diameter: 1.27 mm), Standard length: 2 m 4-dia. vinyl-insulated round cable with 3 conductors (Conductor cross section: 0.3 mm², Insulator diameter: 1.27 mm), Standard length: 2 m Models with Highly Oil-resistant Cables: 4-dia. polyurethane-insulated round cable with 2 conductors (Conductor cross section: 0.3 mm², Insulator diameter: 1.3 mm), Standard length: 2 m The cable can be extended (separate metal conduit) up to 200 m for the control output and up to 100 m for the diagnostic output. *2. D1 Models: Operation indicator (red) and setting indicator (green), D2/E/F Models: Operation indicator (red)</p>	<p>Shielded</p> <table border="1" data-bbox="868 1039 1502 1312"> <thead> <tr> <th>Model</th> <th>A</th> <th>B</th> <th>C</th> <th>D</th> <th>E</th> <th>F</th> <th>G*</th> <th>H</th> <th>I</th> <th>J</th> </tr> </thead> <tbody> <tr> <td>E2E(Q)-X0D8</td> <td>M8XP1</td> <td>37.8</td> <td>4.4</td> <td>26</td> <td>1</td> <td>10</td> <td>4</td> <td>4</td> <td>15</td> <td>13</td> </tr> <tr> <td>E2E(Q)-X0D12</td> <td>M12XP1</td> <td>47.1</td> <td>3.7</td> <td>33</td> <td>1</td> <td>12</td> <td>4</td> <td>5.5</td> <td>21</td> <td>17</td> </tr> <tr> <td>E2E(Q)-X0D18</td> <td>M18XP1</td> <td>55.3</td> <td>8.5</td> <td>38</td> <td>1</td> <td>12</td> <td>4</td> <td>6</td> <td>29</td> <td>24</td> </tr> <tr> <td>E2E(Q)-X0D30</td> <td>M30XP1.5</td> <td>60.3</td> <td>8.3</td> <td>43</td> <td>1</td> <td>12</td> <td>4</td> <td>7</td> <td>42</td> <td>36</td> </tr> <tr> <td>E2E-X0L8</td> <td>M8XP1</td> <td>47.8</td> <td>4.4</td> <td>36</td> <td>1</td> <td>10</td> <td>---</td> <td>4</td> <td>15</td> <td>13</td> </tr> <tr> <td>E2E-X0L12</td> <td>M12XP1</td> <td>69.1</td> <td>3.7</td> <td>55</td> <td>1</td> <td>12</td> <td>---</td> <td>5.5</td> <td>21</td> <td>17</td> </tr> <tr> <td>E2E-X0L18</td> <td>M18XP1</td> <td>77.3</td> <td>8.5</td> <td>60</td> <td>1</td> <td>12</td> <td>---</td> <td>6</td> <td>29</td> <td>24</td> </tr> <tr> <td>E2E-X0L30</td> <td>M30XP1.5</td> <td>82.3</td> <td>8.3</td> <td>65</td> <td>1</td> <td>12</td> <td>---</td> <td>7</td> <td>42</td> <td>36</td> </tr> </tbody> </table>	Model	A	B	C	D	E	F	G*	H	I	J	E2E(Q)-X0D8	M8XP1	37.8	4.4	26	1	10	4	4	15	13	E2E(Q)-X0D12	M12XP1	47.1	3.7	33	1	12	4	5.5	21	17	E2E(Q)-X0D18	M18XP1	55.3	8.5	38	1	12	4	6	29	24	E2E(Q)-X0D30	M30XP1.5	60.3	8.3	43	1	12	4	7	42	36	E2E-X0L8	M8XP1	47.8	4.4	36	1	10	---	4	15	13	E2E-X0L12	M12XP1	69.1	3.7	55	1	12	---	5.5	21	17	E2E-X0L18	M18XP1	77.3	8.5	60	1	12	---	6	29	24	E2E-X0L30	M30XP1.5	82.3	8.3	65	1	12	---	7	42	36
Model	A	B	C	D	E	F	G*	H	I	J																																																																																										
E2E(Q)-X0D8	M8XP1	37.8	4.4	26	1	10	4	4	15	13																																																																																										
E2E(Q)-X0D12	M12XP1	47.1	3.7	33	1	12	4	5.5	21	17																																																																																										
E2E(Q)-X0D18	M18XP1	55.3	8.5	38	1	12	4	6	29	24																																																																																										
E2E(Q)-X0D30	M30XP1.5	60.3	8.3	43	1	12	4	7	42	36																																																																																										
E2E-X0L8	M8XP1	47.8	4.4	36	1	10	---	4	15	13																																																																																										
E2E-X0L12	M12XP1	69.1	3.7	55	1	12	---	5.5	21	17																																																																																										
E2E-X0L18	M18XP1	77.3	8.5	60	1	12	---	6	29	24																																																																																										
E2E-X0L30	M30XP1.5	82.3	8.3	65	1	12	---	7	42	36																																																																																										
<p>M18 Pre-wired type (Shielded) E2E-X5E*/F*</p>  <p>*1. 6-dia. vinyl-insulated round cable with 2 conductors (Conductor cross section: 0.5 mm², Insulator diameter: 1.9 mm), Standard length: 2 m 6-dia. vinyl-insulated round cable with 3 conductors (Conductor cross section: 0.5 mm², Insulator diameter: 1.9 mm), Standard length: 2 m Robotics Cable Models: 6-dia. vinyl-insulated round cable with 2 conductors (Conductor cross section: 0.5 mm², Insulator diameter: 1.74 mm), Standard length: 2 m 6-dia. vinyl-insulated round cable with 3 conductors (Conductor cross section: 0.5 mm², Insulator diameter: 1.74 mm), Standard length: 2 m Models with Highly Oil-resistant Cables: 6-dia. polyurethane-insulated round cable with 2 conductors (Conductor cross section: 0.5 mm², Insulator diameter: 1.9 mm), Standard length: 2 m The cable can be extended (separate metal conduit) up to 200 m for the control output and up to 100 m for the diagnostic output. *2. D1/T Models: Operation indicator (red), Setting indicator (green) D2/E/F/Y Models: Operation indicator (red)</p>	<p>Unshielded</p> <table border="1" data-bbox="868 1344 1502 1606"> <thead> <tr> <th>Model</th> <th>A</th> <th>B</th> <th>C</th> <th>D</th> <th>E</th> <th>F</th> <th>G*</th> <th>H</th> <th>I</th> <th>J</th> </tr> </thead> <tbody> <tr> <td>E2E-X0M08</td> <td>M8XP1</td> <td>37.8</td> <td>4.4</td> <td>26</td> <td>6</td> <td>8</td> <td>---</td> <td>3</td> <td>15</td> <td>13</td> </tr> <tr> <td>E2E-X0M012</td> <td>M12XP1</td> <td>47.1</td> <td>3.7</td> <td>33</td> <td>7</td> <td>10</td> <td>---</td> <td>4</td> <td>21</td> <td>17</td> </tr> <tr> <td>E2E-X0M018</td> <td>M18XP1</td> <td>47.8</td> <td>4.4</td> <td>36</td> <td>6</td> <td>8</td> <td>---</td> <td>3</td> <td>15</td> <td>13</td> </tr> <tr> <td>E2E-X0M012</td> <td>M12XP1</td> <td>69.1</td> <td>3.7</td> <td>55</td> <td>7</td> <td>10</td> <td>---</td> <td>4</td> <td>21</td> <td>17</td> </tr> <tr> <td>E2E-X0M018</td> <td>M18XP1</td> <td>77.3</td> <td>8.5</td> <td>60</td> <td>13</td> <td>12</td> <td>---</td> <td>4</td> <td>29</td> <td>24</td> </tr> <tr> <td>E2E-S0S12D</td> <td>M30XP1.5</td> <td>82.3</td> <td>8.3</td> <td>65</td> <td>15</td> <td>10</td> <td>---</td> <td>5</td> <td>42</td> <td>36</td> </tr> <tr> <td>E2E-S0S12D</td> <td>M30X1.5</td> <td>97.3</td> <td>8.3</td> <td>80</td> <td>15</td> <td>12</td> <td>---</td> <td>5</td> <td>42</td> <td>36</td> </tr> </tbody> </table> <p>Note.1: E2E-Next series has one toothed washer. Note.2: E2E(Q) means E2EQ series and E2EQ series is for welding process type and has the threaded body and sensing head covered with the fluorine resin for spatter resistance. Note.3: Fixing Nut set is as same as E2E series.</p>	Model	A	B	C	D	E	F	G*	H	I	J	E2E-X0M08	M8XP1	37.8	4.4	26	6	8	---	3	15	13	E2E-X0M012	M12XP1	47.1	3.7	33	7	10	---	4	21	17	E2E-X0M018	M18XP1	47.8	4.4	36	6	8	---	3	15	13	E2E-X0M012	M12XP1	69.1	3.7	55	7	10	---	4	21	17	E2E-X0M018	M18XP1	77.3	8.5	60	13	12	---	4	29	24	E2E-S0S12D	M30XP1.5	82.3	8.3	65	15	10	---	5	42	36	E2E-S0S12D	M30X1.5	97.3	8.3	80	15	12	---	5	42	36											
Model	A	B	C	D	E	F	G*	H	I	J																																																																																										
E2E-X0M08	M8XP1	37.8	4.4	26	6	8	---	3	15	13																																																																																										
E2E-X0M012	M12XP1	47.1	3.7	33	7	10	---	4	21	17																																																																																										
E2E-X0M018	M18XP1	47.8	4.4	36	6	8	---	3	15	13																																																																																										
E2E-X0M012	M12XP1	69.1	3.7	55	7	10	---	4	21	17																																																																																										
E2E-X0M018	M18XP1	77.3	8.5	60	13	12	---	4	29	24																																																																																										
E2E-S0S12D	M30XP1.5	82.3	8.3	65	15	10	---	5	42	36																																																																																										
E2E-S0S12D	M30X1.5	97.3	8.3	80	15	12	---	5	42	36																																																																																										

[Dimensions]

<p align="center">Product discontinuation Model E2E/E2E2/E2EM DC 3w series</p>	<p align="center">Recommendable replacement Model E2E-Next series</p>
<p>M30 Pre-wired type (Shielded) E2E-X10E*/F*</p>  <p>*1. 6-dia. vinyl-insulated round cable with 2 conductors (Conductor cross section: 0.5 mm², Insulator diameter: 1.9 mm), Standard length: 2 m 6-dia. vinyl-insulated round cable with 3 conductors (Conductor cross section: 0.5 mm², Insulator diameter: 1.9 mm), Standard length: 2 m Robotics Cable Models: 6-dia. vinyl-insulated round cable with 2 conductors (Conductor cross section: 0.5 mm², Insulator diameter: 1.74 mm), Standard length: 2 m 6-dia. vinyl-insulated round cable with 3 conductors (Conductor cross section: 0.5 mm², Insulator diameter: 1.74 mm), Standard length: 2 m Models with Highly Oil-resistant: 6-dia. polyurethane-insulated round cable with 2 conductors (Conductor cross section: 0.5 mm², Insulator diameter: 1.9 mm), Standard length: 2 m The cable can be extended (separate metal conduit) up to 200 m for the control output and up to 100 m for the diagnostic output. *2. D1/T Models: Operation indicator (red), Setting indicator (green) D2/E/F/Y Models: Operation indicator (red)</p>	
<p>M8 Pre-wired type (Non-shielded) E2E-X2ME*/F*</p>  <p>*1. 4-dia. vinyl-insulated round cable with 2 conductors (Conductor cross section: 0.3 mm², Insulator diameter: 1.3 mm), Standard length: 2 m 4-dia. vinyl-insulated round cable with 3 conductors (Conductor cross section: 0.3 mm², Insulator diameter: 1.3 mm), Standard length: 2 m Robotics Cable Models: 4-dia. vinyl-insulated round cable with 2 conductors (Conductor cross section: 0.3 mm², Insulator diameter: 1.27 mm), Standard length: 2 m 4-dia. vinyl-insulated round cable with 3 conductors (Conductor cross section: 0.3 mm², Insulator diameter: 1.27 mm), Standard length: 2 m The cable can be extended up to 200 m (separate metal conduit). *2. D1 Models: Operation indicator (red) and setting indicator (green), D2/E/F Models: Operation indicator (red)</p>	<p>Pre-wired Models of E2E-Next series (dimension table).</p>  <p>Pre-wired Models (Operation mode: NO, NC Type)</p> <p>Vinyl-insulated round cable with 3 conductors M8, M12 size: 4-dia. M18, M30 size: 6-dia. (Conductor cross section: 0.2 mm² (AWG24), Insulator diameter: 1.05 mm), Standard length: 2 m (Operation mode: NO+NC Type)</p> <p>Pre-wired Connector Models (M1TJ) M12xP1</p> <p>(Operation mode: NO, NC Type) Vinyl-insulated round cable with 3 conductors M8, M12 size: 4-dia. M18, M30 size: 6-dia. (Conductor cross section: 0.2 mm² (AWG24), Insulator diameter: 1.05 mm), Standard length: 0.3 m (Operation mode: NO+NC Type) Vinyl-insulated round cable with 4 conductors M12 size: 4.3-dia. M18, M30 size: 6-dia. (Conductor cross section: 0.2 mm² (AWG24), Insulator diameter: 1.05 mm), Standard length: 0.3 m</p>
<p>M12 Pre-wired type (Non-shielded) E2E-X5ME*/F*</p>  <p>*1. 4-dia. vinyl-insulated round cable with 2 conductors (Conductor cross section: 0.3 mm², Insulator diameter: 1.3 mm), Standard length: 2 m 4-dia. vinyl-insulated round cable with 3 conductors (Conductor cross section: 0.3 mm², Insulator diameter: 1.3 mm), Standard length: 2 m Robotics Cable Models: 4-dia. vinyl-insulated round cable with 2 conductors (Conductor cross section: 0.3 mm², Insulator diameter: 1.27 mm), Standard length: 2 m 4-dia. vinyl-insulated round cable with 3 conductors (Conductor cross section: 0.3 mm², Insulator diameter: 1.27 mm), Standard length: 2 m The cable can be extended (separate metal conduit) up to 200 m for the control output and up to 100 m for the diagnostic output. *2. D1 Models: Operation indicator (red) and setting indicator (green), D2/E/F Models: Operation indicator (red)</p>	

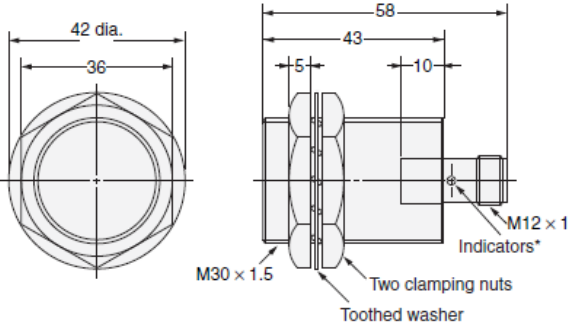
[Dimensions]

<p align="center">Product discontinuation Model E2E/E2E2/E2EM DC 3w series</p>	<p align="center">Recommendable replacement Model E2E-Next series</p>																																																																																																																																																																																											
<p>M18 Pre-wired type (Non-shielded) E2E-X10ME*/F*</p>  <p>*1. 6-dia. vinyl-insulated round cable with 2 conductors (Conductor cross section: 0.5 mm², Insulator diameter: 1.9 mm), Standard length: 2 m 6-dia. vinyl-insulated round cable with 3 conductors (Conductor cross section: 0.5 mm², Insulator diameter: 1.9 mm), Standard length: 2 m Robotics Cable Models: 6-dia. vinyl-insulated round cable with 2 conductors (Conductor cross section: 0.5 mm², Insulator diameter: 1.74 mm), Standard length: 2 m 6-dia. vinyl-insulated round cable with 3 conductors (Conductor cross section: 0.5 mm², Insulator diameter: 1.74 mm), Standard length: 2 m The cable can be extended (separate metal conduit) up to 200 m for the control output and up to 100 m for the diagnostic output. *2. D1/T Models: Operation indicator (red), Setting indicator (green) D2/E/F/Y Models: Operation indicator (red)</p>	<p>Shielded</p> <table border="1" data-bbox="868 336 1502 598"> <thead> <tr> <th>Model</th> <th>A</th> <th>B</th> <th>C</th> <th>D</th> <th>E</th> <th>F</th> <th>G*</th> <th>H</th> <th>I</th> <th>J</th> </tr> </thead> <tbody> <tr> <td>E2E(Q)-X□8</td> <td>M8XP1</td> <td>37.8</td> <td>4.4</td> <td>26</td> <td>1</td> <td>10</td> <td>4</td> <td>4</td> <td>15</td> <td>13</td> </tr> <tr> <td>E2E(Q)-X□12</td> <td>M12XP1</td> <td>47.1</td> <td>3.7</td> <td>33</td> <td>1</td> <td>12</td> <td>4</td> <td>5.5</td> <td>21</td> <td>17</td> </tr> <tr> <td>E2E(Q)-X□18</td> <td>M18XP1</td> <td>55.3</td> <td>8.5</td> <td>38</td> <td>1</td> <td>12</td> <td>4</td> <td>6</td> <td>29</td> <td>24</td> </tr> <tr> <td>E2E(Q)-X□30</td> <td>M30XP1.5</td> <td>60.3</td> <td>8.3</td> <td>43</td> <td>1</td> <td>12</td> <td>4</td> <td>7</td> <td>42</td> <td>36</td> </tr> <tr> <td>E2E-X□L8</td> <td>M8XP1</td> <td>47.8</td> <td>4.4</td> <td>36</td> <td>1</td> <td>10</td> <td>---</td> <td>4</td> <td>15</td> <td>13</td> </tr> <tr> <td>E2E-X□L12</td> <td>M12XP1</td> <td>69.1</td> <td>3.7</td> <td>55</td> <td>1</td> <td>12</td> <td>---</td> <td>5.5</td> <td>21</td> <td>17</td> </tr> <tr> <td>E2E-X□L18</td> <td>M18XP1</td> <td>77.3</td> <td>8.5</td> <td>60</td> <td>1</td> <td>12</td> <td>---</td> <td>6</td> <td>29</td> <td>24</td> </tr> <tr> <td>E2E-X□L30</td> <td>M30XP1.5</td> <td>82.3</td> <td>8.3</td> <td>65</td> <td>1</td> <td>12</td> <td>---</td> <td>7</td> <td>42</td> <td>36</td> </tr> </tbody> </table> <p>Unshielded</p> <table border="1" data-bbox="868 640 1502 892"> <thead> <tr> <th>Model</th> <th>A</th> <th>B</th> <th>C</th> <th>D</th> <th>E</th> <th>F</th> <th>G*</th> <th>H</th> <th>I</th> <th>J</th> </tr> </thead> <tbody> <tr> <td>E2E-X□M□8</td> <td>M8XP1</td> <td>37.8</td> <td>4.4</td> <td>26</td> <td>6</td> <td>8</td> <td>---</td> <td>3</td> <td>15</td> <td>13</td> </tr> <tr> <td>E2E-X□M□12</td> <td>M12XP1</td> <td>47.1</td> <td>3.7</td> <td>33</td> <td>7</td> <td>10</td> <td>---</td> <td>4</td> <td>21</td> <td>17</td> </tr> <tr> <td>E2E-X□M□L8</td> <td>M8XP1</td> <td>47.8</td> <td>4.4</td> <td>36</td> <td>6</td> <td>8</td> <td>---</td> <td>3</td> <td>15</td> <td>13</td> </tr> <tr> <td>E2E-X□M□L12</td> <td>M12XP1</td> <td>69.1</td> <td>3.7</td> <td>55</td> <td>7</td> <td>10</td> <td>---</td> <td>4</td> <td>21</td> <td>17</td> </tr> <tr> <td>E2E-X□M□L18</td> <td>M18XP1</td> <td>77.3</td> <td>8.5</td> <td>60</td> <td>13</td> <td>12</td> <td>---</td> <td>4</td> <td>29</td> <td>24</td> </tr> <tr> <td>E2E-S□S1□2</td> <td>M30XP1.5</td> <td>82.3</td> <td>8.3</td> <td>65</td> <td>15</td> <td>10</td> <td>---</td> <td>5</td> <td>42</td> <td>36</td> </tr> <tr> <td>E2E-S□S1□2</td> <td>M30X1.5</td> <td>97.3</td> <td>8.3</td> <td>80</td> <td>15</td> <td>12</td> <td>---</td> <td>5</td> <td>42</td> <td>36</td> </tr> </tbody> </table>	Model	A	B	C	D	E	F	G*	H	I	J	E2E(Q)-X□8	M8XP1	37.8	4.4	26	1	10	4	4	15	13	E2E(Q)-X□12	M12XP1	47.1	3.7	33	1	12	4	5.5	21	17	E2E(Q)-X□18	M18XP1	55.3	8.5	38	1	12	4	6	29	24	E2E(Q)-X□30	M30XP1.5	60.3	8.3	43	1	12	4	7	42	36	E2E-X□L8	M8XP1	47.8	4.4	36	1	10	---	4	15	13	E2E-X□L12	M12XP1	69.1	3.7	55	1	12	---	5.5	21	17	E2E-X□L18	M18XP1	77.3	8.5	60	1	12	---	6	29	24	E2E-X□L30	M30XP1.5	82.3	8.3	65	1	12	---	7	42	36	Model	A	B	C	D	E	F	G*	H	I	J	E2E-X□M□8	M8XP1	37.8	4.4	26	6	8	---	3	15	13	E2E-X□M□12	M12XP1	47.1	3.7	33	7	10	---	4	21	17	E2E-X□M□L8	M8XP1	47.8	4.4	36	6	8	---	3	15	13	E2E-X□M□L12	M12XP1	69.1	3.7	55	7	10	---	4	21	17	E2E-X□M□L18	M18XP1	77.3	8.5	60	13	12	---	4	29	24	E2E-S□S1□2	M30XP1.5	82.3	8.3	65	15	10	---	5	42	36	E2E-S□S1□2	M30X1.5	97.3	8.3	80	15	12	---	5	42	36
Model	A	B	C	D	E	F	G*	H	I	J																																																																																																																																																																																		
E2E(Q)-X□8	M8XP1	37.8	4.4	26	1	10	4	4	15	13																																																																																																																																																																																		
E2E(Q)-X□12	M12XP1	47.1	3.7	33	1	12	4	5.5	21	17																																																																																																																																																																																		
E2E(Q)-X□18	M18XP1	55.3	8.5	38	1	12	4	6	29	24																																																																																																																																																																																		
E2E(Q)-X□30	M30XP1.5	60.3	8.3	43	1	12	4	7	42	36																																																																																																																																																																																		
E2E-X□L8	M8XP1	47.8	4.4	36	1	10	---	4	15	13																																																																																																																																																																																		
E2E-X□L12	M12XP1	69.1	3.7	55	1	12	---	5.5	21	17																																																																																																																																																																																		
E2E-X□L18	M18XP1	77.3	8.5	60	1	12	---	6	29	24																																																																																																																																																																																		
E2E-X□L30	M30XP1.5	82.3	8.3	65	1	12	---	7	42	36																																																																																																																																																																																		
Model	A	B	C	D	E	F	G*	H	I	J																																																																																																																																																																																		
E2E-X□M□8	M8XP1	37.8	4.4	26	6	8	---	3	15	13																																																																																																																																																																																		
E2E-X□M□12	M12XP1	47.1	3.7	33	7	10	---	4	21	17																																																																																																																																																																																		
E2E-X□M□L8	M8XP1	47.8	4.4	36	6	8	---	3	15	13																																																																																																																																																																																		
E2E-X□M□L12	M12XP1	69.1	3.7	55	7	10	---	4	21	17																																																																																																																																																																																		
E2E-X□M□L18	M18XP1	77.3	8.5	60	13	12	---	4	29	24																																																																																																																																																																																		
E2E-S□S1□2	M30XP1.5	82.3	8.3	65	15	10	---	5	42	36																																																																																																																																																																																		
E2E-S□S1□2	M30X1.5	97.3	8.3	80	15	12	---	5	42	36																																																																																																																																																																																		
<p>M30 Pre-wired type (Non-shielded) E2E-X18ME*/F*</p>  <p>*1. 6-dia. vinyl-insulated round cable with 2 conductors (Conductor cross section: 0.5 mm², Insulator diameter: 1.9 mm), Standard length: 2 m 6-dia. vinyl-insulated round cable with 3 conductors (Conductor cross section: 0.5 mm², Insulator diameter: 1.9 mm), Standard length: 2 m Robotics Cable Models: 6-dia. vinyl-insulated round cable with 2 conductors (Conductor cross section: 0.5 mm², Insulator diameter: 1.74 mm), Standard length: 2 m 6-dia. vinyl-insulated round cable with 3 conductors (Conductor cross section: 0.5 mm², Insulator diameter: 1.74 mm), Standard length: 2 m The cable can be extended (separate metal conduit) up to 200 m for the control output and up to 100 m for the diagnostic output. *2. D1/T Models: Operation indicator (red), Setting indicator (green) D2/E/F/Y Models: Operation indicator (red)</p>	<p>Note.1: E2E-Next series has one toothed washer.</p> <p>Note.2: E2E(Q) means E2EQ series and E2EQ series is for welding process type and has the threaded body and sensing head covered with the fluorine resin for spatter resistance.</p> <p>Note.3: Fixing Nut set is as same as E2E series.</p>																																																																																																																																																																																											
<p>M8 connector type with M8 size connector (Shielded) E2E-X1R5E*-M3/X1RF*-M3</p> 	<p>The dimension table of connector models for E2E-Next series is on the next page</p>																																																																																																																																																																																											

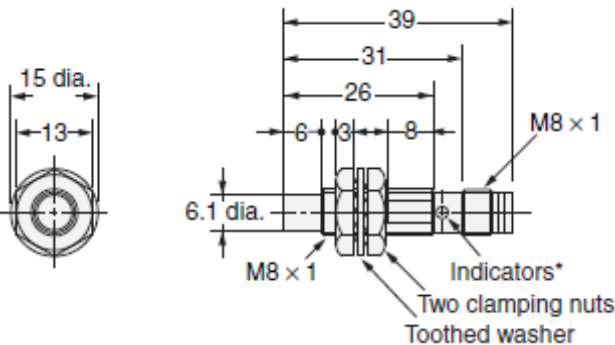
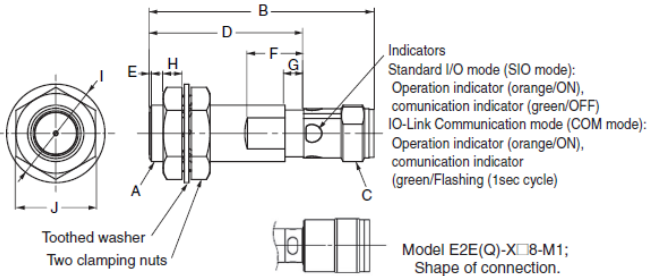
Product discontinuation Model E2E/E2E2/E2EM DC 3w series	Recommendable replacement Model E2E-Next series
* D Models: Operation indicator (red), Setting indicator (green) D2/E/F Models: Operation indicator (red)	

[Dimensions]

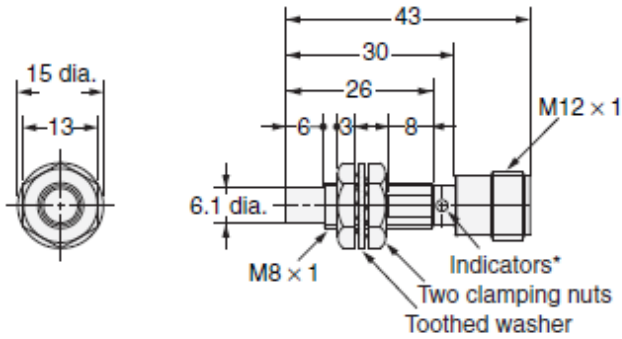
Product discontinuation Model E2E/E2E2/E2EM DC 3w series	Recommendable replacement Model E2E-Next series																																																																																																																																																																																																																																																		
<p>M8 connector type with M12 size connector (Shielded) E2E-X1R5E*-M1/E2E-X1R5F*-M1</p> <p>* D1 Models: Operation indicator (red), Setting indicator (green) D2/E/F Models: Operation indicator (red)</p>	<p>Shielded</p> <table border="1"> <thead> <tr> <th>Model</th> <th>A</th> <th>B</th> <th>C</th> <th>D</th> <th>E</th> <th>F^{*1}</th> <th>G^{*2}</th> <th>H</th> <th>I</th> <th>J</th> </tr> </thead> <tbody> <tr> <td>E2E(Q)-X□30 X□8-M3/M5</td> <td>M8XP1</td> <td>39</td> <td>M8XP1</td> <td>26</td> <td>---</td> <td>10 (8)</td> <td>4</td> <td>3</td> <td>15</td> <td>13</td> </tr> <tr> <td>E2E(Q)-X□8-M1</td> <td>M8XP1</td> <td>43</td> <td>M12XP1</td> <td>26</td> <td>---</td> <td>10 (8)</td> <td>4</td> <td>3</td> <td>15</td> <td>13</td> </tr> <tr> <td>E2E(Q)-X□12-M1</td> <td>M12XP1</td> <td>48</td> <td>M12XP1</td> <td>33</td> <td>---</td> <td>12 (10)</td> <td>4</td> <td>4</td> <td>21</td> <td>17</td> </tr> <tr> <td>E2E(Q)-X□18-M1</td> <td>M18XP1</td> <td>53</td> <td>M12XP1</td> <td>38</td> <td>---</td> <td>12 (10)</td> <td>4</td> <td>4</td> <td>29</td> <td>24</td> </tr> <tr> <td>E2E(Q)-X□30-M1</td> <td>M30XP1.5</td> <td>58</td> <td>M12XP1</td> <td>43</td> <td>---</td> <td>12 (10)</td> <td>4</td> <td>5</td> <td>42</td> <td>36</td> </tr> <tr> <td>E2E-X□L8-M3/M5</td> <td>M8XP1</td> <td>49</td> <td>M8XP1</td> <td>36</td> <td>---</td> <td>8</td> <td>---</td> <td>3</td> <td>15</td> <td>13</td> </tr> <tr> <td>E2E-X□L8-M1</td> <td>M8XP1</td> <td>53</td> <td>M12XP1</td> <td>36</td> <td>---</td> <td>8</td> <td>---</td> <td>3</td> <td>15</td> <td>13</td> </tr> <tr> <td>E2E-X□L12-M1</td> <td>M12XP1</td> <td>70</td> <td>M12XP1</td> <td>55</td> <td>---</td> <td>10</td> <td>---</td> <td>4</td> <td>21</td> <td>17</td> </tr> <tr> <td>E2E-X□L18-M1</td> <td>M18XP1</td> <td>75</td> <td>M12XP1</td> <td>60</td> <td>---</td> <td>10</td> <td>---</td> <td>4</td> <td>29</td> <td>24</td> </tr> <tr> <td>E2E-X□L30-M1</td> <td>M30XP1.5</td> <td>80</td> <td>M12XP1</td> <td>65</td> <td>---</td> <td>10</td> <td>---</td> <td>5</td> <td>42</td> <td>36</td> </tr> </tbody> </table> <p>Unshielded</p> <table border="1"> <thead> <tr> <th>Model</th> <th>A</th> <th>B</th> <th>C</th> <th>D</th> <th>E^{*3}</th> <th>F^{*2}</th> <th>G</th> <th>H</th> <th>I</th> <th>J</th> </tr> </thead> <tbody> <tr> <td>E2E-X□M□8-M3/M5</td> <td>M8XP1</td> <td>39</td> <td>M8XP1</td> <td>26</td> <td>6</td> <td>8</td> <td>---</td> <td>3</td> <td>15</td> <td>13</td> </tr> <tr> <td>E2E-X□M□8-M1</td> <td>M8XP1</td> <td>43</td> <td>M12XP1</td> <td>26</td> <td>6</td> <td>8</td> <td>---</td> <td>3</td> <td>15</td> <td>13</td> </tr> <tr> <td>E2E-X□M□12-M1</td> <td>M12XP1</td> <td>48</td> <td>M12XP1</td> <td>26</td> <td>7</td> <td>10</td> <td>---</td> <td>4</td> <td>21</td> <td>17</td> </tr> <tr> <td>E2E-X□M□18-M1</td> <td>M18XP1</td> <td>53</td> <td>M12XP1</td> <td>38</td> <td>10</td> <td>10</td> <td>---</td> <td>4</td> <td>29</td> <td>24</td> </tr> <tr> <td>E2E-X□M□30-M1</td> <td>M30XP1.5</td> <td>58</td> <td>M12XP1</td> <td>43</td> <td>13</td> <td>10</td> <td>---</td> <td>5</td> <td>42</td> <td>36</td> </tr> <tr> <td>E2E-X□M□L8-M3-M5</td> <td>M8XP1</td> <td>49</td> <td>M8XP1</td> <td>36</td> <td>6</td> <td>8</td> <td>---</td> <td>3</td> <td>15</td> <td>13</td> </tr> <tr> <td>E2E-X□M□L8-M1</td> <td>M8XP1</td> <td>53</td> <td>M12XP1</td> <td>36</td> <td>6</td> <td>8</td> <td>---</td> <td>3</td> <td>15</td> <td>13</td> </tr> <tr> <td>E2E-X□M□L12-M1</td> <td>M12XP1</td> <td>70</td> <td>M12XP1</td> <td>55</td> <td>7</td> <td>10</td> <td>---</td> <td>4</td> <td>21</td> <td>17</td> </tr> <tr> <td>E2EX□M□L18-M1</td> <td>M18XP1</td> <td>75</td> <td>M12XP1</td> <td>60</td> <td>10</td> <td>10</td> <td>---</td> <td>4</td> <td>29</td> <td>24</td> </tr> <tr> <td>E2E-X□M□L30-M1</td> <td>M30XP1.5</td> <td>80</td> <td>M12XP1</td> <td>65</td> <td>13¹³⁰ (15)</td> <td>10</td> <td>---</td> <td>5</td> <td>42</td> <td>36</td> </tr> </tbody> </table>	Model	A	B	C	D	E	F ^{*1}	G ^{*2}	H	I	J	E2E(Q)-X□30 X□8-M3/M5	M8XP1	39	M8XP1	26	---	10 (8)	4	3	15	13	E2E(Q)-X□8-M1	M8XP1	43	M12XP1	26	---	10 (8)	4	3	15	13	E2E(Q)-X□12-M1	M12XP1	48	M12XP1	33	---	12 (10)	4	4	21	17	E2E(Q)-X□18-M1	M18XP1	53	M12XP1	38	---	12 (10)	4	4	29	24	E2E(Q)-X□30-M1	M30XP1.5	58	M12XP1	43	---	12 (10)	4	5	42	36	E2E-X□L8-M3/M5	M8XP1	49	M8XP1	36	---	8	---	3	15	13	E2E-X□L8-M1	M8XP1	53	M12XP1	36	---	8	---	3	15	13	E2E-X□L12-M1	M12XP1	70	M12XP1	55	---	10	---	4	21	17	E2E-X□L18-M1	M18XP1	75	M12XP1	60	---	10	---	4	29	24	E2E-X□L30-M1	M30XP1.5	80	M12XP1	65	---	10	---	5	42	36	Model	A	B	C	D	E ^{*3}	F ^{*2}	G	H	I	J	E2E-X□M□8-M3/M5	M8XP1	39	M8XP1	26	6	8	---	3	15	13	E2E-X□M□8-M1	M8XP1	43	M12XP1	26	6	8	---	3	15	13	E2E-X□M□12-M1	M12XP1	48	M12XP1	26	7	10	---	4	21	17	E2E-X□M□18-M1	M18XP1	53	M12XP1	38	10	10	---	4	29	24	E2E-X□M□30-M1	M30XP1.5	58	M12XP1	43	13	10	---	5	42	36	E2E-X□M□L8-M3-M5	M8XP1	49	M8XP1	36	6	8	---	3	15	13	E2E-X□M□L8-M1	M8XP1	53	M12XP1	36	6	8	---	3	15	13	E2E-X□M□L12-M1	M12XP1	70	M12XP1	55	7	10	---	4	21	17	E2EX□M□L18-M1	M18XP1	75	M12XP1	60	10	10	---	4	29	24	E2E-X□M□L30-M1	M30XP1.5	80	M12XP1	65	13 ¹³⁰ (15)	10	---	5	42	36
Model	A	B	C	D	E	F ^{*1}	G ^{*2}	H	I	J																																																																																																																																																																																																																																									
E2E(Q)-X□30 X□8-M3/M5	M8XP1	39	M8XP1	26	---	10 (8)	4	3	15	13																																																																																																																																																																																																																																									
E2E(Q)-X□8-M1	M8XP1	43	M12XP1	26	---	10 (8)	4	3	15	13																																																																																																																																																																																																																																									
E2E(Q)-X□12-M1	M12XP1	48	M12XP1	33	---	12 (10)	4	4	21	17																																																																																																																																																																																																																																									
E2E(Q)-X□18-M1	M18XP1	53	M12XP1	38	---	12 (10)	4	4	29	24																																																																																																																																																																																																																																									
E2E(Q)-X□30-M1	M30XP1.5	58	M12XP1	43	---	12 (10)	4	5	42	36																																																																																																																																																																																																																																									
E2E-X□L8-M3/M5	M8XP1	49	M8XP1	36	---	8	---	3	15	13																																																																																																																																																																																																																																									
E2E-X□L8-M1	M8XP1	53	M12XP1	36	---	8	---	3	15	13																																																																																																																																																																																																																																									
E2E-X□L12-M1	M12XP1	70	M12XP1	55	---	10	---	4	21	17																																																																																																																																																																																																																																									
E2E-X□L18-M1	M18XP1	75	M12XP1	60	---	10	---	4	29	24																																																																																																																																																																																																																																									
E2E-X□L30-M1	M30XP1.5	80	M12XP1	65	---	10	---	5	42	36																																																																																																																																																																																																																																									
Model	A	B	C	D	E ^{*3}	F ^{*2}	G	H	I	J																																																																																																																																																																																																																																									
E2E-X□M□8-M3/M5	M8XP1	39	M8XP1	26	6	8	---	3	15	13																																																																																																																																																																																																																																									
E2E-X□M□8-M1	M8XP1	43	M12XP1	26	6	8	---	3	15	13																																																																																																																																																																																																																																									
E2E-X□M□12-M1	M12XP1	48	M12XP1	26	7	10	---	4	21	17																																																																																																																																																																																																																																									
E2E-X□M□18-M1	M18XP1	53	M12XP1	38	10	10	---	4	29	24																																																																																																																																																																																																																																									
E2E-X□M□30-M1	M30XP1.5	58	M12XP1	43	13	10	---	5	42	36																																																																																																																																																																																																																																									
E2E-X□M□L8-M3-M5	M8XP1	49	M8XP1	36	6	8	---	3	15	13																																																																																																																																																																																																																																									
E2E-X□M□L8-M1	M8XP1	53	M12XP1	36	6	8	---	3	15	13																																																																																																																																																																																																																																									
E2E-X□M□L12-M1	M12XP1	70	M12XP1	55	7	10	---	4	21	17																																																																																																																																																																																																																																									
E2EX□M□L18-M1	M18XP1	75	M12XP1	60	10	10	---	4	29	24																																																																																																																																																																																																																																									
E2E-X□M□L30-M1	M30XP1.5	80	M12XP1	65	13 ¹³⁰ (15)	10	---	5	42	36																																																																																																																																																																																																																																									
<p>M12 connector type with M12 size connector (Shielded) E2E-X2E*-M1/E2E-X2F*-M1</p> <p>* D1 Models: Operation indicator (red), Setting indicator (green) D2/E/F Models: Operation indicator (red)</p>	<p>Note.1: E2E-Next series has one toothed washer.</p> <p>Note.2: E2E(Q) means E2EQ series and E2EQ series is for welding process type and has the threaded body and sensing head covered with the fluorine resin for spatter resistance.</p>																																																																																																																																																																																																																																																		
<p>M18 connector type with M12 size connector (Shielded) E2E-X5E*-M1/E2E-X5F*-M1</p> <p>* D1 Models: Operation indicator (red), Setting indicator (green) D2/E/Y Models: Operation indicator (red)</p>																																																																																																																																																																																																																																																			

Product discontinuation Model E2E/E2E2/E2EM DC 3w series	Recommendable replacement Model E2E-Next series
<p>M30 connector type with M12 size connector (Shielded) E2E-X10E*-M1/E2E-X10F*-M1</p>  <p>* D1 Models: Operation indicator (red), Setting indicator (green) D2/E/Y Models: Operation indicator (red)</p>	<p>Note.3: Fixing Nut set is as same as E2E series.</p>

[Dimensions]

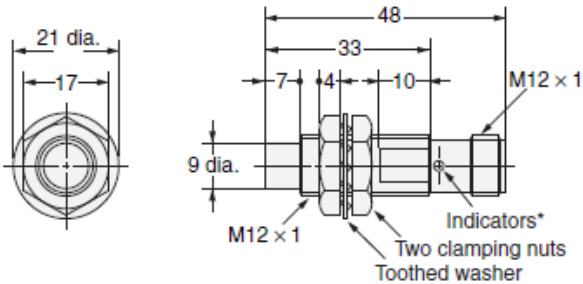
Product discontinuation Model E2E/E2E2/E2EM DC 3w series	Recommendable replacement Model E2E-Next series
<p>M8 connector type with M8 size connector (Non-shielded) E2E-X2ME*-M3/E2E-X2MF*-M3</p>  <p>* D Models: Operation indicator (red), Setting indicator (green) D2/E/F Models: Operation indicator (red)</p>	 <p>Indicators Standard I/O mode (SIO mode): Operation indicator (orange/ON), communication indicator (green/OFF) IO-Link Communication mode (COM mode): Operation indicator (orange/ON), communication indicator (green/Flashing (1sec cycle))</p> <p>Model E2E(Q)-X□8-M1; Shape of connection.</p>
<p>M8 connector type with M12 size connector (Non-shielded) E2E-X2ME*-M1/E2E-X2MF*-M1</p>	

Product discontinuation
Model E2E/E2E2/E2EM DC 3w series



* D1 Models: Operation indicator (red),
 Setting indicator (green)
 D2/E/F Models: Operation indicator (red)

M12 connector type with M12 size connector
(Non-shielded)
E2E-X5ME*-M1/E2E-X5MF*-M1



* D1 Models: Operation indicator (red), Setting indicator (green)
 D2/E/F Models: Operation indicator (red)

Recommendable replacement
Model E2E-Next series

Shielded

Model	A	B	C	D	E	F ^{*1}	G ^{*2}	H	I	J
E2E(Q)-X□30 X□8-M3/M5	M8XP1	39	M8XP1	26	---	10 (8)	4	3	15	13
E2E(Q)-X□8-M1	M8XP1	43	M12XP1	26	---	10 (8)	4	3	15	13
E2E(Q)-X□12-M1	M12XP1	48	M12XP1	33	---	12 (10)	4	4	21	17
E2E(Q)-X□18-M1	M18XP1	53	M12XP1	38	---	12 (10)	4	4	29	24
E2E(Q)-X□30-M1	M30XP1.5	58	M12XP1	43	---	12 (10)	4	5	42	36
E2E-X□L8-M3/M5	M8XP1	49	M8XP1	36	---	8	---	3	15	13
E2E-X□L8-M1	M8XP1	53	M12XP1	36	---	8	---	3	15	13
E2E-X□L12-M1	M12XP1	70	M12XP1	55	---	10	---	4	21	17
E2E-X□L18-M1	M18XP1	75	M12XP1	60	---	10	---	4	29	24
E2E-X□L30-M1	M30XP1.5	80	M12XP1	65	---	10	---	5	42	36

Unshielded

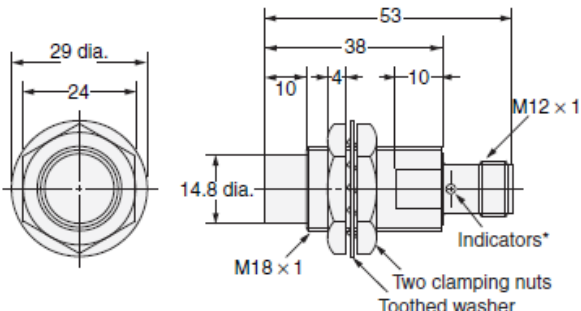
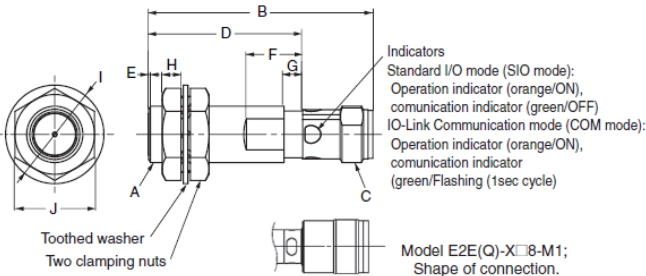
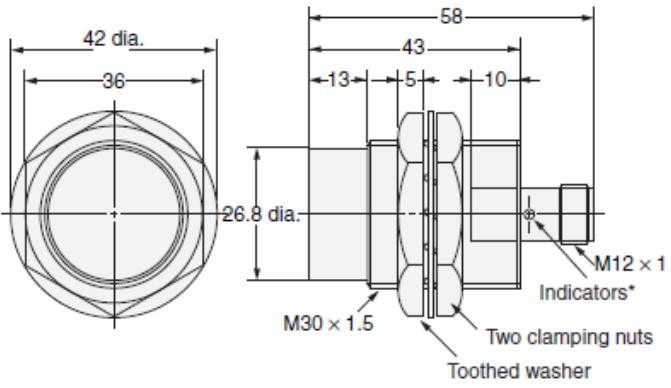
Model	A	B	C	D	E ^{*3}	F	G ^{*2}	H	I	J
E2E-X□M□8-M3/M5	M8XP1	39	M8XP1	26	6	8	---	3	15	13
E2E-X□M□8-M1	M8XP1	43	M12XP1	26	6	8	---	3	15	13
E2E-X□M□12-M1	M12XP1	48	M12XP1	26	7	10	---	4	21	17
E2E-X□M□18-M1	M18XP1	53	M12XP1	38	10	10	---	4	29	24
E2E-X□M□30-M1	M30XP1.5	58	M12XP1	43	13	10	---	5	42	36
E2E-X□M□L8-M3-M5	M8XP1	49	M8XP1	36	6	8	---	3	15	13
E2E-X□M□L8-M1	M8XP1	53	M12XP1	36	6	8	---	3	15	13
E2E-X□M□L12-M1	M12XP1	70	M12XP1	55	7	10	---	4	21	17
E2EX□M□L18-M1	M18XP1	75	M12XP1	60	10	10	---	4	29	24
E2E-X□M□L30-M1	M30XP1.5	80	M12XP1	65	¹³⁰ (15)	10	---	5	42	36

Note.1: E2E-Next series has one toothed washer.

Note.2: E2E(Q) means E2EQ series and E2EQ series is for welding process type and has the threaded body and sensing head covered with the fluorine resin for spatter resistance.

Note.3: Fixing Nut set is as same as E2E series.

[Dimensions]

Product discontinuation Model E2E/E2E2/E2EM DC 3w series	Recommendable replacement Model E2E-Next series																																																																																																																																																																																																																																																	
<p>M18 connector type with M12 size connector (Non-shielded) E2E-X10ME*-M1/E2E-X10MF*-M1</p>  <p>* D1 Models: Operation indicator (red), Setting indicator (green) D2/E/Y Models: Operation indicator (red)</p>																																																																																																																																																																																																																																																		
<p>M30 connector type with M12 size connector (Non-shielded) E2E-X18ME*-M1/E2E-X18MF*-M1</p>  <p>* D1 Models: Operation indicator (red), Setting indicator (green) D2/E/Y Models: Operation indicator (red)</p>	<p>Shielded</p> <table border="1" data-bbox="868 609 1502 1039"> <thead> <tr> <th>Model</th> <th>A</th> <th>B</th> <th>C</th> <th>D</th> <th>E</th> <th>F^{*1}</th> <th>G^{*2}</th> <th>H</th> <th>I</th> <th>J</th> </tr> </thead> <tbody> <tr> <td>E2E(Q)-X□30 X□8-M3/M5</td> <td>M8XP1</td> <td>39</td> <td>M8XP1</td> <td>26</td> <td>---</td> <td>10 (8)</td> <td>4</td> <td>3</td> <td>15</td> <td>13</td> </tr> <tr> <td>E2E(Q)-X□8-M1</td> <td>M8XP1</td> <td>43</td> <td>M12XP1</td> <td>26</td> <td>---</td> <td>10 (8)</td> <td>4</td> <td>3</td> <td>15</td> <td>13</td> </tr> <tr> <td>E2E(Q)-X□12-M1</td> <td>M12XP1</td> <td>48</td> <td>M12XP1</td> <td>33</td> <td>---</td> <td>12 (10)</td> <td>4</td> <td>4</td> <td>21</td> <td>17</td> </tr> <tr> <td>E2E(Q)-X□18-M1</td> <td>M18XP1</td> <td>53</td> <td>M12XP1</td> <td>38</td> <td>---</td> <td>12 (10)</td> <td>4</td> <td>4</td> <td>29</td> <td>24</td> </tr> <tr> <td>E2E(Q)-X□30-M1</td> <td>M30XP1.5</td> <td>58</td> <td>M12XP1</td> <td>43</td> <td>---</td> <td>12 (10)</td> <td>4</td> <td>5</td> <td>42</td> <td>36</td> </tr> <tr> <td>E2E-X□L8-M3/M5</td> <td>M8XP1</td> <td>49</td> <td>M8XP1</td> <td>36</td> <td>---</td> <td>8</td> <td>---</td> <td>3</td> <td>15</td> <td>13</td> </tr> <tr> <td>E2E-X□L8-M1</td> <td>M8XP1</td> <td>53</td> <td>M12XP1</td> <td>36</td> <td>---</td> <td>8</td> <td>---</td> <td>3</td> <td>15</td> <td>13</td> </tr> <tr> <td>E2E-X□L12-M1</td> <td>M12XP1</td> <td>70</td> <td>M12XP1</td> <td>55</td> <td>---</td> <td>10</td> <td>---</td> <td>4</td> <td>21</td> <td>17</td> </tr> <tr> <td>E2E-X□L18-M1</td> <td>M18XP1</td> <td>75</td> <td>M12XP1</td> <td>60</td> <td>---</td> <td>10</td> <td>---</td> <td>4</td> <td>29</td> <td>24</td> </tr> <tr> <td>E2E-X□L30-M1</td> <td>M30XP1.5</td> <td>80</td> <td>M12XP1</td> <td>65</td> <td>---</td> <td>10</td> <td>---</td> <td>5</td> <td>42</td> <td>36</td> </tr> </tbody> </table> <p>Unshielded</p> <table border="1" data-bbox="868 1071 1502 1417"> <thead> <tr> <th>Model</th> <th>A</th> <th>B</th> <th>C</th> <th>D</th> <th>E^{*3}</th> <th>F^{*2}</th> <th>H</th> <th>I</th> <th>J</th> </tr> </thead> <tbody> <tr> <td>E2E-X□M□8-M3/M5</td> <td>M8XP1</td> <td>39</td> <td>M8XP1</td> <td>26</td> <td>6</td> <td>8</td> <td>---</td> <td>3</td> <td>15</td> <td>13</td> </tr> <tr> <td>E2E-X□M□8-M1</td> <td>M8XP1</td> <td>43</td> <td>M12XP1</td> <td>26</td> <td>6</td> <td>8</td> <td>---</td> <td>3</td> <td>15</td> <td>13</td> </tr> <tr> <td>E2E-X□M□12-M1</td> <td>M12XP1</td> <td>48</td> <td>M12XP1</td> <td>26</td> <td>7</td> <td>10</td> <td>---</td> <td>4</td> <td>21</td> <td>17</td> </tr> <tr> <td>E2E-X□M□18-M1</td> <td>M18XP1</td> <td>53</td> <td>M12XP1</td> <td>38</td> <td>10</td> <td>10</td> <td>---</td> <td>4</td> <td>29</td> <td>24</td> </tr> <tr> <td>E2E-X□M□30-M1</td> <td>M30XP1.5</td> <td>58</td> <td>M12XP1</td> <td>43</td> <td>13</td> <td>10</td> <td>---</td> <td>5</td> <td>42</td> <td>36</td> </tr> <tr> <td>E2E-X□M□L8-M3-M5</td> <td>M8XP1</td> <td>49</td> <td>M8XP1</td> <td>36</td> <td>6</td> <td>8</td> <td>---</td> <td>3</td> <td>15</td> <td>13</td> </tr> <tr> <td>E2E-X□M□L8-M1</td> <td>M8XP1</td> <td>53</td> <td>M12XP1</td> <td>36</td> <td>6</td> <td>8</td> <td>---</td> <td>3</td> <td>15</td> <td>13</td> </tr> <tr> <td>E2E-X□M□L12-M1</td> <td>M12XP1</td> <td>70</td> <td>M12XP1</td> <td>55</td> <td>7</td> <td>10</td> <td>---</td> <td>4</td> <td>21</td> <td>17</td> </tr> <tr> <td>E2EX□M□L18-M1</td> <td>M18XP1</td> <td>75</td> <td>M12XP1</td> <td>60</td> <td>10</td> <td>10</td> <td>---</td> <td>4</td> <td>29</td> <td>24</td> </tr> <tr> <td>E2E-X□M□L30-M1</td> <td>M30XP1.5</td> <td>80</td> <td>M12XP1</td> <td>65</td> <td>13¹⁰ (15)</td> <td>10</td> <td>---</td> <td>5</td> <td>42</td> <td>36</td> </tr> </tbody> </table> <p>Note.1: E2E-Next series has one toothed washer.</p> <p>Note.2: E2E(Q) means E2EQ series and E2EQ series is for welding process type and has the threaded body and sensing head covered with the fluorine resin for spatter resistance.</p> <p>Note.3: Fixing Nut set is as same as E2E series.</p>	Model	A	B	C	D	E	F ^{*1}	G ^{*2}	H	I	J	E2E(Q)-X□30 X□8-M3/M5	M8XP1	39	M8XP1	26	---	10 (8)	4	3	15	13	E2E(Q)-X□8-M1	M8XP1	43	M12XP1	26	---	10 (8)	4	3	15	13	E2E(Q)-X□12-M1	M12XP1	48	M12XP1	33	---	12 (10)	4	4	21	17	E2E(Q)-X□18-M1	M18XP1	53	M12XP1	38	---	12 (10)	4	4	29	24	E2E(Q)-X□30-M1	M30XP1.5	58	M12XP1	43	---	12 (10)	4	5	42	36	E2E-X□L8-M3/M5	M8XP1	49	M8XP1	36	---	8	---	3	15	13	E2E-X□L8-M1	M8XP1	53	M12XP1	36	---	8	---	3	15	13	E2E-X□L12-M1	M12XP1	70	M12XP1	55	---	10	---	4	21	17	E2E-X□L18-M1	M18XP1	75	M12XP1	60	---	10	---	4	29	24	E2E-X□L30-M1	M30XP1.5	80	M12XP1	65	---	10	---	5	42	36	Model	A	B	C	D	E ^{*3}	F ^{*2}	H	I	J	E2E-X□M□8-M3/M5	M8XP1	39	M8XP1	26	6	8	---	3	15	13	E2E-X□M□8-M1	M8XP1	43	M12XP1	26	6	8	---	3	15	13	E2E-X□M□12-M1	M12XP1	48	M12XP1	26	7	10	---	4	21	17	E2E-X□M□18-M1	M18XP1	53	M12XP1	38	10	10	---	4	29	24	E2E-X□M□30-M1	M30XP1.5	58	M12XP1	43	13	10	---	5	42	36	E2E-X□M□L8-M3-M5	M8XP1	49	M8XP1	36	6	8	---	3	15	13	E2E-X□M□L8-M1	M8XP1	53	M12XP1	36	6	8	---	3	15	13	E2E-X□M□L12-M1	M12XP1	70	M12XP1	55	7	10	---	4	21	17	E2EX□M□L18-M1	M18XP1	75	M12XP1	60	10	10	---	4	29	24	E2E-X□M□L30-M1	M30XP1.5	80	M12XP1	65	13 ¹⁰ (15)	10	---	5	42	36
Model	A	B	C	D	E	F ^{*1}	G ^{*2}	H	I	J																																																																																																																																																																																																																																								
E2E(Q)-X□30 X□8-M3/M5	M8XP1	39	M8XP1	26	---	10 (8)	4	3	15	13																																																																																																																																																																																																																																								
E2E(Q)-X□8-M1	M8XP1	43	M12XP1	26	---	10 (8)	4	3	15	13																																																																																																																																																																																																																																								
E2E(Q)-X□12-M1	M12XP1	48	M12XP1	33	---	12 (10)	4	4	21	17																																																																																																																																																																																																																																								
E2E(Q)-X□18-M1	M18XP1	53	M12XP1	38	---	12 (10)	4	4	29	24																																																																																																																																																																																																																																								
E2E(Q)-X□30-M1	M30XP1.5	58	M12XP1	43	---	12 (10)	4	5	42	36																																																																																																																																																																																																																																								
E2E-X□L8-M3/M5	M8XP1	49	M8XP1	36	---	8	---	3	15	13																																																																																																																																																																																																																																								
E2E-X□L8-M1	M8XP1	53	M12XP1	36	---	8	---	3	15	13																																																																																																																																																																																																																																								
E2E-X□L12-M1	M12XP1	70	M12XP1	55	---	10	---	4	21	17																																																																																																																																																																																																																																								
E2E-X□L18-M1	M18XP1	75	M12XP1	60	---	10	---	4	29	24																																																																																																																																																																																																																																								
E2E-X□L30-M1	M30XP1.5	80	M12XP1	65	---	10	---	5	42	36																																																																																																																																																																																																																																								
Model	A	B	C	D	E ^{*3}	F ^{*2}	H	I	J																																																																																																																																																																																																																																									
E2E-X□M□8-M3/M5	M8XP1	39	M8XP1	26	6	8	---	3	15	13																																																																																																																																																																																																																																								
E2E-X□M□8-M1	M8XP1	43	M12XP1	26	6	8	---	3	15	13																																																																																																																																																																																																																																								
E2E-X□M□12-M1	M12XP1	48	M12XP1	26	7	10	---	4	21	17																																																																																																																																																																																																																																								
E2E-X□M□18-M1	M18XP1	53	M12XP1	38	10	10	---	4	29	24																																																																																																																																																																																																																																								
E2E-X□M□30-M1	M30XP1.5	58	M12XP1	43	13	10	---	5	42	36																																																																																																																																																																																																																																								
E2E-X□M□L8-M3-M5	M8XP1	49	M8XP1	36	6	8	---	3	15	13																																																																																																																																																																																																																																								
E2E-X□M□L8-M1	M8XP1	53	M12XP1	36	6	8	---	3	15	13																																																																																																																																																																																																																																								
E2E-X□M□L12-M1	M12XP1	70	M12XP1	55	7	10	---	4	21	17																																																																																																																																																																																																																																								
E2EX□M□L18-M1	M18XP1	75	M12XP1	60	10	10	---	4	29	24																																																																																																																																																																																																																																								
E2E-X□M□L30-M1	M30XP1.5	80	M12XP1	65	13 ¹⁰ (15)	10	---	5	42	36																																																																																																																																																																																																																																								

[Dimensions]

Product discontinuation Model E2E/E2E2/E2EM DC 3w series	Recommendable replacement Model E2E-Next series																																																																																																																																																																																											
<p>M12 Shielded type E2E2-X2C*</p> <p>*1. 4-dia. vinyl-insulated round cable with 2 conductors (Conductor cross section: 0.3 mm², Insulator diameter: 1.3 mm), Standard length: 2 m 4-dia. vinyl-insulated round cable with 3 conductors (Conductor cross section: 0.3 mm², Insulator diameter: 1.3 mm), Standard length: 2 m The cable can be extended to up to 200 m (Separate metal conduit.) *2. D Models: Operation indicator (red) and setting indicator (green), C/Y Models: Operation indicator (red)</p>	<p>Pre-wired Models of E2E-Next series (dimension table).</p> <p>Pre-wired Models (Operation mode: NO, NC Type)</p> <p>Vinyl-insulated round cable with 3 conductors M8, M12 size: 4-dia. M18, M30 size: 6-dia. (Conductor cross section: 0.2 mm² (AWG24), Insulator diameter: 1.05 mm), Standard length: 2 m (Operation mode: NO+NC Type)</p> <p>Vinyl-insulated round cable with 4 conductors M12 size: 4.3-dia. M18/M30 size: 6-dia. (Conductor cross section: 0.2 mm² (AWG24), Insulator diameter: 1.05 mm), Standard length: 2 m</p> <p>Pre-wired Connector Models (M1TJ) (Operation mode: NO, NC Type)</p> <p>Vinyl-insulated round cable with 3 conductors M8, M12 size: 4-dia. M18, M30 size: 6-dia. (Conductor cross section: 0.2 mm² (AWG24), Insulator diameter: 1.05 mm), Standard length: 0.3 m (Operation mode: NO+NC Type)</p> <p>Vinyl-insulated round cable with 4 conductors M12 size: 4.3-dia. M18, M30 size: 6-dia. (Conductor cross section: 0.2 mm² (AWG24), Insulator diameter: 1.05 mm), Standard length: 0.3 m</p>																																																																																																																																																																																											
<p>M18 Shielded type E2E2-X5C*</p> <p>*1. 6-dia. vinyl-insulated round cable with 2 conductors (Conductor cross section: 0.5 mm², Insulator diameter: 1.9 mm), Standard length: 2 m 6-dia. vinyl-insulated round cable with 3 conductors (Conductor cross section: 0.5 mm², Insulator diameter: 1.9 mm), Standard length: 2 m The cable can be extended to up to 200 m (Separate metal conduit.) *2. D Models: Operation indicator (red) and setting indicator (green), C/Y Models: Operation indicator (red)</p>	<p>Shielded</p> <table border="1"> <thead> <tr> <th>Model</th> <th>A</th> <th>B</th> <th>C</th> <th>D</th> <th>E</th> <th>F</th> <th>G*</th> <th>H</th> <th>I</th> <th>J</th> </tr> </thead> <tbody> <tr> <td>E2E(Q)-X□D8</td> <td>M8XP1</td> <td>37.8</td> <td>4.4</td> <td>26</td> <td>1</td> <td>10</td> <td>4</td> <td>4</td> <td>15</td> <td>13</td> </tr> <tr> <td>E2E(Q)-X□D12</td> <td>M12XP1</td> <td>47.1</td> <td>3.7</td> <td>33</td> <td>1</td> <td>12</td> <td>4</td> <td>5.5</td> <td>21</td> <td>17</td> </tr> <tr> <td>E2E(Q)-X□D18</td> <td>M18XP1</td> <td>55.3</td> <td>8.5</td> <td>38</td> <td>1</td> <td>12</td> <td>4</td> <td>6</td> <td>29</td> <td>24</td> </tr> <tr> <td>E2E(Q)-X□D30</td> <td>M30XP1.5</td> <td>60.3</td> <td>8.3</td> <td>43</td> <td>1</td> <td>12</td> <td>4</td> <td>7</td> <td>42</td> <td>36</td> </tr> <tr> <td>E2E-X□L8</td> <td>M8XP1</td> <td>47.8</td> <td>4.4</td> <td>36</td> <td>1</td> <td>10</td> <td>---</td> <td>4</td> <td>15</td> <td>13</td> </tr> <tr> <td>E2E-X□L12</td> <td>M12XP1</td> <td>69.1</td> <td>3.7</td> <td>55</td> <td>1</td> <td>12</td> <td>---</td> <td>5.5</td> <td>21</td> <td>17</td> </tr> <tr> <td>E2E-X□L18</td> <td>M18XP1</td> <td>77.3</td> <td>8.5</td> <td>60</td> <td>1</td> <td>12</td> <td>---</td> <td>6</td> <td>29</td> <td>24</td> </tr> <tr> <td>E2E-X□L30</td> <td>M30XP1.5</td> <td>82.3</td> <td>8.3</td> <td>65</td> <td>1</td> <td>12</td> <td>---</td> <td>7</td> <td>42</td> <td>36</td> </tr> </tbody> </table> <p>Unshielded</p> <table border="1"> <thead> <tr> <th>Model</th> <th>A</th> <th>B</th> <th>C</th> <th>D</th> <th>E</th> <th>F</th> <th>G*</th> <th>H</th> <th>I</th> <th>J</th> </tr> </thead> <tbody> <tr> <td>E2E-X□M□D8</td> <td>M8XP1</td> <td>37.8</td> <td>4.4</td> <td>26</td> <td>6</td> <td>8</td> <td>---</td> <td>3</td> <td>15</td> <td>13</td> </tr> <tr> <td>E2E-X□M□D12</td> <td>M12XP1</td> <td>47.1</td> <td>3.7</td> <td>33</td> <td>7</td> <td>10</td> <td>---</td> <td>4</td> <td>21</td> <td>17</td> </tr> <tr> <td>E2E-X□M□L8</td> <td>M8XP1</td> <td>47.8</td> <td>4.4</td> <td>36</td> <td>6</td> <td>8</td> <td>---</td> <td>3</td> <td>15</td> <td>13</td> </tr> <tr> <td>E2E-X□M□L12</td> <td>M12XP1</td> <td>69.1</td> <td>3.7</td> <td>55</td> <td>7</td> <td>10</td> <td>---</td> <td>4</td> <td>21</td> <td>17</td> </tr> <tr> <td>E2E-X□M□L18</td> <td>M18XP1</td> <td>77.3</td> <td>8.5</td> <td>60</td> <td>13</td> <td>12</td> <td>---</td> <td>4</td> <td>29</td> <td>24</td> </tr> <tr> <td>E2E-S□S12□</td> <td>M30XP1.5</td> <td>82.3</td> <td>8.3</td> <td>65</td> <td>15</td> <td>10</td> <td>---</td> <td>5</td> <td>42</td> <td>36</td> </tr> <tr> <td>E2E-S□S12□</td> <td>M30X1.5</td> <td>97.3</td> <td>8.3</td> <td>80</td> <td>15</td> <td>12</td> <td>---</td> <td>5</td> <td>42</td> <td>36</td> </tr> </tbody> </table>	Model	A	B	C	D	E	F	G*	H	I	J	E2E(Q)-X□D8	M8XP1	37.8	4.4	26	1	10	4	4	15	13	E2E(Q)-X□D12	M12XP1	47.1	3.7	33	1	12	4	5.5	21	17	E2E(Q)-X□D18	M18XP1	55.3	8.5	38	1	12	4	6	29	24	E2E(Q)-X□D30	M30XP1.5	60.3	8.3	43	1	12	4	7	42	36	E2E-X□L8	M8XP1	47.8	4.4	36	1	10	---	4	15	13	E2E-X□L12	M12XP1	69.1	3.7	55	1	12	---	5.5	21	17	E2E-X□L18	M18XP1	77.3	8.5	60	1	12	---	6	29	24	E2E-X□L30	M30XP1.5	82.3	8.3	65	1	12	---	7	42	36	Model	A	B	C	D	E	F	G*	H	I	J	E2E-X□M□D8	M8XP1	37.8	4.4	26	6	8	---	3	15	13	E2E-X□M□D12	M12XP1	47.1	3.7	33	7	10	---	4	21	17	E2E-X□M□L8	M8XP1	47.8	4.4	36	6	8	---	3	15	13	E2E-X□M□L12	M12XP1	69.1	3.7	55	7	10	---	4	21	17	E2E-X□M□L18	M18XP1	77.3	8.5	60	13	12	---	4	29	24	E2E-S□S12□	M30XP1.5	82.3	8.3	65	15	10	---	5	42	36	E2E-S□S12□	M30X1.5	97.3	8.3	80	15	12	---	5	42	36
Model	A	B	C	D	E	F	G*	H	I	J																																																																																																																																																																																		
E2E(Q)-X□D8	M8XP1	37.8	4.4	26	1	10	4	4	15	13																																																																																																																																																																																		
E2E(Q)-X□D12	M12XP1	47.1	3.7	33	1	12	4	5.5	21	17																																																																																																																																																																																		
E2E(Q)-X□D18	M18XP1	55.3	8.5	38	1	12	4	6	29	24																																																																																																																																																																																		
E2E(Q)-X□D30	M30XP1.5	60.3	8.3	43	1	12	4	7	42	36																																																																																																																																																																																		
E2E-X□L8	M8XP1	47.8	4.4	36	1	10	---	4	15	13																																																																																																																																																																																		
E2E-X□L12	M12XP1	69.1	3.7	55	1	12	---	5.5	21	17																																																																																																																																																																																		
E2E-X□L18	M18XP1	77.3	8.5	60	1	12	---	6	29	24																																																																																																																																																																																		
E2E-X□L30	M30XP1.5	82.3	8.3	65	1	12	---	7	42	36																																																																																																																																																																																		
Model	A	B	C	D	E	F	G*	H	I	J																																																																																																																																																																																		
E2E-X□M□D8	M8XP1	37.8	4.4	26	6	8	---	3	15	13																																																																																																																																																																																		
E2E-X□M□D12	M12XP1	47.1	3.7	33	7	10	---	4	21	17																																																																																																																																																																																		
E2E-X□M□L8	M8XP1	47.8	4.4	36	6	8	---	3	15	13																																																																																																																																																																																		
E2E-X□M□L12	M12XP1	69.1	3.7	55	7	10	---	4	21	17																																																																																																																																																																																		
E2E-X□M□L18	M18XP1	77.3	8.5	60	13	12	---	4	29	24																																																																																																																																																																																		
E2E-S□S12□	M30XP1.5	82.3	8.3	65	15	10	---	5	42	36																																																																																																																																																																																		
E2E-S□S12□	M30X1.5	97.3	8.3	80	15	12	---	5	42	36																																																																																																																																																																																		
<p>M30 Shielded type E2E2-X10C*</p> <p>*1. 6-dia. vinyl-insulated round cable with 2 conductors (Conductor cross section: 0.5 mm², Insulator diameter: 1.9 mm), Standard length: 2 m 6-dia. vinyl-insulated round cable with 3 conductors (Conductor cross section: 0.5 mm², Insulator diameter: 1.9 mm), Standard length: 2 m The cable can be extended to up to 200 m (Separate metal conduit.) *2. D Models: Operation indicator (red) and setting indicator (green), C/Y Models: Operation indicator (red)</p>	<p>Note.1: E2E-Next series has one toothed washer.</p> <p>Note.2: E2E(Q) means E2EQ series and E2EQ series is for welding process type and has the threaded body and sensing head covered with the fluorine resin for spatter resistance.</p> <p>Note.3: Fixing Nut set is as same as E2E2 series.</p>																																																																																																																																																																																											

[Dimensions]

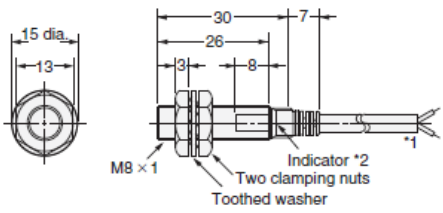
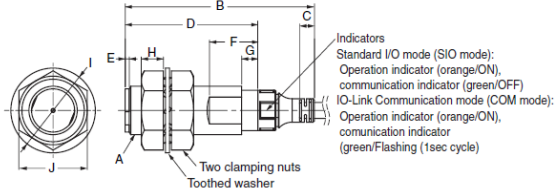
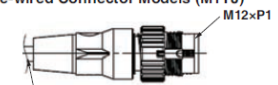
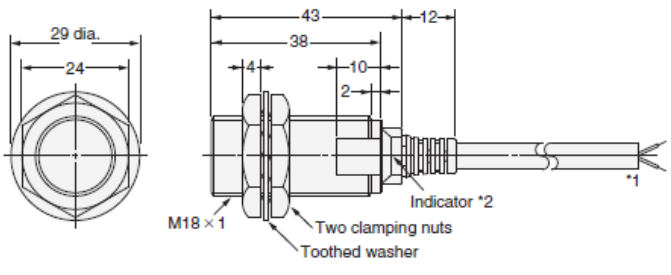
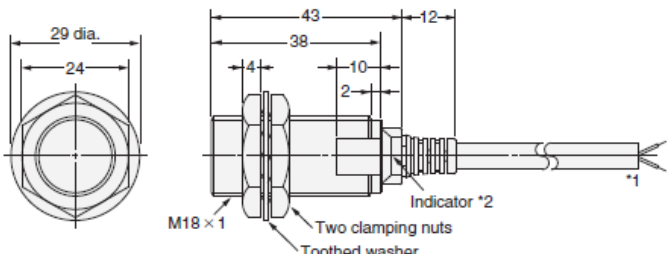
Product discontinuation Model E2E/E2E2/E2EM DC 3w series	Recommendable replacement Model E2E-Next series																																																																																																			
<p>M12 Unshielded type E2E2-X5MC*</p> <p>*1. 4-dia. vinyl-insulated round cable with 2 conductors (Conductor cross section: 0.3 mm², Insulator diameter: 1.3 mm), Standard length: 2 m 4-dia. vinyl-insulated round cable with 3 conductors (Conductor cross section: 0.3 mm², Insulator diameter: 1.3 mm), Standard length: 2 m The cable can be extended to up to 200 m (Separate metal conduit.) *2. D Models: Operation indicator (red) and setting indicator (green), C/Y Models: Operation indicator (red)</p>	<p>Pre-wired Models of E2E-Next series (dimension table).</p> <p>Pre-wired Models (Operation mode: NO, NC Type)</p> <p>Vinyl-insulated round cable with 3 conductors M8, M12 size: 4-dia. M18, M30 size: 6-dia. (Conductor cross section: 0.2 mm² (AWG24), Insulator diameter: 1.05 mm), Standard length: 2 m (Operation mode: NO+NC Type)</p> <p>Pre-wired Connector Models (M1TJ) M12xP1</p> <p>(Operation mode: NO, NC Type) Vinyl-insulated round cable with 3 conductors M8, M12 size: 4-dia. M18, M30 size: 6-dia. (Conductor cross section: 0.2 mm² (AWG24), Insulator diameter: 1.05 mm), Standard length: 0.3 m</p> <p>(Operation mode: NO+NC Type) Vinyl-insulated round cable with 4 conductors M12 size: 4.3-dia. M18, M30 size: 6-dia. (Conductor cross section: 0.2 mm² (AWG24), Insulator diameter: 1.05 mm), Standard length: 0.3 m</p>																																																																																																			
<p>M18 Unshielded type E2E2-X10MC*</p> <p>*1. 6-dia. vinyl-insulated round cable with 2 conductors (Conductor cross section: 0.5 mm², Insulator diameter: 1.9 mm), Standard length: 2 m 6-dia. vinyl-insulated round cable with 3 conductors (Conductor cross section: 0.5 mm², Insulator diameter: 1.9 mm), Standard length: 2 m The cable can be extended to up to 200 m (Separate metal conduit.) *2. D Models: Operation indicator (red) and setting indicator (green), C/Y Models: Operation indicator (red)</p>	<p>Shielded</p> <table border="1" style="width:100%; border-collapse: collapse; text-align: center;"> <thead> <tr> <th>Model</th> <th>A</th> <th>B</th> <th>C</th> <th>D</th> <th>E</th> <th>F</th> <th>G*</th> <th>H</th> <th>I</th> <th>J</th> </tr> </thead> <tbody> <tr> <td>E2E(Q)-X□D8</td> <td>M8XP1</td> <td>37.8</td> <td>4.4</td> <td>26</td> <td>1</td> <td>10</td> <td>4</td> <td>4</td> <td>15</td> <td>13</td> </tr> <tr> <td>E2E(Q)-X□D12</td> <td>M12XP1</td> <td>47.1</td> <td>3.7</td> <td>33</td> <td>1</td> <td>12</td> <td>4</td> <td>5.5</td> <td>21</td> <td>17</td> </tr> <tr> <td>E2E(Q)-X□D18</td> <td>M18XP1</td> <td>55.3</td> <td>8.5</td> <td>38</td> <td>1</td> <td>12</td> <td>4</td> <td>6</td> <td>29</td> <td>24</td> </tr> <tr> <td>E2E(Q)-X□D30</td> <td>M30XP1.5</td> <td>60.3</td> <td>8.3</td> <td>43</td> <td>1</td> <td>12</td> <td>4</td> <td>7</td> <td>42</td> <td>36</td> </tr> <tr> <td>E2E-X□L8</td> <td>M8XP1</td> <td>47.8</td> <td>4.4</td> <td>36</td> <td>1</td> <td>10</td> <td>---</td> <td>4</td> <td>15</td> <td>13</td> </tr> <tr> <td>E2E-X□L12</td> <td>M12XP1</td> <td>69.1</td> <td>3.7</td> <td>55</td> <td>1</td> <td>12</td> <td>---</td> <td>5.5</td> <td>21</td> <td>17</td> </tr> <tr> <td>E2E-X□L18</td> <td>M18XP1</td> <td>77.3</td> <td>8.5</td> <td>60</td> <td>1</td> <td>12</td> <td>---</td> <td>6</td> <td>29</td> <td>24</td> </tr> <tr> <td>E2E-X□L30</td> <td>M30XP1.5</td> <td>82.3</td> <td>8.3</td> <td>65</td> <td>1</td> <td>12</td> <td>---</td> <td>7</td> <td>42</td> <td>36</td> </tr> </tbody> </table>	Model	A	B	C	D	E	F	G*	H	I	J	E2E(Q)-X□D8	M8XP1	37.8	4.4	26	1	10	4	4	15	13	E2E(Q)-X□D12	M12XP1	47.1	3.7	33	1	12	4	5.5	21	17	E2E(Q)-X□D18	M18XP1	55.3	8.5	38	1	12	4	6	29	24	E2E(Q)-X□D30	M30XP1.5	60.3	8.3	43	1	12	4	7	42	36	E2E-X□L8	M8XP1	47.8	4.4	36	1	10	---	4	15	13	E2E-X□L12	M12XP1	69.1	3.7	55	1	12	---	5.5	21	17	E2E-X□L18	M18XP1	77.3	8.5	60	1	12	---	6	29	24	E2E-X□L30	M30XP1.5	82.3	8.3	65	1	12	---	7	42	36
Model	A	B	C	D	E	F	G*	H	I	J																																																																																										
E2E(Q)-X□D8	M8XP1	37.8	4.4	26	1	10	4	4	15	13																																																																																										
E2E(Q)-X□D12	M12XP1	47.1	3.7	33	1	12	4	5.5	21	17																																																																																										
E2E(Q)-X□D18	M18XP1	55.3	8.5	38	1	12	4	6	29	24																																																																																										
E2E(Q)-X□D30	M30XP1.5	60.3	8.3	43	1	12	4	7	42	36																																																																																										
E2E-X□L8	M8XP1	47.8	4.4	36	1	10	---	4	15	13																																																																																										
E2E-X□L12	M12XP1	69.1	3.7	55	1	12	---	5.5	21	17																																																																																										
E2E-X□L18	M18XP1	77.3	8.5	60	1	12	---	6	29	24																																																																																										
E2E-X□L30	M30XP1.5	82.3	8.3	65	1	12	---	7	42	36																																																																																										
<p>M30 Unshielded type E2E2-X18MC*</p> <p>*1. 6-dia. vinyl-insulated round cable with 2 conductors (Conductor cross section: 0.5 mm², Insulator diameter: 1.9 mm), Standard length: 2 m 6-dia. vinyl-insulated round cable with 3 conductors (Conductor cross section: 0.5 mm², Insulator diameter: 1.9 mm), Standard length: 2 m The cable can be extended to up to 200 m (Separate metal conduit.) *2. D Models: Operation indicator (red) and setting indicator (green), C/Y Models: Operation indicator (red)</p>	<p>Unshielded</p> <table border="1" style="width:100%; border-collapse: collapse; text-align: center;"> <thead> <tr> <th>Model</th> <th>A</th> <th>B</th> <th>C</th> <th>D</th> <th>E</th> <th>F</th> <th>G*</th> <th>H</th> <th>I</th> <th>J</th> </tr> </thead> <tbody> <tr> <td>E2E-X□M□D8</td> <td>M8XP1</td> <td>37.8</td> <td>4.4</td> <td>26</td> <td>6</td> <td>8</td> <td>---</td> <td>3</td> <td>15</td> <td>13</td> </tr> <tr> <td>E2E-X□M□D12</td> <td>M12XP1</td> <td>47.1</td> <td>3.7</td> <td>33</td> <td>7</td> <td>10</td> <td>---</td> <td>4</td> <td>21</td> <td>17</td> </tr> <tr> <td>E2E-X□M□L8</td> <td>M8XP1</td> <td>47.8</td> <td>4.4</td> <td>36</td> <td>6</td> <td>8</td> <td>---</td> <td>3</td> <td>15</td> <td>13</td> </tr> <tr> <td>E2E-X□M□L12</td> <td>M12XP1</td> <td>69.1</td> <td>3.7</td> <td>55</td> <td>7</td> <td>10</td> <td>---</td> <td>4</td> <td>21</td> <td>17</td> </tr> <tr> <td>E2E-X□M□L18</td> <td>M18XP1</td> <td>77.3</td> <td>8.5</td> <td>60</td> <td>13</td> <td>12</td> <td>---</td> <td>4</td> <td>29</td> <td>24</td> </tr> <tr> <td>E2E-S□S12□</td> <td>M30XP1.5</td> <td>82.3</td> <td>8.3</td> <td>65</td> <td>15</td> <td>10</td> <td>---</td> <td>5</td> <td>42</td> <td>36</td> </tr> <tr> <td>E2E-S□S18□</td> <td>M30X1.5</td> <td>97.3</td> <td>8.3</td> <td>80</td> <td>15</td> <td>12</td> <td>---</td> <td>5</td> <td>42</td> <td>36</td> </tr> </tbody> </table>	Model	A	B	C	D	E	F	G*	H	I	J	E2E-X□M□D8	M8XP1	37.8	4.4	26	6	8	---	3	15	13	E2E-X□M□D12	M12XP1	47.1	3.7	33	7	10	---	4	21	17	E2E-X□M□L8	M8XP1	47.8	4.4	36	6	8	---	3	15	13	E2E-X□M□L12	M12XP1	69.1	3.7	55	7	10	---	4	21	17	E2E-X□M□L18	M18XP1	77.3	8.5	60	13	12	---	4	29	24	E2E-S□S12□	M30XP1.5	82.3	8.3	65	15	10	---	5	42	36	E2E-S□S18□	M30X1.5	97.3	8.3	80	15	12	---	5	42	36											
Model	A	B	C	D	E	F	G*	H	I	J																																																																																										
E2E-X□M□D8	M8XP1	37.8	4.4	26	6	8	---	3	15	13																																																																																										
E2E-X□M□D12	M12XP1	47.1	3.7	33	7	10	---	4	21	17																																																																																										
E2E-X□M□L8	M8XP1	47.8	4.4	36	6	8	---	3	15	13																																																																																										
E2E-X□M□L12	M12XP1	69.1	3.7	55	7	10	---	4	21	17																																																																																										
E2E-X□M□L18	M18XP1	77.3	8.5	60	13	12	---	4	29	24																																																																																										
E2E-S□S12□	M30XP1.5	82.3	8.3	65	15	10	---	5	42	36																																																																																										
E2E-S□S18□	M30X1.5	97.3	8.3	80	15	12	---	5	42	36																																																																																										

Note.1: E2E-Next series has one toothed washer.

Note.2: E2E(Q) means E2EQ series and E2EQ series is for welding process type and has the threaded body and sensing head covered with the fluorine resin for spatter resistance.

Note.3: Fixing Nut set is as same as E2E2 series.

[Dimensions]

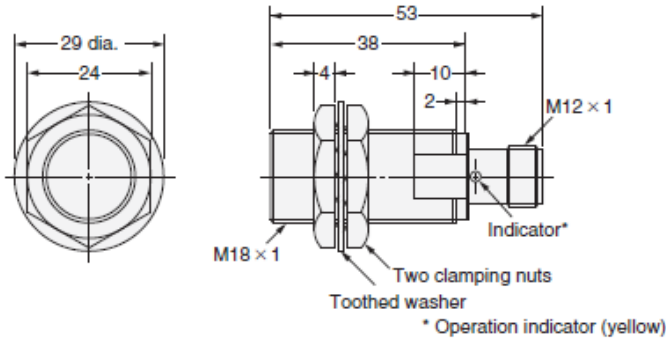
<p align="center">Product discontinuation Model E2E/E2E2/E2EM DC 3w series</p>	<p align="center">Recommendable replacement Model E2E-Next series</p>																																																																																																																																																																																											
<p>M8 Pre-wired type (Shielded) E2EM-X2C*</p>  <p>1. 4-dia. vinyl-insulated round cable with 2/3 conductors (Conductor cross section: 0.3 mm², Insulator diameter: 1.3 mm), Standard length: 2 m The cable can be extended up to 200 m (separate metal conduit). 2. Operation indicator (yellow)</p>	<p>Pre-wired Models of E2E-Next series (dimension table).</p>  <p>Pre-wired Models (Operation mode: NO, NC Type)</p>  <p>Pre-wired Connector Models (M1TJ) (Operation mode: NO, NC Type)</p> <p>Indicators Standard I/O mode (SIO mode): Operation indicator (orange/ON), communication indicator (green/OFF) I/O-Link Communication mode (COM mode): Operation indicator (orange/ON), communication indicator (green/Flashing (1sec cycle))</p> <p>Vinyl-insulated round cable with 3 conductors M8, M12 size: 4-dia. M18, M30 size: 6-dia. (Conductor cross section: 0.2 mm² (AWG24), Insulator diameter: 1.05 mm), Standard length: 2 m (Operation mode: NO+NC Type)</p> <p>Vinyl-insulated round cable with 3 conductors M8, M12 size: 4-dia. M18, M30 size: 6-dia. (Conductor cross section: 0.2 mm² (AWG24), Insulator diameter: 1.05 mm), Standard length: 0.3 m (Operation mode: NO+NC Type)</p> <p>Vinyl-insulated round cable with 4 conductors M12 size: 4.3-dia. M18, M30 size: 6-dia. (Conductor cross section: 0.2 mm² (AWG24), Insulator diameter: 1.05 mm), Standard length: 0.3 m (Operation mode: NO+NC Type)</p>																																																																																																																																																																																											
<p>M12 Pre-wired type (Shielded) E2EM-X4C*</p>  <p>1. 4-dia. vinyl-insulated round cable with 2/3 conductors (Conductor cross section: 0.3 mm², Insulator diameter: 1.3 mm), Standard length: 2 m 2. X1 Models: Operation indicator (red) Setting indicator (green) X2 Models: Operation indicator (red) C Models: Operation indicator (yellow)</p>	<p>Shielded</p> <table border="1"> <thead> <tr> <th>Model</th> <th>A</th> <th>B</th> <th>C</th> <th>D</th> <th>E</th> <th>F</th> <th>G*</th> <th>H</th> <th>I</th> <th>J</th> </tr> </thead> <tbody> <tr> <td>E2E(Q)-X□D8</td> <td>M8XP1</td> <td>37.8</td> <td>4.4</td> <td>26</td> <td>1</td> <td>10</td> <td>4</td> <td>4</td> <td>15</td> <td>13</td> </tr> <tr> <td>E2E(Q)-X□D12</td> <td>M12XP1</td> <td>47.1</td> <td>3.7</td> <td>33</td> <td>1</td> <td>12</td> <td>4</td> <td>5.5</td> <td>21</td> <td>17</td> </tr> <tr> <td>E2E(Q)-X□D18</td> <td>M18XP1</td> <td>55.3</td> <td>8.5</td> <td>38</td> <td>1</td> <td>12</td> <td>4</td> <td>6</td> <td>29</td> <td>24</td> </tr> <tr> <td>E2E(Q)-X□D30</td> <td>M30XP1.5</td> <td>60.3</td> <td>8.3</td> <td>43</td> <td>1</td> <td>12</td> <td>4</td> <td>7</td> <td>42</td> <td>36</td> </tr> <tr> <td>E2E-X□L8</td> <td>M8XP1</td> <td>47.8</td> <td>4.4</td> <td>36</td> <td>1</td> <td>10</td> <td>---</td> <td>4</td> <td>15</td> <td>13</td> </tr> <tr> <td>E2E-X□L12</td> <td>M12XP1</td> <td>69.1</td> <td>3.7</td> <td>55</td> <td>1</td> <td>12</td> <td>---</td> <td>5.5</td> <td>21</td> <td>17</td> </tr> <tr> <td>E2E-X□L18</td> <td>M18XP1</td> <td>77.3</td> <td>8.5</td> <td>60</td> <td>1</td> <td>12</td> <td>---</td> <td>6</td> <td>29</td> <td>24</td> </tr> <tr> <td>E2E-X□L30</td> <td>M30XP1.5</td> <td>82.3</td> <td>8.3</td> <td>65</td> <td>1</td> <td>12</td> <td>---</td> <td>7</td> <td>42</td> <td>36</td> </tr> </tbody> </table> <p>Unshielded</p> <table border="1"> <thead> <tr> <th>Model</th> <th>A</th> <th>B</th> <th>C</th> <th>D</th> <th>E</th> <th>F</th> <th>G*</th> <th>H</th> <th>I</th> <th>J</th> </tr> </thead> <tbody> <tr> <td>E2E-X□M□D8</td> <td>M8XP1</td> <td>37.8</td> <td>4.4</td> <td>26</td> <td>6</td> <td>8</td> <td>---</td> <td>3</td> <td>15</td> <td>13</td> </tr> <tr> <td>E2E-X□M□D12</td> <td>M12XP1</td> <td>47.1</td> <td>3.7</td> <td>33</td> <td>7</td> <td>10</td> <td>---</td> <td>4</td> <td>21</td> <td>17</td> </tr> <tr> <td>E2E-X□M□L8</td> <td>M8XP1</td> <td>47.8</td> <td>4.4</td> <td>36</td> <td>6</td> <td>8</td> <td>---</td> <td>3</td> <td>15</td> <td>13</td> </tr> <tr> <td>E2E-X□M□L12</td> <td>M12XP1</td> <td>69.1</td> <td>3.7</td> <td>55</td> <td>7</td> <td>10</td> <td>---</td> <td>4</td> <td>21</td> <td>17</td> </tr> <tr> <td>E2E-X□M□L18</td> <td>M18XP1</td> <td>77.3</td> <td>8.5</td> <td>60</td> <td>13</td> <td>12</td> <td>---</td> <td>4</td> <td>29</td> <td>24</td> </tr> <tr> <td>E2E-S□S12□</td> <td>M30XP1.5</td> <td>82.3</td> <td>8.3</td> <td>65</td> <td>15</td> <td>10</td> <td>---</td> <td>5</td> <td>42</td> <td>36</td> </tr> <tr> <td>E2E-S□S15□</td> <td>M30X1.5</td> <td>97.3</td> <td>8.3</td> <td>80</td> <td>15</td> <td>12</td> <td>---</td> <td>5</td> <td>42</td> <td>36</td> </tr> </tbody> </table>	Model	A	B	C	D	E	F	G*	H	I	J	E2E(Q)-X□D8	M8XP1	37.8	4.4	26	1	10	4	4	15	13	E2E(Q)-X□D12	M12XP1	47.1	3.7	33	1	12	4	5.5	21	17	E2E(Q)-X□D18	M18XP1	55.3	8.5	38	1	12	4	6	29	24	E2E(Q)-X□D30	M30XP1.5	60.3	8.3	43	1	12	4	7	42	36	E2E-X□L8	M8XP1	47.8	4.4	36	1	10	---	4	15	13	E2E-X□L12	M12XP1	69.1	3.7	55	1	12	---	5.5	21	17	E2E-X□L18	M18XP1	77.3	8.5	60	1	12	---	6	29	24	E2E-X□L30	M30XP1.5	82.3	8.3	65	1	12	---	7	42	36	Model	A	B	C	D	E	F	G*	H	I	J	E2E-X□M□D8	M8XP1	37.8	4.4	26	6	8	---	3	15	13	E2E-X□M□D12	M12XP1	47.1	3.7	33	7	10	---	4	21	17	E2E-X□M□L8	M8XP1	47.8	4.4	36	6	8	---	3	15	13	E2E-X□M□L12	M12XP1	69.1	3.7	55	7	10	---	4	21	17	E2E-X□M□L18	M18XP1	77.3	8.5	60	13	12	---	4	29	24	E2E-S□S12□	M30XP1.5	82.3	8.3	65	15	10	---	5	42	36	E2E-S□S15□	M30X1.5	97.3	8.3	80	15	12	---	5	42	36
Model	A	B	C	D	E	F	G*	H	I	J																																																																																																																																																																																		
E2E(Q)-X□D8	M8XP1	37.8	4.4	26	1	10	4	4	15	13																																																																																																																																																																																		
E2E(Q)-X□D12	M12XP1	47.1	3.7	33	1	12	4	5.5	21	17																																																																																																																																																																																		
E2E(Q)-X□D18	M18XP1	55.3	8.5	38	1	12	4	6	29	24																																																																																																																																																																																		
E2E(Q)-X□D30	M30XP1.5	60.3	8.3	43	1	12	4	7	42	36																																																																																																																																																																																		
E2E-X□L8	M8XP1	47.8	4.4	36	1	10	---	4	15	13																																																																																																																																																																																		
E2E-X□L12	M12XP1	69.1	3.7	55	1	12	---	5.5	21	17																																																																																																																																																																																		
E2E-X□L18	M18XP1	77.3	8.5	60	1	12	---	6	29	24																																																																																																																																																																																		
E2E-X□L30	M30XP1.5	82.3	8.3	65	1	12	---	7	42	36																																																																																																																																																																																		
Model	A	B	C	D	E	F	G*	H	I	J																																																																																																																																																																																		
E2E-X□M□D8	M8XP1	37.8	4.4	26	6	8	---	3	15	13																																																																																																																																																																																		
E2E-X□M□D12	M12XP1	47.1	3.7	33	7	10	---	4	21	17																																																																																																																																																																																		
E2E-X□M□L8	M8XP1	47.8	4.4	36	6	8	---	3	15	13																																																																																																																																																																																		
E2E-X□M□L12	M12XP1	69.1	3.7	55	7	10	---	4	21	17																																																																																																																																																																																		
E2E-X□M□L18	M18XP1	77.3	8.5	60	13	12	---	4	29	24																																																																																																																																																																																		
E2E-S□S12□	M30XP1.5	82.3	8.3	65	15	10	---	5	42	36																																																																																																																																																																																		
E2E-S□S15□	M30X1.5	97.3	8.3	80	15	12	---	5	42	36																																																																																																																																																																																		
<p>M18 Pre-wired type (Shielded) E2EM-X8C*</p>  <p>1. 6-dia. vinyl-insulated round cable with 2/3 conductors (Conductor cross section: 0.5 mm², Insulator diameter: 1.9 mm), Standard length: 2 m 2. X1 Models: Operation indicator (red) Setting indicator (green) X2 Models: Operation indicator (red) C Models: Operation indicator (yellow)</p>	<p>Note.1: E2E-Next series has one toothed washer.</p> <p>Note.2: E2E(Q) means E2EQ series and E2EQ series is for welding process type and has the threaded body and sensing head covered with the fluorine resin for spatter resistance.</p> <p>Note.3: Fixing Nut set is as same as E2EM series.</p>																																																																																																																																																																																											
<p>M30 Pre-wired type (Shielded) E2EM-X15C*</p>																																																																																																																																																																																												

Product discontinuation Model E2E/E2E2/E2EM DC 3w series	Recommendable replacement Model E2E-Next series
<p> 1. 6-dia. vinyl-insulated round cable with 2/3 conductors (Conductor cross section: 0.5 mm², Insulator diameter: 1.9 mm), Standard length: 2 m 2. X1 Models: Operation indicator (red) Setting indicator (green) X2 Models: Operation indicator (red) C Models: Operation indicator (yellow) </p>	

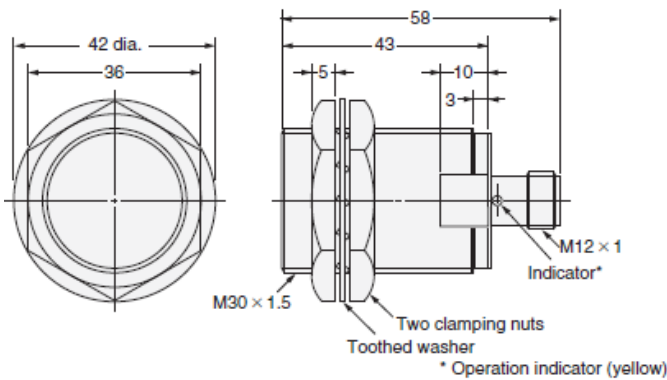
[Dimensions]

Product discontinuation Model E2E/E2E2/E2EM DC 3w series	Recommendable replacement Model E2E-Next series
<p>M8 connector type with M12 size connector (Shielded) E2EM-X2C*-M1</p> <p>* Operation indicator (yellow)</p>	<p> Indicators Standard I/O mode (SIO mode): Operation indicator (orange/ON), communication indicator (green/OFF) IO-Link Communication mode (COM mode): Operation indicator (orange/ON), communication indicator (green/Flashing (1sec cycle)) </p> <p>Model E2E(Q)-X□8-M1; Shape of connection.</p>
<p>M12 connector type with M12 size connector (Shielded) E2EM-X4C*-M1</p> <p>* Operation indicator (yellow)</p>	
<p>M18 connector type with M12 size connector (Shielded) E2EM-X8C*-M1</p>	

Product discontinuation
Model E2E/E2E2/E2EM DC 3w series



M30 connector type with M12 size connector (Shielded)
E2EM-X15C*-M1



Recommendable replacement
Model E2E-Next series

Shielded

Model	A	B	C	D	E	F ^{*1}	G ^{*2}	H	I	J
E2E(Q)-X□30 X□8-M3/M5	M8XP1	39	M8XP1	26	---	10 (8)	4	3	15	13
E2E(Q)-X□8-M1	M8XP1	43	M12XP1	26	---	10 (8)	4	3	15	13
E2E(Q)-X□12-M1	M12XP1	48	M12XP1	33	---	12 (10)	4	4	21	17
E2E(Q)-X□18-M1	M18XP1	53	M12XP1	38	---	12 (10)	4	4	29	24
E2E(Q)-X□30-M1	M30XP1.5	58	M12XP1	43	---	12 (10)	4	5	42	36
E2E-X□L8-M3/M5	M8XP1	49	M8XP1	36	---	8	---	3	15	13
E2E-X□L8-M1	M8XP1	53	M12XP1	36	---	8	---	3	15	13
E2E-X□L12-M1	M12XP1	70	M12XP1	55	---	10	---	4	21	17
E2E-X□L18-M1	M18XP1	75	M12XP1	60	---	10	---	4	29	24
E2E-X□L30-M1	M30XP1.5	80	M12XP1	65	---	10	---	5	42	36

Unshielded

Model	A	B	C	D	E ^{*3}	F	G ^{*2}	H	I	J
E2E-X□M□8-M3/M5	M8XP1	39	M8XP1	26	6	8	---	3	15	13
E2E-X□M□8-M1	M8XP1	43	M12XP1	26	6	8	---	3	15	13
E2E-X□M□12-M1	M12XP1	48	M12XP1	26	7	10	---	4	21	17
E2E-X□M□18-M1	M18XP1	53	M12XP1	38	10	10	---	4	29	24
E2E-X□M□30-M1	M30XP1.5	58	M12XP1	43	13	10	---	5	42	36
E2E-X□M□L8-M3-M5	M8XP1	49	M8XP1	36	6	8	---	3	15	13
E2E-X□M□L8-M1	M8XP1	53	M12XP1	36	6	8	---	3	15	13
E2E-X□M□L12-M1	M12XP1	70	M12XP1	55	7	10	---	4	21	17
E2EX□M□L18-M1	M18XP1	75	M12XP1	60	10	10	---	4	29	24
E2E-X□M□L30-M1	M30XP1.5	80	M12XP1	65	¹³⁰ (15)	10	---	5	42	36

Note.1: E2E-Next series has one toothed washer.

Note.2: E2E(Q) means E2EQ series and E2EQ series is for welding process type and has the threaded body and sensing head covered with the fluorine resin for spatter resistance.

Note.3: Fixing Nut set is as same as E2EM series.

[Rating/Performance]

Described the main changes when comparing alternative models.
For detailed specifications, refer to the catalog and specifications.

Item	Product discontinuation Model E2E DC 3w series	Recommendable replacement Model E2E-Next DC 3w series
Differential travel	10% max. of sensing distance	15% max. of sensing distance
Power supply voltage	10 to 40 VDC	10 to 30 VDC
Current consumption	13 mA max.	16 mA max.
Output short-circuit protection	None	Use
Operation indicators	red	orange
Oil-resistant	JIS C0920 Appendix 1 IP67G (In-house standard oil resistance)	OMRON Oil-resistant Component Evaluation Criteria Ability value 2 years

Item	Product discontinuation Model E2E2 DC 3w series	Recommendable replacement Model E2E-Next series
Differential travel	10% max. of sensing distance	15% max. of sensing distance
Current consumption	13 mA max.	16 mA max.
Output short-circuit protection	None	Use
Operation indicators	red	orange
Oil-resistant	JIS C0920 Appendix 1 IP67G (In-house standard oil resistance)	OMRON Oil-resistant Component Evaluation Criteria Ability value 2 years

Item	Product discontinuation Model E2EM DC 3w series	Recommendable replacement Model E2E-Next series
Differential travel	10% max. of sensing distance	15% max. of sensing distance
Power supply voltage	10 to 40 VDC	10 to 30 VDC
Current consumption	13 mA max.	16 mA max.
Output short-circuit protection	None	Use
Operation indicators	red	orange
Oil-resistant	JIS C0920 Appendix 1 IP67G (In-house standard oil resistance)	OMRON Oil-resistant Component Evaluation Criteria Ability value 2 years

[Operation characteristic]

If the detection distance is replaced with an equivalent product, the detection area will be almost the same, but it will change depending on the detection target. Therefore, when replacing it, please test it in the actual installation environment.

For detailed specifications, refer to our catalog, specifications, and instruction manuals.

Specifications and prices in this product news are as of the issue date and are subject to change without notice.
Only main changes in specifications are described in this document. Please be sure to read the relevant catalogs, datasheets, product specifications, instructions, and manuals for precautions and necessary information when using products.