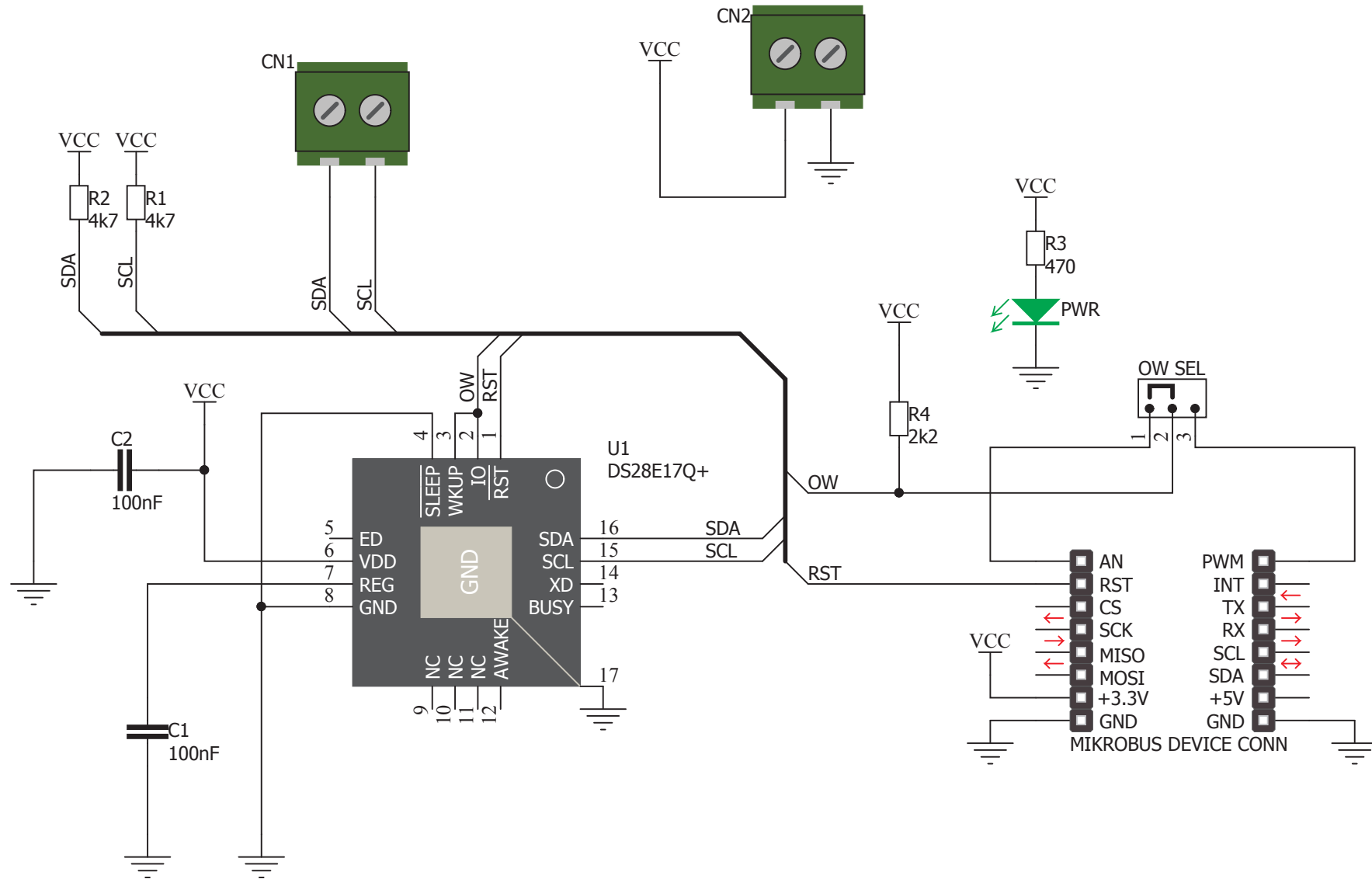


# 1-Wire I2C click schematic v100



[www.mikroe.com](http://www.mikroe.com)