

6

5

4

3

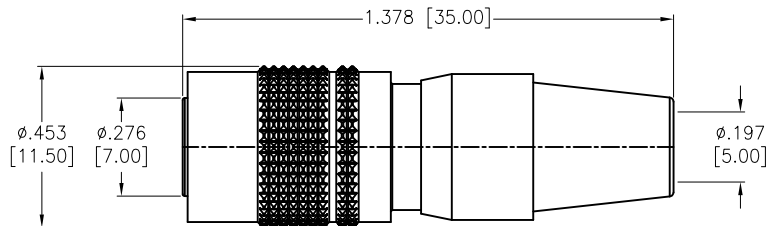
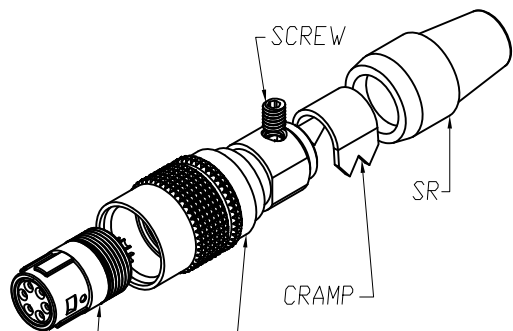
2

1

APPROVED: _____

DATE: _____ TITLE: _____

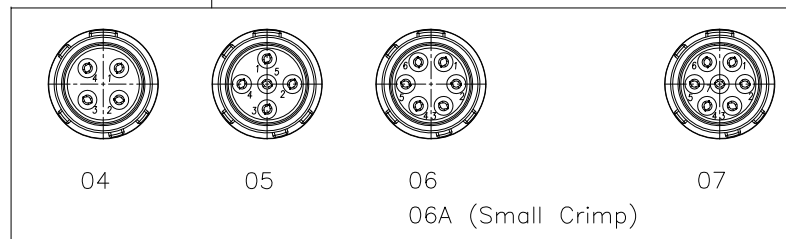
Rev	AWO #	Description	Date	Appr
-		RELEASED	11/23/18	



HOUSING + CONTACT + SHELL A

SHELL B + SHELL C + SPRING

SD-PNNXX-FFLAL-S00-000



SPECIFICATIONS:

Material:
Housing: Nylon 46, rated UL 94V-0, Color: Black
Contacts: Brass, Gold Flash plated
Shell A: Zinc Alloy, Nickel plated
Shell B: Brass, Stain Nickel plated
Shell C: Brass, Nickel plated
Spring: Stainless Steel, Nickel plated
Screw: Alloy Steel, Nickel plated
Clamp: Brass
SR: NBR, Color: Black
Environmental:
Lead free, RoHS compliant



UNLESS OTHERWISE SPECIFIED ALL DIMENSIONS ARE INCHES [MM] TOLERANCES: EXCEPT AS NOTED		
INCHES HOLES		
.X ± .10	Ø.X ± .10	
.XX ± .020	Ø.XX ± .015	
.XXX ± .015	Ø.XXX ± .010	
APPROVALS		DATE
DRAWN	HR	11/23/18
CHECKED	AC	11/23/18
APPROVED		

ADAM TECH INTERCONNECTS
909 Rahway Avenue,
Union, NJ 07083
Phone: 908-687-5000
Fax: 908-687-5710

TITLE: WATERPROOF CONNECTOR, FEMALE DIN,
ASSEMBLY, SHELL LOCK TYPE, SOLDER

SIZE	PART NO.	REV.
X	SD-PNNXX-FFLAL-S00-000	-
REF: S00200T	SCALE: NTS	SHEET 1 OF 1

6

5

4

3

2

1