



TAI-SAW TECHNOLOGY CO., LTD.

No. 3, Industrial 2nd Rd., Ping-Chen Industrial District,
Taoyuan, 324, Taiwan, R.O.C.

TEL: 886-3-4690038 FAX: 886-3-4697532

E-mail: ttsales@mail.taisaw.com Web: www.taisaw.com

Approval Sheet For Product Specification

Issued Date: Apr, 25, 2007

Product Name: SAW Filter 1720 MHz SMD 3.0X3.0 mm

TST Parts No.: TA0682A

Customer Parts No.: _____

Company: _____
Division: _____
Approved by : _____
Date: _____

Checked by: _____ Bob Chau

Approval by: _____ Francis Chen

Date: _____ 4, 25, 2007



TAI-SAW TECHNOLOGY CO., LTD.

No. 3, Industrial 2nd Rd., Ping-Chen Industrial District,
Taoyuan, 324, Taiwan, R.O.C.

TEL: 886-3-4690038 FAX: 886-3-4697532

E-mail: tstsales@mail.taisaw.com Web: www.taisaw.com

SAW Filter 1720 MHz

MODEL NO.:TA0682A

REV. NO.:1

A. MAXIMUM RATING:

1. Input Power Level: 15 dBm
2. DC Voltage : 3V
3. Operating Temperature: -40°C to +85°C
4. Storage Temperature: -50°C to +95°C

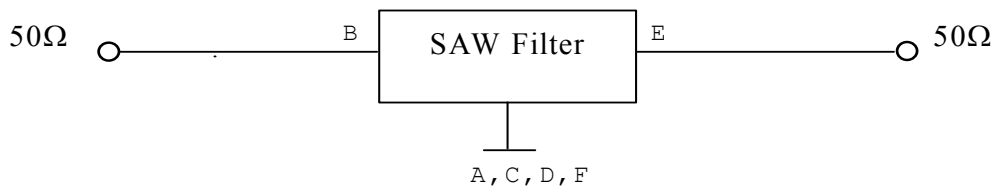
RoHS Compliant
Lead free
Lead-free soldering

B. ELECTRICAL CHARACTERISTICS:

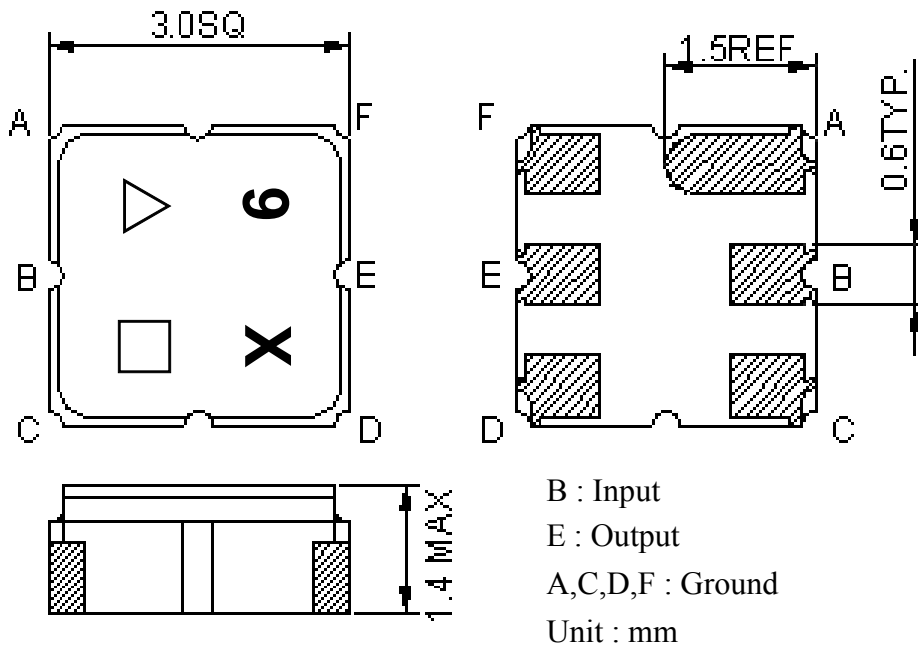
Item	Unit	Min.	Type.	Max.	Note
Center Frequency Fc	MHz	-	1720	-	-
Insertion Loss (1708 ~ 1732 MHz) IL	dB	-	1.7	3	-
Amplitude Ripple (1708 ~ 1732 MHz)	dB	-	0.6	2	-
Return Loss (1708 ~ 1732 MHz)		8	20	-	-
Group Delay Ripple (1708 ~ 1732 MHz)	ns	-	5	20	-
Attenuation (Reference level from 0 dB)					
1220 ~ 1650 MHz	dB	20	31	-	-
1650 ~ 1670 MHz	dB	10	25	-	-
1780 ~ 1790 MHz	dB	10	48	-	-
1790 ~ 2220 MHz	dB	20	36	-	-

C. MEASUREMENT CIRCUIT:

HP Network analyzer



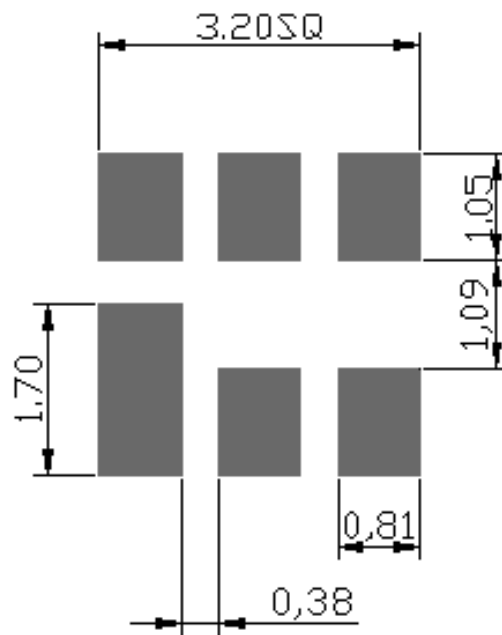
D.OUTLINE DRAWING:



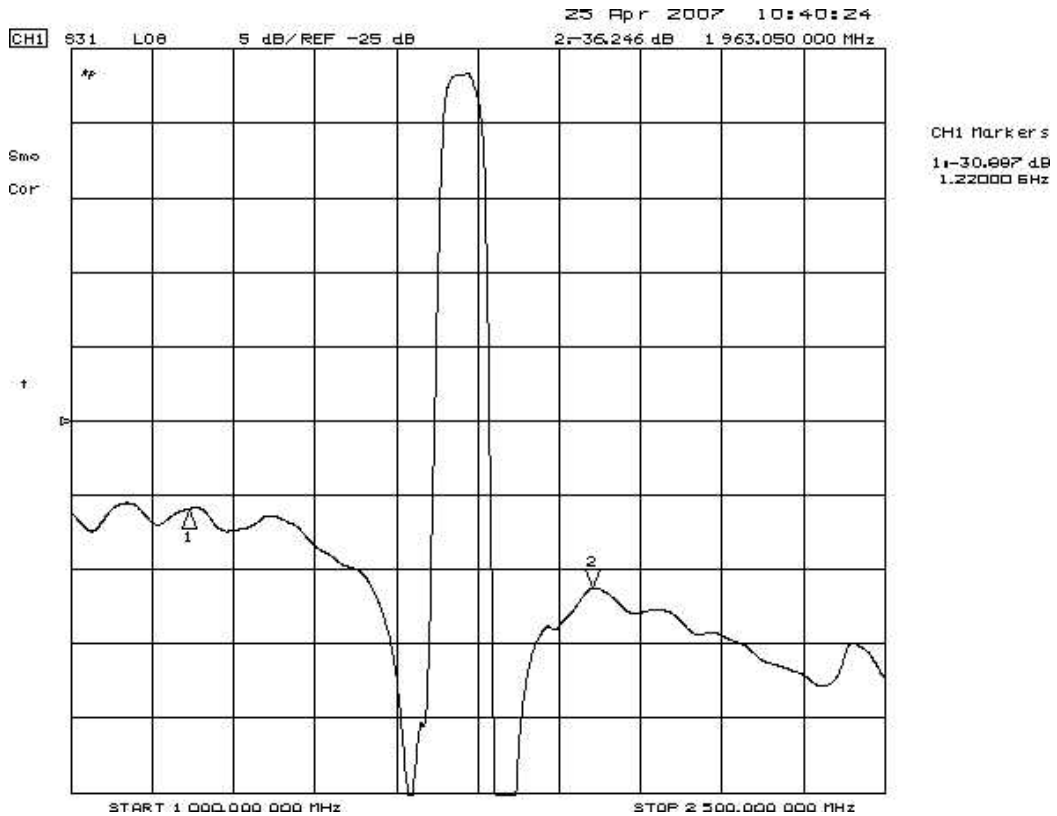
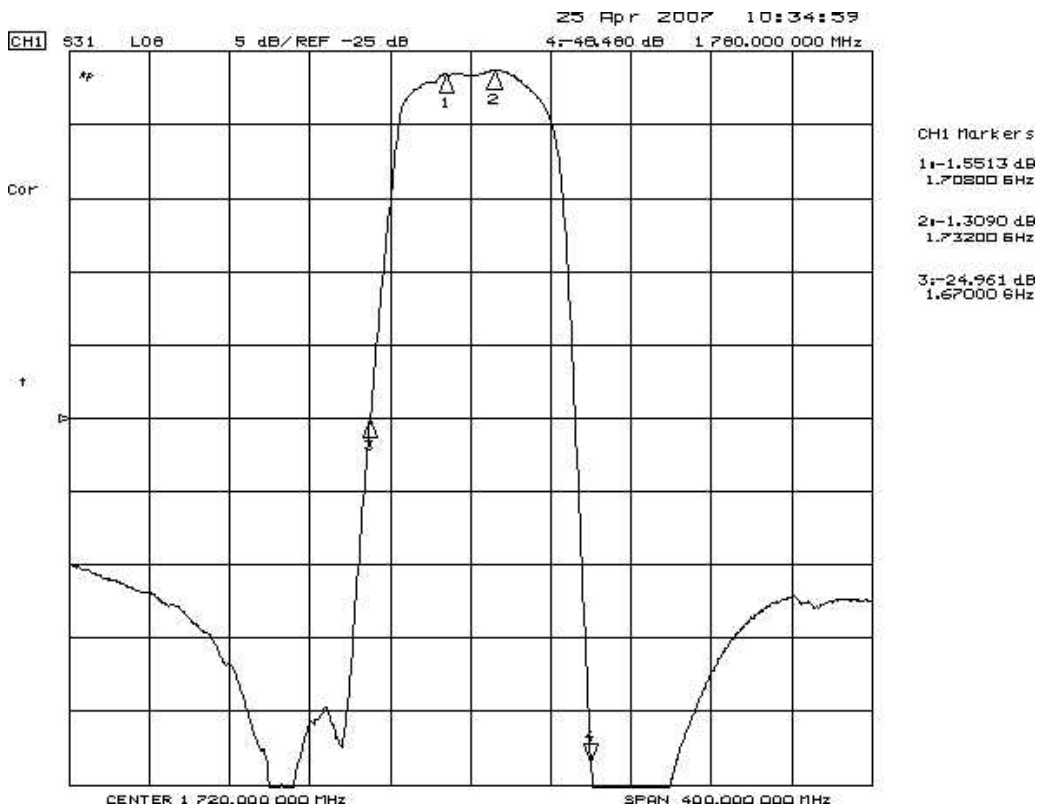
△ : Year Code (2006->6, ..., 2009->9)

□ : Date Code (Follow the table from planner each year)

E. PCB Footprint:

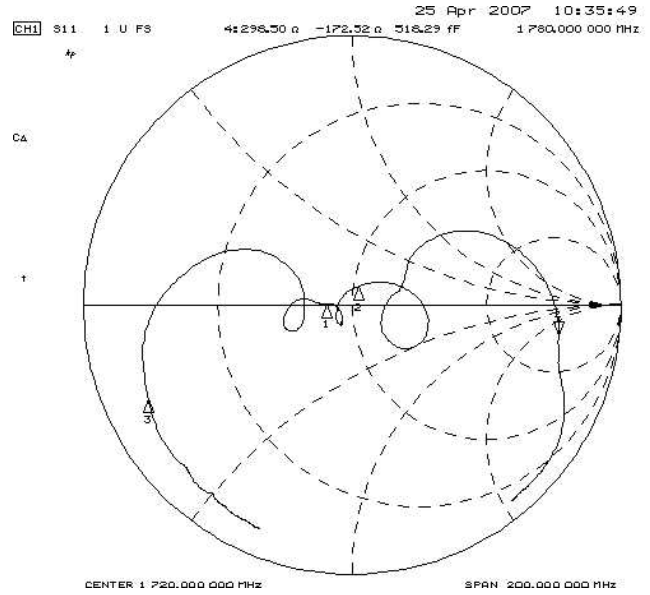


F. Frequency Characteristics :

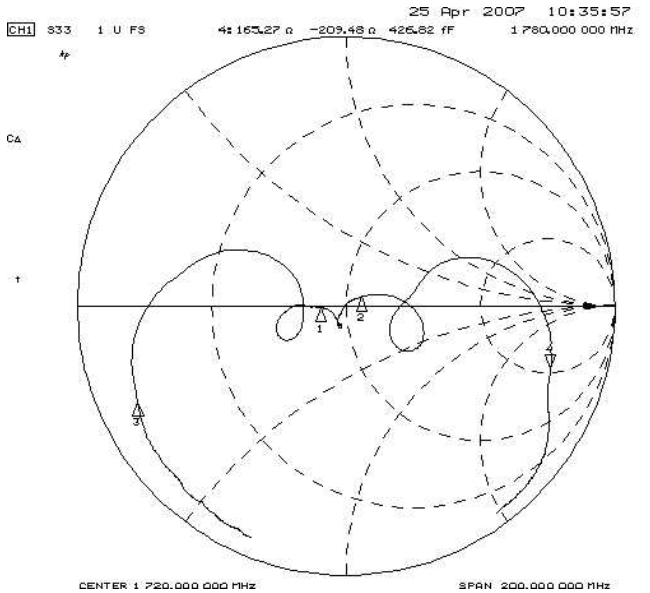
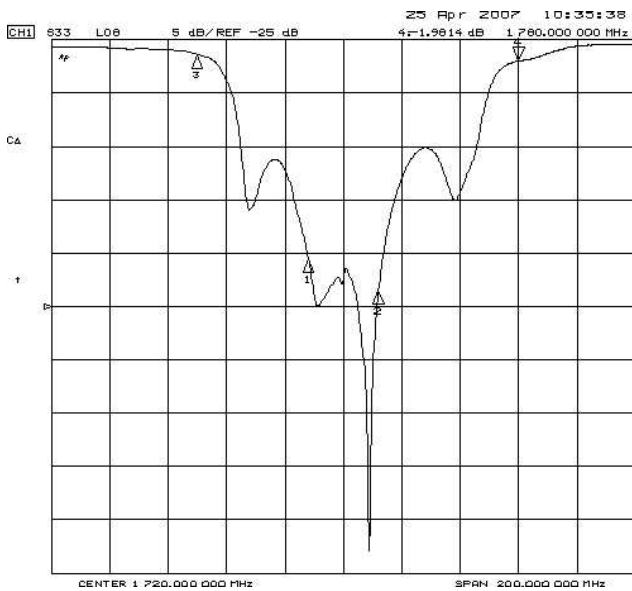


Reflection Functions :

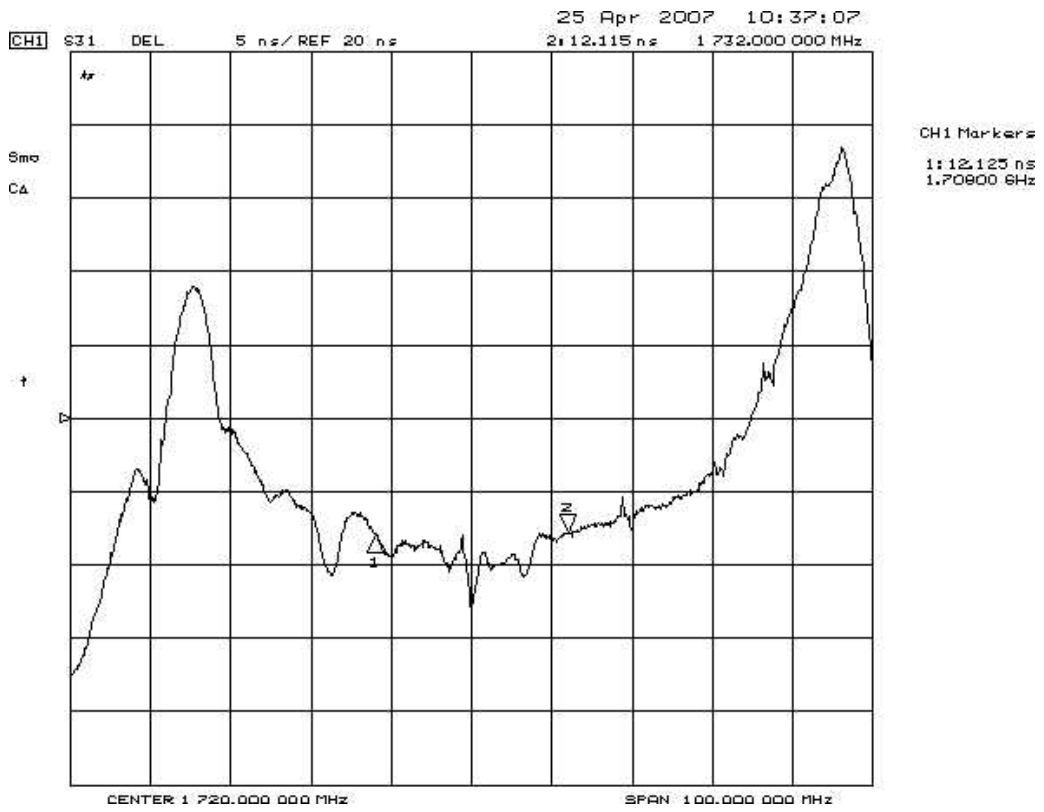
S11



S22



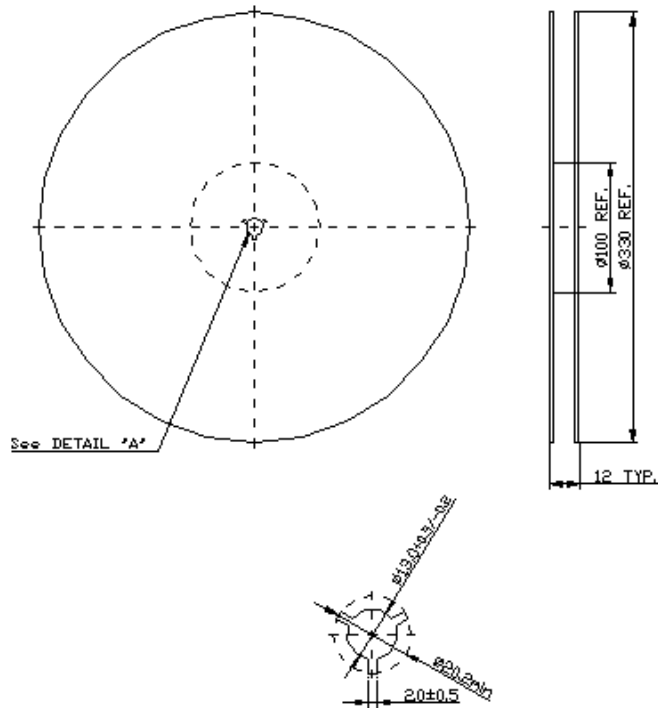
Group Delay :



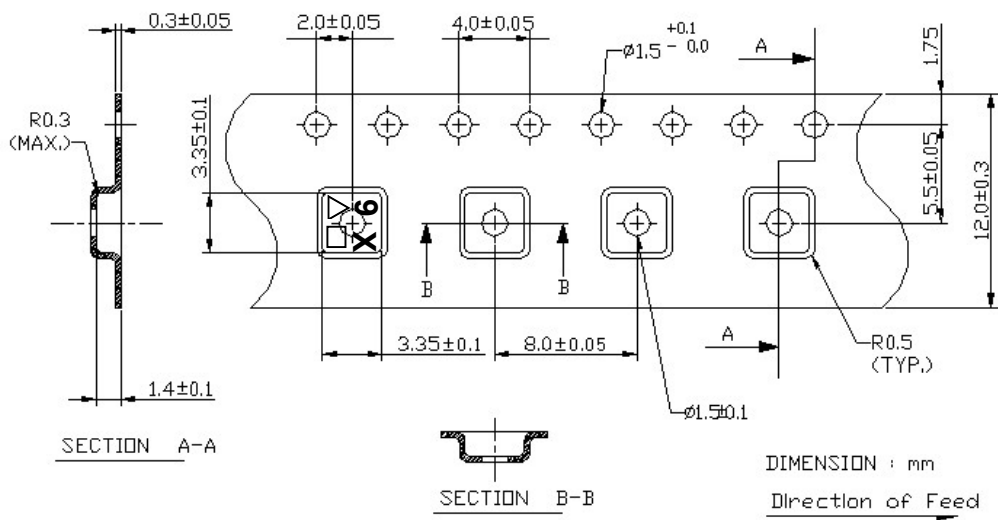
G. PACKING:

1. REEL DIMENSION

(Reel Count : 7''=1000 ; 13''=3000)



2. TAPE DIMENSION



H. RECOMMENDED REFLOW PROFILE :

