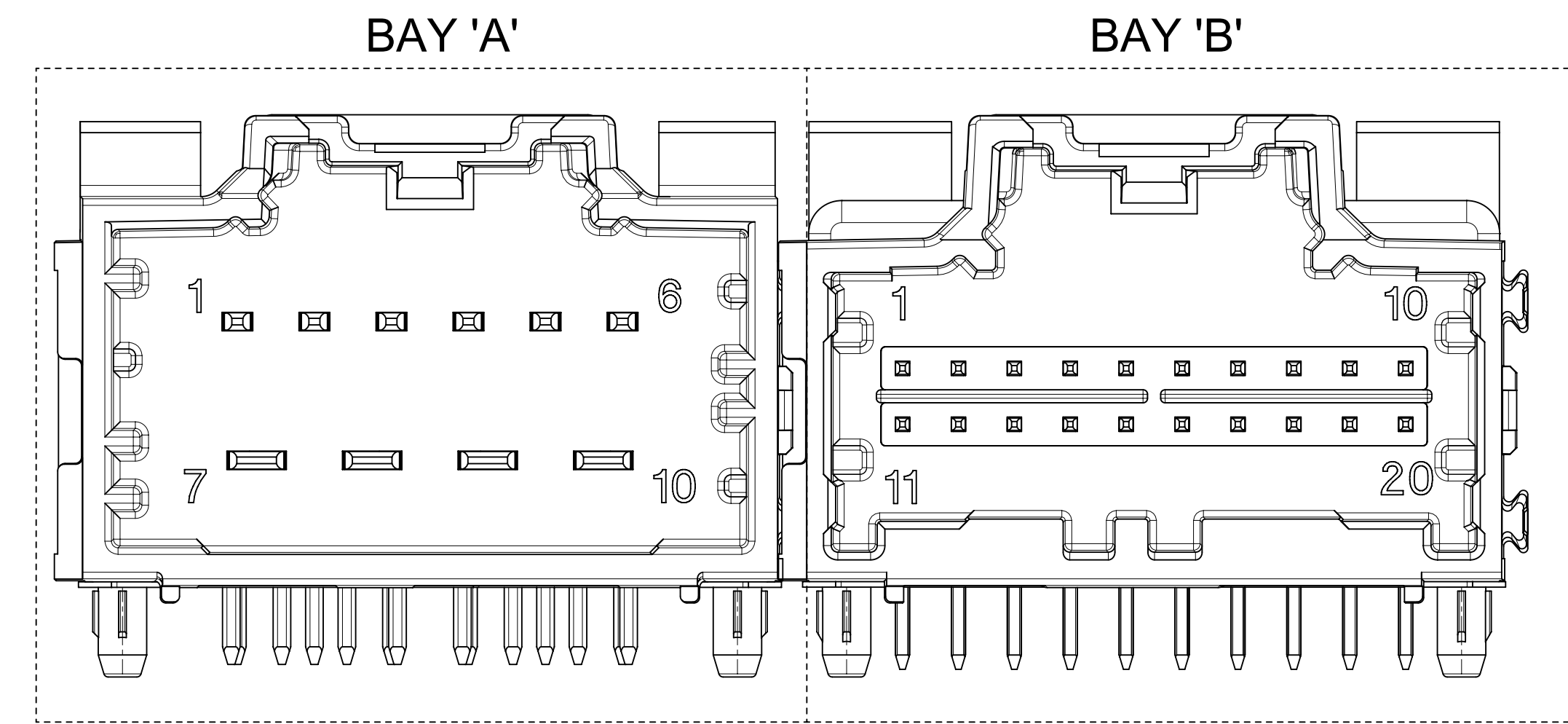


2 BAY STAC64 RIGHT ANGLE HEADER ASSEMBLY (P/N: 34708-2012 SHOWN)



| TABLE OF CONTENTS | |
|-------------------|--|
| 1 | NOTES, INSPECTION BALLOON NUMBER LOG, REV. TABLE, 2 BAY ASSEMBLY VIEW |
| 2 | DIMENSIONAL CHART FOR MULTIBAY CONFIGURATION |
| 3 | DIMENSIONAL CHART FOR MULTIBAY CONFIGURATION |
| 4 | 2 BAY ASSEMBLY VIEW, RECOMMENDED PCB LAYOUT, FLUSH MOUNTING VIEW, POST HOLE TABLE, DIMENSION DETAILS |
| 5 | 8-20CKT 0.64MM HEADER DETAILS, 14CKT HYBRID HEADER DETAILS, 10CKT HYBRID HEADER DETAILS |
| 6 | RECOMMENDED SINGLE PCB LAYOUT FOR 10CKT HYBRID, 14CKT HYBRID, AND 8-20CKT 0.64MM |

Y3 NOTES: VALID UNLESS OTHERWISE SPECIFIED

1. GENERAL:
 - a. CONNECTOR HEADER MUST BE VALIDATED TO THE FOLLOWING FUNCTIONAL REQUIREMENTS:
 PRODUCT SPECIFICATION:
 8-20 CKT 0.64 PRODUCT SPEC: PS-34729-020/PS-31408-100
 10/14 CKT HYBRID PRODUCT SPEC: PS-31372-100
 - b. APPLICATION REQUIREMENTS (REFERENCE ONLY):
 APPLICATION SPECIFICATION: AS-34729-020/AS-31408-100
 - c. PACKAGING SPECIFICATION PER MOLEX DRAWING PK-31300-892 (TRAY)
 - d. PACKAGING SPECIFICATION PER MOLEX DRAWING PK-31301-063 (TUBE)
 - e. PACKAGING SPECIFICATION PER MOLEX DRAWING PK-31300-894 (ALT TRAY)
2. MATERIALS:
 - a. SHROUD (PLASTIC HOUSING):
 RESIN - SPS
 COLOR:
 POL A - BLACK
 POL B - GRAY
 POL C - BROWN
 POL D - GREEN
 - b. 0.64mm PINS:
 BASE MATERIAL: COPPER ALLOY
 PLATING TYPE: AS NOTED
 1.5/2.8mm BLADES:
 BASE MATERIAL: COPPER ALLOY
 PLATING TYPE: AS NOTED
3. PLATING REQUIREMENTS:
 - a. UNDERPLATING - OVERALL NICKEL
 - b. OVERPLATING - OVERALL TIN
4. FOR ADDITIONAL INFORMATION AND DIMENSIONS OF INDIVIDUAL BAYS REFER TO THE FOLLOWING SINGLE BAY DRAWINGS:
 8-20 CKT 0.64: SD-34691-100
 10 CKT HYBRID: SD-34696-100
 14 CKT HYBRID: SD-34773-010
5. G DENOTES DIMENSIONS THAT MAY BE QUALIFIED WITH A GAUGE.

| | | | |
|------|--|--------|---------|
| Y5 | ADDED P/NS 34708-2051 AND 34708-2052 IN SHEET 3 | 679095 | 2021.09 |
| Y4 | ADDED P/N 34708-2049 IN SHEET 3 | 670800 | 2021.07 |
| Y3 | 1. UPDATED NOTES 2. ADDED NEW P/NS 34708-2048 AND 34708-7048 IN SHEET 3 | 662724 | 2021.05 |
| REV. | REV. DESCRIPTION | EC# | DATE |



| INSPECTION BALLOON NUMBER LOG | |
|-------------------------------|----|
| PER DRAWING REVISION: | Y5 |
| LAST BALLOON NUMBER USED: | 55 |
| ADDED BALLOON NUMBERS: | |
| REMOVED BALLOON NUMBERS: | |

| | | | | | |
|---|---|---|--|--|---|
| FUNCTIONAL SYMBOLS FA = 0 FC = 0 FP = 0 | THIS DRAWING CONTAINS INFORMATION THAT IS PROPRIETARY TO MOLEX ELECTRONIC TECHNOLOGIES, LLC AND SHOULD NOT BE USED WITHOUT WRITTEN PERMISSION | DIMENSION UNITS: mm SCALE: 4:1 | CURRENT REV DESC: | | |
| | GENERAL TOLERANCES (UNLESS SPECIFIED) ANGULAR TOL ± 3.0° | 4 PLACES ± 3 PLACES ± 2 PLACES ± 0.13 1 PLACE ± 0.25 0 PLACES ± | EC NO: 679095 DRWN: CZHANG118 2021/09/27 CHK'D: CDZHANG 2021/10/08 APPR: CDZHANG 2021/10/08 | | PRODUCT CUSTOMER DRAWING |
| | DRAFT WHERE APPLICABLE MUST REMAIN WITHIN DIMENSIONS | THIRD ANGLE PROJECTION | INITIAL REVISION: DRWN: MBAILEY 2008/08/14 APPR: SMARCEAU 2008/08/14 | | DOCUMENT NUMBER: SD-34708-200 DOC TYPE: PSD DOC PART: 001 REVISION: Y5 |
| | D-SIZE | SERIES: 34708 | MATERIAL NUMBER: SEE CHART CUSTOMER: GENERAL MARKET SHEET NUMBER: 1 OF 6 | | |

| DOCUMENT STATUS | P1 | RELEASE DATE | 2021/10/08 | 03:36:02 |
|-----------------|----|--------------|------------|----------|
| 19 | 18 | 17 | 16 | 15 |

DIMENSIONAL CHART FOR MULTIBAY CONFIGURATION:

| 2 BAY PART NUMBER (ALT TRAY) | 2 BAY PART NUMBER (TUBE PKG) | 2 BAY PART NUMBER (TRAY PKG) | BAY A | | | BAY B | | | DIM 'A' | DIM 'B' | DIM 'C' | DIM 'D' |
|------------------------------|------------------------------|------------------------------|-------|--------|-----|-------|--------|-----|---------|---------|---------|---------|
| | | | CKT | TYPE | POL | CKT | TYPE | POL | | | | |
| TBD | 34708-7000 | 34708-2000 | 20 | 0.64mm | A | 20 | 0.64mm | B | 66.94 | 64.47 | 27.94 | 27.94 |
| TBD | TBD | 34708-2001 | 20 | 0.64mm | B | 20 | 0.64mm | C | 66.94 | 64.47 | 27.94 | 27.94 |
| TBD | TBD | 34708-2002 | 20 | 0.64mm | C | 20 | 0.64mm | D | 66.94 | 64.47 | 27.94 | 27.94 |
| TBD | 34708-7003 | 34708-2003 | 20 | 0.64mm | C | 8 | 0.64mm | A | 51.70 | 49.23 | 27.94 | 12.70 |
| TBD | 34708-7004 | 34708-2004 | 20 | 0.64mm | C | 12 | 0.64mm | A | 56.78 | 54.31 | 27.94 | 17.78 |
| TBD | TBD | 34708-2005 | 14 | HYBRID | C | 20 | 0.64mm | C | 66.94 | 64.47 | 27.94 | 27.94 |
| TBD | TBD | 34708-2006 | 16 | 0.64mm | B | 20 | 0.64mm | B | 61.86 | 59.39 | 22.86 | 27.94 |
| TBD | TBD | 34708-2007 | 16 | 0.64mm | C | 20 | 0.64mm | C | 61.86 | 59.39 | 22.86 | 27.94 |
| TBD | TBD | 34708-2008 | 20 | 0.64mm | A | 20 | 0.64mm | C | 66.94 | 64.47 | 27.94 | 27.94 |
| TBD | TBD | 34708-2009 | 8 | 0.64mm | A | 8 | 0.64mm | B | 36.46 | 33.99 | 12.70 | 12.70 |
| TBD | TBD | 34708-2010 | 12 | 0.64mm | A | 10 | HYBRID | B | 56.78 | 54.31 | 17.78 | 27.94 |
| TBD | TBD | 34708-2011 | 20 | 0.64mm | C | 20 | 0.64mm | B | 66.94 | 64.47 | 27.94 | 27.94 |
| TBD | TBD | 34708-2012 | 10 | HYBRID | A | 20 | 0.64mm | C | 66.94 | 64.47 | 27.94 | 27.94 |
| TBD | TBD | 34708-2013 | 12 | 0.64mm | A | 20 | 0.64mm | B | 56.78 | 54.31 | 17.78 | 27.94 |
| TBD | TBD | 34708-2014 | 14 | HYBRID | C | 20 | 0.64mm | B | 66.94 | 64.47 | 27.94 | 27.94 |
| TBD | TBD | 34708-2015 | 20 | 0.64mm | B | 14 | HYBRID | C | 66.94 | 64.47 | 27.94 | 27.94 |
| TBD | TBD | 34708-2016 | 12 | 0.64mm | B | 20 | 0.64mm | D | 56.78 | 54.31 | 17.78 | 27.94 |
| TBD | TBD | 34708-2017 | 16 | 0.64mm | A | 8 | 0.64mm | C | 46.62 | 44.15 | 22.86 | 12.70 |
| TBD | TBD | 34708-2018 | 12 | 0.64mm | A | 16 | 0.64mm | A | 51.70 | 49.23 | 22.86 | 17.78 |
| TBD | TBD | 34708-2019 | 20 | 0.64mm | A | 12 | 0.64mm | A | 56.78 | 54.31 | 27.94 | 17.78 |
| TBD | 34708-7012 | 34708-2020 | 10 | HYBRID | A | 16 | 0.64mm | A | 61.86 | 59.39 | 27.94 | 22.86 |
| TBD | TBD | 34708-2021 | 16 | 0.64mm | B | 16 | 0.64mm | A | 56.78 | 54.31 | 22.86 | 22.86 |
| TBD | TBD | 34708-2022 | 20 | 0.64mm | C | 10 | HYBRID | A | 66.94 | 64.47 | 27.94 | 27.94 |
| TBD | TBD | 34708-2023 | 20 | 0.64mm | A | 20 | 0.64mm | C | 66.94 | 64.47 | 27.94 | 27.94 |
| TBD | TBD | 34708-2024 | 8 | 0.64mm | A | 10 | HYBRID | A | 51.70 | 49.23 | 12.70 | 27.94 |
| TBD | TBD | 34708-2025 | 8 | 0.64mm | B | 10 | HYBRID | A | 51.70 | 49.23 | 12.70 | 27.94 |
| TBD | TBD | 34708-2026 | 16 | 0.64mm | A | 20 | 0.64mm | A | 61.86 | 59.39 | 22.86 | 27.94 |
| TBD | TBD | 34708-2027 | 8 | 0.64mm | B | 8 | 0.64mm | B | 36.46 | 33.99 | 12.70 | 12.70 |
| TBD | TBD | 34708-2028 | 16 | 0.64mm | A | 8 | 0.64mm | A | 46.62 | 44.15 | 22.86 | 12.70 |
| TBD | TBD | 34708-2029 | 12 | 0.64mm | A | 12 | 0.64mm | B | 46.62 | 44.15 | 17.78 | 17.78 |
| TBD | 34708-7030 | 34708-2030 | 10 | HYBRID | B | 10 | HYBRID | A | 66.94 | 64.47 | 27.94 | 27.94 |
| TBD | TBD | 34708-2031 | 12 | 0.64mm | B | 12 | 0.64mm | A | 46.62 | 44.15 | 17.78 | 17.78 |
| TBD | TBD | 34708-2032 | 20 | 0.64mm | D | 16 | 0.64mm | B | 61.68 | 59.39 | 27.94 | 22.86 |
| TBD | TBD | 34708-2033 | 20 | 0.64mm | D | 16 | 0.64mm | C | 61.86 | 59.39 | 27.94 | 22.86 |
| TBD | TBD | 34708-2034 | 16 | 0.64mm | B | 20 | 0.64mm | D | 61.68 | 59.39 | 22.86 | 27.94 |
| TBD | TBD | 34708-2035 | 16 | 0.64mm | C | 20 | 0.64mm | D | 61.86 | 59.39 | 22.86 | 27.94 |
| TBD | TBD | 34708-2036 | 8 | 0.64mm | C | 16 | 0.64mm | C | 46.62 | 44.15 | 12.70 | 22.86 |
| 34708-7537 | TBD | 34708-2037 | 16 | 0.64mm | A | 10 | HYBRID | B | 61.86 | 59.39 | 22.86 | 27.94 |
| 34708-7538 | TBD | 34708-2038 | 10 | HYBRID | A | 16 | 0.64mm | C | 61.86 | 59.39 | 27.94 | 22.86 |
| TBD | TBD | 34708-2039 | 14 | HYBRID | A | 20 | 0.64mm | D | 66.94 | 64.47 | 27.94 | 27.94 |
| TBD | TBD | 34708-2040 | 20 | 0.64mm | A | 8 | 0.64mm | A | 51.70 | 49.23 | 27.94 | 12.70 |
| TBD | TBD | 34708-2041 | 12 | 0.64mm | B | 16 | 0.64mm | A | 51.70 | 49.23 | 17.78 | 22.86 |
| TBD | TBD | 34708-2042 | 16 | 0.64mm | A | 16 | 0.64mm | A | 56.78 | 54.31 | 22.86 | 22.86 |
| TBD | TBD | 34708-2043 | 20 | 0.64mm | B | 20 | 0.64mm | A | 66.94 | 64.47 | 27.94 | 27.94 |
| TBD | TBD | 34708-2044 | 10 | HYBRID | A | 10 | HYBRID | B | 66.94 | 64.47 | 27.94 | 27.94 |
| TBD | TBD | 34708-2045 | 20 | 0.64mm | A | 14 | HYBRID | B | 66.94 | 64.47 | 27.94 | 27.94 |
| TBD | TBD | 34708-2046 | 20 | 0.64mm | C | 14 | HYBRID | A | 66.94 | 64.47 | 27.94 | 27.94 |

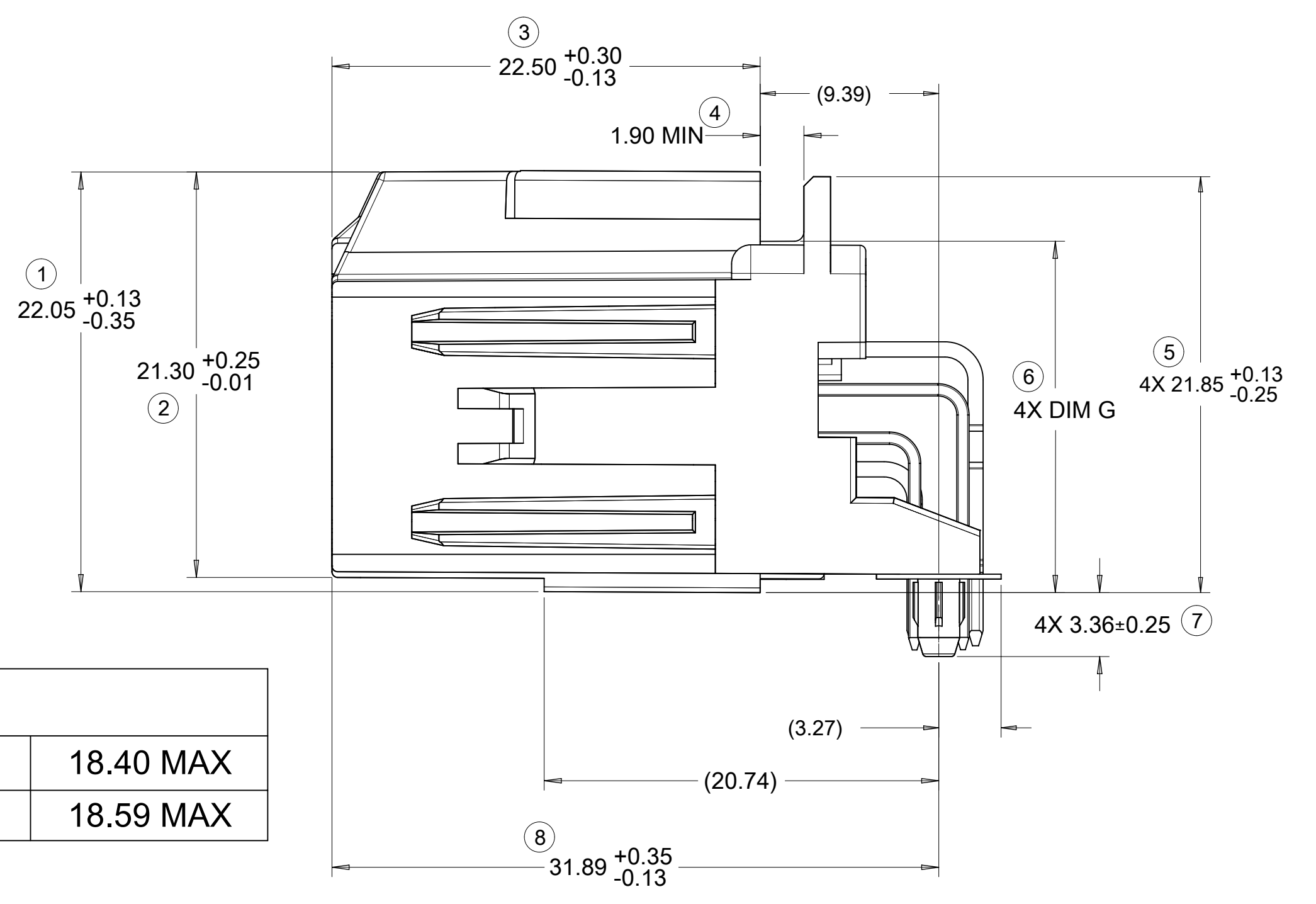
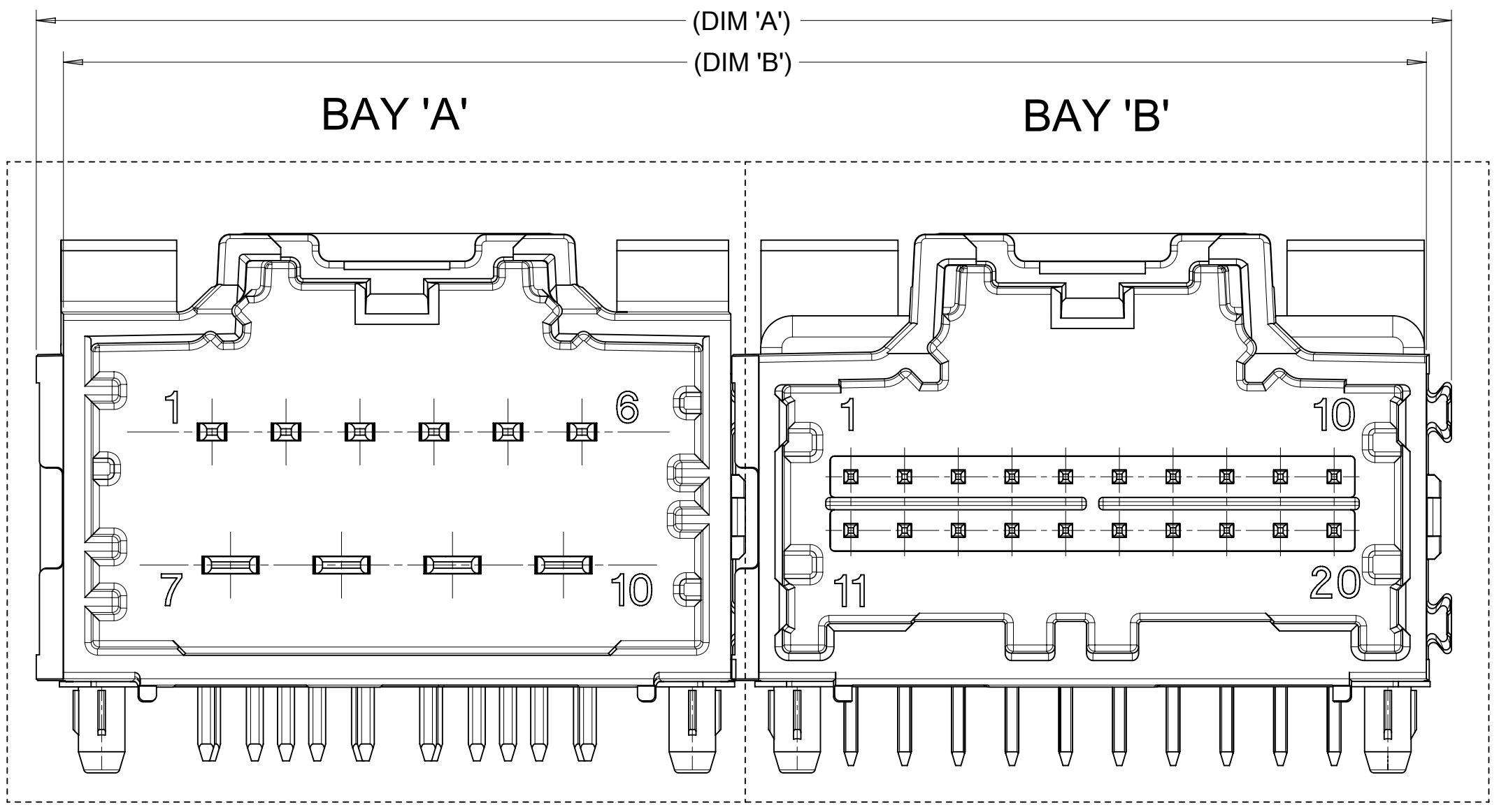
| | | | | | |
|--|---|-------|---|-----------------|--|
| FUNCTIONAL SYMBOLS FA = 0 FE = 0 FP = 0 | THIS DRAWING CONTAINS INFORMATION THAT IS PROPRIETARY TO MOLEX ELECTRONIC TECHNOLOGIES, LLC AND SHOULD NOT BE USED WITHOUT WRITTEN PERMISSION | | CURRENT REV DESC: | |  <p align="center">2-BAY STAC64 RIGHT ANGLE HEADER ASSEMBLY SALES DRAWING</p> |
| | DIMENSION UNITS | SCALE | EC NO: 679095 | | |
| | mm | 4:1 | DRWN: CZHANG118 2021/09/27 | | <p align="center">PRODUCT CUSTOMER DRAWING</p> |
| | GENERAL TOLERANCES (UNLESS SPECIFIED) | | CHK'D: CDZHANG 2021/10/08 | | |
| | ANGULAR TOL ± 3.0° | | APPR: CDZHANG 2021/10/08 | | <p align="center">DOCUMENT NUMBER</p> <p align="center">SD-34708-200</p> |
| | 4 PLACES ± | | INITIAL REVISION: | | |
| | 3 PLACES ± | | DRWN: MBAILEY 2008/08/14 | | DOC TYPE |
| | 2 PLACES ± 0.13 | | APPR: SMARCEAU 2008/08/14 | | DOC PART |
| | 1 PLACE ± 0.25 | | | | REVISION |
| | 0 PLACES ± | | | | Y5 |
| | DRAFT WHERE APPLICABLE MUST REMAIN WITHIN DIMENSIONS | | THIRD ANGLE PROJECTION | DRAWING | SHEET NUMBER |
| | | |  | D-SIZE | 2 OF 6 |
| | | | SERIES | MATERIAL NUMBER | CUSTOMER |
| | | | 34708 | SEE CHART | GENERAL MARKET |

DIMENSIONAL CHART FOR MULTIBAY CONFIGURATION:

| 2 BAY PART NUMBER (ALT TRAY) | 2 BAY PART NUMBER (TUBE PKG) | 2 BAY PART NUMBER (TRAY PKG) | BAY A | | | BAY B | | | DIM 'A' | DIM 'B' | DIM 'C' | DIM 'D' |
|---------------------------------|---------------------------------|---------------------------------|-------|--------|-----|-------|--------|-----|---------|---------|---------|---------|
| | | | CKT | TYPE | POL | CKT | TYPE | POL | | | | |
| TBD | TBD | 34708-2050 | 20 | 0.64mm | A | 16 | 0.64mm | A | 61.86 | 59.39 | 27.94 | 22.86 |
| TBD | TBD | 34708-2060 | 10 | HYBRID | B | 16 | 0.64mm | A | 61.86 | 59.39 | 27.94 | 22.86 |
| TBD | TBD | 34708-2070 | 16 | 0.64mm | A | 12 | 0.64mm | A | 51.70 | 49.23 | 22.86 | 17.78 |
| TBD | TBD | 34708-2080 | 16 | 0.64mm | A | 16 | 0.64mm | B | 56.78 | 54.31 | 22.86 | 22.86 |
| TBD | TBD | 34708-2090 | 16 | 0.64mm | B | 16 | 0.64mm | C | 56.78 | 54.31 | 22.86 | 22.86 |
| TBD | TBD | 34708-2047 | 8 | 0.64mm | A | 20 | 0.64mm | A | 51.70 | 49.23 | 12.70 | 27.94 |
| Y3 | TBD | 34708-7048 | 10 | HYBRID | A | 20 | 0.64mm | D | 66.94 | 64.47 | 27.94 | 27.94 |
| Y4 | TBD | TBD | 14 | HYBRID | A | 14 | HYBRID | B | 66.94 | 64.47 | 27.94 | 27.94 |
| Y5 | TBD | TBD | 14 | HYBRID | A | 12 | 0.64mm | A | 56.78 | 54.31 | 27.94 | 17.78 |
| Y5 | TBD | TBD | 14 | HYBRID | C | 12 | 0.64mm | B | 56.78 | 54.31 | 27.94 | 17.78 |
| | | | | | | | | | | | | |
| | | | | | | | | | | | | |
| | | | | | | | | | | | | |
| | | | | | | | | | | | | |
| | | | | | | | | | | | | |
| | | | | | | | | | | | | |
| | | | | | | | | | | | | |
| | | | | | | | | | | | | |
| | | | | | | | | | | | | |
| | | | | | | | | | | | | |
| | | | | | | | | | | | | |
| | | | | | | | | | | | | |
| | | | | | | | | | | | | |
| | | | | | | | | | | | | |
| | | | | | | | | | | | | |
| | | | | | | | | | | | | |
| | | | | | | | | | | | | |
| | | | | | | | | | | | | |
| | | | | | | | | | | | | |
| | | | | | | | | | | | | |
| | | | | | | | | | | | | |
| | | | | | | | | | | | | |
| | | | | | | | | | | | | |
| | | | | | | | | | | | | |

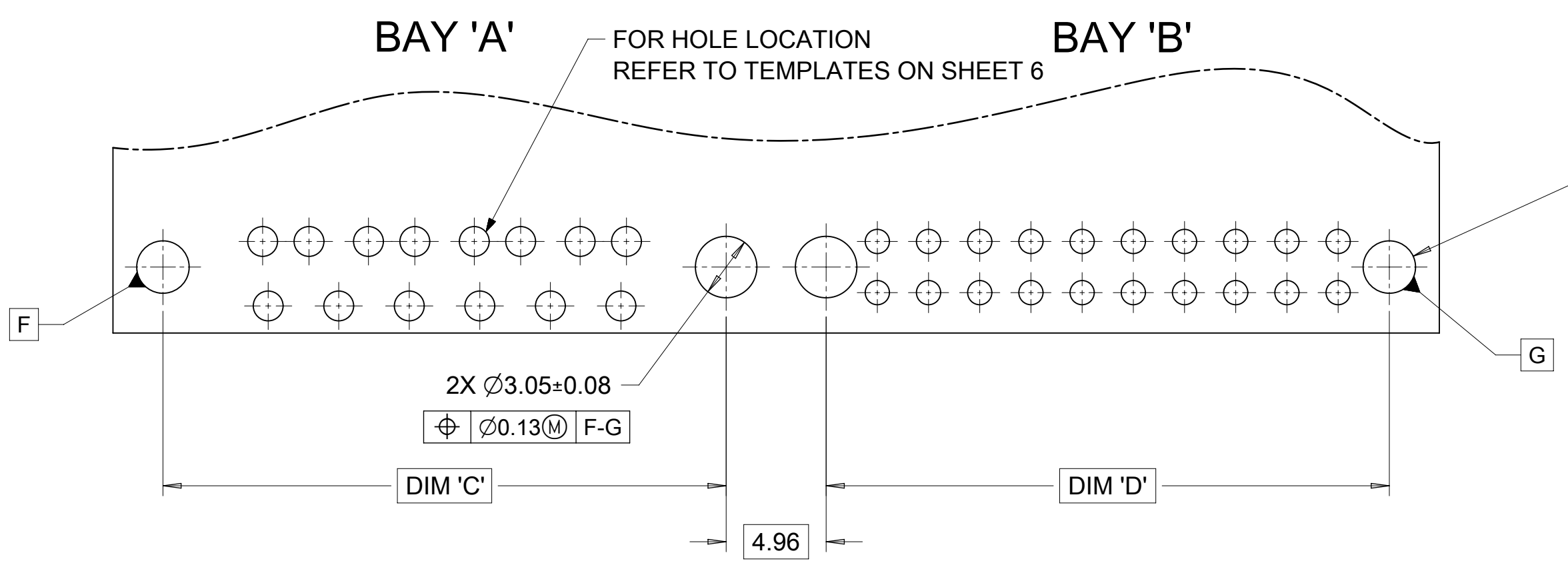
| | | | | | | | | | | | | |
|--|---|------------------------|----------------------------|-----------|-------------------|--------|---|--|--------------|-----|----------|----------|
| FUNCTIONAL SYMBOLS FA = 0 FC = 0 FP = 0 DIVISIONAL SYMBOLS | THIS DRAWING CONTAINS INFORMATION THAT IS PROPRIETARY TO MOLEX ELECTRONIC TECHNOLOGIES, LLC AND SHOULD NOT BE USED WITHOUT WRITTEN PERMISSION | | DIMENSION UNITS: mm | | SCALE: 4:1 | | CURRENT REV DESC: | | | | | |
| | GENERAL TOLERANCES (UNLESS SPECIFIED) ANGULAR TOL ± 3.0° 4 PLACES ± 3 PLACES ± 2 PLACES ± 0.13 1 PLACE ± 0.25 0 PLACES ± | | | | | | | EC NO: 679095 DRWN: CZHANG118 2021/09/27 CHK'D: CDZHANG 2021/10/08 APPR: CDZHANG 2021/10/08 INITIAL REVISION: DRWN: MBAILEY 2008/08/14 APPR: SMARCEAU 2008/08/14 | | | | |
| | | | | | | | | | | | | |
| | | | | | | | 2-BAY STAC64 RIGHT ANGLE HEADER ASSEMBLY SALES DRAWING | | | | | |
| | | | | | | | PRODUCT CUSTOMER DRAWING | | | | | |
| | | | | | | | DOCUMENT NUMBER | | DOC TYPE | | DOC PART | REVISION |
| | | | | | | | SD-34708-200 | | PSD | 001 | Y5 | |
| DRAFT WHERE APPLICABLE MUST REMAIN WITHIN DIMENSIONS | | THIRD ANGLE PROJECTION | | | DRAWING | SERIES | MATERIAL NUMBER | CUSTOMER | SHEET NUMBER | | | |
| | | D-SIZE | 34708 | SEE CHART | GENERAL MARKET | 3 OF 6 | | | | | | |

| TABLE OF CONTENTS | |
|-------------------|--|
| 2 | BAY ASSEMBLY VIEW, RECOMMENDED PCB LAYOUT, FLUSH MOUNTING VIEW, POST HOLE TABLE, DIMENSION DETAILS |



| | |
|-----------------|-----------|
| FOR DIM G: | |
| 8-20CKT 0.64mm | 18.40 MAX |
| 10/14CKT Hybrid | 18.59 MAX |

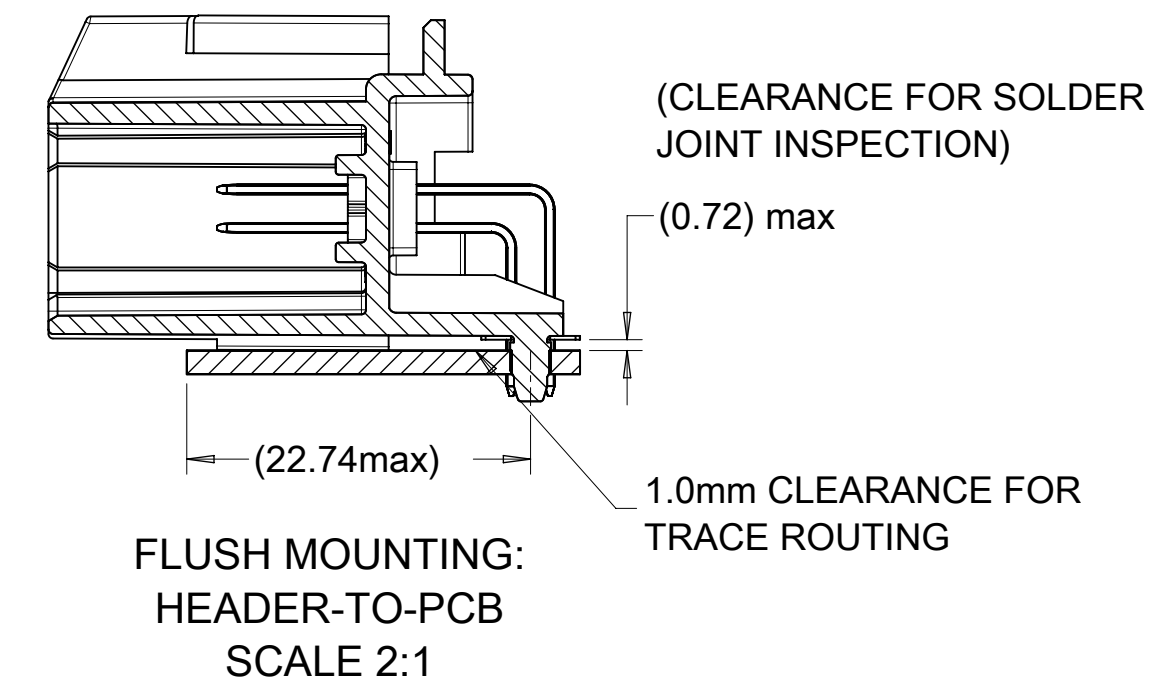
RECOMMENDED PCB LAYOUT
INSERT NECESSARY BAYS USING CHART ON SHEET 2 AND 3



POST HOLE TABLE:

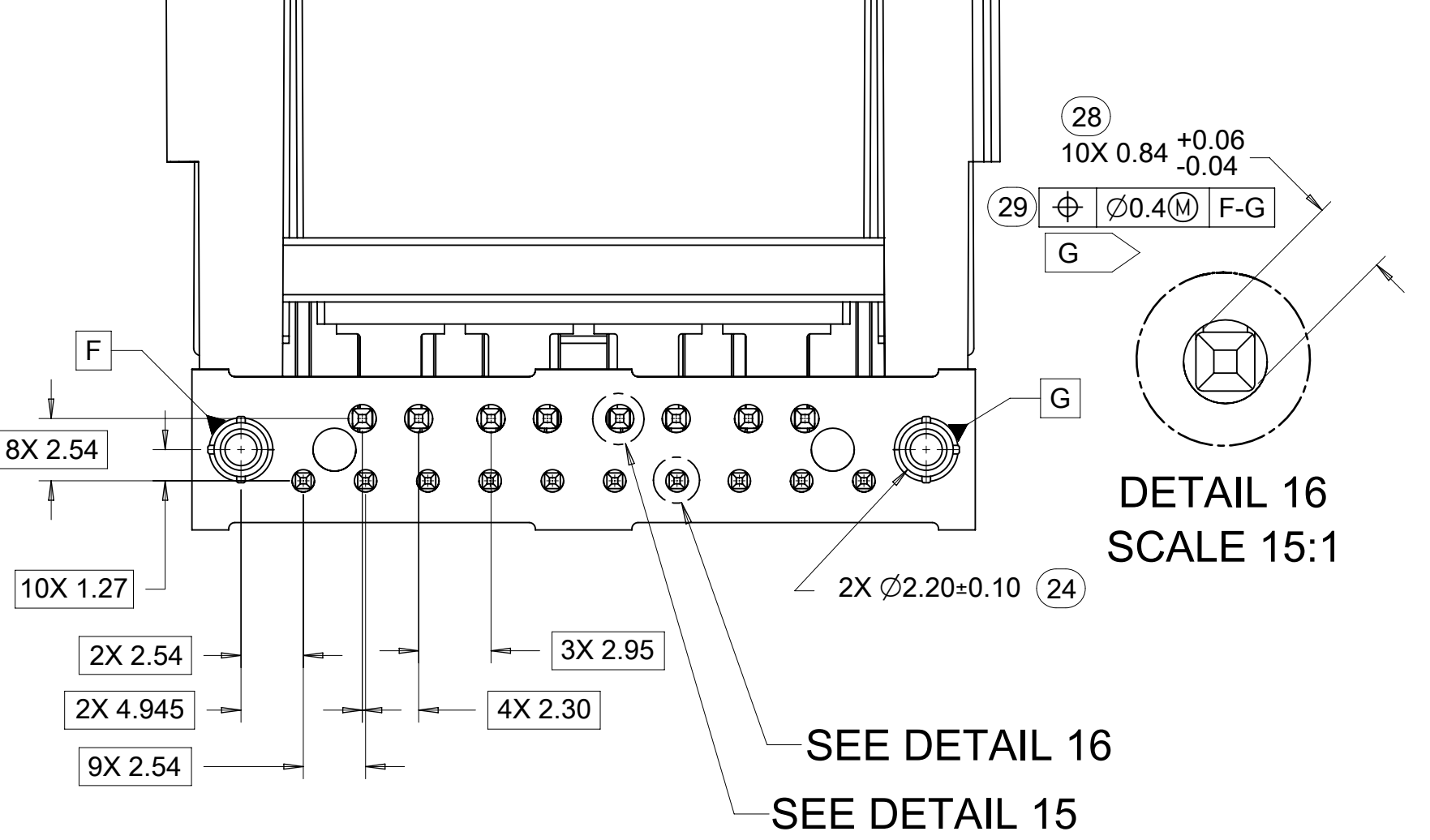
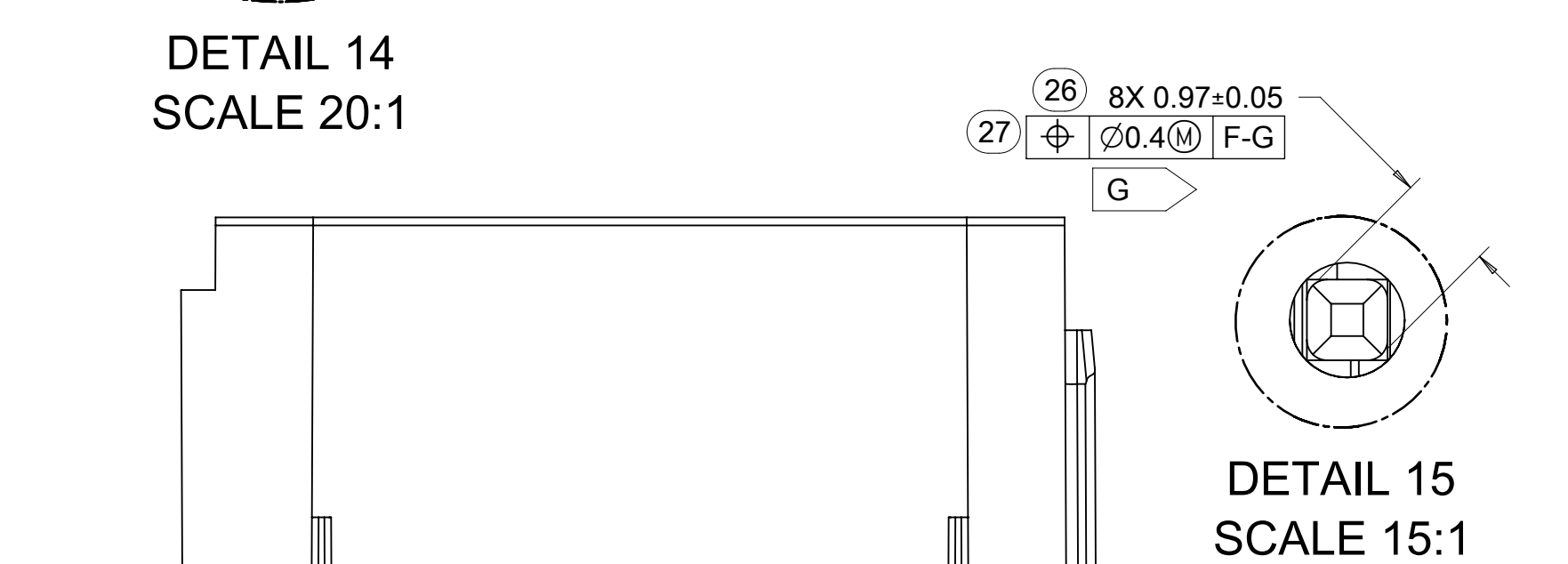
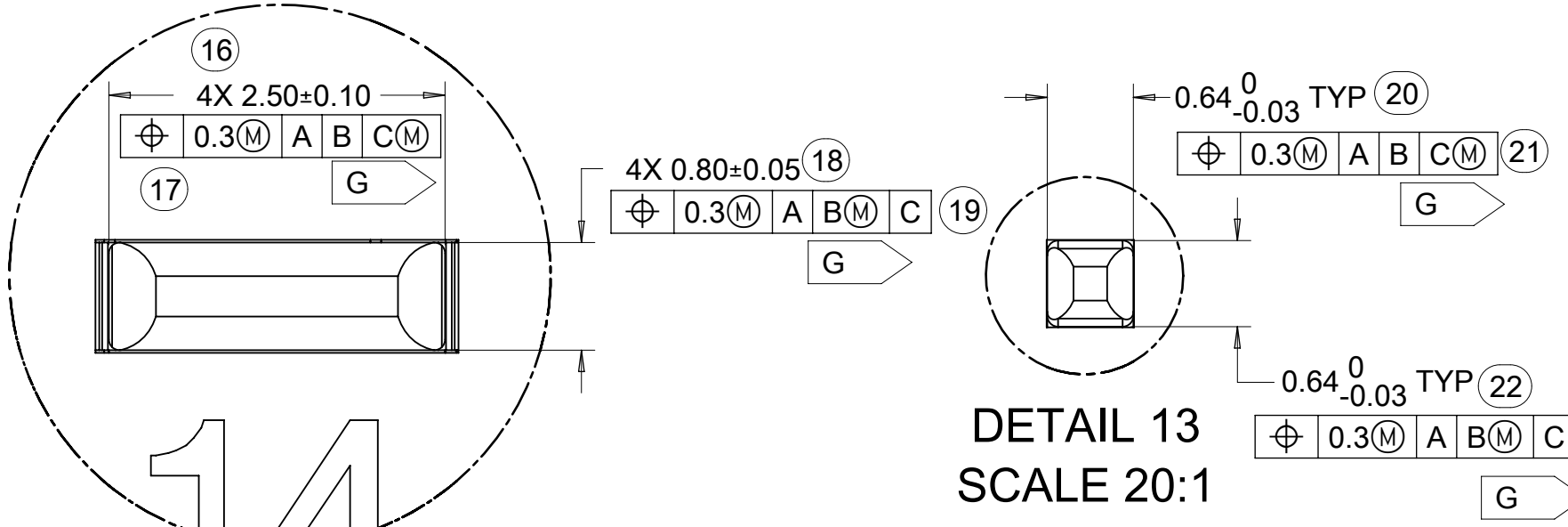
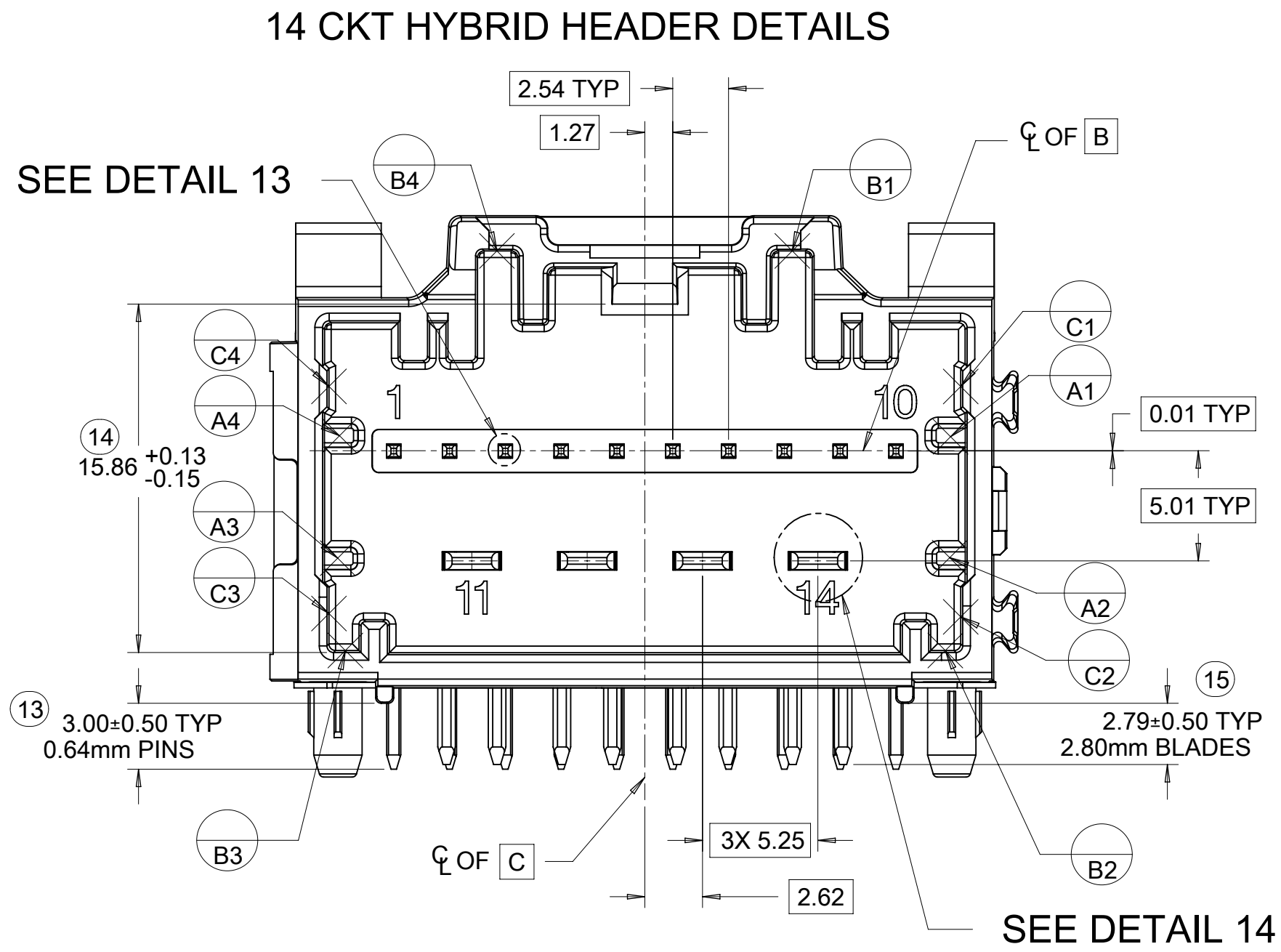
| | |
|------------|------|
| FOR DIM Z: | |
| PRESS FIT: | 2.60 |
| DROP IN: | 3.05 |

ALL CIRCUIT OPTIONS

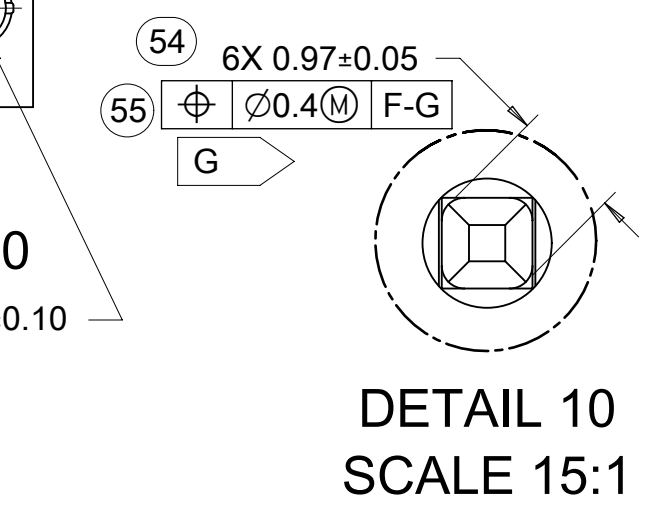
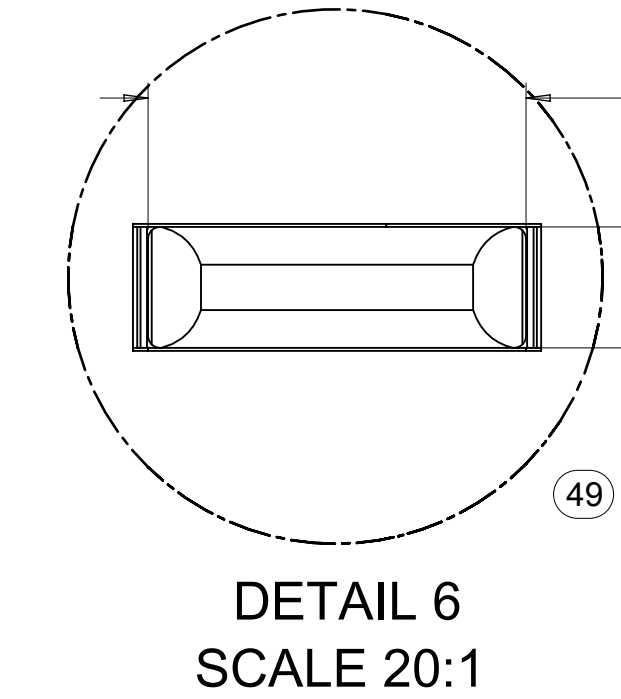
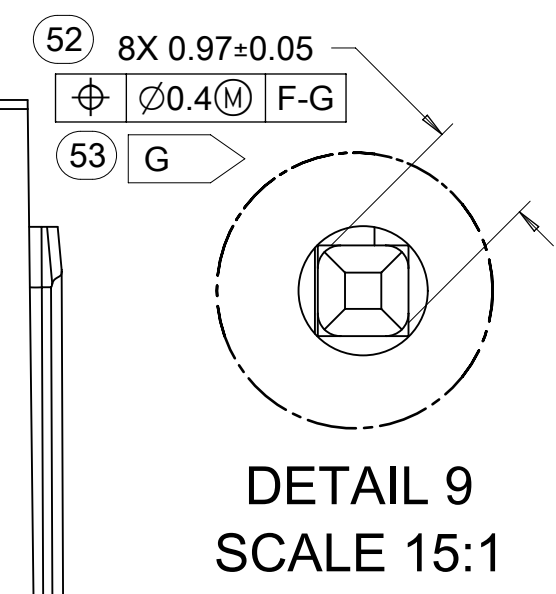
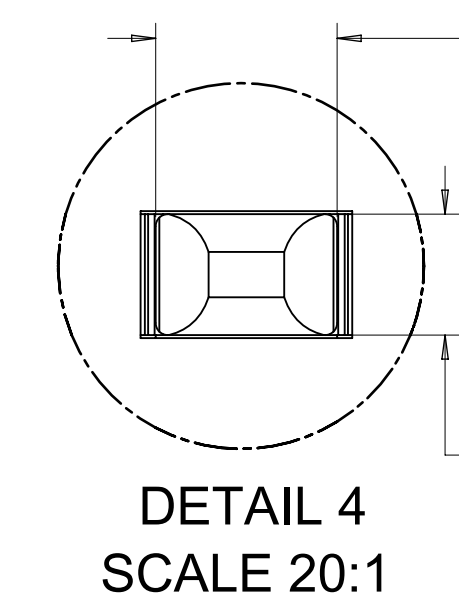
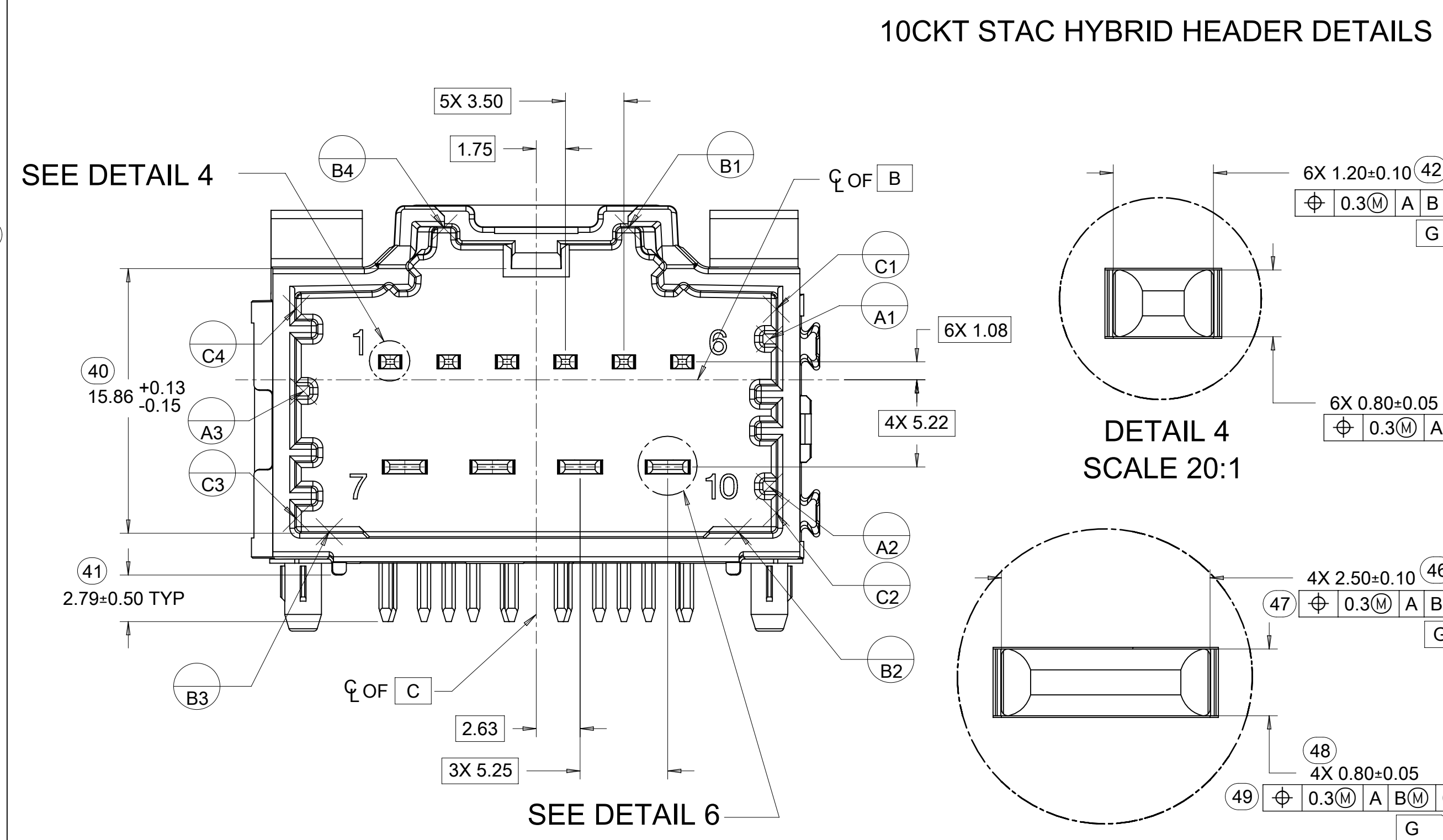
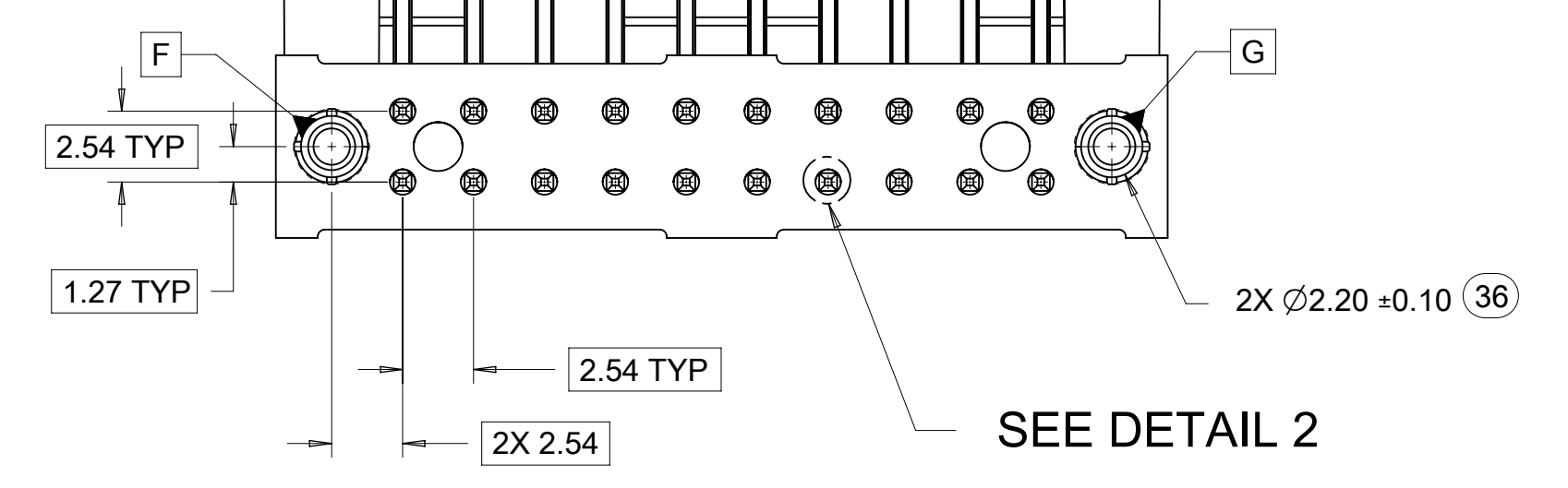
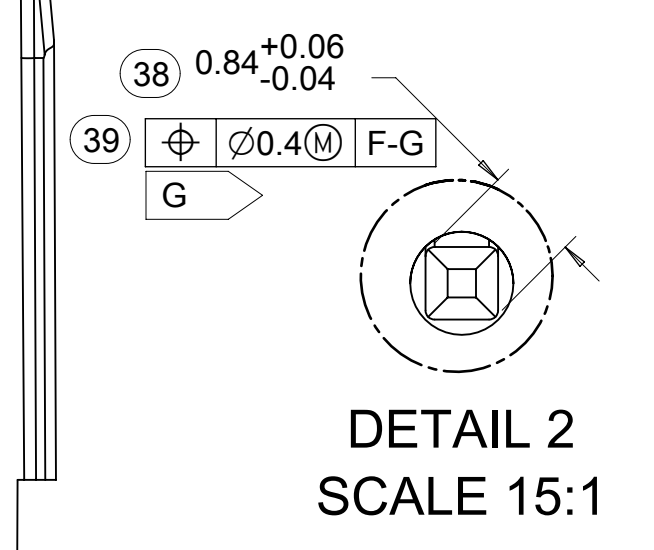
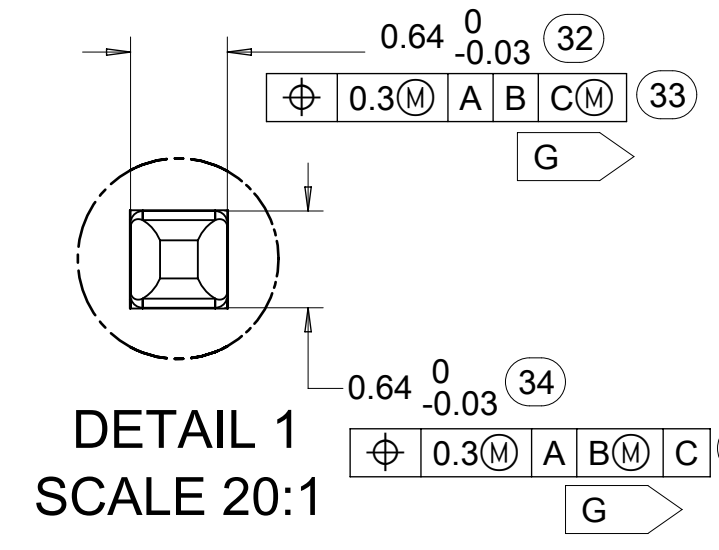
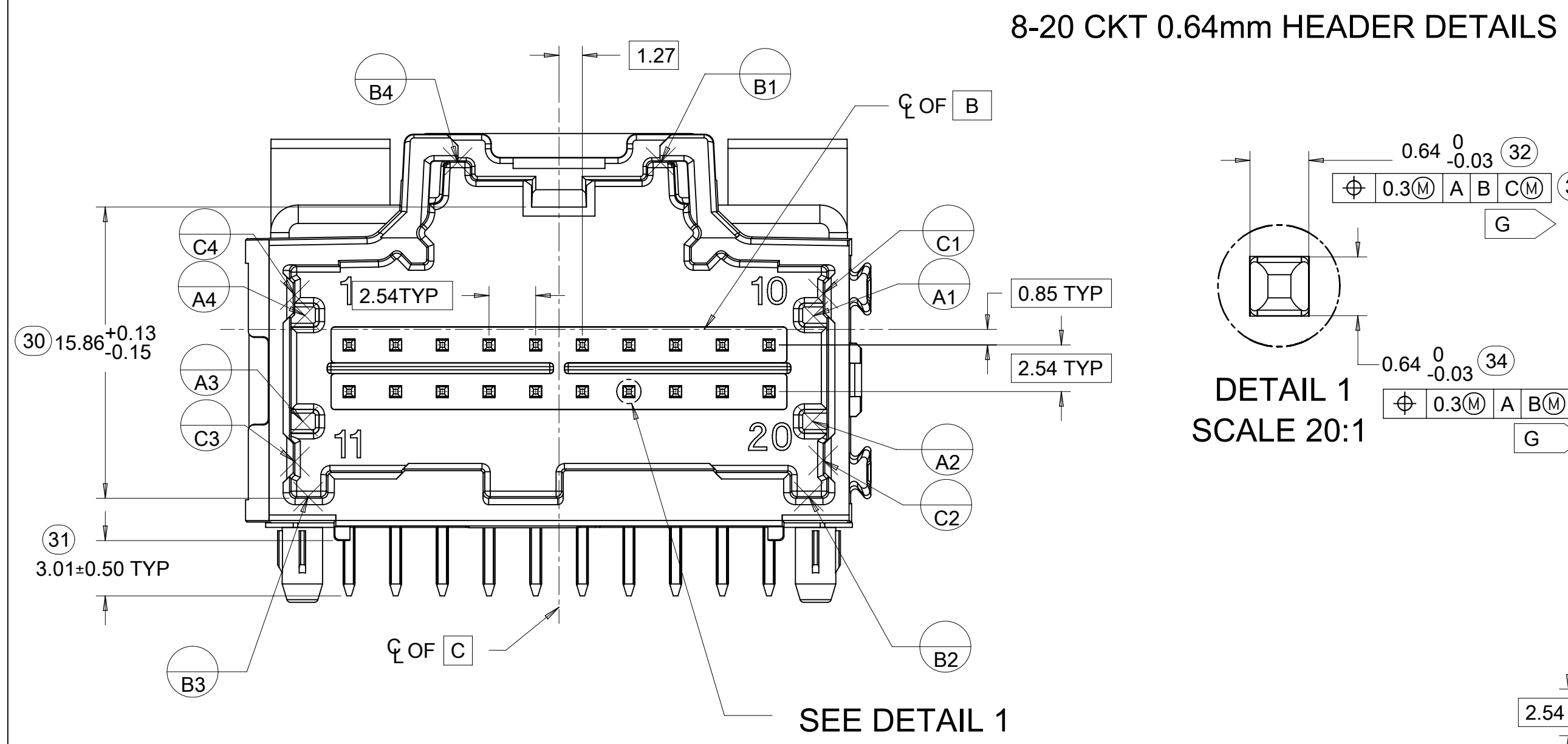


| | | | | | | |
|--|---|---|---|--|----------------------|--|
| FUNCTIONAL SYMBOLS FA = 0 FE = 0 FP = 0 DIVISIONAL SYMBOLS | THIS DRAWING CONTAINS INFORMATION THAT IS PROPRIETARY TO MOLEX ELECTRONIC TECHNOLOGIES, LLC AND SHOULD NOT BE USED WITHOUT WRITTEN PERMISSION | DIMENSION UNITS: mm SCALE: 4:1 | CURRENT REV DESC: EC NO: 679095 DRWN: CZHANG118 2021/09/27 CHK'D: CDZHANG 2021/10/08 APPR: CDZHANG 2021/10/08 | | | |
| | GENERAL TOLERANCES (UNLESS SPECIFIED) ANGULAR TOL ± 3.0° 4 PLACES ± 3 PLACES ± 2 PLACES ± 0.13 1 PLACE ± 0.25 0 PLACES ± | DRWN: MBAILEY 2008/08/14 APPR: SMARCEAU 2008/08/14 | PRODUCT CUSTOMER DRAWING DOCUMENT NUMBER: SD-34708-200 DOC TYPE: PSD DOC PART: 001 REVISION: Y5 | | | |
| | DRAFT WHERE APPLICABLE MUST REMAIN WITHIN DIMENSIONS | THIRD ANGLE PROJECTION | DRAWING: D-SIZE SERIES: 34708 | MATERIAL NUMBER: SEE CHART CUSTOMER: GENERAL MARKET | SHEET NUMBER: 4 OF 6 | |

| | | | | | | | | | | | | | | | | | | |
|-------------------|---|----|----|----|----|----|----|----|----|---|---|---|---|---|---|---|---|---|
| 19 | 18 | 17 | 16 | 15 | 14 | 13 | 12 | 11 | 10 | 9 | 8 | 7 | 6 | 5 | 4 | 3 | 2 | 1 |
| TABLE OF CONTENTS | | | | | | | | | | | | | | | | | | |
| 5 | 8-20CKT 0.64MM HEADER DETAILS, 14CKT HYBRID HEADER DETAILS, 10CKT HYBRID HEADER DETAILS | | | | | | | | | | | | | | | | | |

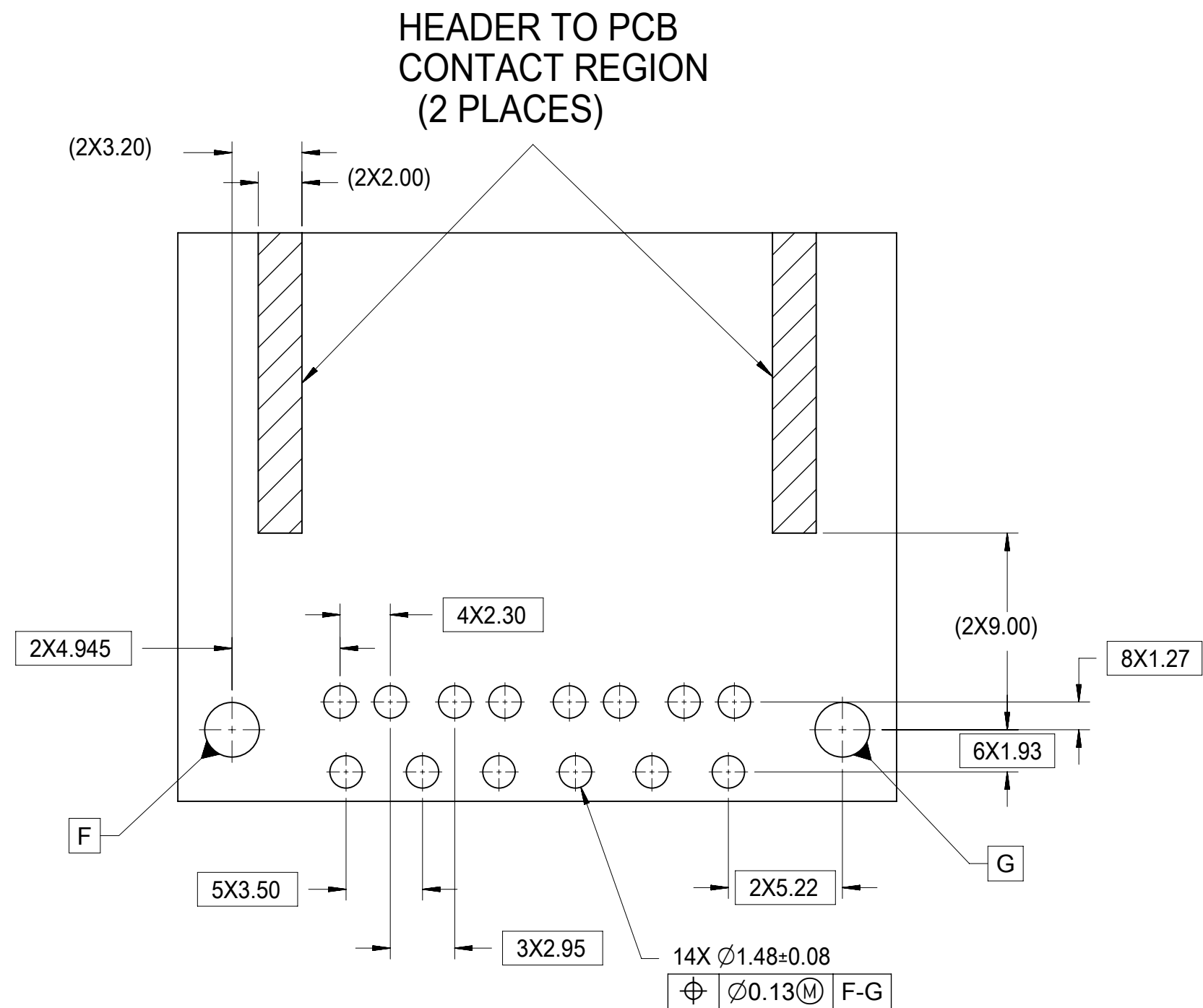


| | | | | |
|-----------------|----|--------------|------------|----------|
| DOCUMENT STATUS | P1 | RELEASE DATE | 2021/10/08 | 03:36:02 |
|-----------------|----|--------------|------------|----------|

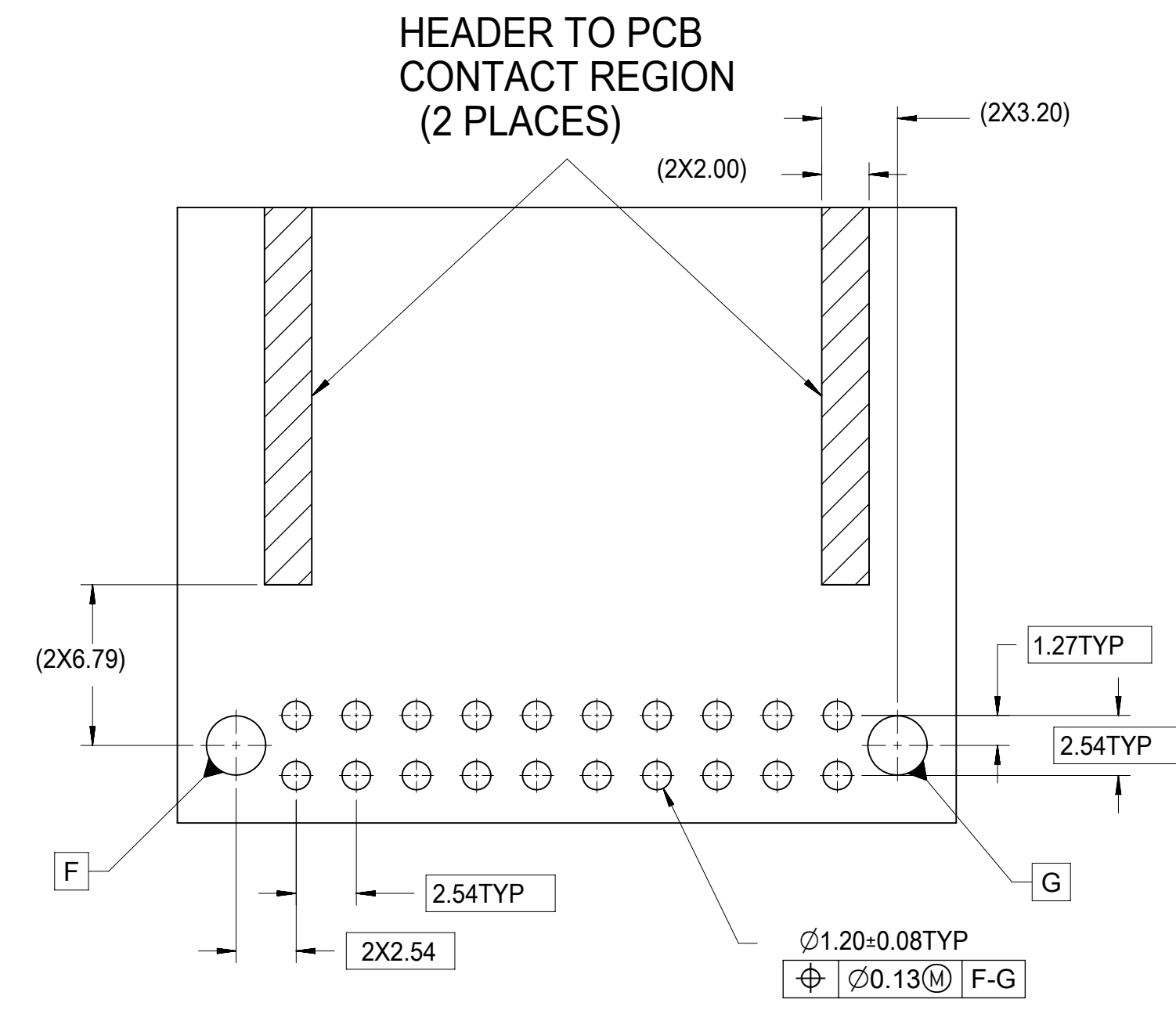


| | | | | |
|--|---|---------------------------------------|----------------|----------------------------|
| FUNCTIONAL SYMBOLS | THIS DRAWING CONTAINS INFORMATION THAT IS PROPRIETARY TO MOLEX ELECTRONIC TECHNOLOGIES, LLC AND SHOULD NOT BE USED WITHOUT WRITTEN PERMISSION | | | |
| | FA = 0 | mm | SCALE 4:1 | |
| DIVISIONAL SYMBOLS | CURRENT REV DESC: | | | |
| | FC = 0 | GENERAL TOLERANCES (UNLESS SPECIFIED) | | |
| FUNCTIONAL SYMBOLS | FP = 0 | ANGULAR TOL | ± 3.0° | |
| | DIVISIONAL SYMBOLS | 4 PLACES | ± | EC NO: 679095 |
| | | 3 PLACES | ± | DRWN: CZHANG118 2021/09/27 |
| | | 2 PLACES | ± 0.13 | CHK'D: CDZHANG 2021/10/08 |
| | | 1 PLACE | ± 0.25 | APPR: CDZHANG 2021/10/08 |
| 0 PLACES | ± | INITIAL REVISION: | | |
| FUNCTIONAL SYMBOLS | DRWN: MBAILEY 2008/08/14 | 2008/08/14 | 2008/08/14 | |
| | APPR: SMARCEAU 2008/08/14 | 2008/08/14 | 2008/08/14 | |
| DRAFT WHERE APPLICABLE MUST REMAIN WITHIN DIMENSIONS | | THIRD ANGLE PROJECTION | DRAWING SERIES | |
| | | D-DRAWING | 34708 | |
| DOCUMENT NUMBER | | DOC TYPE | DOC PART | |
| SD-34708-200 | | PSD | 001 | |
| CUSTOMER | | REVISION | | |
| GENERAL MARKET | | Y5 | | |
| MATERIAL NUMBER | | SHEET NUMBER | | |
| SEE CHART | | 5 OF 6 | | |

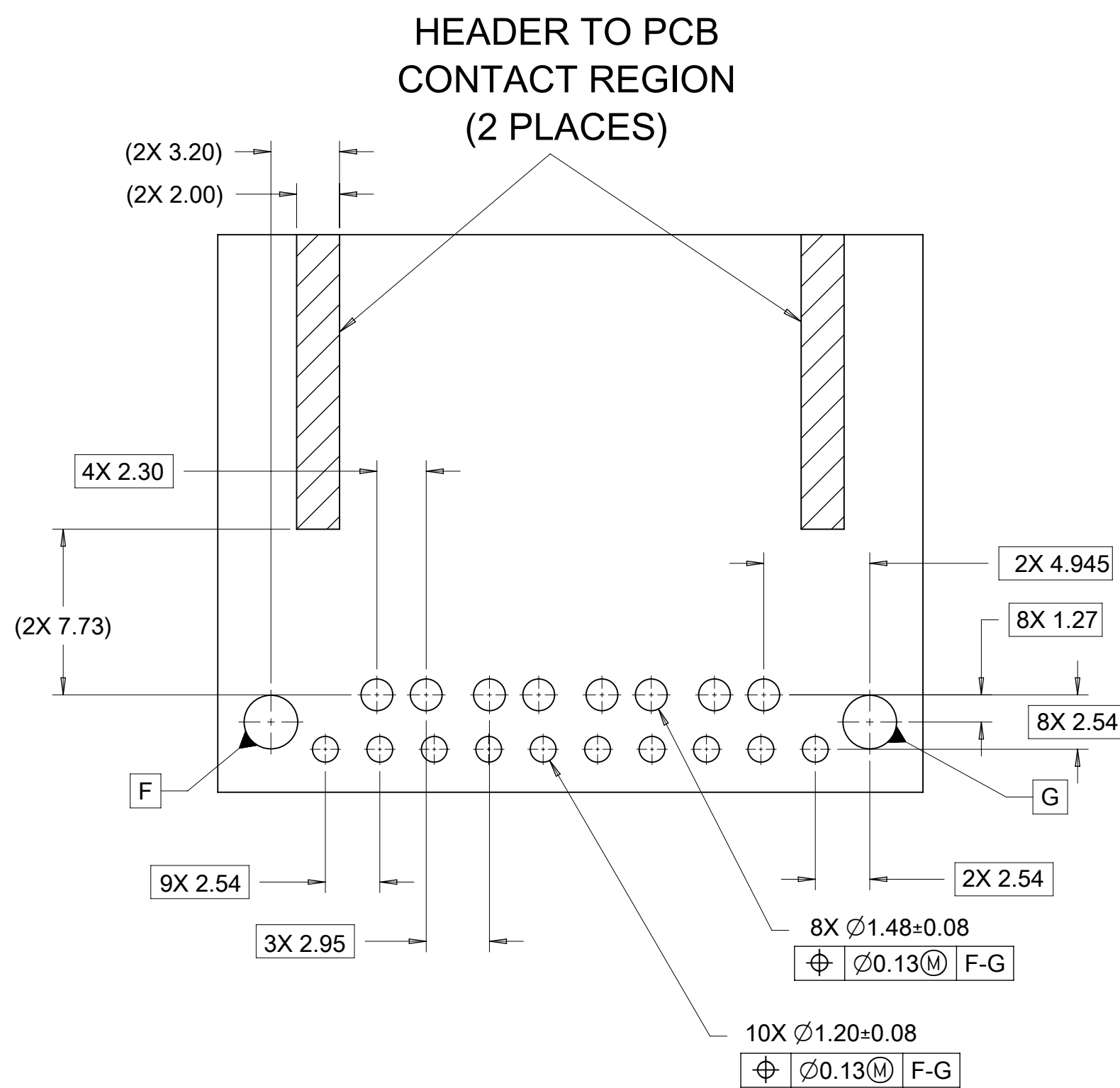
10 CKT HYBRID TEMPLATE PCB LAYOUT



8-20CKT 0.64mm TEMPLATE PCB LAYOUT



14 CKT HYBRID TEMPLATE PCB LAYOUT



| | | | |
|--|---|------------------------|----------------------------|
| FUNCTIONAL SYMBOLS | THIS DRAWING CONTAINS INFORMATION THAT IS PROPRIETARY TO MOLEX ELECTRONIC TECHNOLOGIES, LLC AND SHOULD NOT BE USED WITHOUT WRITTEN PERMISSION | | |
| | DIMENSION UNITS | SCALE | CURRENT REV DESC: |
| $\nabla_A = 0$ | mm | 4:1 | |
| $\nabla_C = 0$ | GENERAL TOLERANCES (UNLESS SPECIFIED) | | |
| $\nabla_P = 0$ | ANGULAR TOL ± 3.0° | | |
| DIVISIONAL SYMBOLS | 4 PLACES | ± | EC NO: 679095 |
| | 3 PLACES | ± | DRWN: CZHANG118 2021/09/27 |
| | 2 PLACES | ± 0.13 | CHK'D: CDZHANG 2021/10/08 |
| | 1 PLACE | ± 0.25 | APPR: CDZHANG 2021/10/08 |
| | 0 PLACES | ± | INITIAL REVISION: |
| DRAFT WHERE APPLICABLE MUST REMAIN WITHIN DIMENSIONS | | THIRD ANGLE PROJECTION | DRWING |
| | | | SERIES |
| | | D-SIZE | 34708 |
| | | MATERIAL NUMBER | CUSTOMER |
| | | SEE CHART | GENERAL MARKET |
| | | DOCUMENT NUMBER | DOC TYPE DOC PART REVISION |
| | | SD-34708-200 | PSD 001 Y5 |
| | | SHEET NUMBER | 6 OF 6 |