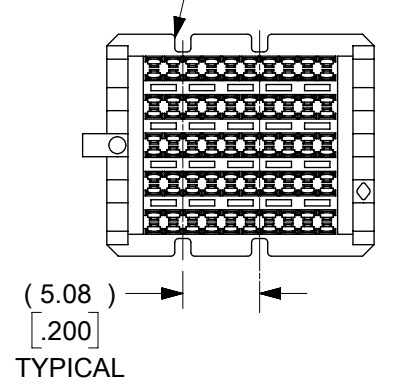
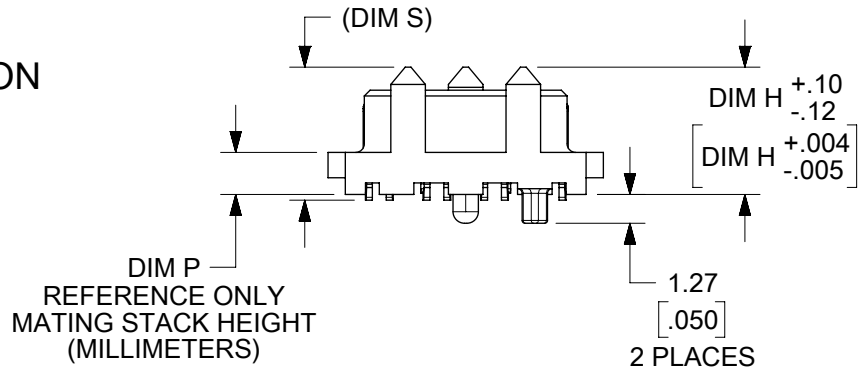
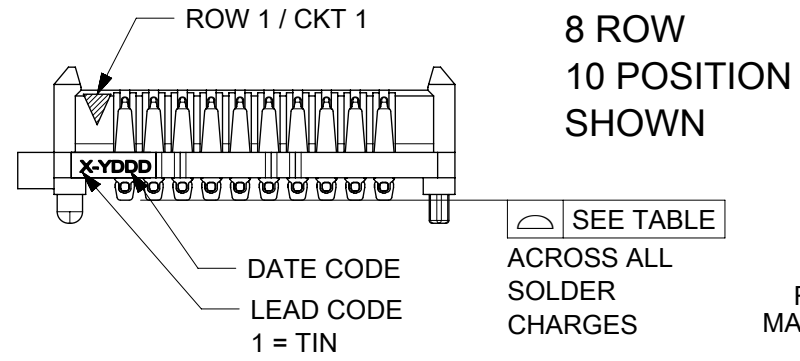


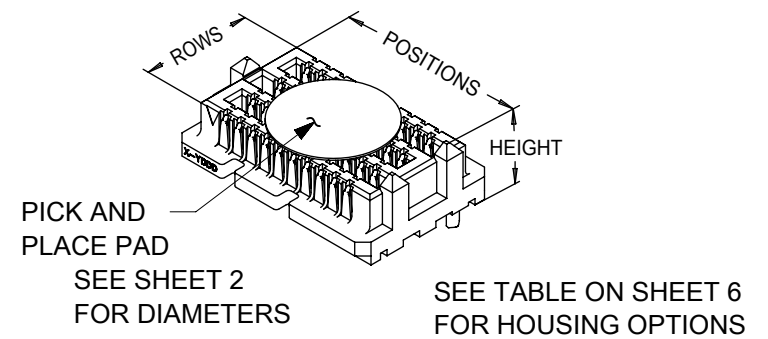
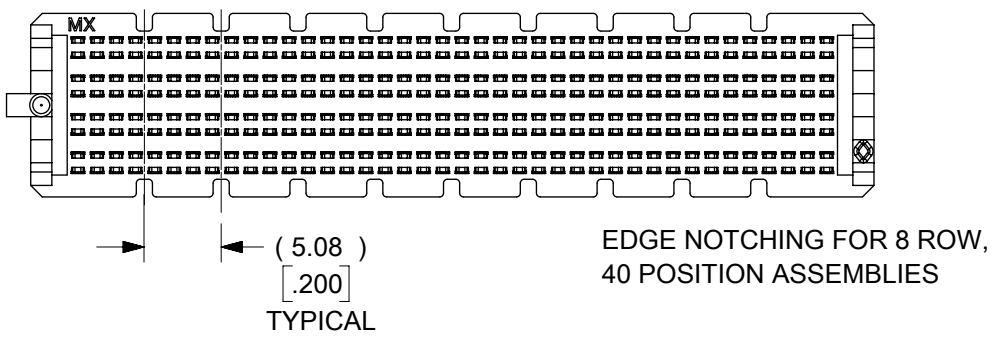
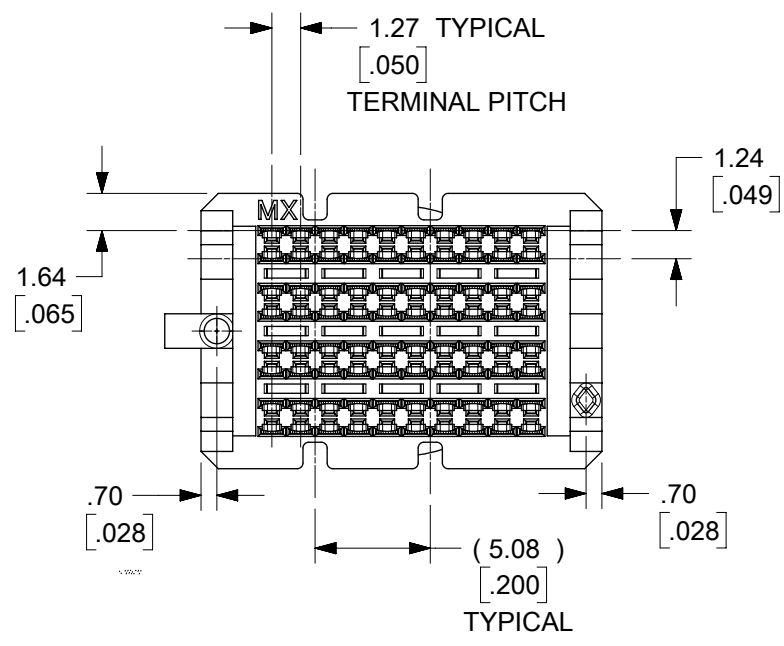
- NOTES:
- MATERIAL: HOUSING: GLASS FILLED LCP (LIQUID CRYSTAL POLYMER), UL94V-0, BLACK
CONTACTS: COPPER ALLOY
SOLDER CHARGE: 95.5% TIN, 3.8% SILVER, 0.7% COPPER
 - FINISH: ALL DIM P HEIGHT OPTIONS - SELECT GOLD IN CONTACT AREA: 30 MICROINCH MINIMUM
DIM P HEIGHT OPTIONS 2.0 & 2.5: SELECT GOLD FLASH ON TAIL, 7 MICROINCH MINIMUM
DIM P HEIGHT OPTIONS 3.0 THRU 7.0: SELECT TIN ON TAIL, 50 MICROINCH MINIMUM
ALL OPTIONS - NICKEL UNDERPLATE OVERALL ON TAIL
 - PRODUCT SPECIFICATION: PS-45970-001
 - PACKAGING SPECIFICATION: PK-45970-002 (TAPE AND REEL)
 - MATES WITH SEARAY RECEPTACLE ASSEMBLY SERIES 45971
 - APPLICATION SPECIFICATION; AS-45970-001
 - COSMETIC SPECIFICATION: PS-45499-002 CLASS B
 - PART STATUS: CONTACT MOLEX

EDGE NOTCHES - SEE TABLE
(THE NUMBER OF NOTCHES INCREASES AS THE NUMBER OF POSITIONS INCREASES)



POSITIONS	TOTAL NUMBER OF EDGE NOTCHES			D
	8 ROW	6 ROW	10 ROW	
10	4	4	4	0.15/.006
15	6	6	6	
20	10	10	10	
25	12	12	12	
30	14	14	14	
35	16	16	16	
40	18	20	20	0.23/.009
*40	-	-	*24	
45	22	22	22	
50	24	24	24	
**50	-	-	**28	

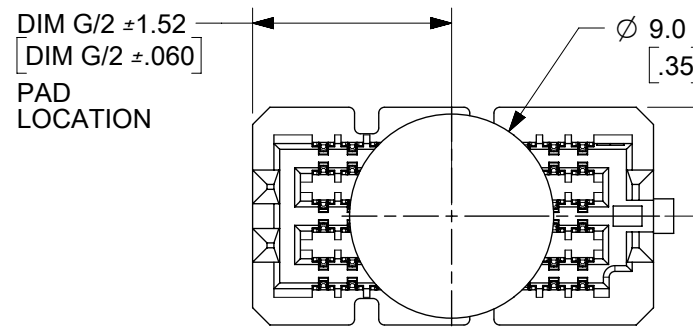
*FOR 45970-4916
**FOR 45970-5916



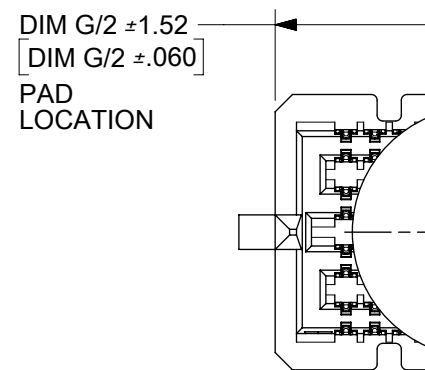
SEE OTHER EDGE NOTCHING VIEWS
SEE SHEET 3
FOR 6 ROW OPTION

THIS DRAWING CONTAINS INFORMATION THAT IS PROPRIETARY TO MOLEX ELECTRONIC TECHNOLOGIES, LLC AND SHOULD NOT BE USED WITHOUT WRITTEN PERMISSION

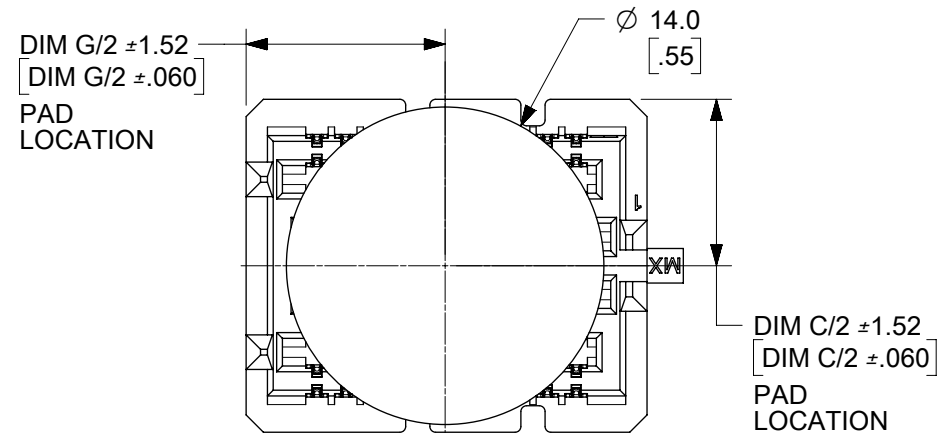
DIMENSION UNITS mm	SCALE 4:1	CURRENT REV DESC:		molex		
GENERAL TOLERANCES (UNLESS SPECIFIED)		EC NO: 651917				
ANGULAR TOL ± °		DRWN: HCGOH 2020/12/18		PRODUCT CUSTOMER DRAWING		
4 PLACES ±		CHK'D: CLHOE01 2020/12/22		DOCUMENT NUMBER		
3 PLACES ±		APPR: SHONG 2020/12/31		SD-45970-001		
2 PLACES ± 0.25		INITIAL REVISION:		DOC TYPE	DOC PART	REVISION
1 PLACE ± 0.38		DRWN: TGREGORI 2006/01/25		PSD	001	U1
0 PLACES ±		APPR: JCOMERCI 2006/01/30		SHEET NUMBER		
DRAFT WHERE APPLICABLE MUST REMAIN WITHIN DIMENSIONS	THIRD ANGLE PROJECTION	DRAWING	SERIES	MATERIAL NUMBER	CUSTOMER	
		B-SIZE	45970	SEE TABLE	GENERAL MARKET	1 OF 7



6 ROW OPTION

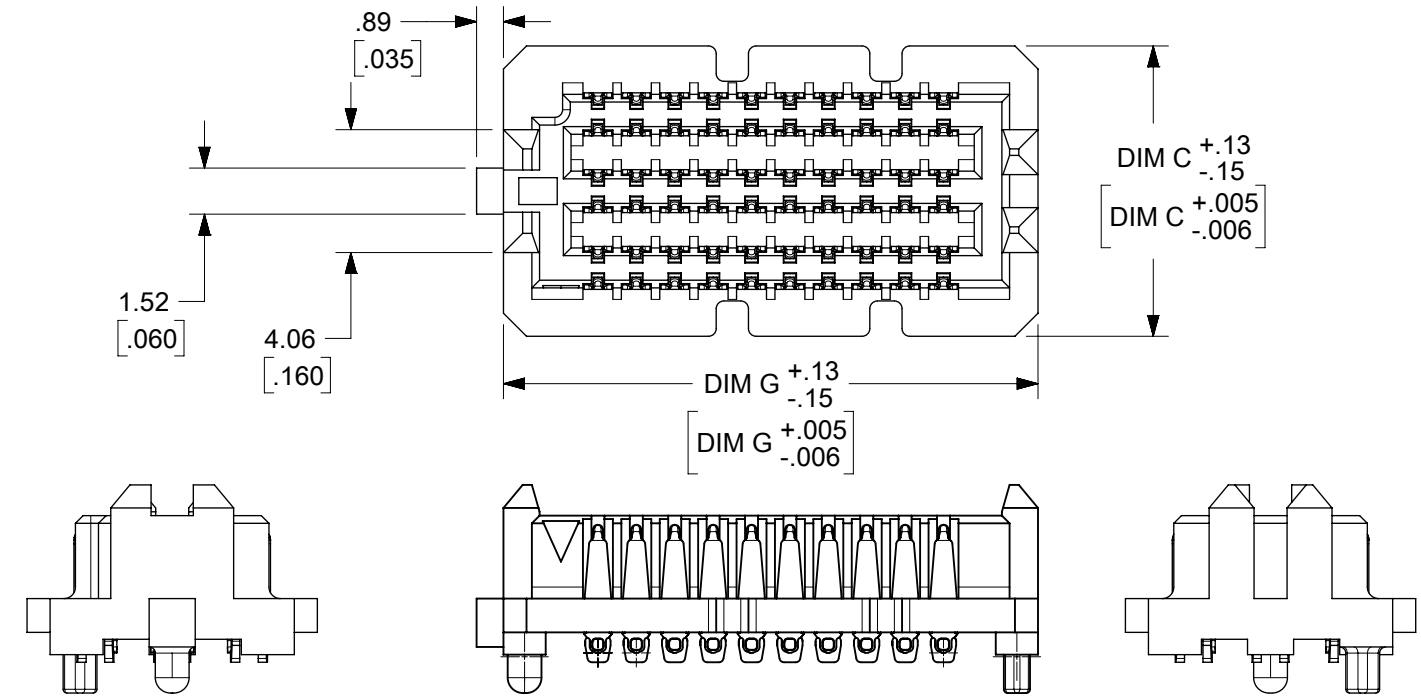


8 ROW OPTION



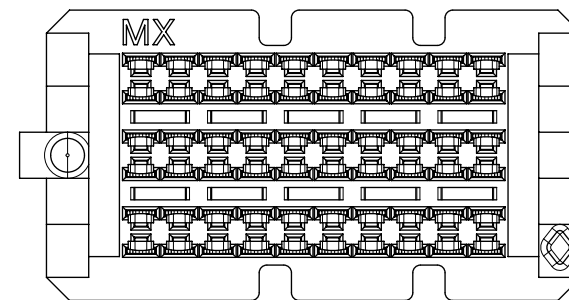
10 ROW OPTION

PICK AND PLACE
PAD DIAMETERS
10 POSITION VERSIONS SHOWN

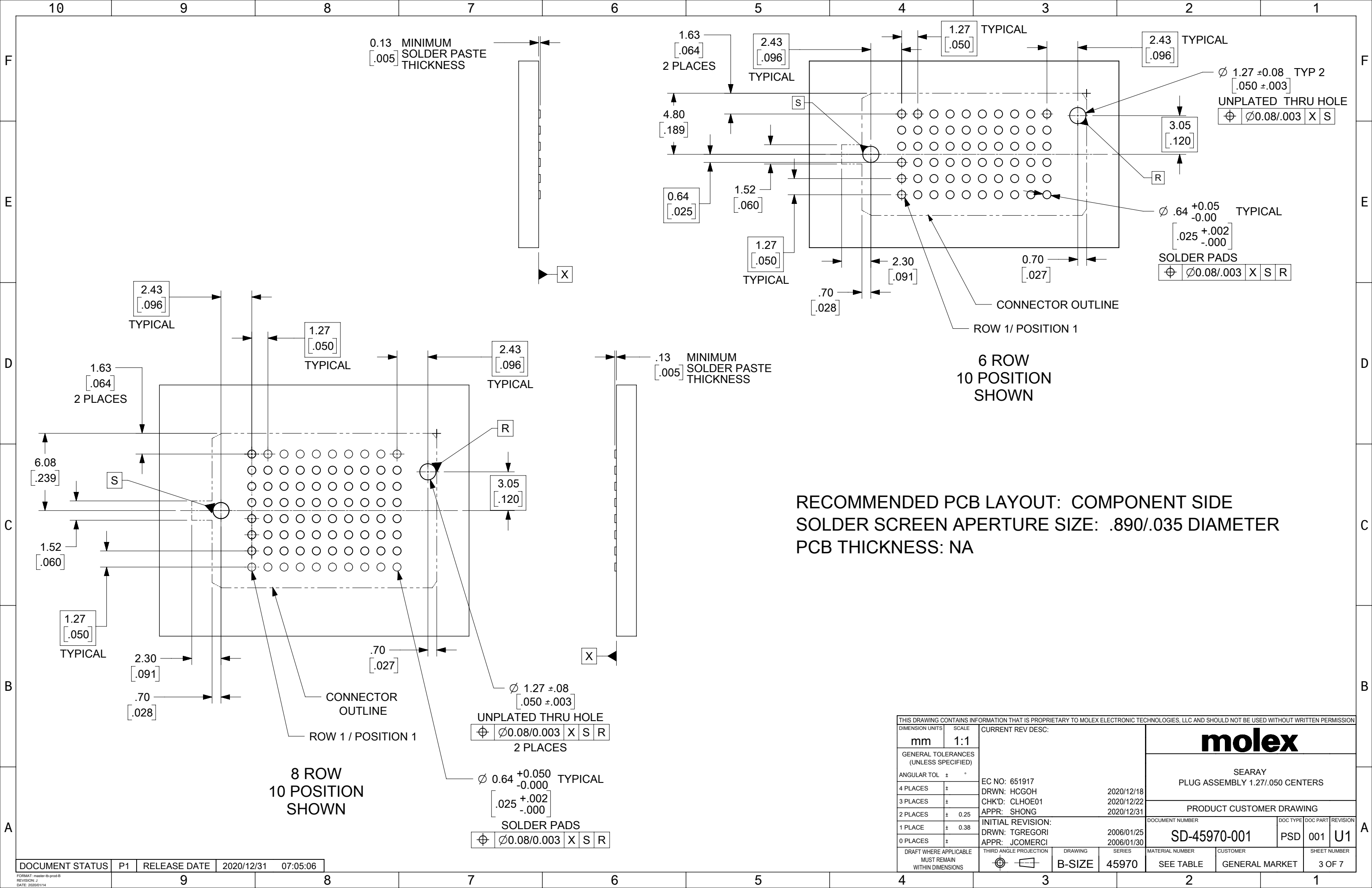


6 ROW OPTION
10 POSITION VERSION
SHOWN FOR REFERENCE

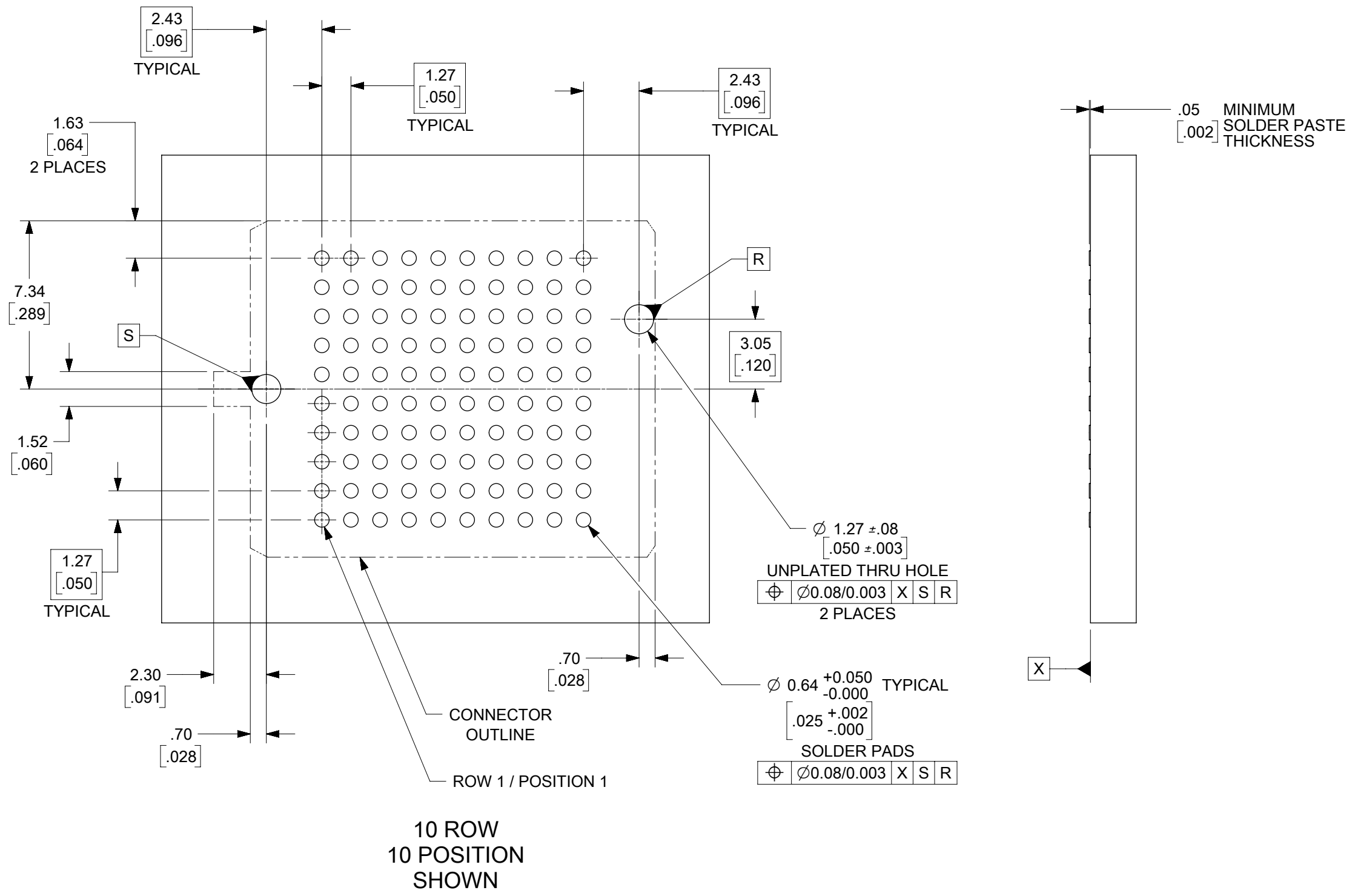
DIMENSIONS SHOWN ON
OTHER SHEETS APPLY TO
THE 6 ROW OPTION ALSO
(EXCEPT AS OTHERWISE
NOTED ON THIS SHEET)



THIS DRAWING CONTAINS INFORMATION THAT IS PROPRIETARY TO MOLEX ELECTRONIC TECHNOLOGIES, LLC AND SHOULD NOT BE USED WITHOUT WRITTEN PERMISSION											
DIMENSION UNITS mm		SCALE 2:1		CURRENT REV DESC:						molex	
GENERAL TOLERANCES (UNLESS SPECIFIED)		ANGULAR TOL ± °		EC NO: 651917 DRWN: HCGOH 2020/12/18 CHK'D: CLHOE01 2020/12/22 APPR: SHONG 2020/12/31							
4 PLACES ±		3 PLACES ±		2 PLACES ± 0.25		1 PLACE ± 0.38		0 PLACES ±		INITIAL REVISION: DRWN: TGREGORI 2006/01/25 APPR: JCOMERCI 2006/01/30	
DRAFT WHERE APPLICABLE MUST REMAIN WITHIN DIMENSIONS		THIRD ANGLE PROJECTION		DRAWING B-SIZE		SERIES 45970		MATERIAL NUMBER SEE TABLE		CUSTOMER GENERAL MARKET	
DOCUMENT STATUS		P1		RELEASE DATE		2020/12/31 07:05:06		DOCUMENT NUMBER SD-45970-001		DOC TYPE DOC PART REVISION PSD 001 U1	
SHEET NUMBER		2 OF 7									

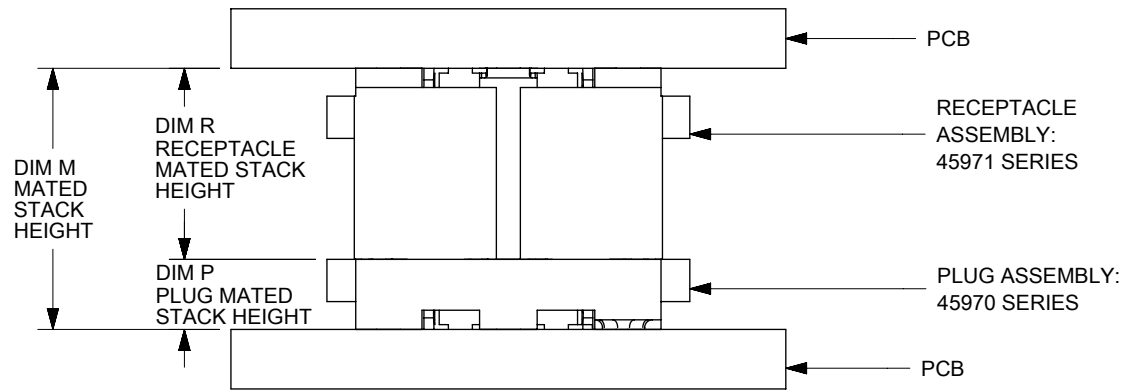


THIS DRAWING CONTAINS INFORMATION THAT IS PROPRIETARY TO MOLEX ELECTRONIC TECHNOLOGIES, LLC AND SHOULD NOT BE USED WITHOUT WRITTEN PERMISSION									
DIMENSION UNITS	SCALE	CURRENT REV DESC:							
mm	1:1	molex SEARAY PLUG ASSEMBLY 1.27/.050 CENTERS PRODUCT CUSTOMER DRAWING							
GENERAL TOLERANCES (UNLESS SPECIFIED)									
ANGULAR TOL	± °								
4 PLACES	±								
3 PLACES	±								
2 PLACES	± 0.25	EC NO: 651917	2020/12/18	DOCUMENT NUMBER					
1 PLACE	± 0.38	DRWN: HCGOH	2020/12/22	SD-45970-001					
0 PLACES	±	CHK'D: CLHOE01	2020/12/31	DOC TYPE DOC PART REVISION					
DRAFT WHERE APPLICABLE MUST REMAIN WITHIN DIMENSIONS		APPR: SHONG	2020/12/31	INITIAL REVISION:		CUSTOMER			
		DRWN: TREGORI	2006/01/25	2006/01/30		GENERAL MARKET		SHEET NUMBER	
		APPR: JCOMERCI	2006/01/30			SEE TABLE		3 OF 7	
THIRD ANGLE PROJECTION		DRAWING	SERIES	MATERIAL NUMBER		CUSTOMER		SHEET NUMBER	
		B-SIZE	45970	SEE TABLE		GENERAL MARKET		3 OF 7	



RECOMMENDED PCB LAYOUT: COMPONENT SIDE
 SOLDER SCREEN APERTURE SIZE: .890/.035 DIAMETER
 PCB THICKNESS: NA

THIS DRAWING CONTAINS INFORMATION THAT IS PROPRIETARY TO MOLEX ELECTRONIC TECHNOLOGIES, LLC AND SHOULD NOT BE USED WITHOUT WRITTEN PERMISSION										
DIMENSION UNITS	SCALE	CURRENT REV DESC:				molex				
mm	5:1									
GENERAL TOLERANCES (UNLESS SPECIFIED)		EC NO: 651917				SEARAY				
ANGULAR TOL ± °		DRWN: HCGOH 2020/12/18				PLUG ASSEMBLY 1.27/.050 CENTERS				
4 PLACES ±		CHK'D: CLHOE01 2020/12/22				PRODUCT CUSTOMER DRAWING				
3 PLACES ±		APPR: SHONG 2020/12/31				DOCUMENT NUMBER				
2 PLACES ± 0.25		INITIAL REVISION:				SD-45970-001		DOC TYPE	DOC PART	REVISION
1 PLACE ± 0.38		DRWN: TGREGORI 2006/01/25				PSD		001	U1	
0 PLACES ±		APPR: JCOMERCI 2006/01/30				MATERIAL NUMBER		CUSTOMER		SHEET NUMBER
DRAFT WHERE APPLICABLE MUST REMAIN WITHIN DIMENSIONS		THIRD ANGLE PROJECTION	DRAWING	SERIES	45970	SEE TABLE	GENERAL MARKET		4 OF 7	



STACK HEIGHTS
GIVEN IN MILLIMETERS (MM) FOR REFERENCE ONLY

ROWS: 6 DIMENSION C = 9.60/.378		
DIM P:		2.0 mm
DIM H:		5.61/.221
DIM S:		5.86/.231
POSITION	DIM G	MATERIAL NO
30	43.09/1.698	45970-3165

MATING STACK HEIGHTS (DIMENSION P)
GIVEN IN MILLIMETERS (mm) FOR REFERENCE ONLY

mm	DIM R RECEPTACLE STACK HEIGHT									
	5.0		6.0		6.5		7.5		8.0	
	DIM M FULLY MATED	DIM M MAX	DIM M FULLY MATED	DIM M MAX	DIM M FULLY MATED	DIM M MAX	DIM M FULLY MATED	DIM M MAX	DIM M FULLY MATED	DIM M MAX
2.0	7.00	7.74	8.00	8.74	8.50	9.24	9.50	10.24	10.00	10.74
2.5	7.50	8.24	8.50	9.24	9.00	9.74	10.00	10.74	10.50	11.24
3.0	8.00	8.74	9.00	9.74	9.50	10.24	10.50	11.24	11.00	11.74
3.5	8.50	9.24	9.50	10.24	10.00	10.74	11.00	11.74	11.50	12.24
4.5	9.50	10.24	10.50	11.24	11.00	11.74	12.00	12.74	12.50	13.24
5.0	10.00	10.74	11.00	11.74	11.50	12.24	12.50	13.24	13.00	13.74
7.0	12.00	12.74	13.00	13.74	13.50	14.24	14.50	15.24	15.00	15.74
9.0	14.00	14.74	15.00	15.74	15.50	16.24	16.50	17.24	17.00	17.74

MATED STACK HEIGHTS
GIVEN IN MILLIMETERS (mm) FOR REFERENCE ONLY

THIS DRAWING CONTAINS INFORMATION THAT IS PROPRIETARY TO MOLEX ELECTRONIC TECHNOLOGIES, LLC AND SHOULD NOT BE USED WITHOUT WRITTEN PERMISSION										
DIMENSION UNITS	SCALE	CURRENT REV DESC:				molex				
mm	1:1	EC NO: 651917 DRWN: HCGOH CHK'D: CLHOE01 APPR: SHONG								
GENERAL TOLERANCES (UNLESS SPECIFIED)		2020/12/18 2020/12/22 2020/12/31				SEARAY PLUG ASSEMBLY 1.27/.050 CENTERS				
ANGULAR TOL	± °	INITIAL REVISION:				PRODUCT CUSTOMER DRAWING				
4 PLACES	±	DRWN: TGREGORI APPR: JCOMERCI				DOCUMENT NUMBER		DOC TYPE	DOC PART	REVISION
3 PLACES	±	2006/01/25 2006/01/30				SD-45970-001		PSD	001	U1
2 PLACES	± 0.25	DRAFT WHERE APPLICABLE MUST REMAIN WITHIN DIMENSIONS				MATERIAL NUMBER		CUSTOMER		SHEET NUMBER
1 PLACE	± 0.38	THIRD ANGLE PROJECTION		DRAWING	SERIES	SEE TABLE		GENERAL MARKET		5 OF 7
0 PLACES	±	B-SIZE		45970						

F

E

D

C

B

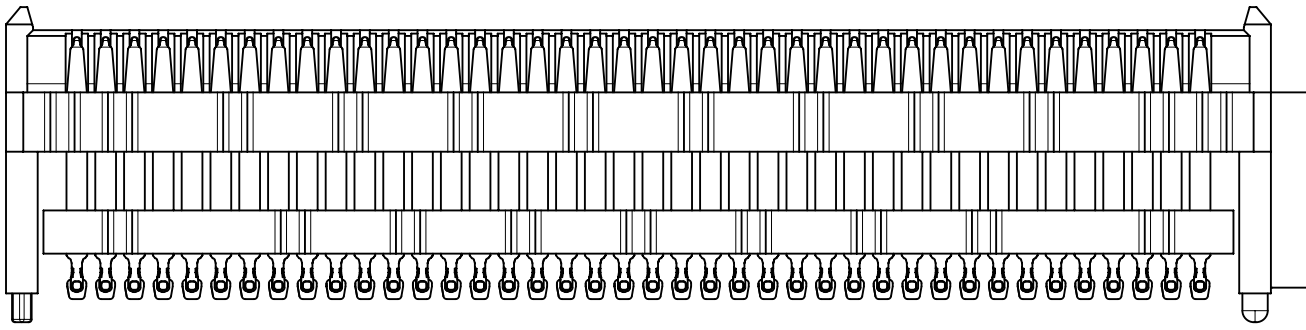
A

ROWS: 8 DIMENSION C = 12.14/.478			
DIM P:		2.0 mm	3.5 mm
DIM H:		5.61/.221	7.11/.280
DIM S:		5.86/.231	7.36/.290
POSITION	DIM G	MATERIAL NO	MATERIAL NO
20	30.39/1.198	45970-2185	45970-2385
30	43.09/1.698	45970-3185	45970-3385
40	55.79/2.198	45970-4185	45970-4385
50	68.49/2.698	45970-5185	

ROWS: 10 DIMENSION C = 14.68/.578										
DIM P:		2.0 mm	3.0 mm	3.5 mm	2.5 mm	4.5 mm	5.0 mm	7.0 mm	9.0 mm	9.0 mm
DIM H:		5.61/.221	6.60/.260	7.11/.280	6.12/.241	8.10/.319	8.61/.339	10.61/.418	12.62/.497	12.62/.497
DIM S:		5.86/.231	6.85/.270	7.36/.290	6.37/.251	8.35/.329	8.86/.349	10.86/.428	12.87/.507	12.87/.507
POSITION	DIM G	MATERIAL NO	MATERIAL NO	MATERIAL NO	MATERIAL NO	MATERIAL NO	MATERIAL NO	MATERIAL NO	MATERIAL NO	MATERIAL NO
10	17.69/0.698	45970-1115	45970-1215	45970-1315	45970-1415	45970-1515	45970-1615	45970-1715	45970-1915	
20	30.39/1.198	45970-2115	45970-2215	45970-2315	45970-2415	45970-2515	45970-2615	45970-2715	45970-2915	
30	43.09/1.698	45970-3115	45970-3215	45970-3315	45970-3415	45970-3515	45970-3615	45970-3715	45970-3915	
40	55.79/2.198	45970-4115	45970-4215	45970-4315	45970-4415	45970-4515	45970-4615	45970-4715		45970-4916
50	68.49/2.698	45970-5115	45970-5215	45970-5315	45970-5415	45970-5515	45970-5615	45970-5715		45970-5916
15	24.04/0.948	45970-6115	45970-6215	45970-6315	45970-6415	45970-6515	45970-6615	45970-6715	45970-6915	
25	36.74/1.448	45970-7115	45970-7215	45970-7315	45970-7415	45970-7515	45970-7615	45970-7715	45970-7915	
35	49.44/1.948	45970-8115	45970-8215	45970-8315	45970-8415	45970-8515	45970-8615	45970-8715	45970-8915	
45	62.14/2.448	45970-9115	45970-9215	45970-9315	45970-9415	45970-9515	45970-9615	45970-9715	45970-9915	

MATING STACK HEIGHTS (DIMENSION P)
GIVEN IN MILLIMETERS (mm) FOR REFERENCE ONLY

9.0mm PLUG WITH ALIGNER
45970-4916 SHOWN



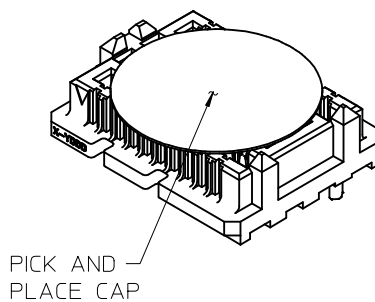
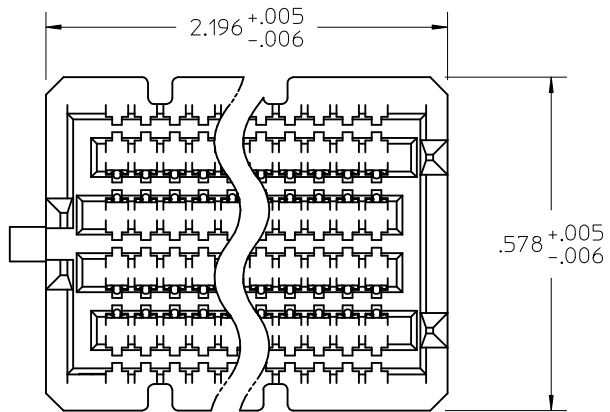
THIS DRAWING CONTAINS INFORMATION THAT IS PROPRIETARY TO MOLEX ELECTRONIC TECHNOLOGIES, LLC AND SHOULD NOT BE USED WITHOUT WRITTEN PERMISSION										
DIMENSION UNITS		SCALE		CURRENT REV DESC:						
mm		3:1		EC NO: 651917 DRWN: HCGOH CHK'D: CLHOE01 APPR: SHONG						
GENERAL TOLERANCES (UNLESS SPECIFIED)				2020/12/18 2020/12/22 2020/12/31					SEARAY PLUG ASSEMBLY 1.27/.050 CENTERS	
ANGULAR TOL ± °				INITIAL REVISION:					PRODUCT CUSTOMER DRAWING	
4 PLACES ±				DRWN: TGREGORI APPR: JCOMERCI					DOCUMENT NUMBER	
3 PLACES ±				2006/01/25 2006/01/30					SD-45970-001	
2 PLACES ± 0.25				THIRD ANGLE PROJECTION					DOC TYPE DOC PART REVISION	
1 PLACE ± 0.38				DRAWING					PSD 001 U1	
0 PLACES ±				SERIES					SHEET NUMBER	
DRAFT WHERE APPLICABLE MUST REMAIN WITHIN DIMENSIONS				B-SIZE 45970					MATERIAL NUMBER CUSTOMER	
				SEE TABLE					GENERAL MARKET 6 OF 7	

F
E
D
C
B
A

REV	DATE	DESCRIPTION
T3	2017/03/28	MIGRATED TO ECTR / NX
	2017/06/09	ADDED RECOMMENDED PCB LAYOUT FOR 8 ROW ASSEMBLIES ON SHEET 3, UPDATED VIEWS SHEET 1, SHIFTED TABLES TO NEXT SHEETS.
T4	2018/10/03	ADD PAD LOCATION DIMENSIONS ON SHEET 2, UPDATE MATING HEIGHT TABLE ON SHEET 5, ADD VERSIONS WITH ALIGNERS ON SHEET 6
T5	2019/01/15	UPDATE 8 ROW CHART ON SHEET 6
T6	2019/05/20	ADDED RECOMMENDED PCB LAYOUT FOR 10 ROW ASSEMBLIES ON SHEET 4, SHIFTED TABLES TO NEXT SHEETS.
U	2020/10/14	REMOVED OBSOLETE PART NUMBERS
U1	2020/12/18	REVISED DRAWING TO REFLECT ACTUAL NUMBER OF EDGE NOTCHES FOR PART NO. 45970-4916 & 45970-5916.

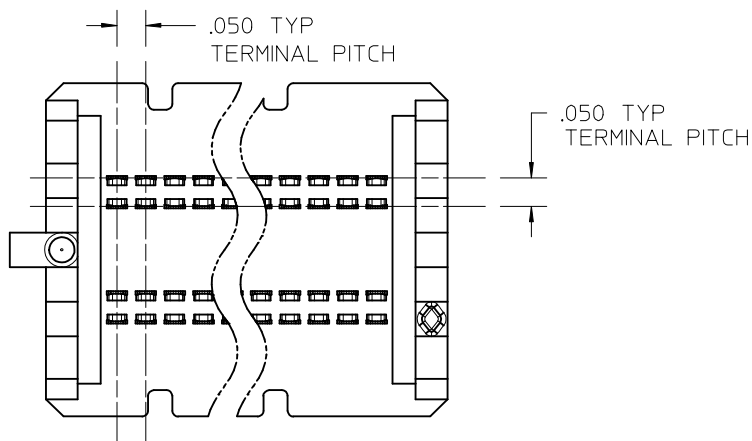
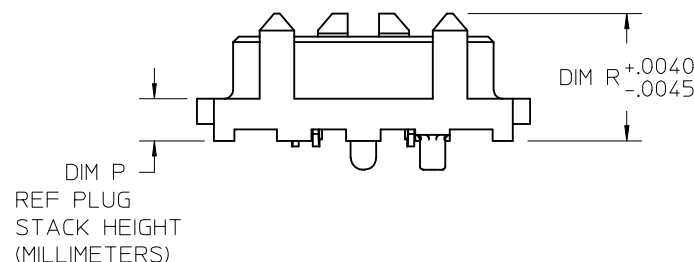
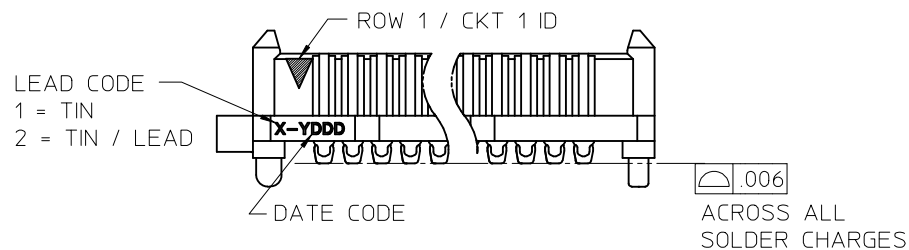
THIS DRAWING CONTAINS INFORMATION THAT IS PROPRIETARY TO MOLEX ELECTRONIC TECHNOLOGIES, LLC AND SHOULD NOT BE USED WITHOUT WRITTEN PERMISSION											
DIMENSION UNITS mm	SCALE 1:1	CURRENT REV DESC:				molex					
GENERAL TOLERANCES (UNLESS SPECIFIED)		EC NO: 651917 DRWN: HCGOH 2020/12/18 CHK'D: CLHOE01 2020/12/22 APPR: SHONG 2020/12/31									
ANGULAR TOL ± °		INITIAL REVISION:				DOCUMENT NUMBER		DOC TYPE	DOC PART	REVISION	
4 PLACES ±		DRWN: TGREGORI 2006/01/25 APPR: JCOMERCI 2006/01/30				SD-45970-001		PSD	001	U1	
3 PLACES ±		DRAFT WHERE APPLICABLE MUST REMAIN WITHIN DIMENSIONS				THIRD ANGLE PROJECTION	DRAWING	SERIES	MATERIAL NUMBER	CUSTOMER	SHEET NUMBER
2 PLACES ± 0.25						B-SIZE	45970	SEE TABLE	GENERAL MARKET	7 OF 7	
1 PLACE ± 0.38											
0 PLACES ±											

DOCUMENT STATUS	P1	RELEASE DATE	2020/12/31 07:05:06
-----------------	----	--------------	---------------------



NOTES:

- MATERIAL: HOUSING: LCP, UL94V-0, BLACK
CONTACTS: COPPER ALLOY
SOLDER CHARGE: SEE CHARTS
- FINISH: SELECT GOLD IN CONTACT: 30 MI MIN
SELECT TIN IN TAIL: 100 MI MIN
BOTH OVER NICKEL
- PRODUCT SPECIFICATION: PS-45970-001
- PACKAGING SPECIFICATION: PK-45970-002
- MATES WITH SEARAY RECEPTACLE ASSY 45971
- APPLICATION SPECIFICATION: AS-45970-001
- COSMETIC SPECIFICATION: PS-45499-002 CLASS B



TIN	MATERIAL NO:	45970-4105	45970-4305
	DIM P (REF)	2.0 MM	3.5 MM
	DIM R	.221	.280

TIN / LEAD	MATERIAL NO:	45970-4107	45970-4307
	DIM P (REF)	2.0 MM	3.5 MM
	DIM R	.221	.280

INITIAL RELEASE	2009/08/04
EC NO: UCP2010-0292	2009/08/04
DRWN: TGREGORI	2009/08/04
CHKD: JCOMERC I	2009/08/05
APPR: JCOMERC I	
REV	DESCRIPTION
A	

GENERAL TOLERANCES (UNLESS SPECIFIED)

	mm	INCH
4 PLACES	± .005	± .0002
3 PLACES	± .005	± .010
2 PLACES	± .005	± .015
1 PLACE	± .005	± .020
ANGULAR ± .005°		

DRAFT WHERE APPLICABLE
MUST REMAIN
WITHIN DIMENSIONS

DIMENSION STYLE
INCH ONLY

DRAWN BY	DATE
TGREGORI	2009/07/31
CHECKED BY	DATE
JCOMERC I	
APPROVED BY	DATE
JCOMERC I	2009/08/04

MATERIAL NO.
SEE CHART

SIZE
A

SCALE
3:1

DESIGN UNITS
INCH

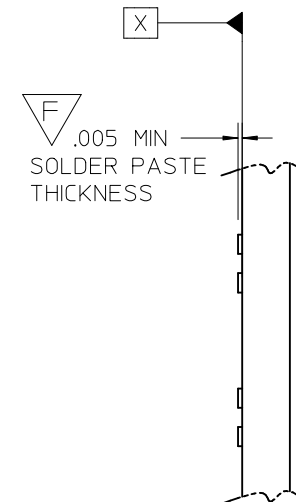
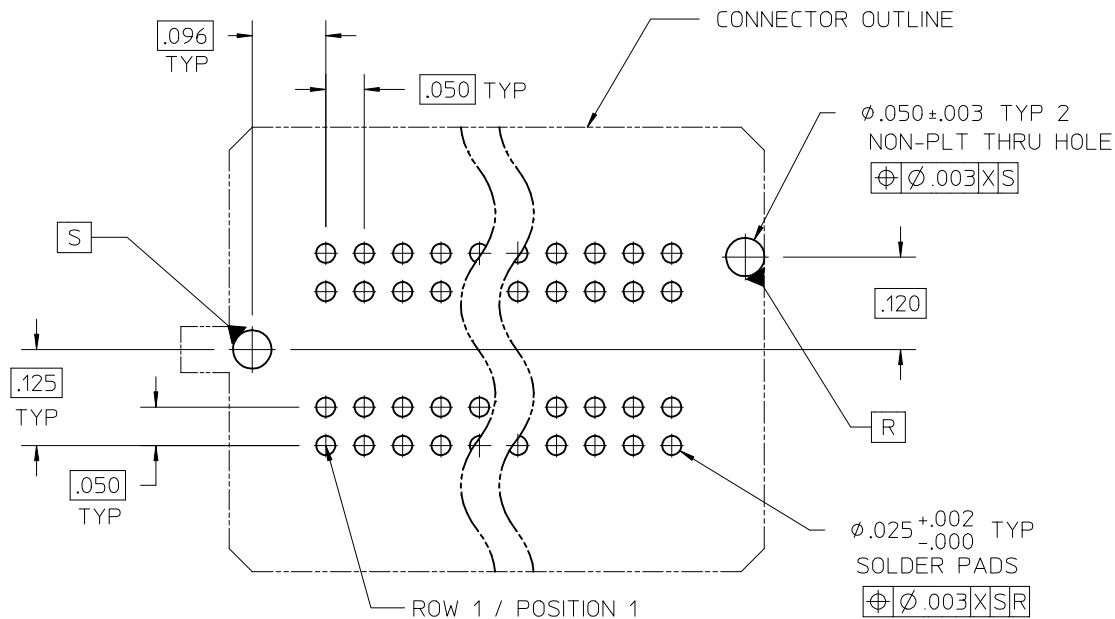
THIRD ANGLE
PROJECTION

TITLE
SEARAY PLUG ASSEMBLY
.050 CENTERS
FOR VITA 57 SPEC

MOLEX INCORPORATED

DOCUMENT NO. SD-45970-057

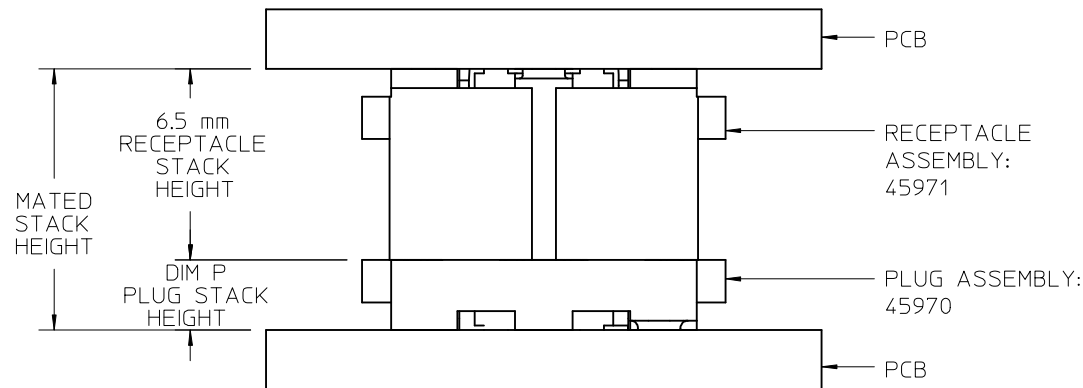
SHEET NO. 1 OF 2



RECOMMENDED PCB LAYOUT: COMPONENT SIDE
 SOLDER SCREEN APERTURE SIZE: .035 ∇F
 PCB THICKNESS: NA

		RECEPTACLE STACK HEIGHT					
		MM	-	-	6.5	-	-
DIM P	PLUG STACK HEIGHT	2.0	-	-	8.5	-	-
		-	-	-	-	-	-
		3.5	-	-	10.0	-	-
		-	-	-	-	-	-
		-	-	-	-	-	-
		-	-	-	-	-	-
		-	-	-	-	-	-

MATED STACK HEIGHTS (MILLIMETERS) REF



STACK HEIGHTS GIVEN IN METRIC FOR REF ONLY

SEE SHEET 1 EC NO: UCP2010-0292 DRWN: TGREGORI 2009/08/04 CHKD: 2009/08/04 APPR: JCOMERCI 2009/08/05	DESCRIPTION	GENERAL TOLERANCES (UNLESS SPECIFIED)		DIMENSION STYLE INCH ONLY		SCALE 4:1	DESIGN UNITS INCH	THIRD ANGLE PROJECTION		
			mm	INCH	DRAWN BY TGREGORI	DATE 2009/07/31	TITLE SEARAY PLUG ASSEMBLY .050 CENTERS FOR VITA 57 SPEC			
		4 PLACES	± .005	± .005	CHECKED BY JCOMERCI	DATE				
		3 PLACES	± .005	± .010	APPROVED BY JCOMERCI		DATE 2009/08/04	MOLEX INCORPORATED		
2 PLACES	± .005	± .015	DOCUMENT NO. SD-45970-057		SHEET NO. 2 OF 2					
1 PLACE	± .005	± .005	DRAFT WHERE APPLICABLE MUST REMAIN WITHIN DIMENSIONS		SIZE A	THIS DRAWING CONTAINS INFORMATION THAT IS PROPRIETARY TO MOLEX INCORPORATED AND SHOULD NOT BE USED WITHOUT WRITTEN PERMISSION				
ANGULAR ± °										