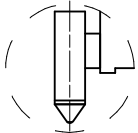
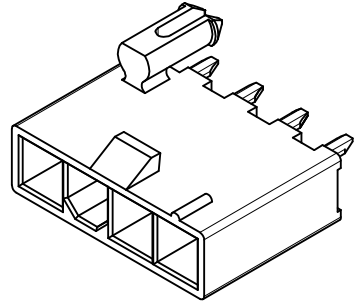
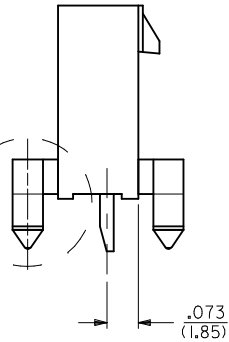


CKT SIZE	DIM A	DIM B	DIM D
3	.54 (13.8)	.331 (8.40)	.49 (12.5)
4	.71 (18.0)	.496 (12.60)	.50 (12.8)
5	.87 (22.2)	.661 (16.80)	.50 (12.8)



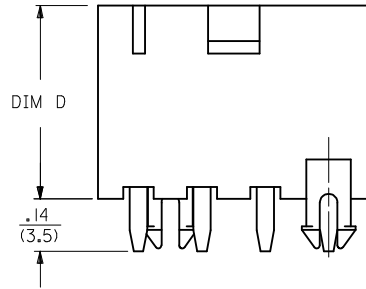
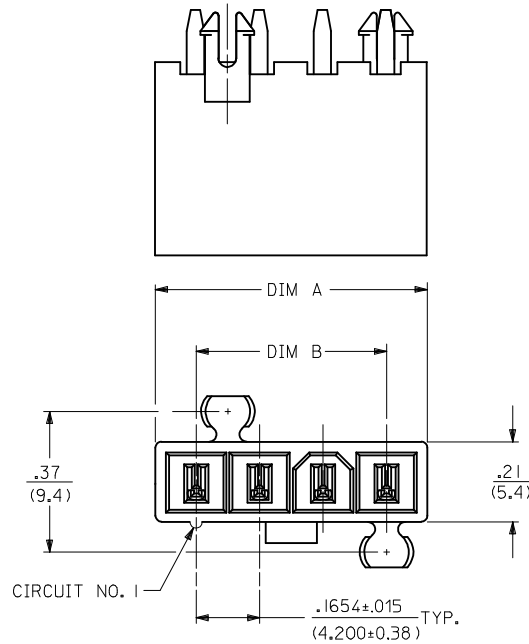
PEG DESIGN B
SEE NOTE 12

PEG DESIGN A
SEE NOTE 12



LEGEND:

SERIES NUMBER	5566 - N
CIRCUIT SIZE	*
ASSEMBLY TYPE	**
MOUNTING OPTION (SEE NOTE 6.)	*
PLATING (SEE NOTE 2.)	*
HOUSING MAT'L. (SEE NOTE 1.)	*

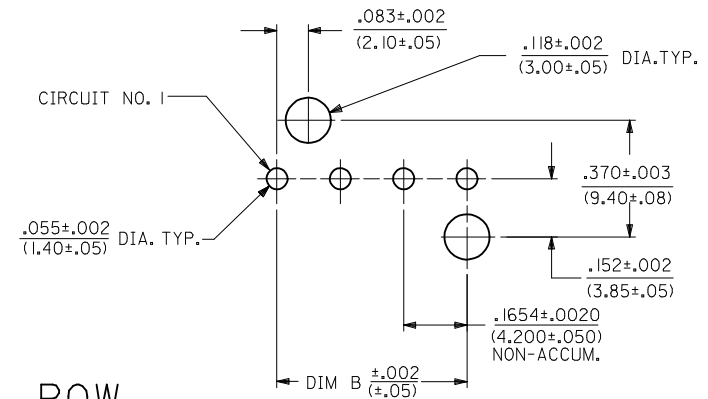


SEE SHT. 2 FOR DUAL ROW

* THE CHART FOR SINGLE ROW PRODUCT IS ON PAGE 3

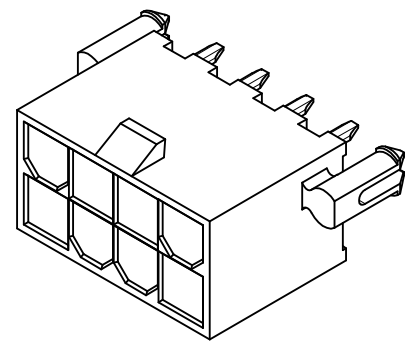
NOTES:

- MATERIALS:**
HOUSING:
225=NYLON, UL94 V-0, COLOR: BLACK, IEC 60335-1, 4th EDITION GLOW WIRE CAPABLE
TERMINALS:
BRASS
2. **TERMINAL PLATING:**
S=.000100/(0.00254) MIN. BRIGHT TIN OVER
.000050/(0.00127) MIN. NICKEL
GS=.000030/(0.00076) MIN. SELECT GOLD AND
.000100/(0.00254) MIN. SELECT MATTE TIN OVER
.000050/(0.00127) MIN. NICKEL OVERALL
MS=.000100/(0.00254) MIN. MATTE TIN OVER
.000050/(0.00127) MIN. NICKEL
3. **PRODUCT SPECIFICATION:** PS-5556-001
4. **PACKAGING:** SEE CHARTS
5. **PART MATES WITH MINI-FIT JR. RECEPTACLE NO. 5557.**
6. **MOUNTING OPTIONS:**
BLANK=DUAL ROW WITHOUT PEGS
2=DUAL ROW WITH MOUNTING PEGS
3=SINGLE ROW WITH MOUNTING PEGS
7. **PART IS NOT DESIGNED FOR CURRENT SHARING.**
8. **PARTS ARE NOT DESIGNED TO BE MATED OR UN-MATED WHILE CIRCUITS ARE LIVE.**
9. **LOCATION OF .118±.002/(3.00±0.05) DIAMETER HOLES ON P.C. BOARD IS FOR OPTIONAL PEGS.**
10. **ANTI-SHINGLING RIB MAY OR MAY NOT APPEAR ON HOUSINGS.**
11. **PART CONFORMS TO CLASS "B" REQUIREMENTS OF COSMETIC SPECIFICATION PS-45499-002 WITH THE EXCEPTION OF DISCOLORATION, FLASH AND SINK ON THE HOUSING MEET CLASS "C" REQUIREMENTS.**
12. **4 CIRCUIT PARTS WILL HAVE PEG DESIGN A. ALL OTHER CIRCUIT SIZES WILL HAVE PEG DESIGN B.**



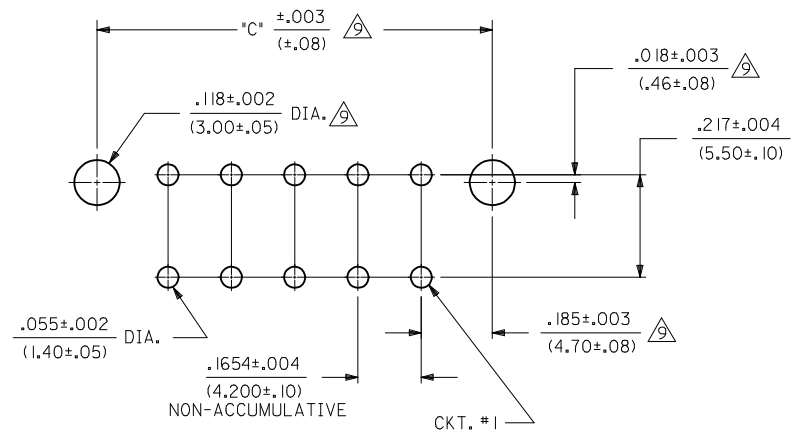
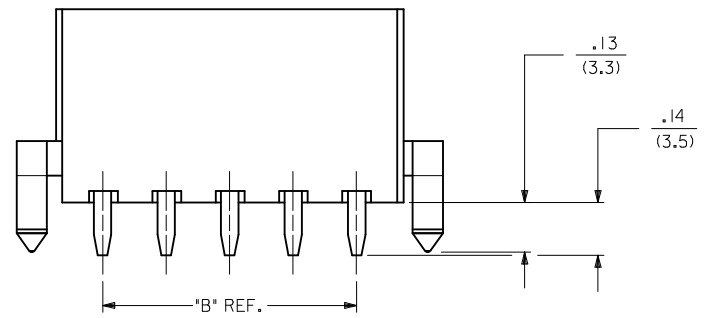
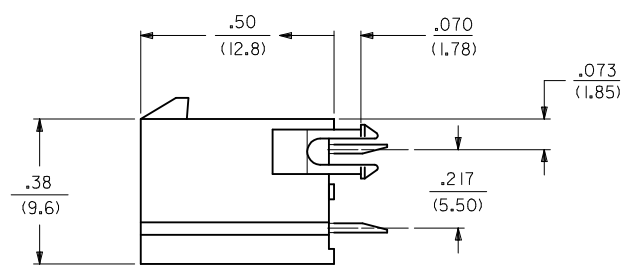
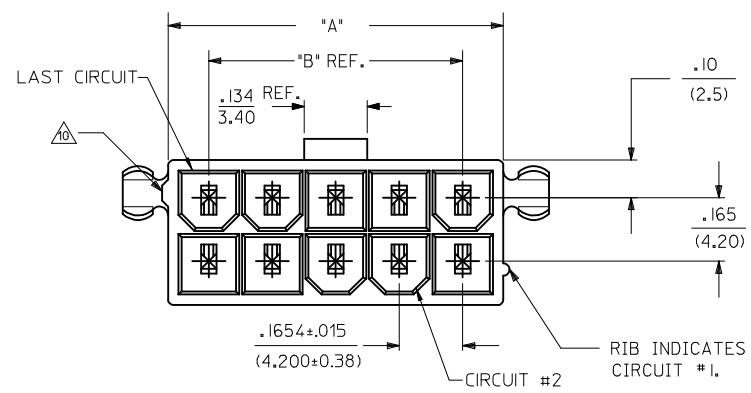
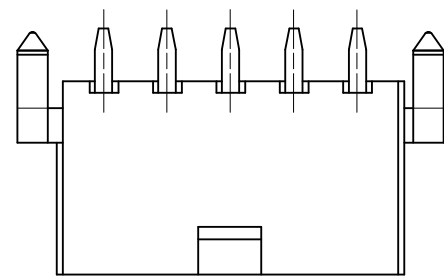
RECOMMENDED HOLE LAYOUT FOR
.070 (1.78) MAX. THICK P. C. BOARD
VIEWED FROM COMPONENT SIDE

REMOVE DRAIN HOLES IEC NO: UCP2013-4208 DRWINHNGUYEN 2014/04/22 CHKD:JBELL 2014/04/22 APPR:FSMITH 2014/05/16	QUALITY SYMBOLS 	GENERAL TOLERANCES (UNLESS SPECIFIED)		DIMENSION STYLE		SCALE	DESIGN UNITS	THIRD ANGLE PROJECTION		
				IN/MM		4:1	METRIC			
				DRAWN BY DATE		DATE		TITLE		MINI-FIT VERT HDR ASSY W & W/O PEGS SINGLE AND DUAL ROW molex
				4 PLACES ± --- ± ---		LSCHMIDT 2008/01/22		DOCUMENT NO.		
		3 PLACES ± --- ± .015		CHECKED BY DATE		SD-5566-225		SHEET NO. 1 OF 4		
		2 PLACES ± 0.38 ± .020		ADERR 2008/01/24						
		1 PLACE ± 0.50 ± ---		APPROVED BY DATE						
		0 PLACE ± --- ± ---		FSMITH 2011/11/11						
		ANGULAR ±1/2°		MATERIAL NO.						
		DRAFT WHERE APPLICABLE MUST REMAIN WITHIN DIMENSIONS		SEE CHARTS						
				SIZE C		THIS DRAWING CONTAINS INFORMATION THAT IS PROPRIETARY TO MOLEX INCORPORATED AND SHOULD NOT BE USED WITHOUT WRITTEN PERMISSION				



8 CKT SHOWN

CIRCUIT SIZE	DIM. "A"	DIM. "B"	DIM. "C"
2	.21 (5.4)	—	.370 (9.40)
4	.38 (9.6)	.17 (4.2)	.535 (13.60)
6	.54 (13.8)	.33 (8.4)	.701 (17.80)
8	.71 (18.0)	.50 (12.6)	.866 (22.00)
10	.87 (22.2)	.66 (16.8)	1.031 (26.20)
12	1.04 (26.4)	.83 (21.0)	1.197 (30.40)
14	1.20 (30.6)	.99 (25.2)	1.362 (34.60)
16	1.37 (34.8)	1.16 (29.4)	1.528 (38.80)
18	1.54 (39.0)	1.32 (33.6)	1.693 (43.00)
20	1.70 (43.2)	1.49 (37.8)	1.858 (47.20)
22	1.87 (47.4)	1.65 (42.0)	2.024 (51.40)
24	2.03 (51.6)	1.82 (46.2)	2.189 (55.60)

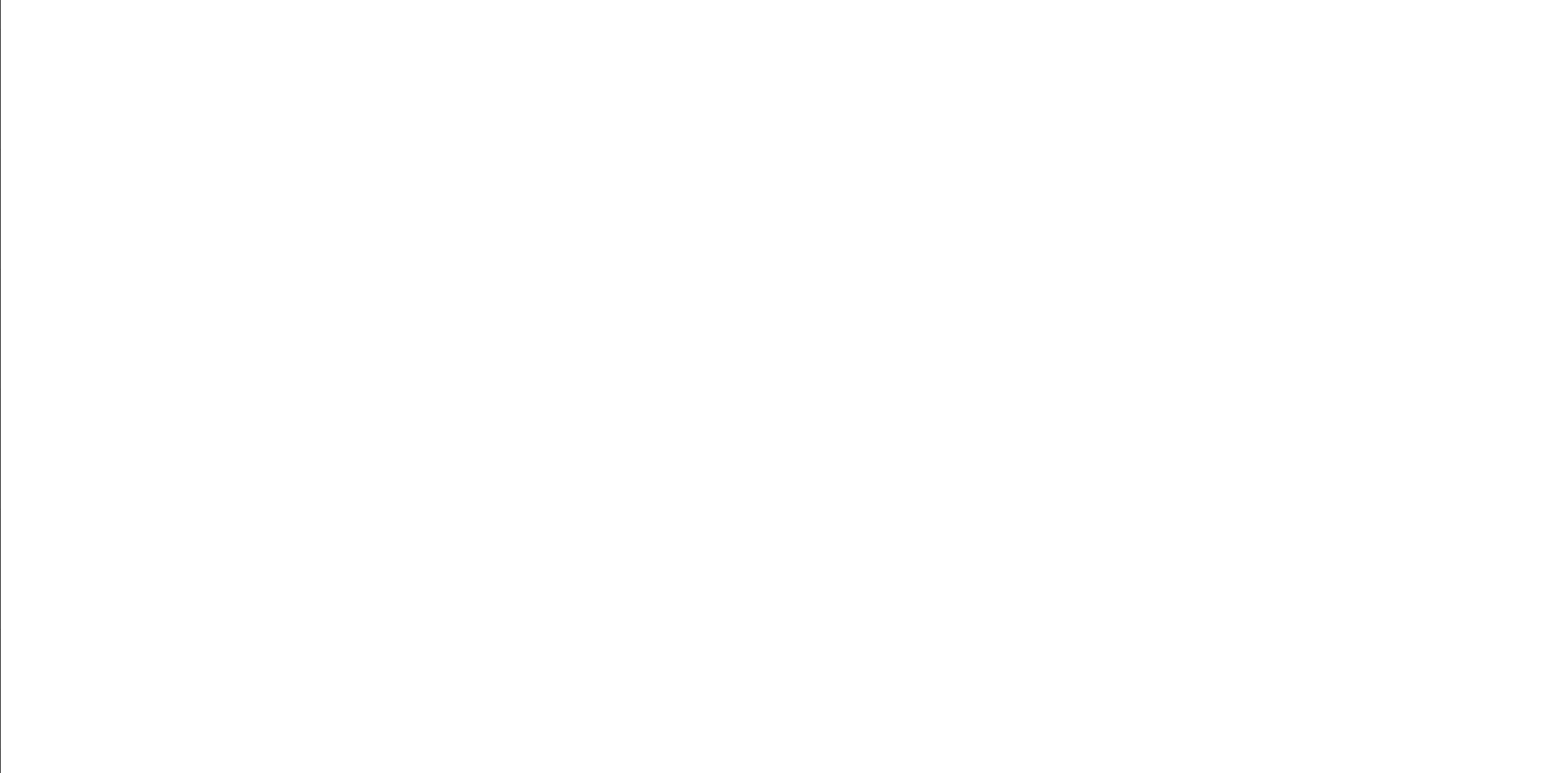


RECOMMENDED HOLE LAYOUT FOR .070/(1.78) MAX. THICK P. C. BOARD
VIEWED FROM COMPONENT SIDE

SEE SHT. 1 FOR SINGLE ROW
* THE CHART FOR DUAL ROW PRODUCT IS ON PAGE 4

SEE SHEET 1 IEC NO: UCP2013-4208 DRAWN: NGUYEN 2014/04/22 CHKD: BELL 2014/04/22 APPR: F. SMITH 2014/05/16	QUALITY SYMBOLS	GENERAL TOLERANCES (UNLESS SPECIFIED)	DIMENSION STYLE	SCALE	DESIGN UNITS	THIRD ANGLE PROJECTION																						
	$\nabla=0$ $\nabla=0$ $\nabla=0$	<table border="1"> <thead> <tr> <th></th> <th>mm</th> <th>INCH</th> </tr> </thead> <tbody> <tr> <td>4 PLACES</td> <td>±---</td> <td>±---</td> </tr> <tr> <td>3 PLACES</td> <td>±---</td> <td>±.015</td> </tr> <tr> <td>2 PLACES</td> <td>±0.38</td> <td>±.020</td> </tr> <tr> <td>1 PLACE</td> <td>±0.50</td> <td>±---</td> </tr> <tr> <td>0 PLACE</td> <td>±---</td> <td>±---</td> </tr> </tbody> </table>		mm	INCH	4 PLACES	±---	±---	3 PLACES	±---	±.015	2 PLACES	±0.38	±.020	1 PLACE	±0.50	±---	0 PLACE	±---	±---	<table border="1"> <thead> <tr> <th>mm</th> <th>INCH</th> </tr> </thead> <tbody> <tr> <td>IN/MM</td> <td></td> </tr> </tbody> </table>	mm	INCH	IN/MM		4:1	METRIC	
		mm	INCH																									
	4 PLACES	±---	±---																									
3 PLACES	±---	±.015																										
2 PLACES	±0.38	±.020																										
1 PLACE	±0.50	±---																										
0 PLACE	±---	±---																										
mm	INCH																											
IN/MM																												
DESCRIPTION	ANGULAR ±1/2° DRAFT WHERE APPLICABLE MUST REMAIN WITHIN DIMENSIONS	DRAWN BY: LSCHMIDT CHECKED BY: ADERR APPROVED BY: F. SMITH DATE: 2008/01/22 DATE: 2008/01/24 DATE: 2011/11/11	TITLE: MINI-FIT VERT HDR ASSY W & W/O PEGS SINGLE AND DUAL ROW molex MATERIAL NO. SEE CHART DOCUMENT NO. SD-5566-225																									
REV: A10			SHEET NO. 2 OF 4 THIS DRAWING CONTAINS INFORMATION THAT IS PROPRIETARY TO MOLEX INCORPORATED AND SHOULD NOT BE USED WITHOUT WRITTEN PERMISSION																									

13	12	11	10	9	8	7	6	5	4	3	2	1
PLATING:		100 M.I. TIN - PLATING CODE 'S'		PLATING:		PLATING:		PLATING:		PLATING:		
MTG. OPTION:		WITH PEGS		MTG. OPTION:		MTG. OPTION:		MTG. OPTION:		MTG. OPTION:		
PACKAGING:		TRAY PACK PER PK-5566-002		PACKAGING:		PACKAGING:		PACKAGING:		PACKAGING:		
PART NO.	ENG. NO.	CKTS		PART NO.	ENG. NO.	CKTS		PART NO.	ENG. NO.	CKTS		
50-36-1809	5566-03A3S-225	3				3				3		
50-36-2367	5566-04A3S-225	4				4				4		
50-36-1819	5566-05A3S-225	5				5				5		



SEE SHEET 1 EC NO: UCP2013-4208 DRAWN: NGUYEN 2014/04/22 CHKD: BELL 2014/04/22 APPR: FSMITH 2014/05/16	QUALITY SYMBOLS	GENERAL TOLERANCES (UNLESS SPECIFIED)	DIMENSION STYLE	SCALE	DESIGN UNITS	THIRD ANGLE PROJECTION
	▽=0	mm INCH	IN/MM	1:1	METRIC	
	▽=0	4 PLACES ± --- ± ---	DRAWN BY DATE	TITLE MINI-FIT VERT HDR ASSY W & W/O PEGS SINGLE AND DUAL ROW molex		
	▽=0	3 PLACES ± --- ±.015	LSCHMIDT 2008/01/22			
	2 PLACES ±0.38 ±.020	CHECKED BY DATE	MATERIAL NO. DOCUMENT NO. SHEET NO. SEE CHART SD-5566-225 3 OF 4			
	1 PLACE ±0.50 ± ---	ADERR 2008/01/24				
	0 PLACE ± --- ± ---	APPROVED BY DATE	SIZE THIS DRAWING CONTAINS INFORMATION THAT IS PROPRIETARY TO MOLEX INCORPORATED AND SHOULD NOT BE USED WITHOUT WRITTEN PERMISSION			
		FSMITH 2011/11/11				
		ANGULAR ±1/2°				
		DRAFT WHERE APPLICABLE MUST REMAIN WITHIN DIMENSIONS				

	13	12	11	10	9	8	7	6	5	4	3	2	1			
J	PLATING:		100 M.I. TIN - PLATING CODE 'S'		PLATING:		100 M.I. TIN - PLATING CODE 'S'		PLATING:		30 M.I. GOLD - PLATING CODE 'GS'		PLATING:		30 M.I. GOLD - PLATING CODE 'GS'	
	MTG. OPTION:		WITHOUT PEGS		MTG. OPTION:		WITH PEGS		MTG. OPTION:		WITHOUT PEGS		MTG. OPTION:		WITH PEGS	
	PACKAGING:		TRAY PACK PER PK-5566-001		PACKAGING:		TRAY PACK PER PK-5566-001		PACKAGING:		TRAY PACK PER PK-5566-001		PACKAGING:		TRAY PACK PER PK-5566-001	
	COLOR:		BLACK		COLOR:		BLACK		COLOR:		BLACK		COLOR:		BLACK	
	PART NO.	ENG. NO.	CKTS		PART NO.	ENG. NO.	CKTS		PART NO.	ENG. NO.	CKTS		PART NO.	ENG. NO.	CKTS	
I	50-36-1882	5566-02AS-225	2		50-36-1699	5566-02A2S-225	2		469990037	5566-02AGS-225	2		NOT TOOLED	5566-02A2GS-225	2	
	50-36-1884	5566-04AS-225	4		50-36-1702	5566-04A2S-225	4		NOT TOOLED	5566-04AGS-225	4		NOT TOOLED	5566-04A2GS-225	4	
	50-36-1697	5566-06AS-225	6		50-36-1704	5566-06A2S-225	6		469990039	5566-06AGS-225	6		469990051	5566-06A2GS-225	6	
	50-36-1683	5566-08AS-225	8		50-36-1706	5566-08A2S-225	8		NOT TOOLED	5566-08AGS-225	8		469990052	5566-08A2GS-225	8	
	50-36-1741	5566-10AS-225	10		50-36-1708	5566-10A2S-225	10		NOT TOOLED	5566-10AGS-225	10		NOT TOOLED	5566-10A2GS-225	10	
	50-36-1886	5566-12AS-225	12		50-36-1711	5566-12A2S-225	12		NOT TOOLED	5566-12AGS-225	12		NOT TOOLED	5566-12A2GS-225	12	
	50-36-1888	5566-14AS-225	14		NOT TOOLED	5566-14A2S-225	14		NOT TOOLED	5566-14AGS-225	14		NOT TOOLED	5566-14A2GS-225	14	
	50-36-1891	5566-16AS-225	16		NOT TOOLED	5566-16A2S-225	16		NOT TOOLED	5566-16AGS-225	16		NOT TOOLED	5566-16A2GS-225	16	
H	NOT TOOLED	5566-18AS-225	18		NOT TOOLED	5566-18A2S-225	18		NOT TOOLED	5566-18AGS-225	18		NOT TOOLED	5566-18A2GS-225	18	
	NOT TOOLED	5566-20AS-225	20		NOT TOOLED	5566-20A2S-225	20		NOT TOOLED	5566-20AGS-225	20		NOT TOOLED	5566-20A2GS-225	20	
	NOT TOOLED	5566-22AS-225	22		NOT TOOLED	5566-22A2S-225	22		NOT TOOLED	5566-22AGS-225	22		NOT TOOLED	5566-22A2GS-225	22	
	NOT TOOLED	5566-24AS-225	24		NOT TOOLED	5566-24A2S-225	24		NOT TOOLED	5566-24AGS-225	24		NOT TOOLED	5566-24A2GS-225	24	
		-				-										
		-				-										



SEE SHEET 1 EC NO: UCP2013-4208 DRAWN: NGUYEN 2014/04/22 CHKD: BELL 2014/04/22 APPR: FSMITH 2014/05/16	QUALITY SYMBOLS 	GENERAL TOLERANCES (UNLESS SPECIFIED)		DIMENSION STYLE IN/MM		SCALE 1:1	DESIGN UNITS METRIC	THIRD ANGLE PROJECTION	
				DRAWN BY LSCHMIDT	DATE 2008/01/22	TITLE MINI-FIT VERT HDR ASSY W & W/O PEGS SINGLE AND DUAL ROW			
				CHECKED BY ADERR	DATE 2008/01/24	APPROVED BY FSMITH			DATE 2011/11/11
				ANGULAR $\pm 1/2^\circ$		MATERIAL NO. SEE CHART	DOCUMENT NO. SD-5566-225		SHEET NO. 4 OF 4
		DRAFT WHERE APPLICABLE MUST REMAIN WITHIN DIMENSIONS		THIS DRAWING CONTAINS INFORMATION THAT IS PROPRIETARY TO MOLEX INCORPORATED AND SHOULD NOT BE USED WITHOUT WRITTEN PERMISSION					