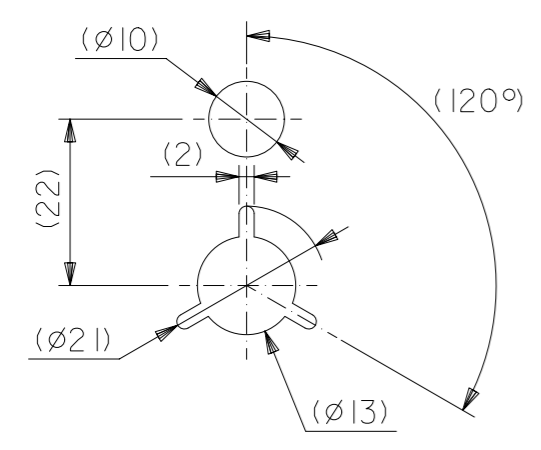
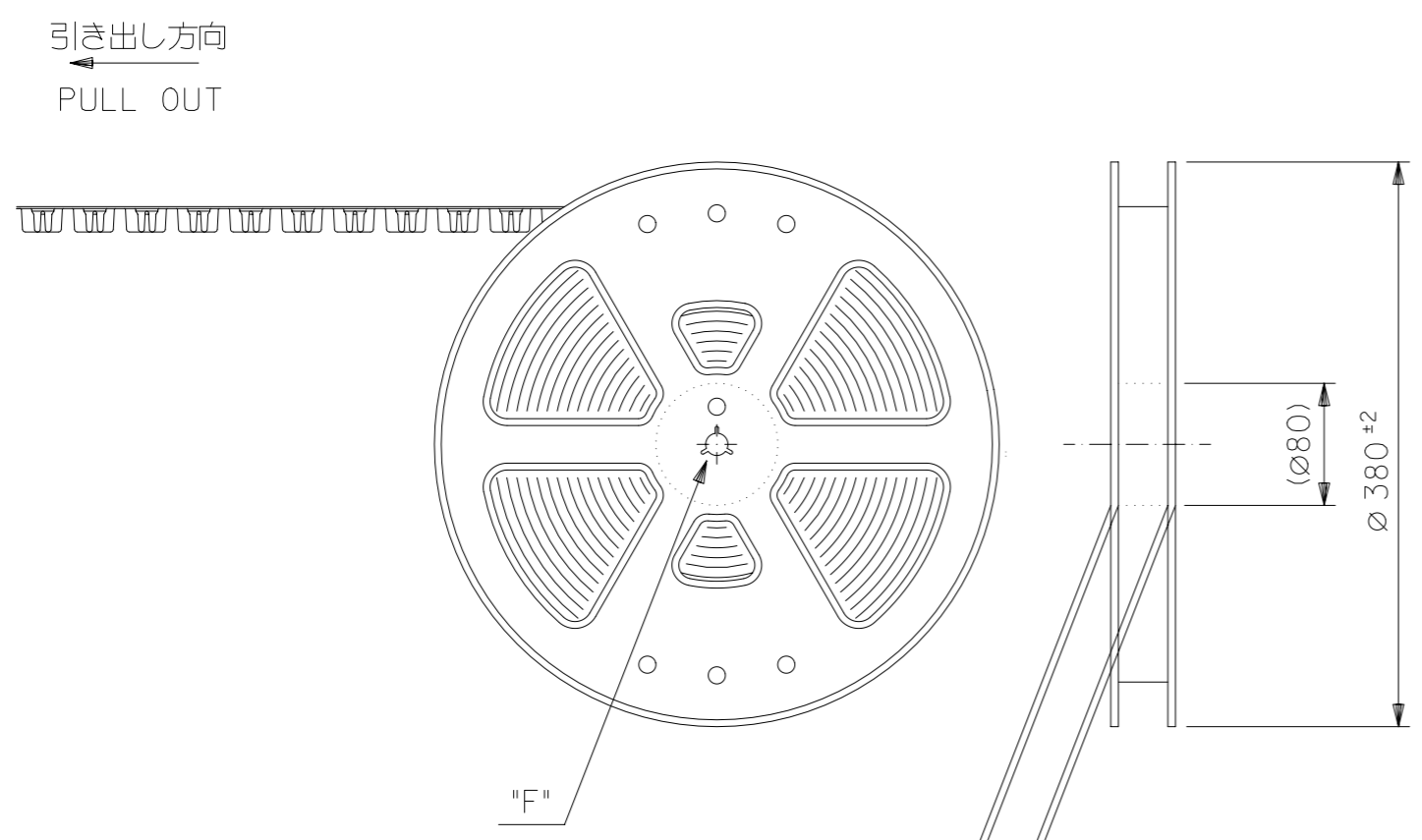


NOTE

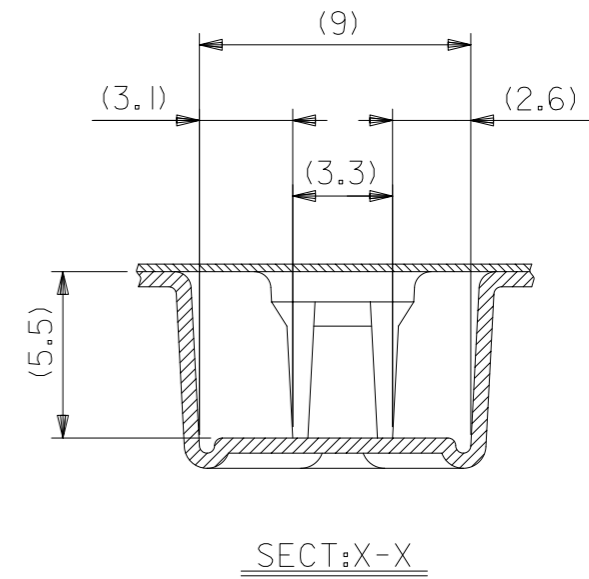
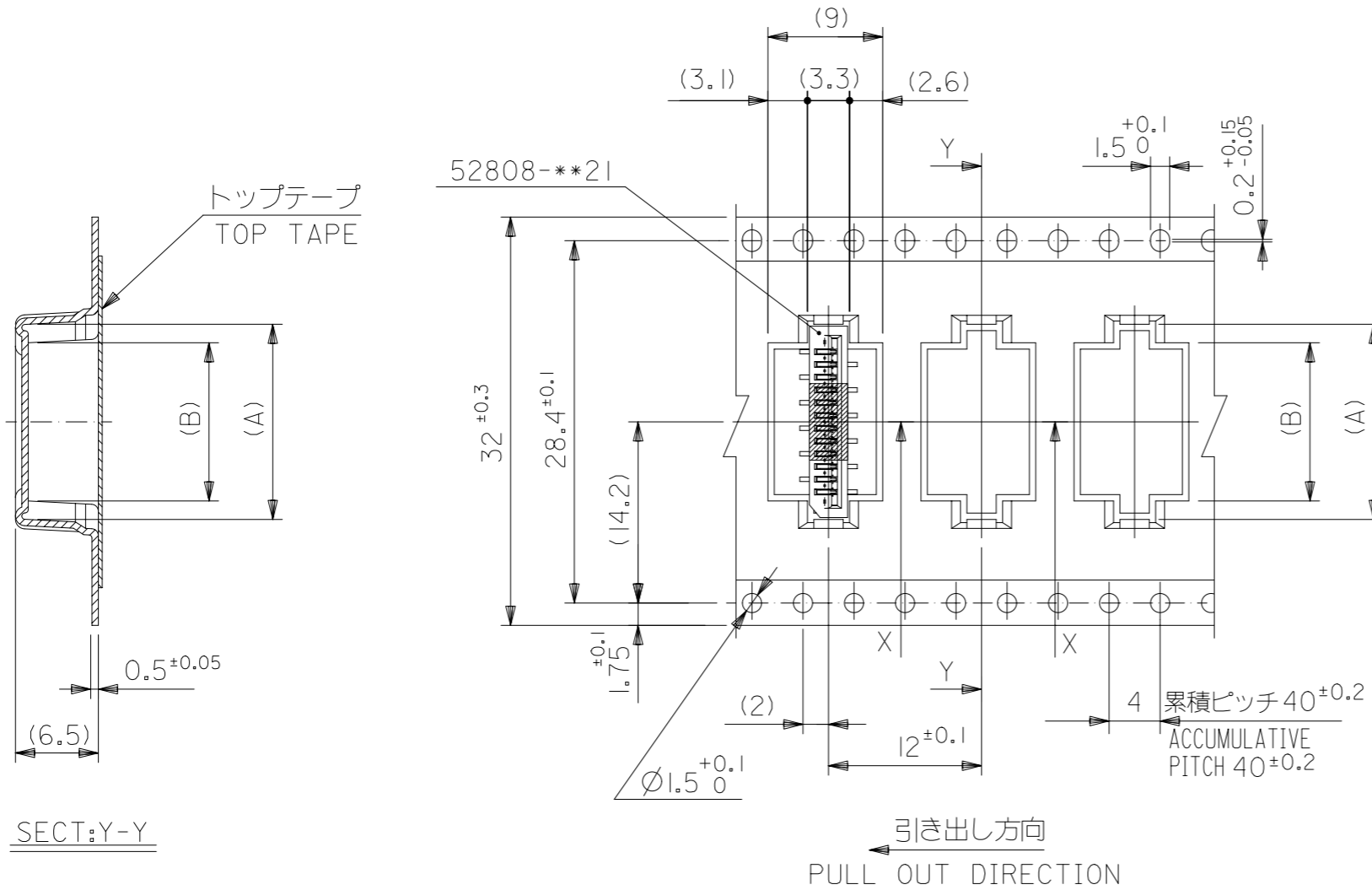
- 製品詳細寸法については528081003_000を参照下さい。
RE DETAILED DIMENSION, SEE 528081003_000
- 梱包数量:1000個/リール
NUMBER OF CONNECTORS:1000PCS/REEL
- リードテープ長さ LEAD TAPE LENGTH

- カバーテープの剥離強度については IEC 60286-3 に準拠
COVER TAPE PEEL FORCE IS DEFINED BY IEC 60286-3
- 材料 (MATERIAL)
 キャリアテープ(CARRIER TAPE):ポリプロピレン(POLYPROPYLENE)
 トップテープ(TOP TAPE):PET,PE, PEF
 リール(REEL):ポリスチレン(PS) 〈リサイクル材を含む〉
 POLYSTYREN(PS) 〈RECYCLE MATERIAL CONTAINED〉
- 本製品は52808シリーズの金メッキ品です。
THIS PRODUCT IS Au PLATING OF 52808 SERIES.
- ELV 及び RoHS適合品
ELV AND RoHS COMPLIANT.



DETAIL "F"

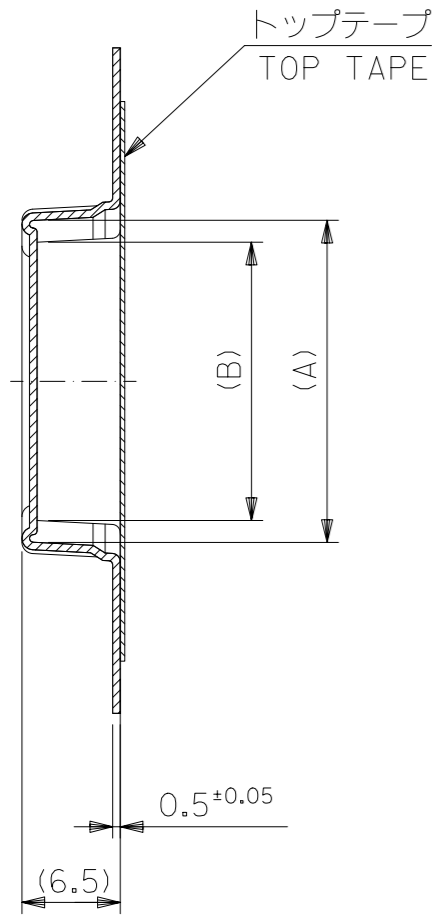
THIS DRAWING CONTAINS INFORMATION THAT IS PROPRIETARY TO MOLEX ELECTRONIC TECHNOLOGIES, LLC AND SHOULD NOT BE USED WITHOUT WRITTEN PERMISSION		CURRENT REV DESC: OBSOLETE PART NUMBER		molex	
DIMENSION UNITS	SCALE				
mm	NTS			PRODUCT CUSTOMER DRAWING	
GENERAL TOLERANCES (UNLESS SPECIFIED)		EC NO: 641324		DOCUMENT NUMBER	
ANGULAR TOL ± 0.0°		DRWN: AKUMAR19 2020/03/18		528080003	
4 PLACES ± 0.0		CHK'D: GGA 2020/08/27		DOC TYPE DOC PART REVISION	
3 PLACES ± 0.0		APPR: GGA 2020/08/27		PSD 000 B	
2 PLACES ± 0.0		INITIAL REVISION:		MATERIAL NUMBER	
1 PLACE ± 0.0		DRWN: MTAKAHASHI04 2016/01/21		CUSTOMER	
0 PLACES ± 0.0		APPR: TKUSUHARA01 2016/01/28		GENERAL	
DRAFT WHERE APPLICABLE MUST REMAIN WITHIN DIMENSIONS		THIRD ANGLE PROJECTION	DRAWING	SERIES	SHEET NUMBER
			A3-SIZE	52808	1 OF 3



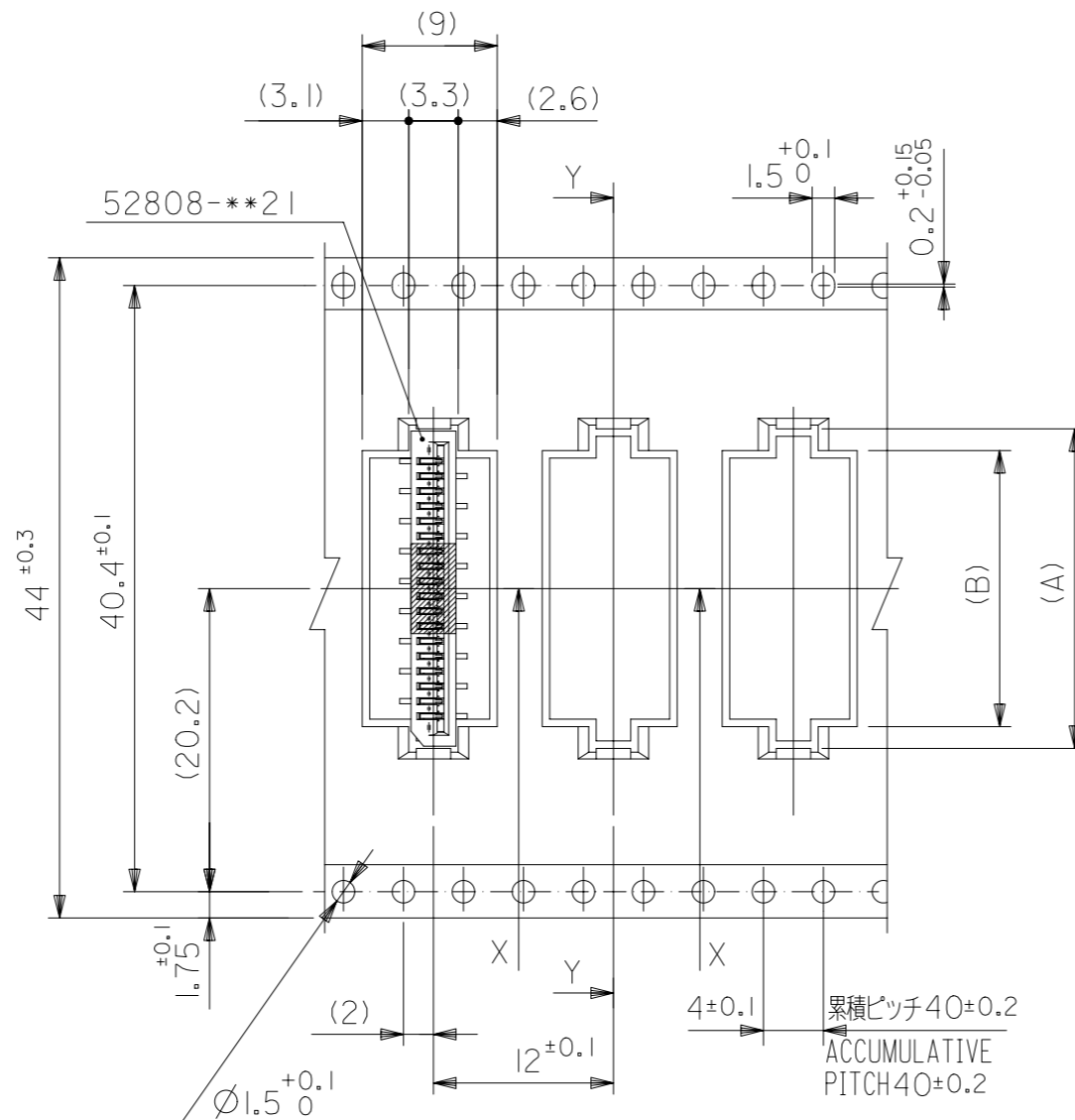
32mm幅キャリアテープ
32mm WIDTH CARRIER TAPE

32	37.4	33.4	14.4	17.3	52808-1473	14
キャリアテープ幅 CARRIER TAPE WIDTH	D	C	(B)	(A)	EMBOSSED PACKAGE オーダー番号 ORDER NO.	極数 CKT.
					MODEL NO.	52808-**73

THIS DRAWING CONTAINS INFORMATION THAT IS PROPRIETARY TO MOLEX ELECTRONIC TECHNOLOGIES, LLC AND SHOULD NOT BE USED WITHOUT WRITTEN PERMISSION		CURRENT REV DESC: OBSOLETE PART NUMBER		molex	
DIMENSION UNITS	SCALE				
mm	NTS			PRODUCT CUSTOMER DRAWING	
GENERAL TOLERANCES (UNLESS SPECIFIED)		EC NO: 641324		DOCUMENT NUMBER	
ANGULAR TOL ± 0.0°		DRWN: AKUMAR19		528080003	
4 PLACES ± 0.0		2020/03/18		DOC TYPE DOC PART REVISION	
3 PLACES ± 0.0		CHK'D: GGA		PSD 000 B	
2 PLACES ± 0.0		APPR: GGA		2020/08/27	
1 PLACE ± 0.0		INITIAL REVISION:		MATERIAL NUMBER	
0 PLACES ± 0.0		DRWN: MTAKAHASHI04		CUSTOMER	
DRAFT WHERE APPLICABLE MUST REMAIN WITHIN DIMENSIONS		APPR: TKUSUHARA01		GENERAL	
		THIRD ANGLE PROJECTION		SHEET NUMBER	
		DRAWING		2 OF 3	
		A3-SIZE			
		SERIES			
		52808			

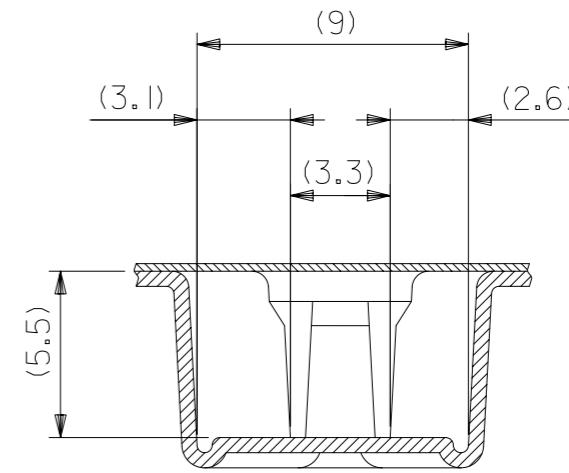


SECT:Y-Y



引き出し方向
PULL OUT DIRECTION

44mm幅キャリアテープ
44mm WIDTH CARRIER TAPE

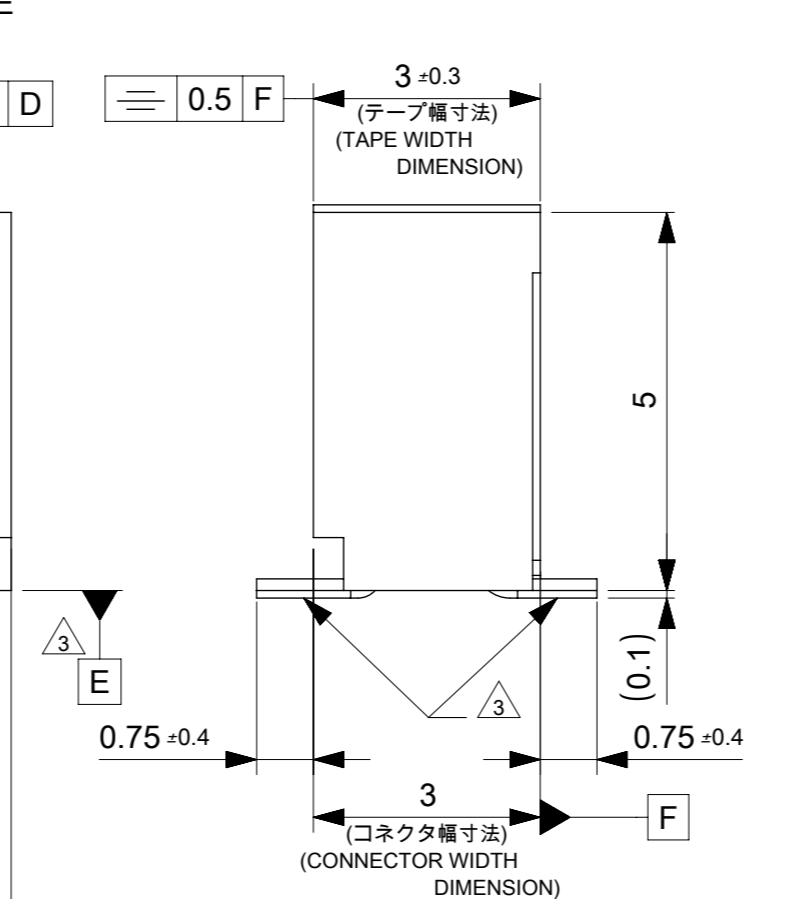
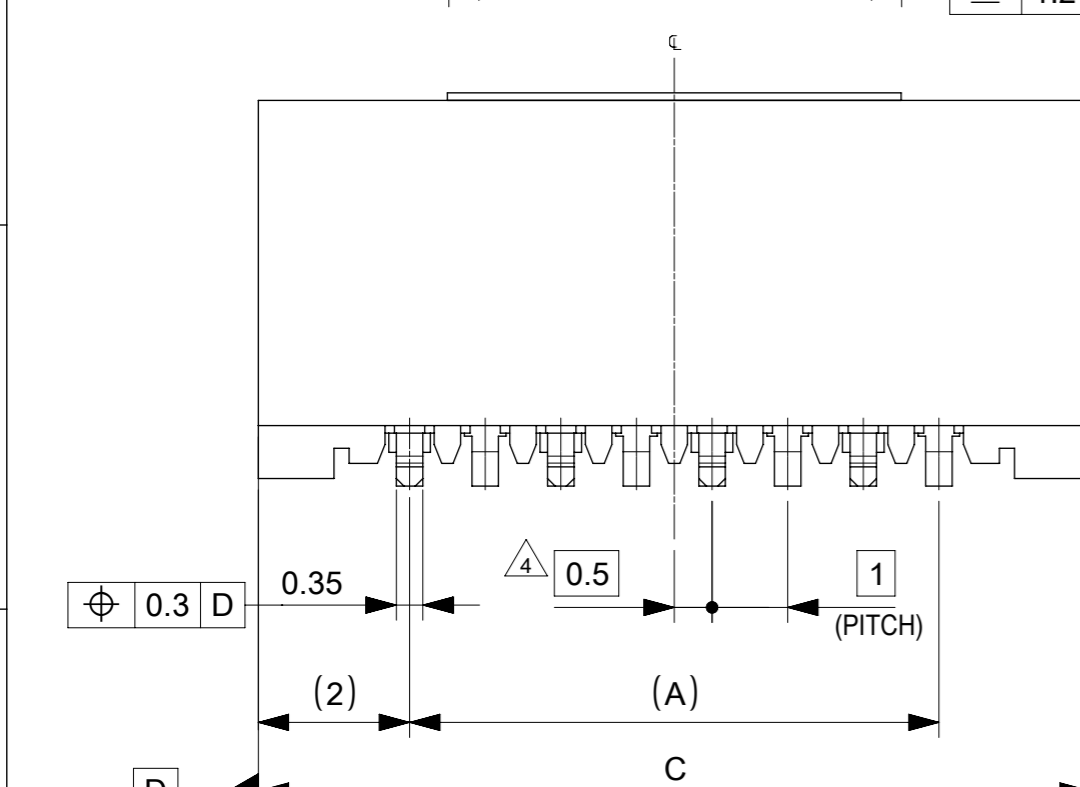
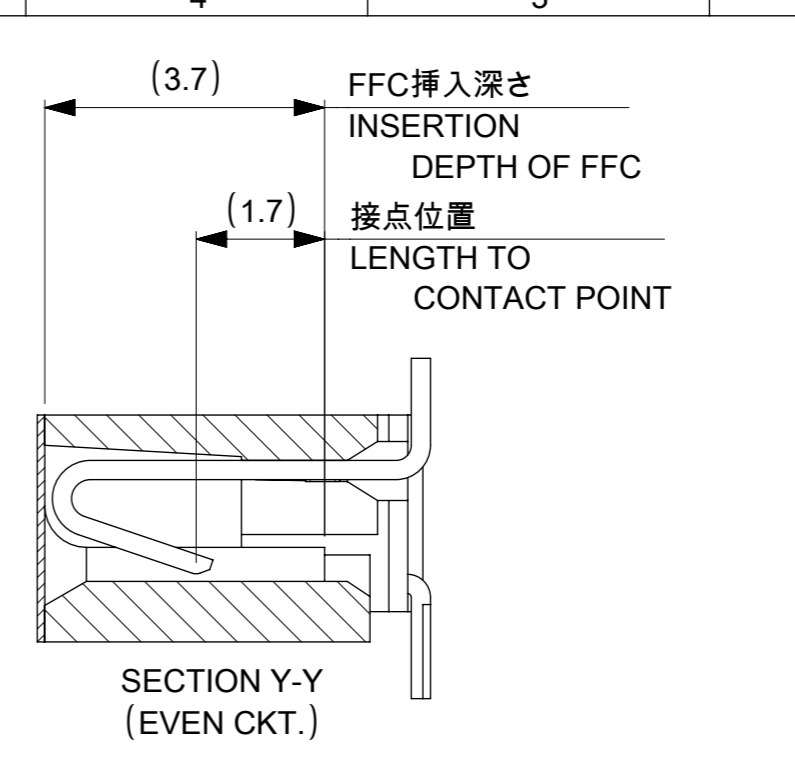
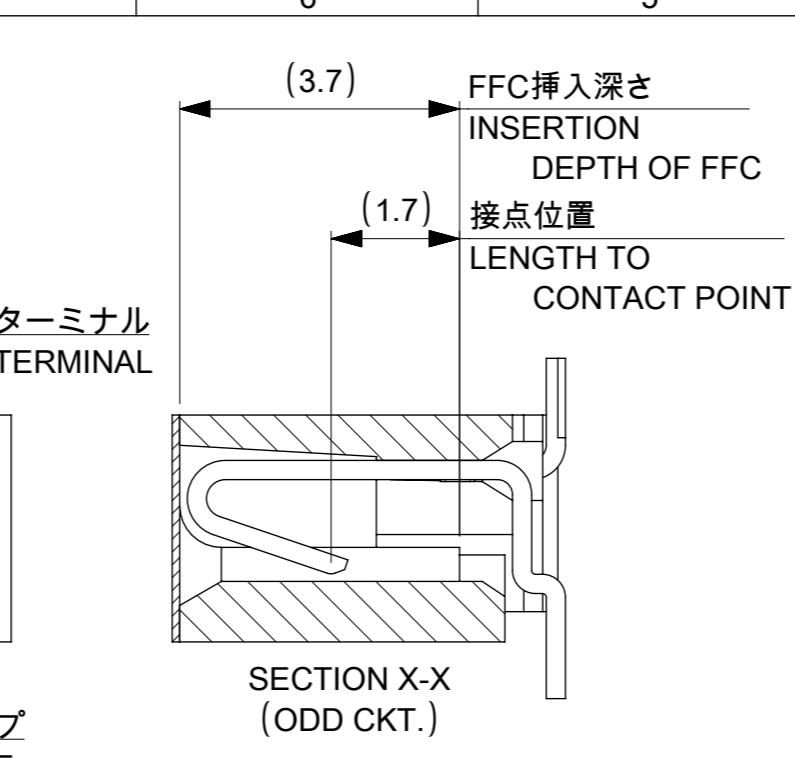
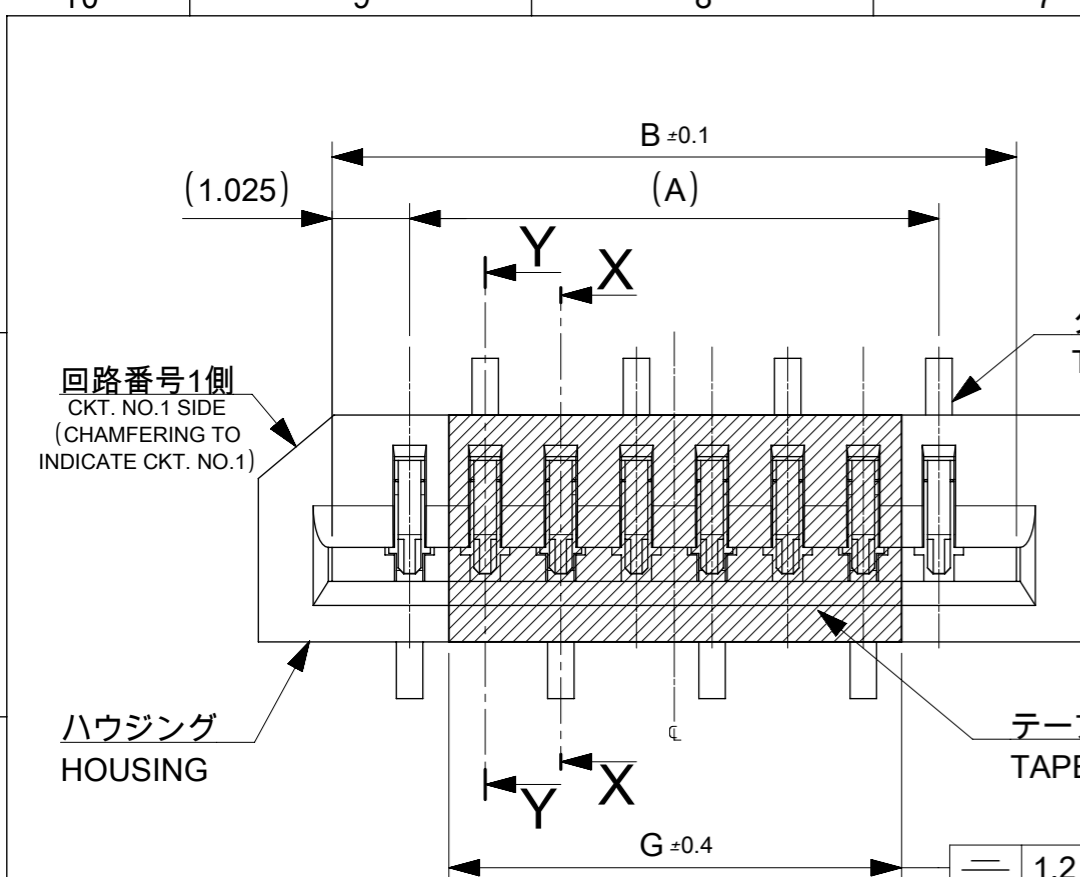


SECT:X-X

44	49.4	45.4	20.4	23.3	52808-2073	20
キャリアテープ幅 CARRIER TAPE WIDTH	D	C	(B)	(A)	EMBOSSED PACKAGE オーダー番号 ORDER NO.	極数 CKT.

MODEL NO. 52808-**73

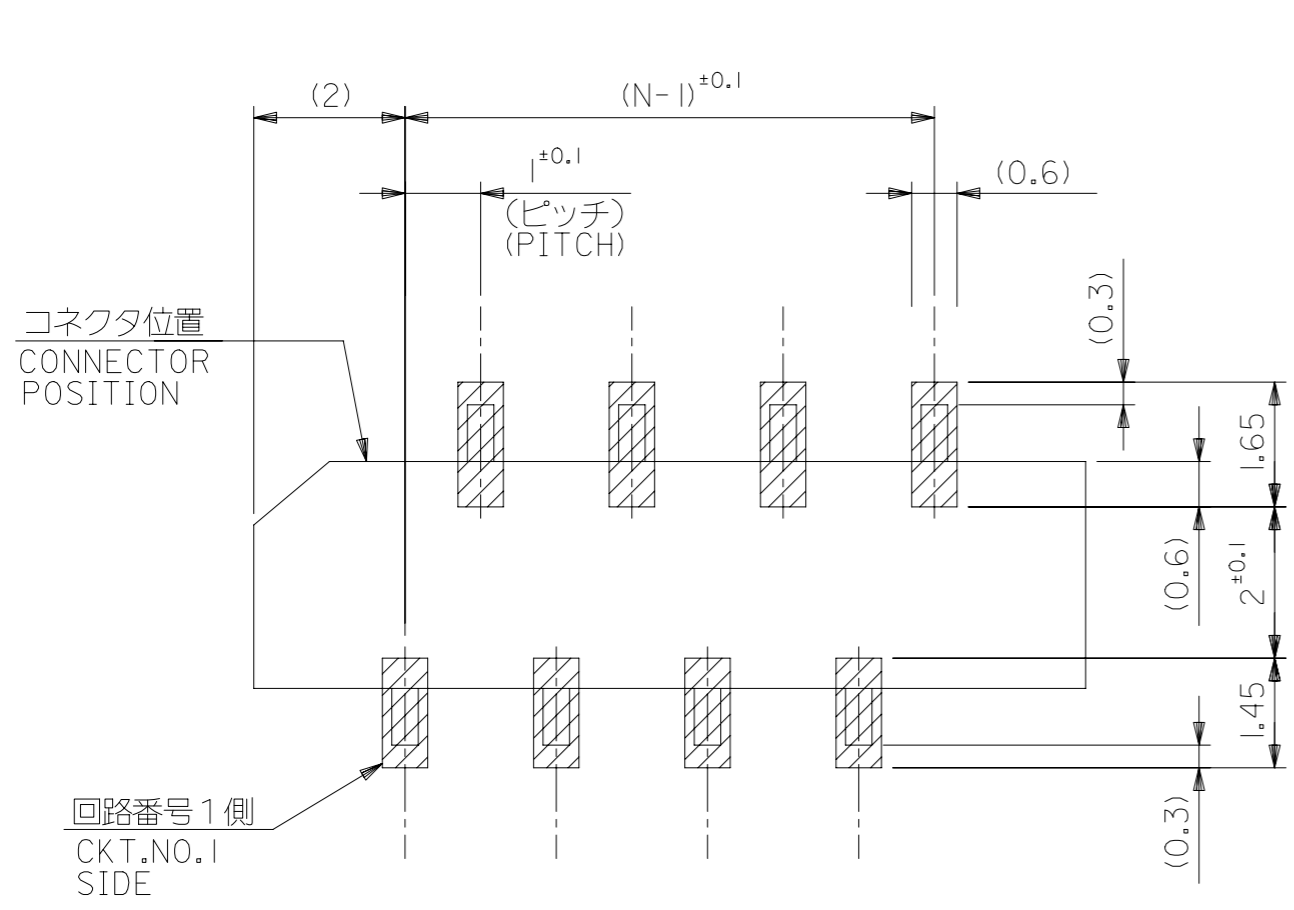
THIS DRAWING CONTAINS INFORMATION THAT IS PROPRIETARY TO MOLEX ELECTRONIC TECHNOLOGIES, LLC AND SHOULD NOT BE USED WITHOUT WRITTEN PERMISSION		CURRENT REV DESC: OBSOLETE PART NUMBER		molex	
DIMENSION UNITS	SCALE				
mm	NTS			PRODUCT CUSTOMER DRAWING	
GENERAL TOLERANCES (UNLESS SPECIFIED)		EC NO: 641324		DOCUMENT NUMBER	
ANGULAR TOL ± 0.0°		DRWN: AKUMAR19 2020/03/18		528080003	
4 PLACES ± 0.0		CHK'D: GGA 2020/08/27		DOC TYPE DOC PART REVISION	
3 PLACES ± 0.0		APPR: GGA 2020/08/27		PSD 000 B	
2 PLACES ± 0.0		INITIAL REVISION:		MATERIAL NUMBER	
1 PLACE ± 0.0		DRWN: MTAKAHASHI04 2016/01/21		CUSTOMER	
0 PLACES ± 0.0		APPR: TKUSUHARA01 2016/01/28		GENERAL	
DRAFT WHERE APPLICABLE MUST REMAIN WITHIN DIMENSIONS		THIRD ANGLE PROJECTION	DRAWING	SERIES	SHEET NUMBER
			A3-SIZE	52808	3 OF 3



6	23	21.05	19	52808-2073	20
	17	15.05	13	52808-1473	14
G	C	B	A	EMBOSSED PACKAGE	Ckt
				オーダー番号 ORDER NO.	

THIS DRAWING CONTAINS INFORMATION THAT IS PROPRIETARY TO MOLEX ELECTRONIC TECHNOLOGIES, LLC AND SHOULD NOT BE USED WITHOUT WRITTEN PERMISSION

DIMENSION UNITS	SCALE	CURRENT REV DESC: OBSOLETE PART NUMBER			
mm	10:1	molex			
GENERAL TOLERANCES (UNLESS SPECIFIED)					
ANGULAR TOL	$\pm 1.0^\circ$	1.0 FFC CONN NON ZIF SMT ST ASSY			
4 PLACES	± 0.05	PRODUCT CUSTOMER DRAWING			
3 PLACES	± 0.1	EC NO: 641324	2020/03/18	DOCUMENT NUMBER	
2 PLACES	± 0.2	DRWN: AKUMAR19	2020/08/27	528081003	PSD 000 B
1 PLACE	± 0.2	CHK'D: GGA	2020/08/27	DOC TYPE DOC PART REVISION	
0 PLACES	± 0.2	APPR: GGA	2020/08/27	SHEET NUMBER	
INITIAL REVISION:		DRWN: MTAKAHASHI04	2016/01/18	MATERIAL NUMBER	
DRAFT WHERE APPLICABLE MUST REMAIN WITHIN DIMENSIONS		APPR: TKUSUHARA01	2016/01/28	CUSTOMER	
THIRD ANGLE PROJECTION		DRAWING	SERIES	SHEET NUMBER	
A3-SIZE		52808	SEE TABLE	GENERAL	



推奨基板レイアウト
 RECOMMENDED P.C.BOARD
PATTERN DIMENSION
 (マウント面)
 (MOUNTING SIDE)

参考メタルマスク厚 : 120μm
 参考メタルマスク開口率 : 100%
 REFERENCE SCREEN THICKNESS : 120μm
 REFERENCE SCREEN OPEN RATIO : 100%

注記 NOTES

1. 使用材料 MATERIAL
 ハウジング : ポリフェニレンサルファイド(PPS) ナチュラル(白色) ガラス充填 UL94V-0
 HOUSING POLY PHENYLENE SULFIDE NATURAL(WHITE) GLASS FILLED UL94V-0
 ターミナル : リン青銅(t=0.25)
 TERMINAL PHOSPHOR BRONZE (t=0.25)

2. めっき仕様 PLATING
 ターミナル TERMINAL
 接点部 : 金メッキ(0.1μm以上)
 半田付部 : 錫メッキ(1.0μm以上)
 下地 : ニッケルメッキ(1.0μm以上)
 CONTACT PORTION : GOLD PLATING (0.1μm MIN)
 SOLDERING PORTION : TIN PLATING (1.0μm MIN)
 UNDER PLATING : NICKEL PLATING (1.0μm MIN)

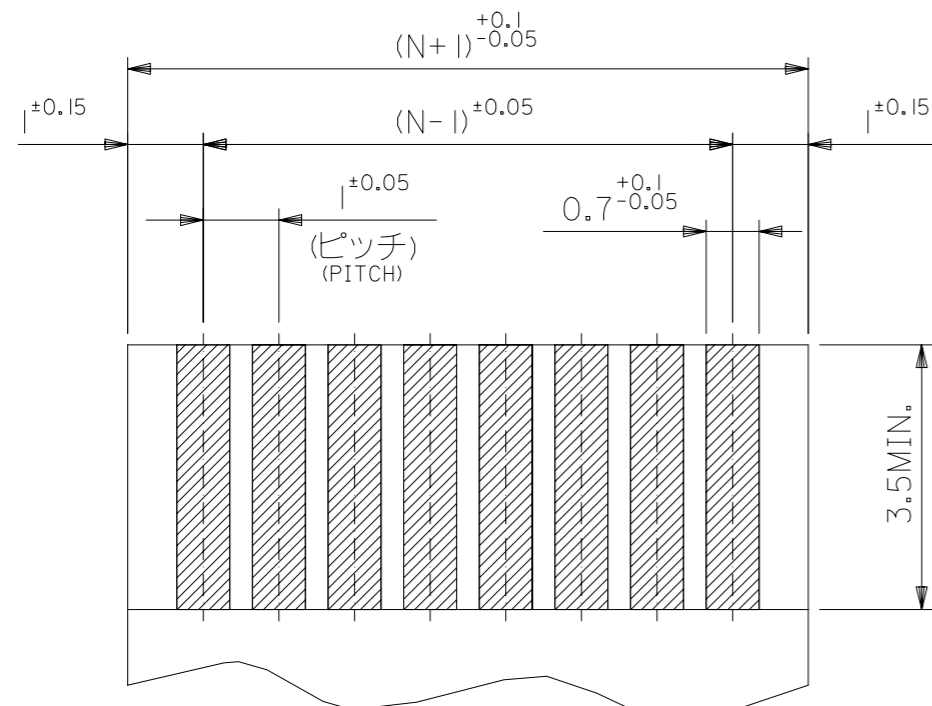
△3 基準面 E からのソルダータールの半田付け面のズレ量は、
 上方向に0.1MAX、下方向に0.15MAXとする。
 MISALIGNMENT OF SOLDER TAIL FROM E
 UPPER DIRECTION 0.1 MAX , LOWER DIRECTION 0.15 MAX.

△4 偶数極に適用。
 APPLY FOR EVEN CKT.

5. 本製品は 52808シリーズの金メッキ品です。
 THIS PRODUCT IS Au PLATING OF 52808 SERIES.

6. ELV 及び RoHS適合品。
 ELV AND RoHS COMPLIANT.

THIS DRAWING CONTAINS INFORMATION THAT IS PROPRIETARY TO MOLEX ELECTRONIC TECHNOLOGIES, LLC AND SHOULD NOT BE USED WITHOUT WRITTEN PERMISSION										
DIMENSION UNITS	SCALE	CURRENT REV DESC: OBSOLETE PART NUMBER					molex			
mm	1:1									
GENERAL TOLERANCES (UNLESS SPECIFIED)							1.0 FFC CONN NON ZIF SMT ST ASSY			
ANGULAR TOL	± 1.0 °						PRODUCT CUSTOMER DRAWING			
4 PLACES	± 0.05	EC NO: 641324								
3 PLACES	± 0.1	DRWN: AKUMAR19	2020/03/18							
2 PLACES	± 0.2	CHK'D: GGA	2020/08/27							
1 PLACE	± 0.2	APPR: GGA	2020/08/27							
0 PLACES	± 0.2	INITIAL REVISION:				DOCUMENT NUMBER		DOC TYPE	DOC PART	REVISION
		DRWN: MTAKAHASHI04	2016/01/18			528081003		PSD	000	B
		APPR: TKUSUHARA01	2016/01/28			SEE TABLE		GENERAL		2 OF 3
DRAFT WHERE APPLICABLE MUST REMAIN WITHIN DIMENSIONS		THIRD ANGLE PROJECTION	DRAWING	SERIES	MATERIAL NUMBER	CUSTOMER		SHEET NUMBER		
			A3-SIZE	52808	SEE TABLE	GENERAL		2 OF 3		



(仕上り厚さ : 0.3±0.03)
 (THICKNESS : 0.3±0.03)
適合金メッキFPC/FFC推奨寸法
APPLICABLE GOLD FPC/FFC
RECOMMENDED DIMENSION

FPC/FFCについて

打ち抜き方向は導体側から補強板側を推奨致します。
 導体部については軟箔銅35μmまたは50μmを推奨致します。
 接着剤の接点部への付着は導通不良の原因になりますので、染み出しが無い様お願い致します。
 FPC/FFCに規定された定格温度がFPC/FFC単体前提である場合が御座います。
 コネクタと組み合わせての実使用において、接着層が劣化する等の信頼性を満足できないケースを回避する為、
 実機での評価/確認をお願い致します。

ABOUT FPC/FFC

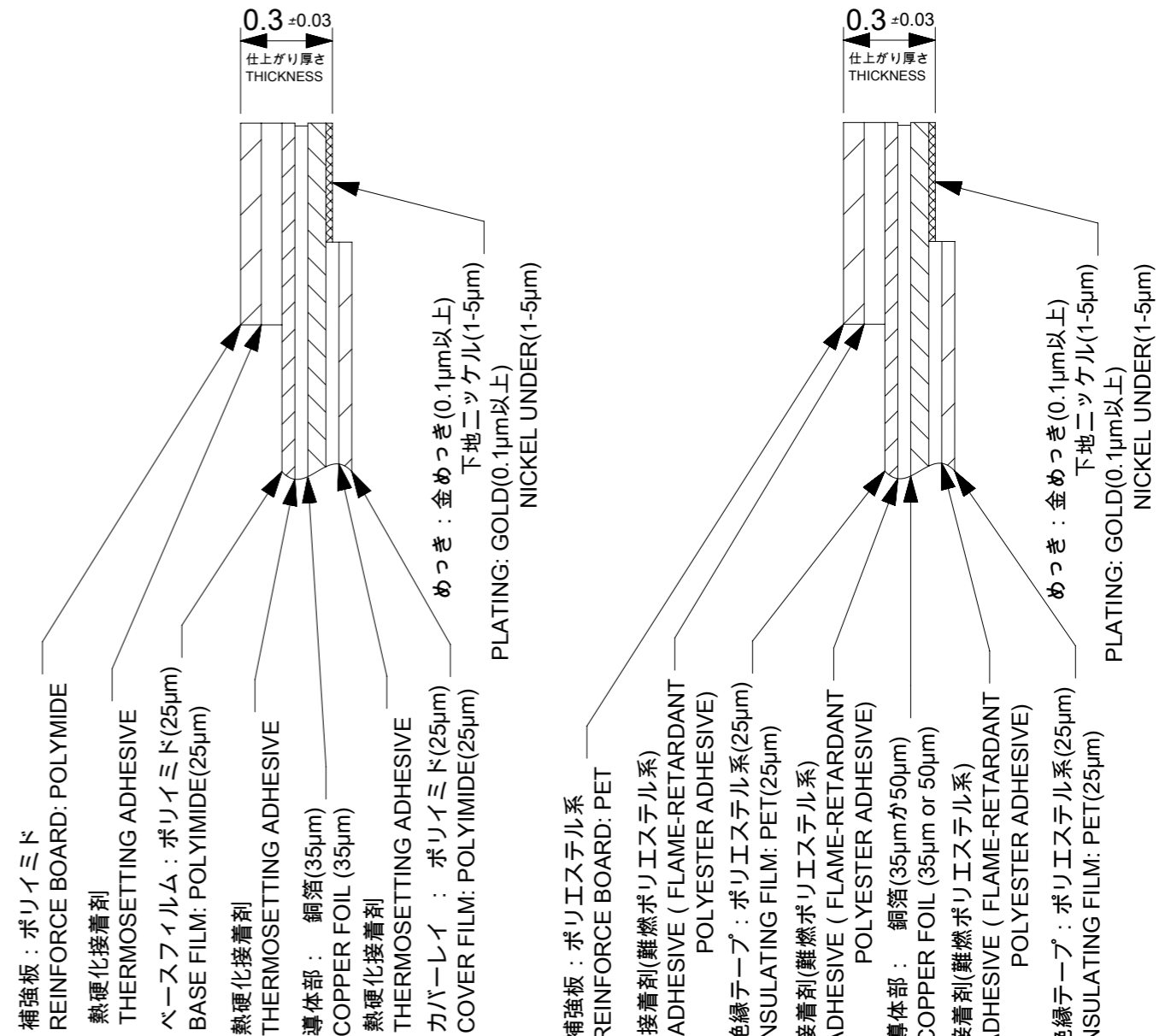
RECOMMENDED PUNCHING DIRECTION: FROM CONDUCTOR SIDE TO STIFFENER SIDE
 RECOMMENDED CONDUCTOR SPEC: SOFT COPPER FOIL
 RECOMMENDED CONDUCTOR THICKNESS: 35 MICROMETER OR 50 MICROMETER
 PLEASE PUT APPROPRIATE AMOUNT OF ADHESIVE ON ADHEREND BECAUSE THERE IS
 A POSSIBILITY THAT EXTRA ADHESIVE CAUSES THE DEFECT IN ELECTRICAL CONTINUITY
 THE HEAT RESISTANCE OF FFC IS ONLY FFC SPEC
 TO PREVENT THE CASE THAT RELIABILITY CANNOT BE SATISFIED (THE ADHESIVE IS
 DETERIORATED etc.) PLEASE DO THE EVALUATION AND THE CONFIRMATION WITH
 ACTUAL CONNECTER

FPCについて

補強フィルム材質はポリイミドを推奨します。ベースフィルムは25μmを推奨します。
 接着剤は熱硬化接着剤を推奨します。

ABOUT FPC

RECOMMENDED STIFFENER MATERIAL: POLYIMIDE
 RECOMMENDED BASE FILM THICKNESS: 25 MICROMETER
 RECOMMENDED ADHESIVE: THERMOSETTING ADHESIVE



FPC構成推奨仕様
STRUCTURE OF FPC

FFC構成推奨仕様
STRUCTURE OF FFC

THIS DRAWING CONTAINS INFORMATION THAT IS PROPRIETARY TO MOLEX ELECTRONIC TECHNOLOGIES, LLC AND SHOULD NOT BE USED WITHOUT WRITTEN PERMISSION												
DIMENSION UNITS: mm		SCALE: 1:1		CURRENT REV DESC: OBSOLETE PART NUMBER								
GENERAL TOLERANCES (UNLESS SPECIFIED)												
ANGULAR TOL ± 1.0°												
4 PLACES ± 0.05		EC NO: 641324		2020/03/18		1.0 FFC CONN NON ZIF SMT ST ASSY						
3 PLACES ± 0.1		DRWN: AKUMAR19		2020/08/27								
2 PLACES ± 0.2		CHK'D: GGA		2020/08/27		PRODUCT CUSTOMER DRAWING						
1 PLACE ± 0.2		APPR: GGA		2020/08/27								
0 PLACES ± 0.2		INITIAL REVISION:		DOCUMENT NUMBER		DOC TYPE		DOC PART		REVISION		
DRAFT WHERE APPLICABLE MUST REMAIN WITHIN DIMENSIONS		THIRD ANGLE PROJECTION		DRAWING		SERIES		MATERIAL NUMBER		CUSTOMER		SHEET NUMBER
				A3-SIZE		52808		528081003		PSD 000 B		3 OF 3
DOCUMENT STATUS		P1	RELEASE DATE		2020/08/27		08:37:43					