

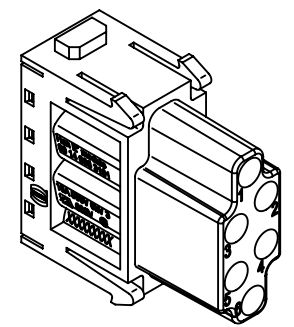
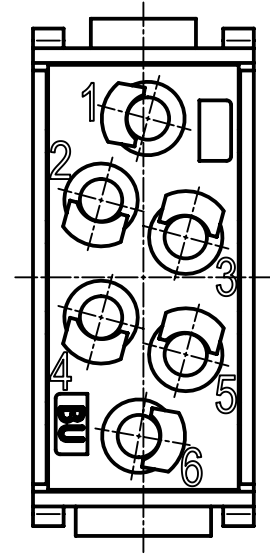
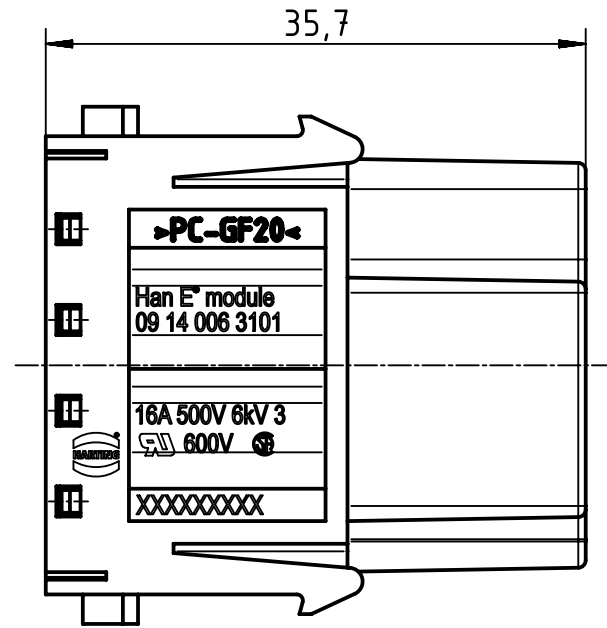
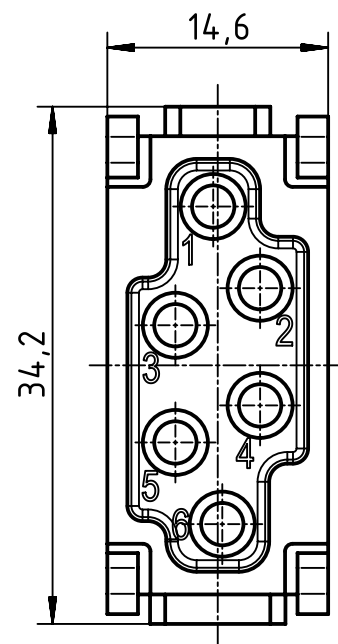
1 2 3 4 5 6


A

B

C

D



	All rights reserved Department EL PD - DE	Created by QUADE		Inspected by SCHNIEDER		Standardisation RUETERA		Date 2016-11-23		State Final Release	
		Title Han 6 Mod bu-c 16A								Doc-Key / ECM-Nr. 100086577/UGD/010/C 500000111885	
HARTING Electric GmbH & Co. KG D-32339 Espelkamp		Type TB		Number 09 14 006 3101				Rev. C		Page 1/1	
All Dimensions in mm Original Size DIN A4		Scale 2:1		Free size tol.				Ref. Sub. TB 09 14 006 3101 v. 08.06.16			