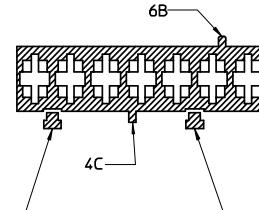


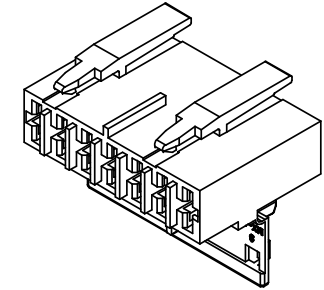
Dettaglio1
SCALA 5:1

CONFIGURAZIONE POLARIZZAZIONI
POLARIZATION CONFIGURATION



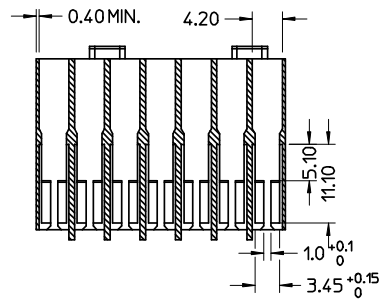
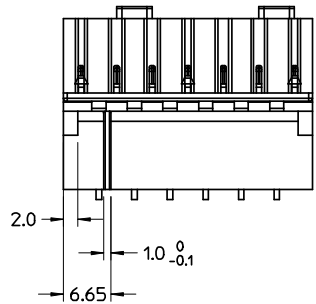
AGGANCI
LATCHES

SEZ: C-C

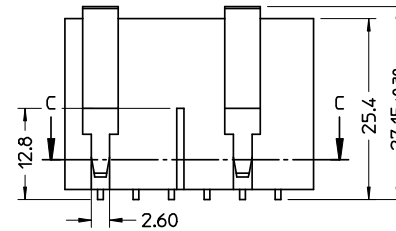
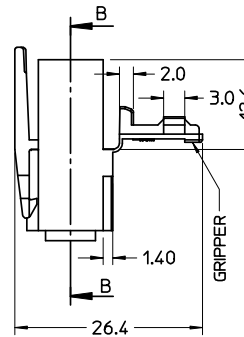


- NOTE:
- USATO CON TERMINALE 94518-0XXX E 94549-0XXX
 - SPECIFICA DI RIFERIMENTO PER IL CONNETTORE PS-94550-001
 - PER CARATTERISTICHE DI CRIMPATURA RIF. SD-94518-005 E SD-94549-001
 - FORZA DI DISACCOPIAMENTO CONNETTORE (TRAZIONANDO DAI CAVI SENZA AZIONARE L'AGGANCI): 60 N MIN.
 - SPESSORE MINIMO PARETI CONNETTORE 0.40 mm.

- NOTE:
- USED WITH TERMINALS 94518-0XXX AND 94549-0XXX
 - REFER TO PS-94550-001 FOR CONNECTOR SPECIFICATION
 - REFER TO SD-94518-005 FOR AND SD-94549-001 CRIMPING CHARACTERISTICS
 - CONNECTOR DISENGAGEMENT FORCE (PULLING BY THE WIRES, WITHOUT ACTUATING THE LATCH): 60 N MIN.
 - MINIMUM CONNECTOR WALL THICKNESS 0.40 mm.



SEZ: B-B



MATERIALE: NYLON 6.6 GWT 750°C SEC. IEC 60335-1
TEST METHOD IEC 60695-2-11 COLORE NATURALE

MATERIAL: NYLON 6.6 GWT 750°C SEC. IEC 60335-1
TEST METHOD IEC 60695-2-11 NATURAL

CONFEZIONE: Box da 900 Pz.
PACKAGING: 900 pcs in carton box

SPQ =900

Std. Descr: 'HSG W/SEC LOCK AND LATCHES 7 CKT _____ COLOR'

| | | | | | | | |
|---|--|---|--|--|---------------------------------------|--|--------------------|
| EC NO: Z2006-0211 DRWN:FGOTTARDI 2006/06/05 CHKD:RSANDANO 2006/06/05 APPR:GZUIN 2006/06/07 | DESCRIPTION HSG 7 CKT WITH SEC. LOCK AND EXTERNAL LATCH | QUALITY SYMBOLS | GENERAL TOLERANCES (UNLESS SPECIFIED) | SCALE 2:1 | DESIGN UNITS METRIC | FIRST ANGLE PROJECTION | REVISE ON CAD ONLY |
| | | $\nabla = 0$ $\sphericalangle = 0$ | 4 PLACES ± --- ± --- 3 PLACES ± --- ± --- 2 PLACES ± 0.10 ± --- 1 PLACE ± 0.2 ± --- | DIMENSION STYLE MM ONLY | DRAWN BY FGOTTARDI DATE 2006/05/25 | TITLE HSG 7 CKT WITH SEC. LOCK AND EXTERNAL LATCH | |
| | | DRAFT WHERE APPLICABLE MUST REMAIN WITHIN DIMENSIONS | APPROVED BY GZUIN DATE 2006/05/25 | CHECKED BY RSANDANO DATE 2006/05/25 | MOLEX INCORPORATED | | |
| | | THIS DRAWING CONTAINS INFORMATION THAT IS PROPRIETARY TO MOLEX INCORPORATED AND SHOULD NOT BE USED WITHOUT WRITTEN PERMISSION | MATERIAL NO. 94550-4207 DOCUMENT NO. SD-94550-031 | SHEET NO. 1 OF 1 | A2 | | |