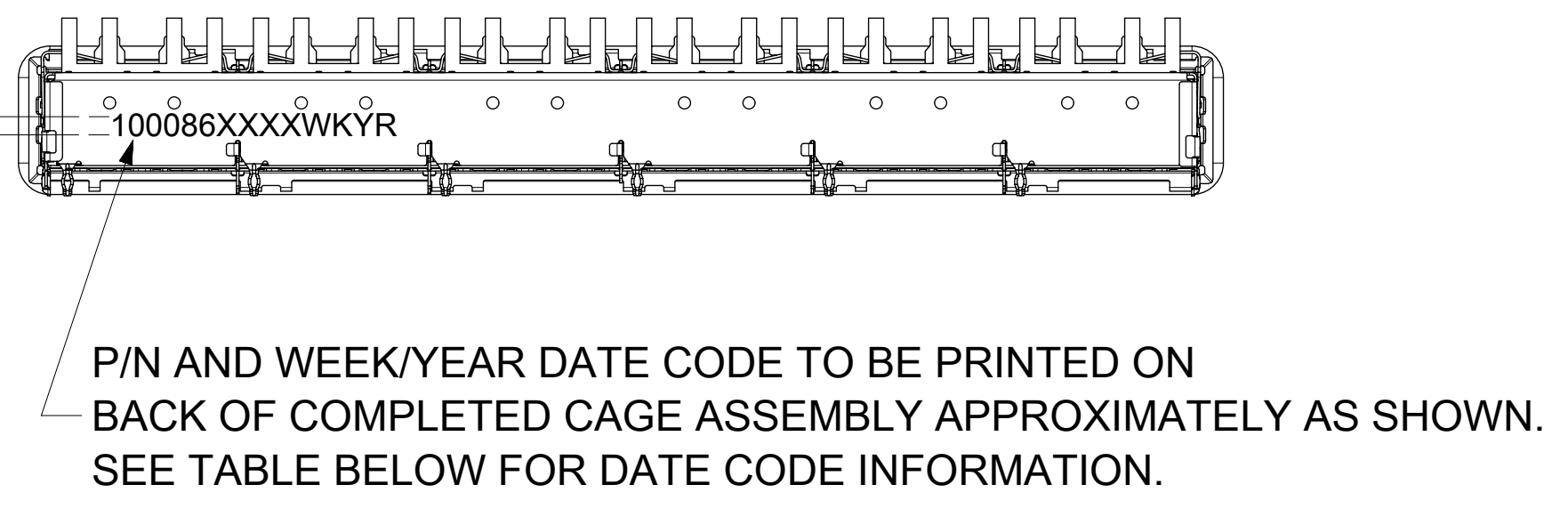
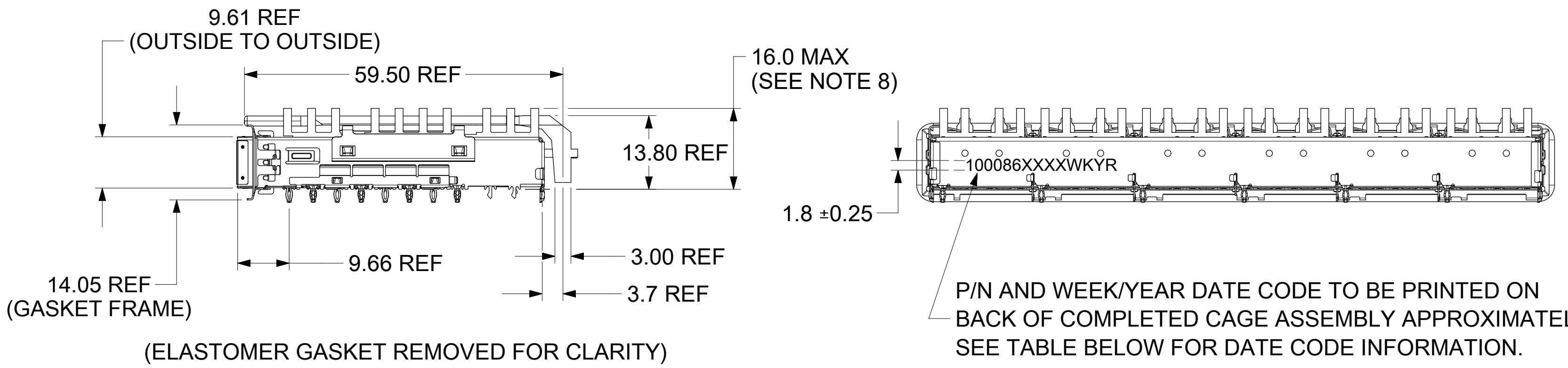
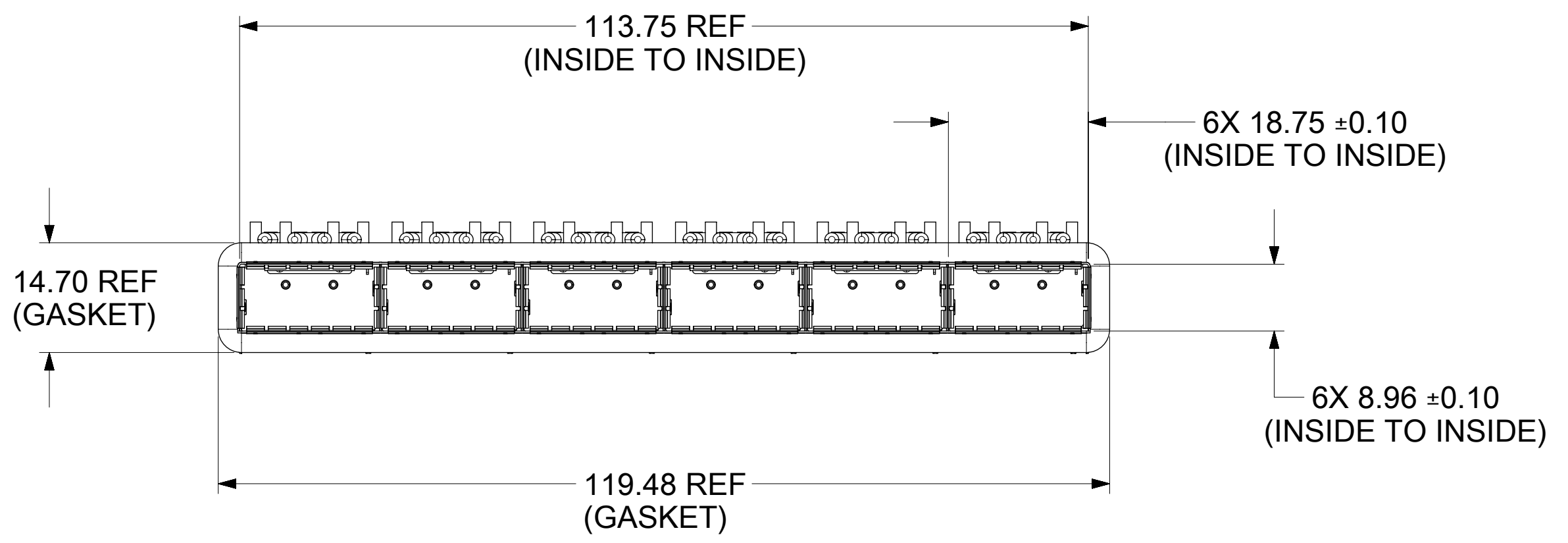
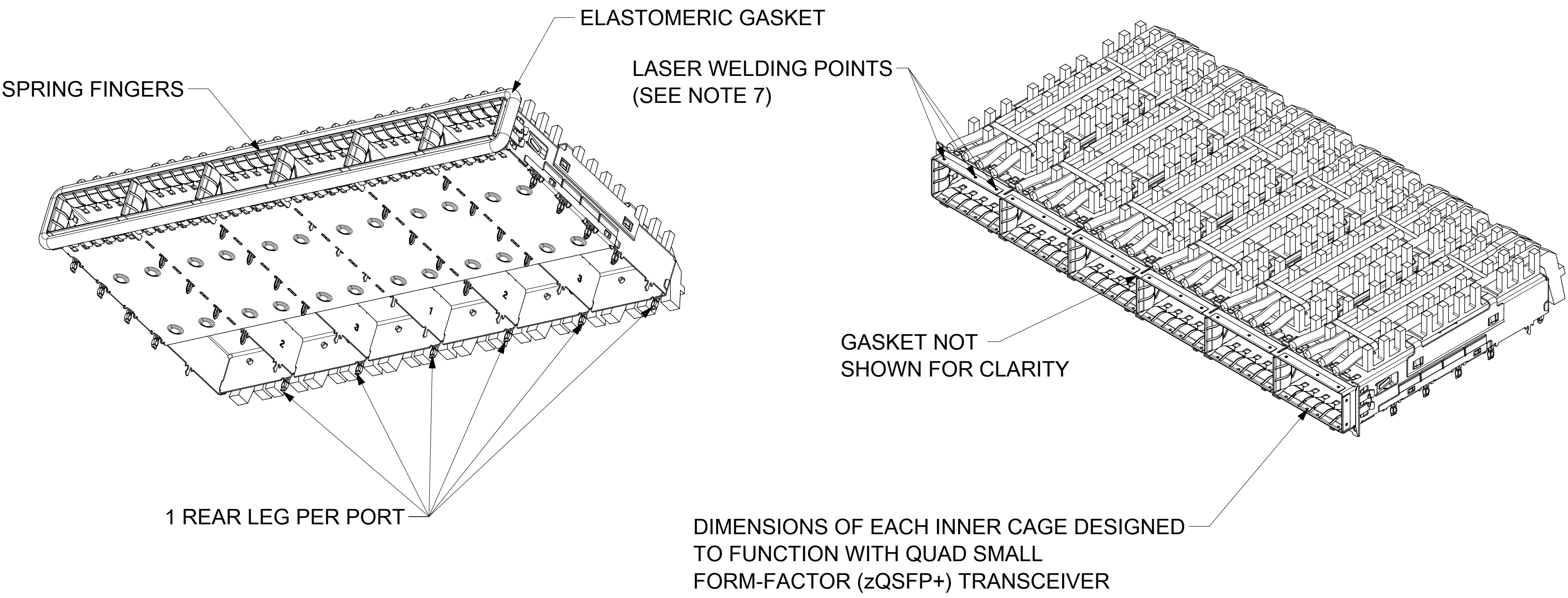
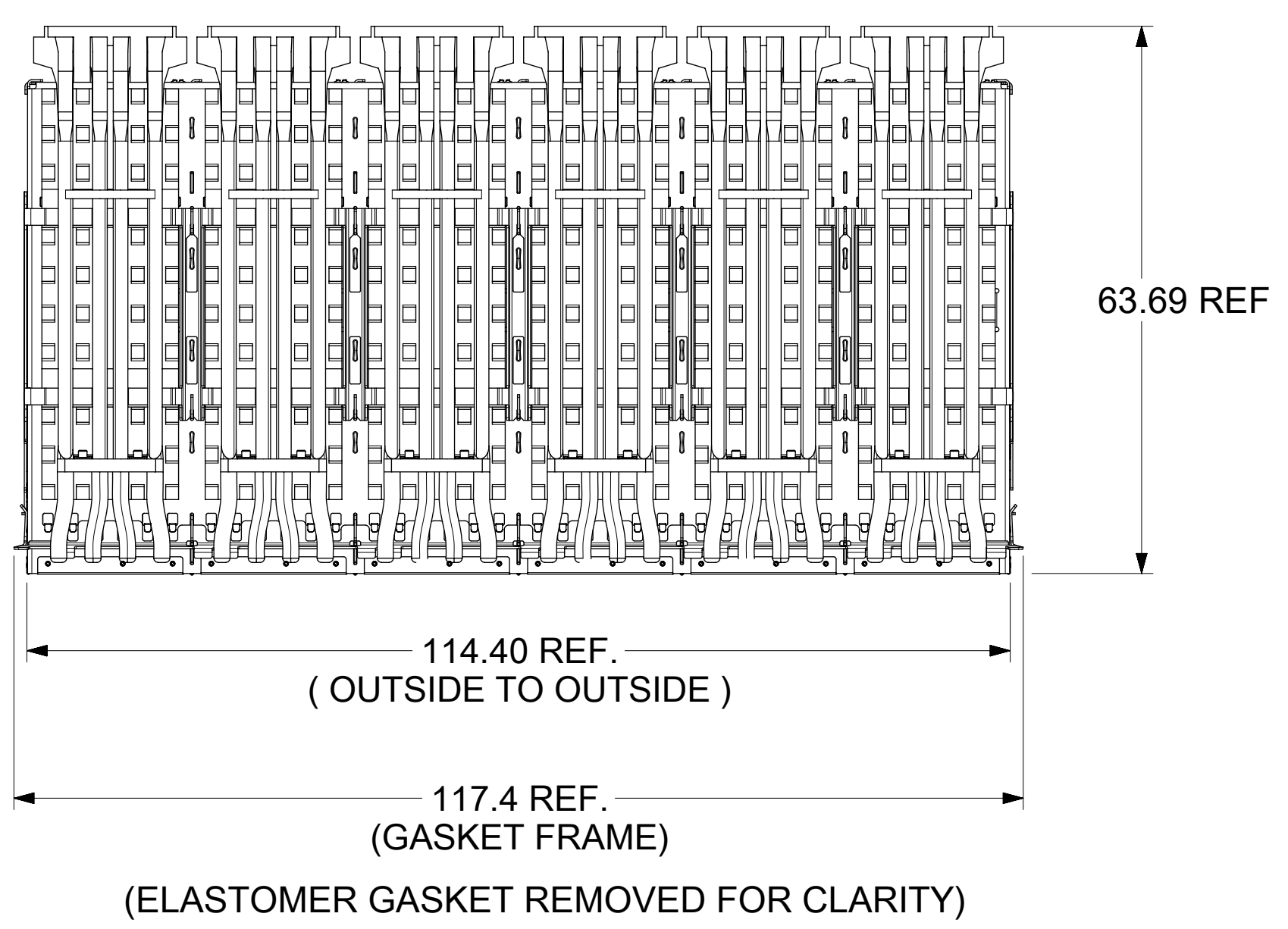


BASE CAGE DETAILS

1000863747 SHOWN

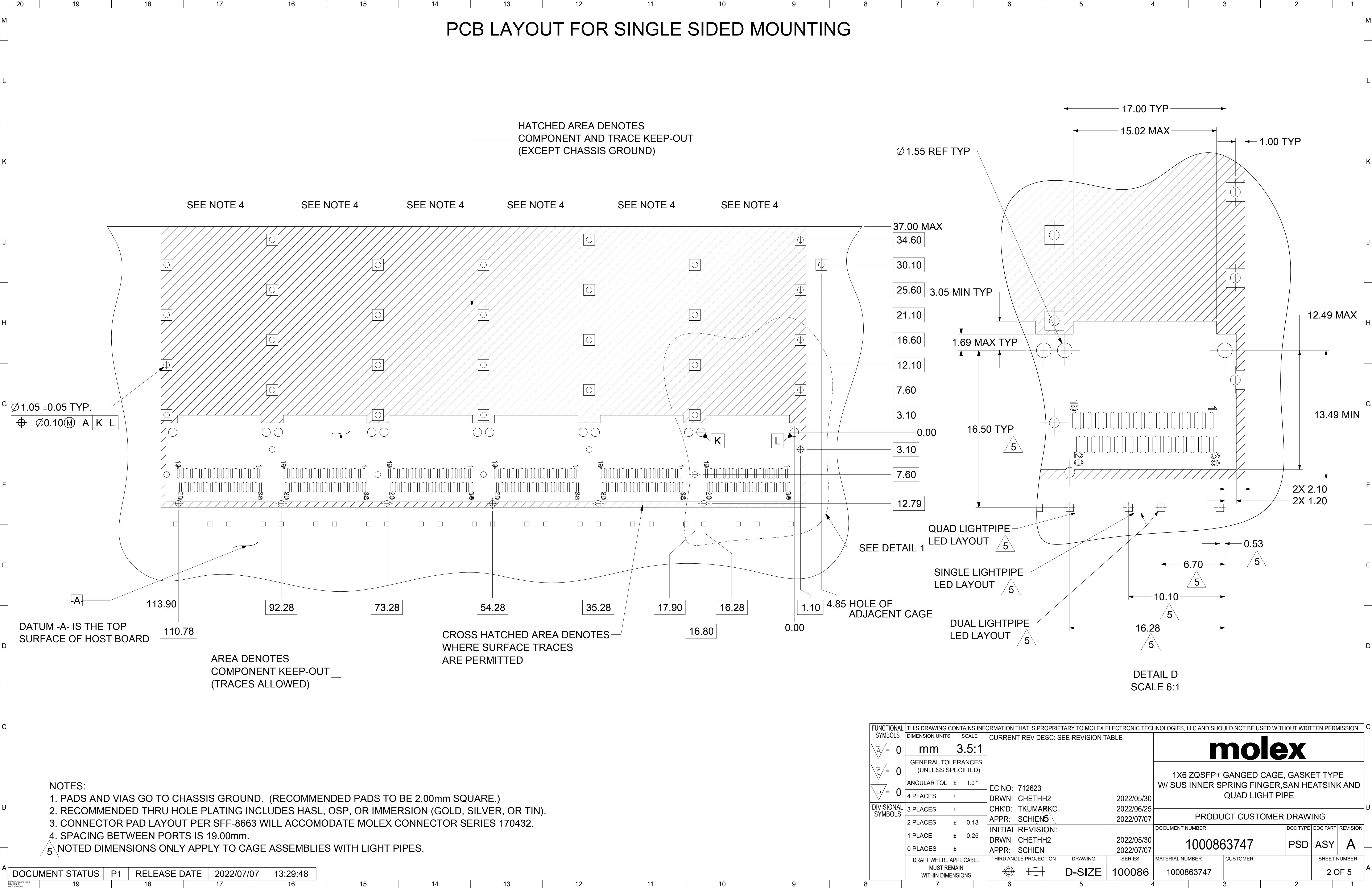


- NOTES:
- MATERIAL:
CAGE: STAINLESS STEEL
CENTER WALLS: STAINLESS STEEL
SPRING FINGERS: STAINLESS STEEL
GASKET FLANGE: STAINLESS STEEL
HEAT SINKS: NICKEL PLATED ALUMINUM
HEAT SINK CLIP: STAINLESS STEEL
LIGHT PIPES: POLYCARBONATE (UL 94-V-0)
GASKET: ELASTOMER (UL 94-V-0)
 - DURING INCOMING INSPECTION, CAGE LEG LOCATIONS AND STRAIGHTNESS MUST BE CHECKED USING APPROPRIATE GO - NO GO GAGE
 - DURING INCOMING INSPECTION, CAGE MUST BE INSPECTED TO MAKE SURE LEG CONFIGURATIONS AND PART NUMBERS ARE CORRECT.
 - PARTS TO BE INSPECTED PER MOLEX COSMETIC SPEC WI-HP-7-2774 (CLASS B UNLESS OTHERWISE SPECIFIED)
 - PRESS-FIT LEGS 2.44mm LONG -
1.57mm MINIMUM PCB THICKNESS FOR SINGLE SIDED USE.
2.70mm MINIMUM PCB THICKNESS FOR BELLY TO BELLY USE.
 - NO RoHS EXEMPTIONS.
 - WELD SPOTS MAY SHOW SLIGHT MATERIAL DISCOLORATION.
 - HEIGHT OF HEAT SINK WITH MODULE INSERTED. DIMENSION MAY BE LESS DUE TO MODULE AND HEAT SINK VARIATIONS

WEEK/YEAR DATE CODE TABLE	
WK	WEEK OF THE YEAR 01 THRU 52 (EXAMPLE: 01= FIRST WEEK OF YEAR 52= LAST WEEK OF YEAR
YR	22, 23, 24 ETC.. (EXAMPLE: YEAR 2022= 22)

FUNCTIONAL SYMBOLS $F_A = 0$ $F_C = 0$ $F_D = 0$	THIS DRAWING CONTAINS INFORMATION THAT IS PROPRIETARY TO MOLEX ELECTRONIC TECHNOLOGIES, LLC AND SHOULD NOT BE USED WITHOUT WRITTEN PERMISSION DIMENSION UNITS: mm SCALE: 3:2 CURRENT REV DESC: SEE REVISION TABLE		
	GENERAL TOLERANCES (UNLESS SPECIFIED) ANGULAR TOL ± 1.0° 4 PLACES ± 3 PLACES ± 2 PLACES ± 0.13 1 PLACE ± 0.25 0 PLACES ±		EC NO: 712623 DRWN: CHETHH2 2022/05/30 CHK'D: TKUMARKC 2022/06/25 APPR: SCHIEN 2022/07/07
	DIVISIONAL SYMBOLS DRAFT WHERE APPLICABLE MUST REMAIN WITHIN DIMENSIONS		INITIAL REVISION: DRWN: CHETHH2 2022/05/30 APPR: SCHIEN 2022/07/07
	THIRD ANGLE PROJECTION 		DRAWING: D-SIZE SERIES: 100086 MATERIAL NUMBER: 1000863747 CUSTOMER:
PRODUCT CUSTOMER DRAWING DOCUMENT NUMBER: 1000863747 DOC TYPE: PSD DOC PART: ASY REVISION: A		SHEET NUMBER: 1 OF 5	

PCB LAYOUT FOR SINGLE SIDED MOUNTING



HATCHED AREA DENOTES COMPONENT AND TRACE KEEP-OUT (EXCEPT CHASSIS GROUND)

SEE NOTE 4 SEE NOTE 4 SEE NOTE 4 SEE NOTE 4 SEE NOTE 4 SEE NOTE 4

Ø 1.05 ± 0.05 TYP.
 ⊕ Ø0.10 (M) A K L

DATUM -A- IS THE TOP SURFACE OF HOST BOARD

AREA DENOTES COMPONENT KEEP-OUT (TRACES ALLOWED)

CROSS HATCHED AREA DENOTES WHERE SURFACE TRACES ARE PERMITTED

QUAD LIGHTPIPE LED LAYOUT

SINGLE LIGHTPIPE LED LAYOUT

DUAL LIGHTPIPE LED LAYOUT

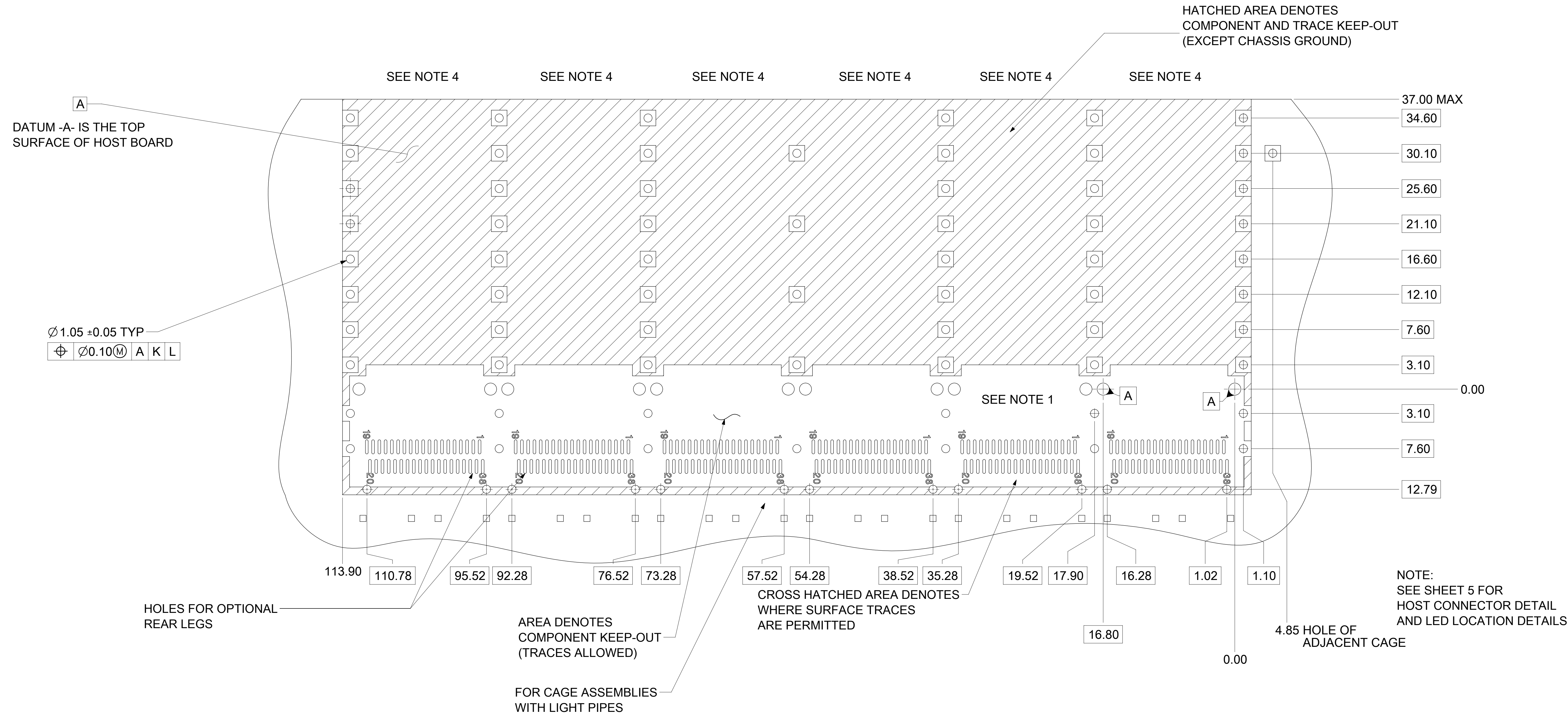
SEE DETAIL 1

DETAIL D
SCALE 6:1

- NOTES:
- PADS AND VIAS GO TO CHASSIS GROUND. (RECOMMENDED PADS TO BE 2.00mm SQUARE.)
 - RECOMMENDED THRU HOLE PLATING INCLUDES HASL, OSP, OR IMMERSION (GOLD, SILVER, OR TIN).
 - CONNECTOR PAD LAYOUT PER SFF-8663 WILL ACCOMODATE MOLEX CONNECTOR SERIES 170432.
 - SPACING BETWEEN PORTS IS 19.00mm.
 - NOTED DIMENSIONS ONLY APPLY TO CAGE ASSEMBLIES WITH LIGHT PIPES.

FUNCTIONAL SYMBOLS	THIS DRAWING CONTAINS INFORMATION THAT IS PROPRIETARY TO MOLEX ELECTRONIC TECHNOLOGIES, LLC AND SHOULD NOT BE USED WITHOUT WRITTEN PERMISSION		CURRENT REV DESC: SEE REVISION TABLE	
	FA = 0	mm	SCALE	3.5:1
DIVISIONAL SYMBOLS	GENERAL TOLERANCES (UNLESS SPECIFIED)			
	FC = 0	ANGULAR TOL ± 1.0°		
DIVISIONAL SYMBOLS	4 PLACES	±	EC NO: 712623	
	3 PLACES	±	DRWN: CHETHH2 2022/05/30	
	2 PLACES	± 0.13	CHK'D: TKUMARKC 2022/06/25	
	1 PLACE	± 0.25	APPR: SCHIEN5 2022/07/07	
DRAFT WHERE APPLICABLE MUST REMAIN WITHIN DIMENSIONS		THIRD ANGLE PROJECTION	DRAWING	SERIES
			D-SIZE	100086
			MATERIAL NUMBER	CUSTOMER
			1000863747	
			DOCUMENT NUMBER	DOC TYPE DOC PART REVISION
			1000863747	PSD ASY A
			SHEET NUMBER	
			2 OF 5	

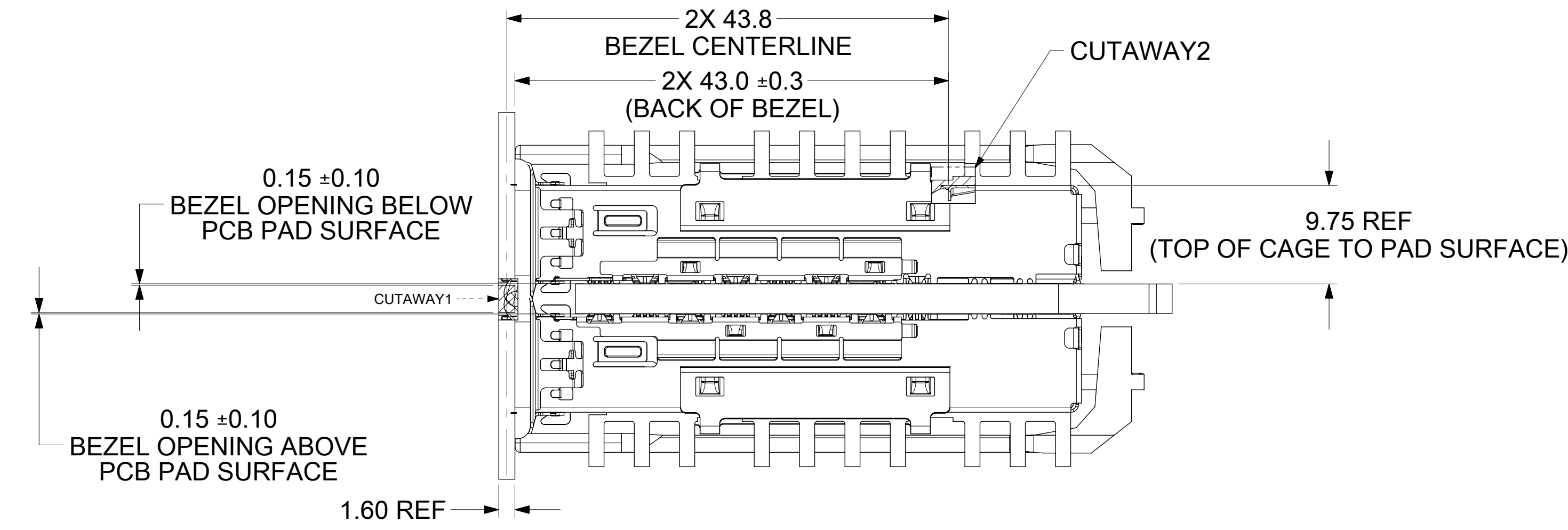
PCB LAYOUT FOR BELLY TO BELLY MOUNTING



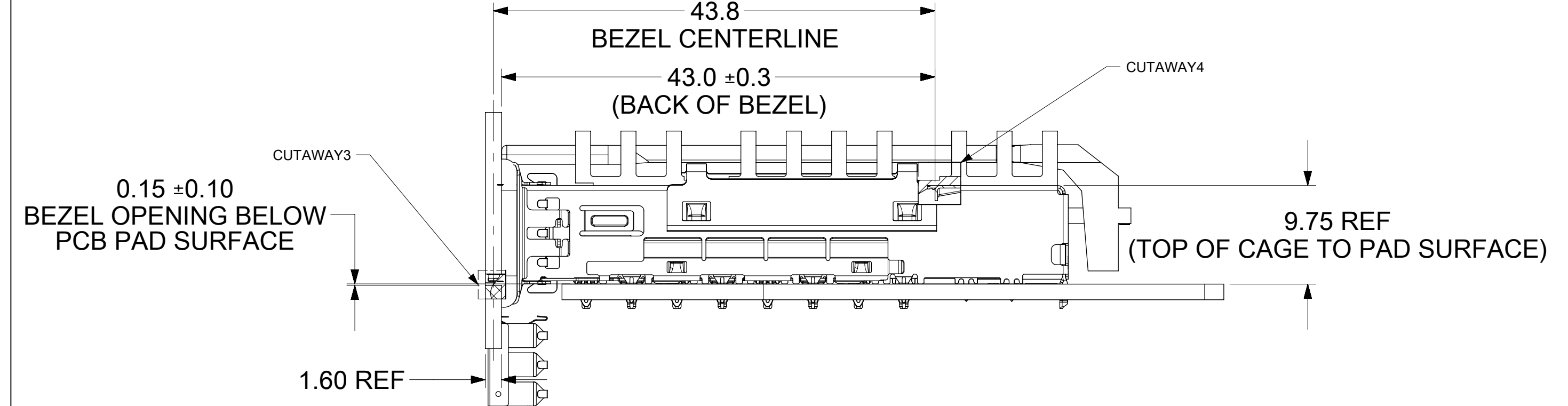
- NOTES:
1. PADS AND VIAS GO TO CHASSIS GROUND. (RECOMMENDED PADS TO BE 2.00mm SQUARE.)
 2. RECOMMENDED THRU HOLE PLATING INCLUDES HASL, OSP, OR IMMERSION (GOLD, SILVER, OR TIN).
 3. CONNECTOR PAD LAYOUT PER SFF-8663 WILL ACCOMODATE MOLEX CONNECTOR SERRIES 170432.
 4. SPACING BETWEEN PORTS IS 19.00mm.

FUNCTIONAL SYMBOLS	THIS DRAWING CONTAINS INFORMATION THAT IS PROPRIETARY TO MOLEX ELECTRONIC TECHNOLOGIES, LLC AND SHOULD NOT BE USED WITHOUT WRITTEN PERMISSION		CURRENT REV DESC: SEE REVISION TABLE	
	FA = 0	mm	SCALE	4:1
DIVISIONAL SYMBOLS	GENERAL TOLERANCES (UNLESS SPECIFIED)		EC NO: 712623	
	FC = 0	ANGULAR TOL ± 1.0°	DRWN: CHETHH2	2022/05/30
DIVISIONAL SYMBOLS	FP = 0	4 PLACES ±	CHK'D: TKUMARKC	2022/06/25
		3 PLACES ±	APPR: SCHIEN	2022/07/07
		2 PLACES ± 0.13	INITIAL REVISION:	
		1 PLACE ± 0.25	DRWN: CHETHH2	2022/05/30
	0 PLACES ±	APPR: SCHIEN	2022/07/07	
DRAFT WHERE APPLICABLE MUST REMAIN WITHIN DIMENSIONS		THIRD ANGLE PROJECTION	DRAWING	SERIES
		⊕	D-SIZE	100086
			MATERIAL NUMBER	CUSTOMER
			1000863747	
			DOCUMENT NUMBER	DOC TYPE DOC PART REVISION
			1000863747	PSD ASY A
			PRODUCT CUSTOMER DRAWING	
			1X16 ZQSFP+ GANGED CAGE, GASKET TYPE W/ SUS INNER SPRING FINGER, SAN HEATSINK AND QUAD LIGHT PIPE	
			SHEET NUMBER	
			3 OF 5	

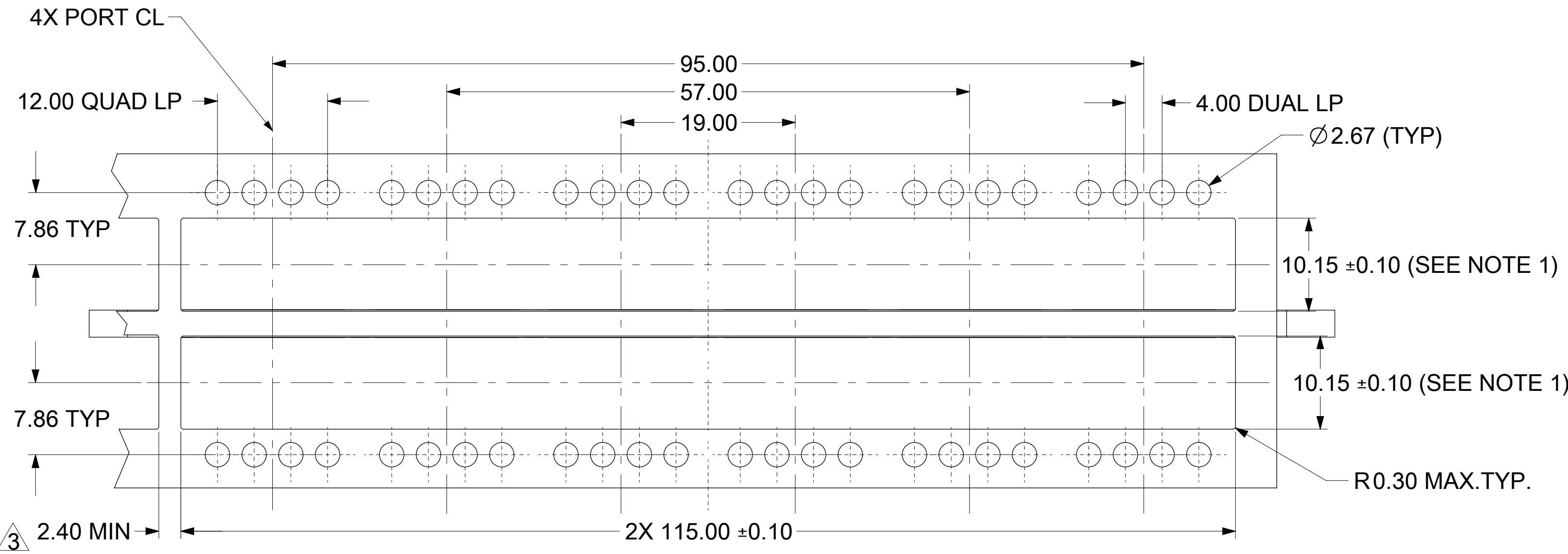
**BEZEL AND BOARD POSITION DIMENSIONS
FOR BELLY TO BELLY MOUNTING**



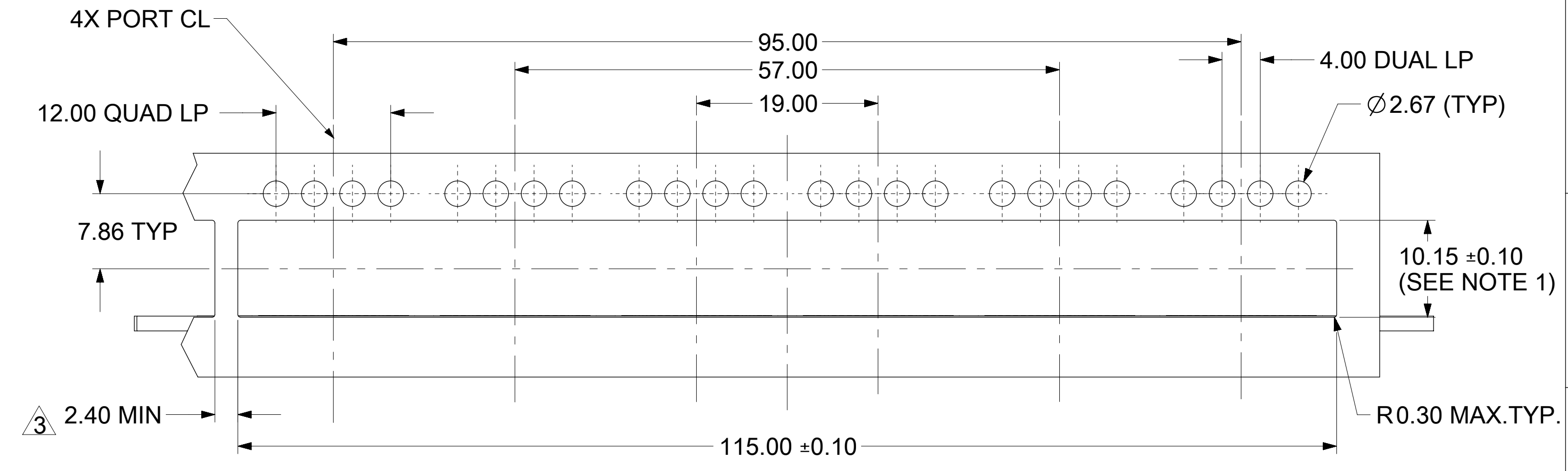
**BEZEL AND BOARD POSITION DIMENSIONS
FOR SINGLE SIDE MOUNTING**



DUAL/QUAD LIGHT PIPE ²



QUAD LIGHT PIPE ²



NOTE:
 1. PCB THICKNESS VARIATION MUST BE CONSIDERED WHEN DETERMINING BEZEL OPENING, SIZE, AND LOCATION.
² NOTED DIMENSIONS ONLY APPLY TO CAGE ASSEMBLIES WITH LIGHT PIPES.
³ THIS DIM IS FOR REF ONLY USER CAN MODIFY IT DEPENDS ON APPLICATION, HOLE OF THE ADJECENT CAGE ON PCB LAYOUT VAREIES BASED ON MODIFICATION

FUNCTIONAL SYMBOLS FA = 0 FC = 0 FP = 0	THIS DRAWING CONTAINS INFORMATION THAT IS PROPRIETARY TO MOLEX ELECTRONIC TECHNOLOGIES, LLC AND SHOULD NOT BE USED WITHOUT WRITTEN PERMISSION		CURRENT REV DESC: SEE REVISION TABLE		
	DIMENSION UNITS mm	SCALE 2.5:1			
DIVISIONAL SYMBOLS	GENERAL TOLERANCES (UNLESS SPECIFIED)		EC NO: 712623		PRODUCT CUSTOMER DRAWING
	ANGULAR TOL ± 1.0°		DRWN: CHETHH2 2022/05/30		
	4 PLACES ±		CHK'D: TKUMARKC 2022/06/25		DOCUMENT NUMBER 1000863747
	3 PLACES ±		APPR: SCHIEN 2022/07/07		
	2 PLACES ± 0.13		INITIAL REVISION:		DOC TYPE PSD ASY A
	1 PLACE ± 0.25		DRWN: CHETHH2 2022/05/30		
	0 PLACES ±		APPR: SCHIEN 2022/07/07		SHEET NUMBER 4 OF 5
	DRAFT WHERE APPLICABLE MUST REMAIN WITHIN DIMENSIONS		THIRD ANGLE PROJECTION	DRAWING D-SIZE	
					MATERIAL NUMBER 1000863747
					CUSTOMER

