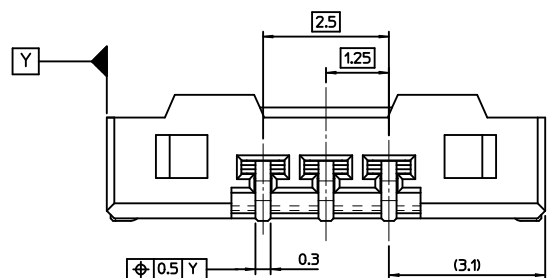
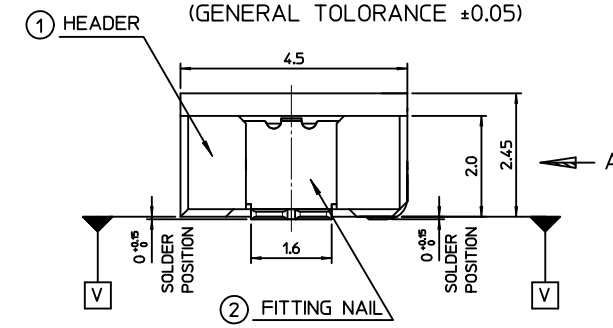
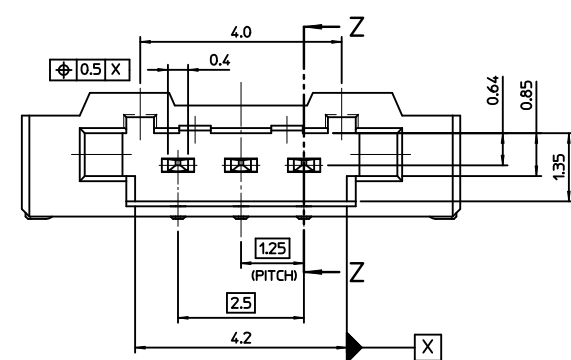
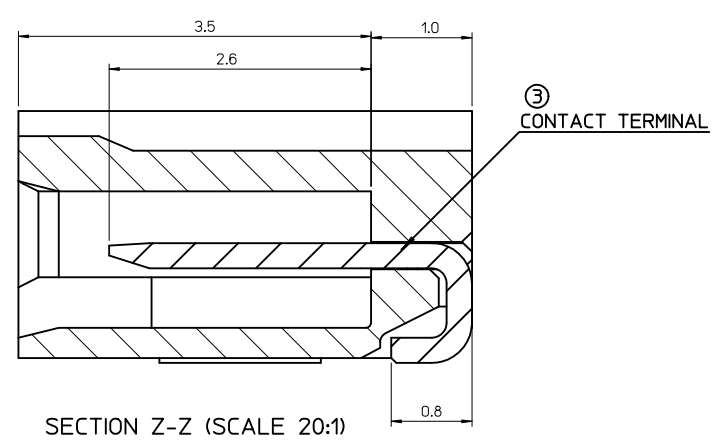


RECOMMEND PATTERN (REF.)
(GENERAL TOLERANCE ±0.05)

MATED CONDITION (REF.)

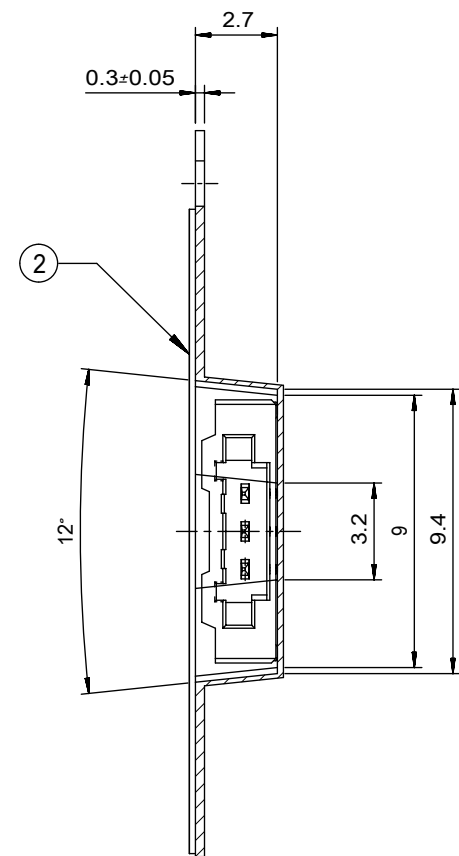
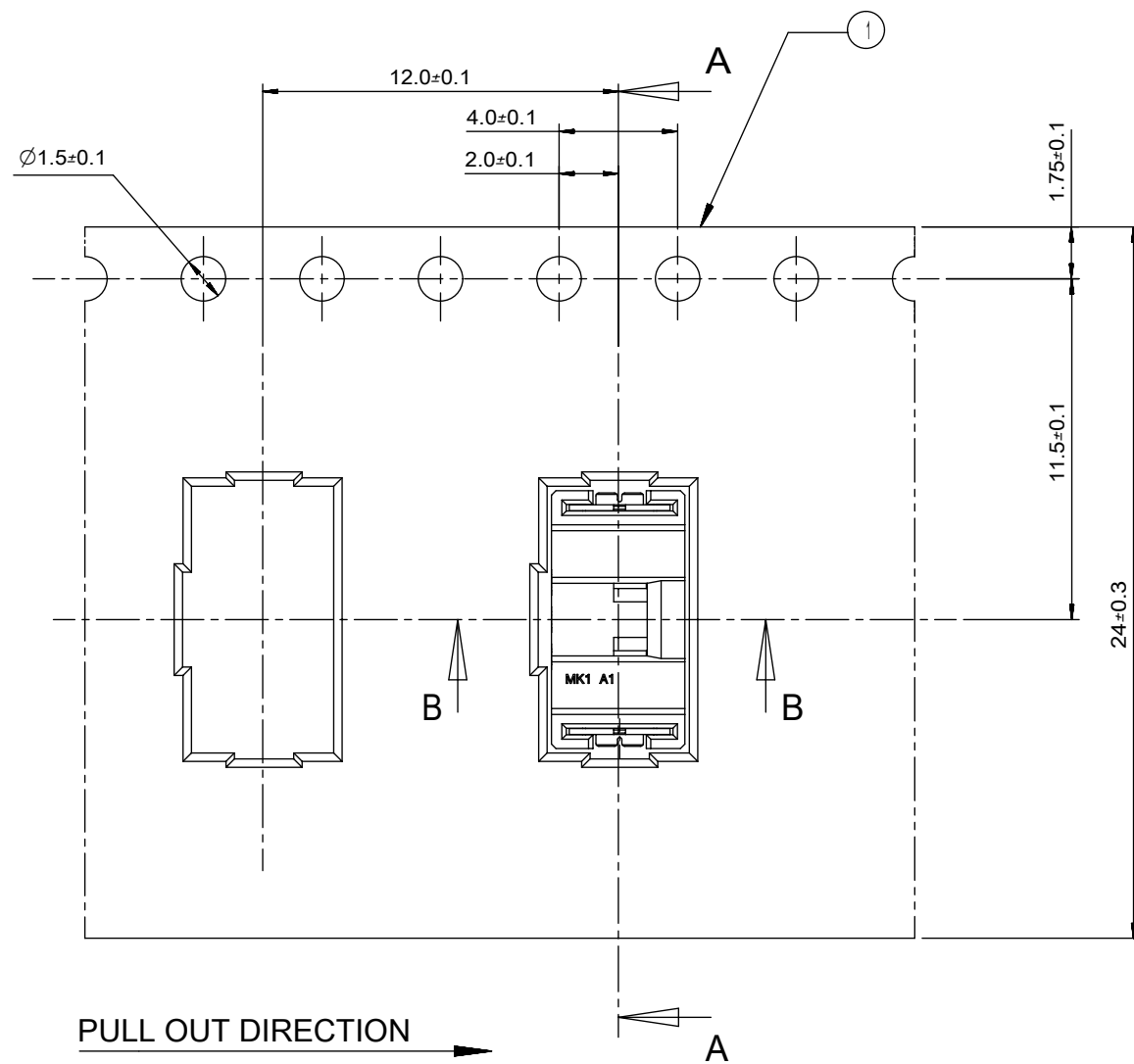


VIEW A

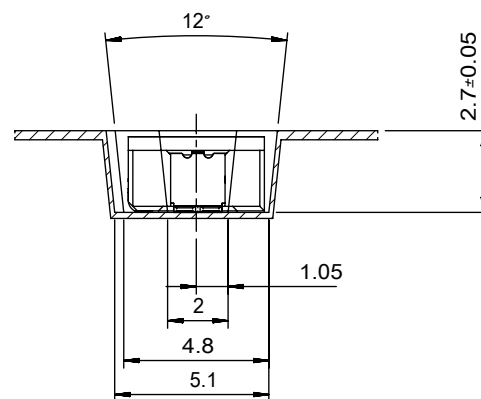


- NOTE
- MATED WITH : 104085-0300
 - MATERIALS
 - ① - HEADER : LCP(E130I), GLASS FILLED, UL94V-0, HALOGEN FREE, COLOR OF NATURAL
 - ② - FITTING NAIL : PHOSPHOR BRONZE, 0.2mm THICKNESS
 - ③ - CONTACT TERMINAL : POSPHOR BRONZE, 0.25mm THICKNESS
 - FINISHES
 - ② - FITTING NAIL : PURE-TIN PLATING ON OVERALL.
THICKNESS 3.0µm-5.0µm
UNDER PLATING Ni OVERALL.
THICKNESS 1.25µm-3.75µm
 - ③ - CONTACT TERMINAL : PURE-TIN PLATING ON OVERALL.
THICKNESS 3.0µm-5.0µm
UNDER PLATING Ni OVERALL.
THICKNESS 1.25µm-3.75µm
 - COPLANALITY OF SOLDER TAILS (PEAK TEMP. : 260°C), BEFORE & AFTER REFLOW : 0.08MAX

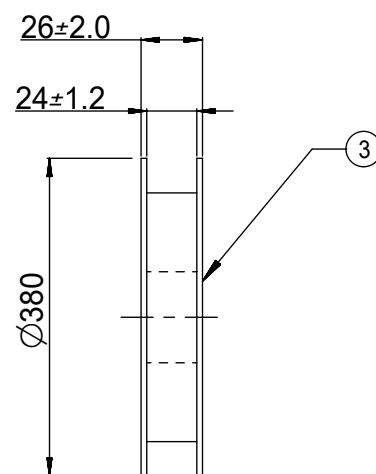
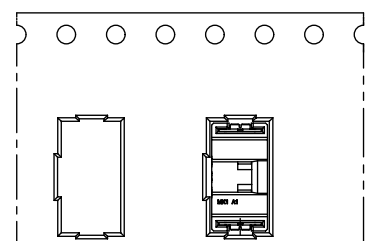
NEW RELEASED EC NO: KOR2011-0131 DRWN:CBCHN 2011/05/23 CHKD:SH-CHU APPR:YUNSIKKIM 2011/05/23	QUALITY SYMBOLS ▽=0 ◁=0	GENERAL TOLERANCES (UNLESS SPECIFIED)		DIMENSION STYLE MM ONLY		SCALE 10:1	ORDER NUMBER 1040860310
		4 PLACES ± --- ± ---	3 PLACES ± --- ± ---	DRAWN BY JB. JIN	DATE 2010/11/23	TITLE 1.25 W-T-B CONN. HEADER ASS'Y-3P(R/A) EMBOSSED PACKAGE	
		2 PLACES ± 0.20 ± ---	1 PLACE ± 0.25 ± ---	CHECKED BY SH. CHU	DATE 2010/11/23	MOLEX INCORPORATED	
		ANGULAR ± 1 °		APPROVED BY YUNSIKKIM	DATE 2011/05/23	MATERIAL NO. 1040860310	DOCUMENT NO. SD-104086-003
DRAFT WHERE APPLICABLE MUST REMAIN WITHIN DIMENSIONS		SIZE A3		THIS DRAWING CONTAINS INFORMATION THAT IS PROPRIETARY TO MOLEX INCORPORATED AND SHOULD NOT BE USED WITHOUT WRITTEN PERMISSION			



SECTION A-A



SECTION B-B

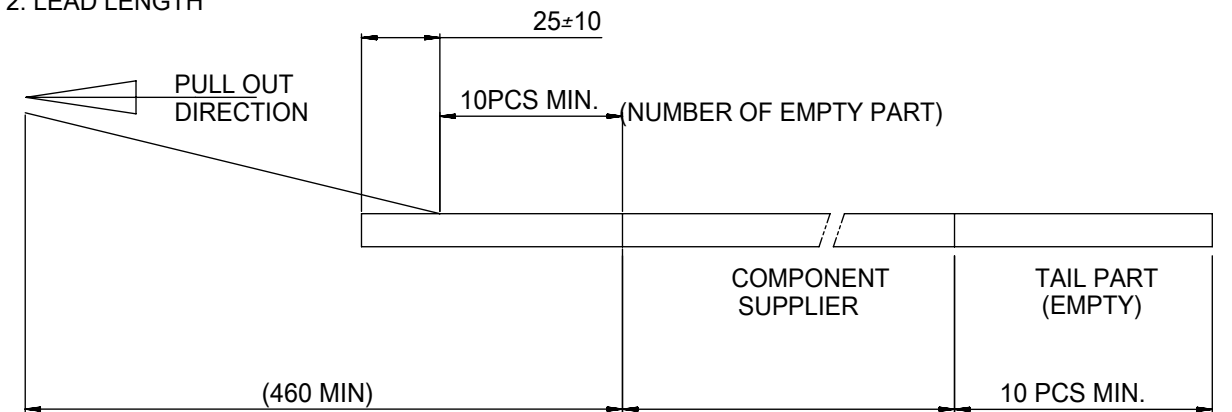


PLASTIC BOBBIN

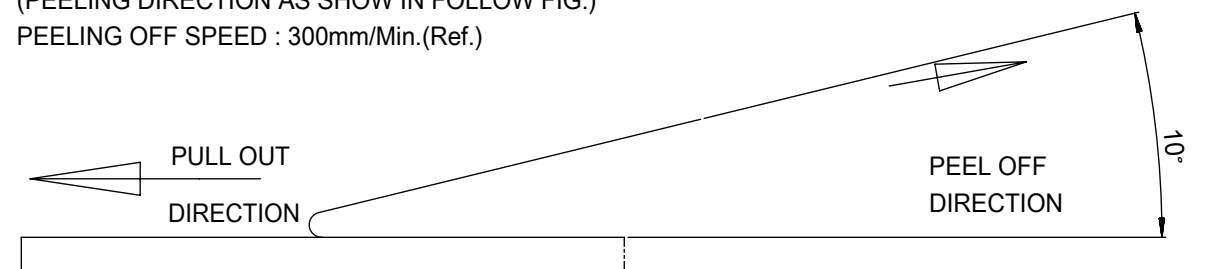
NOTES

1. QUANTITY OF CONNECTORS : 2,000 PCS/REEL

2. LEAD LENGTH



3. PEELING OFF FORCE OF COVER TAPE : 0.1N~0.59N(10.2GF~60GF)
(PEELING DIRECTION AS SHOW IN FOLLOW FIG.)
PEELING OFF SPEED : 300mm/Min.(Ref.)



4. FLASH IN ANY PORTION SHOULD BE LESS THAN 0.20mm MAX.
5. UNLESS OTHERWISE SPECIFIED INNER R0.2 MAX
6. DRAFT ANGLE 3°MAX

NO.	DESCRIPTION	MATERIAL	REMARK
3	PLASTIC BOBBIN	HI P.S	WHITE
2	COVER TAPE	PET ANTISTATIC	21.3m
1	CARRIER (EMBOSSD) TAPE	PET ANTISTATIC	

SYMBOLS	THIS DRAWING CONTAINS INFORMATION THAT IS PROPRIETARY TO MOLEX ELECTRONIC TECHNOLOGIES, LLC AND SHOULD NOT BE USED WITHOUT WRITTEN PERMISSION		CURRENT REV DESC:					
▽ = 0	mm	SCALE 4:1	<p>molex</p> <p>1.25 W-T-B CONN. HEADER ASSY-3P(R/A) EMBOSSD PACKAGE</p> <p>PRODUCT CUSTOMER DRAWING</p> <p>DOCUMENT NUMBER: SD-104086-004 DOC TYPE: PSD DOC PART: 001 REVISION: B1</p> <p>MATERIAL NUMBER: 1040860310 CUSTOMER: GENERAL MARKET SHEET NUMBER: 1 OF 1</p>					
▽ = 0	GENERAL TOLERANCES (UNLESS SPECIFIED)							
▽ = 0	ANGULAR TOL ± 1.0°							
▽ = 0	4 PLACES	±						
▽ = 0	3 PLACES	±						
▽ = 0	2 PLACES	± 0.25	INITIAL REVISION:					
▽ = 0	1 PLACE	± 0.25	DRWN: CBCHIN 2011/05/23					
▽ = 0	0 PLACES	±	APPR: YUNSIKKIM 2011/05/23					
■ = 0	DRAFT WHERE APPLICABLE MUST REMAIN WITHIN DIMENSIONS		THIRD ANGLE PROJECTION	DRAWING	SERIES	MATERIAL NUMBER	CUSTOMER	SHEET NUMBER
▽ = 0			⊕	A3-SIZE	104086	1040860310	GENERAL MARKET	1 OF 1