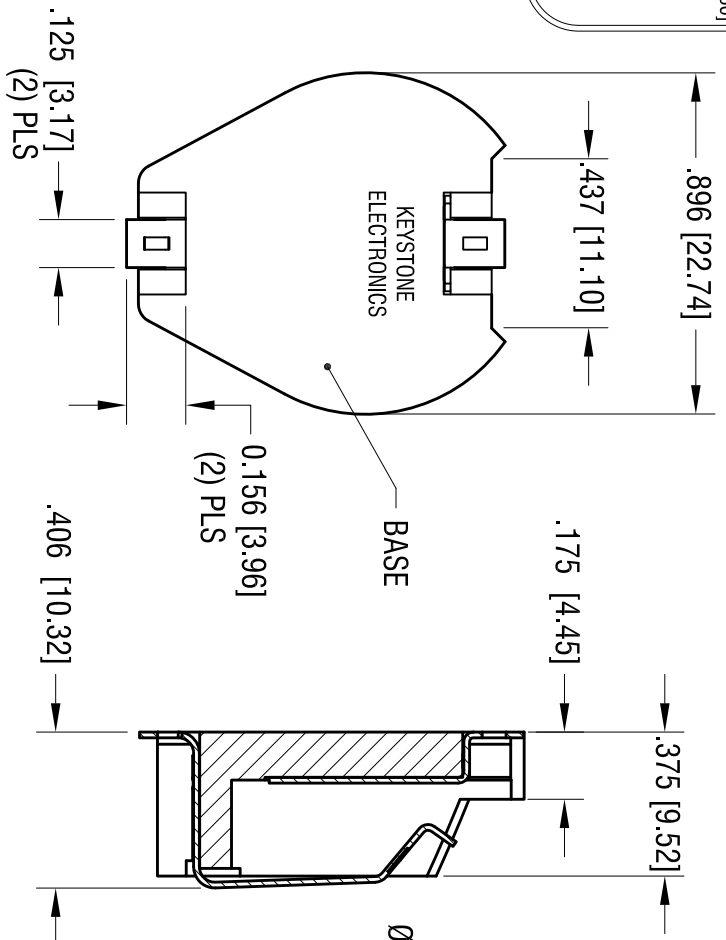
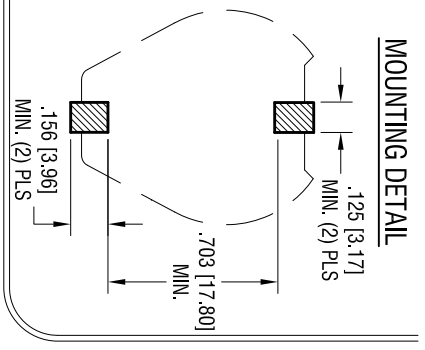
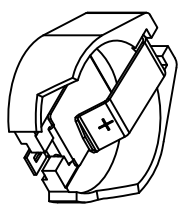
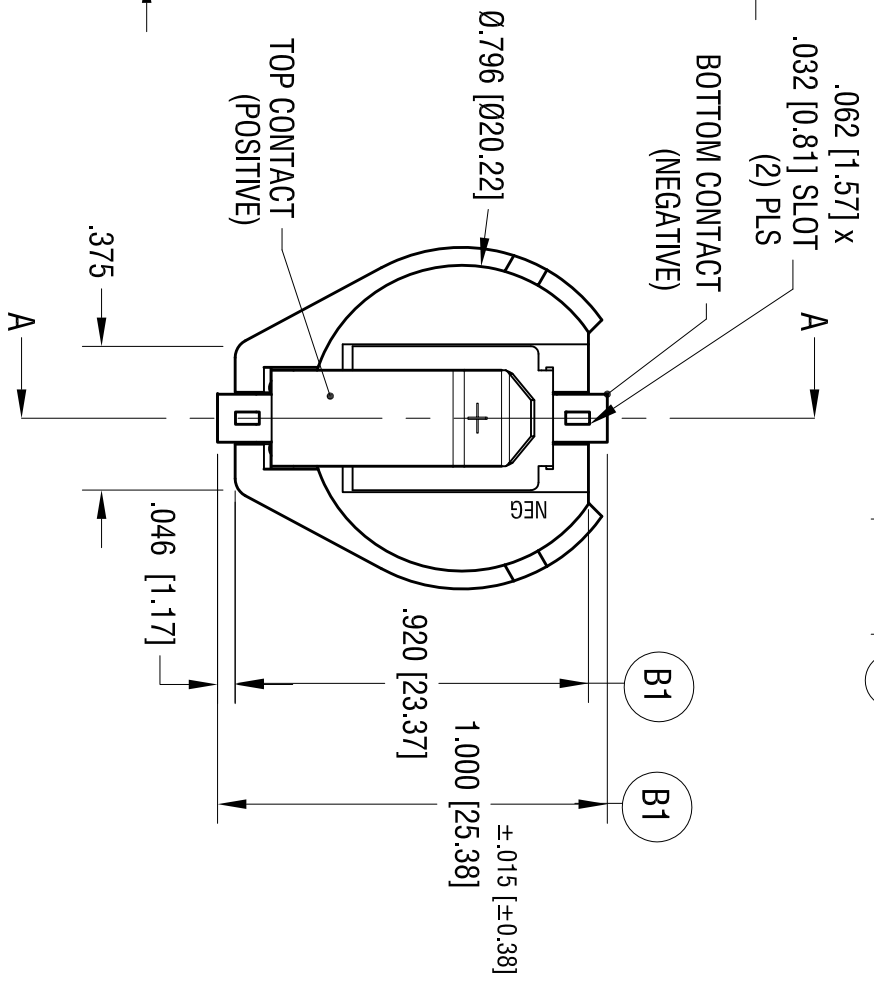


DATE	DESCRIPTION	REV.
8.12.11	CHANGE AS PER ECN 11-104	A
1.10.22	ECN 22-003 (B1) WAS .931 (B2) WAS 1.015	B

**MOUNTING DETAIL**



**SECTION A-A**



**ACTUAL SIZE**

- NOTES:**
1. BASE:  
MATE'L - HIGH TEMPERATURE NYLON (UL 94V-0)  
COLOR BLACK
  2. CONTACTS (TOP AND BOTTOM):  
MATE'L - .015 [0.38] THK SPRING STEEL  
FINISH: GOLD FLASH PLATE

<b>KEYSTONE ELECTRONICS CORP.</b>			
www.keyeico.com • NEW HYDE PARK, NY 11040 • Tel (516) 328-7500			
PART NAME <b>DUAL 20mm BATTERY HOLDER, SMT</b>			
MATERIAL <b>AS NOTED</b>			
FINISH	AS NOTED		DRN BY NT
TOLERANCES	INCH	[MM]	DATE 3.19.09
DECIMAL	± .010	[± 0.25]	App'D RH
ANGULAR	± 1°		SCALE 2X
	CODE C	DWG NO. <b>1082</b>	

THIS DOCUMENT IS THE PROPERTY OF KEYSTONE ELECTRONICS CORP. AND SHALL NOT BE REPRODUCED, DISTRIBUTED OR USED AS A BASIS FOR MANUFACTURE WITHOUT PRIOR WRITTEN PERMISSION FROM KEYSTONE ELECTRONICS CORP.