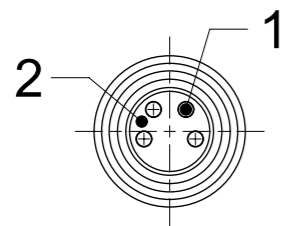


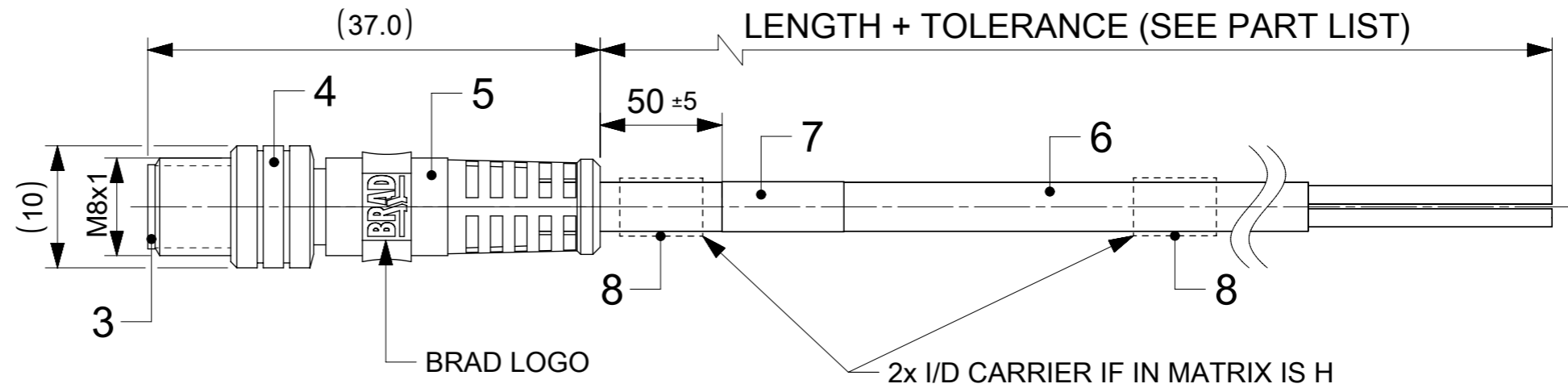
# MALE PLUG M8 STRAIGHT SINGLE ENDED

CONTACT POSITION FRONT VIEW:

| 3 POLES MALE |       | 4 POLES MALE |       | 5 POLES MALE |       |
|--------------|-------|--------------|-------|--------------|-------|
|              |       |              |       |              |       |
| PIN          | WIRE  | PIN          | WIRE  | PIN          | WIRE  |
| 1            | BROWN | 1            | BROWN | 1            | BROWN |
| 2            | -     | 2            | WHITE | 2            | WHITE |
| 3            | BLUE  | 3            | BLUE  | 3            | BLUE  |
| 4            | BLACK | 4            | BLACK | 4            | BLACK |
| 5            | -     | 5            | -     | 5            | GREY  |



VIEW FROM THE FRONT SIDE



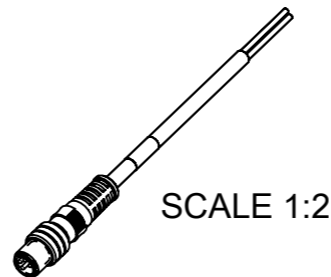
## TECHNICAL SPECIFICATION:

CONTACT CURRENT RATING: 3-5 POLES 3 A  
 VOLTAGE RATING: 3 POLES 60 V  
 4-5 POLES 30 V  
 PROTECTION CLASS: IP 67  
 TEMPERATURE RANGE: -25° C / +80° C

## BILL OF MATERIAL

| ITEM | QTY.      | DESCRIPTION             | MATERIAL    | FINISH / COLOR       |
|------|-----------|-------------------------|-------------|----------------------|
| 8    | 0 / 2     | ID CARRIER (SEE MATRIX) | PVC         | TRANSPARENT          |
| 7    | 1         | LABEL OR PRINTING       | VINYL / --- | ---                  |
| 6    | -         | CABLE                   | SEE MATRIX  | ---                  |
| 5    | -         | OVERMOULDING            | TPU         | BLACK                |
| 4    | 1         | COUPLING NUT M8 MALE    | BRASS       | NICKEL               |
| 3    | 1         | SLEEVE                  | BRASS       | NICKEL               |
| 2    | 1         | INSERT MALE             | TPU         | BLACK                |
| 1    | 3 / 4 / 5 | CONTACT M8 MALE         | BRASS       | SELECTIVE Au OVER Ni |
| ITEM | QTY.      | DESCRIPTION             | MATERIAL    | FINISH / COLOR       |

|                 |    |              |            |          |
|-----------------|----|--------------|------------|----------|
| DOCUMENT STATUS | P1 | RELEASE DATE | 2021/11/25 | 12:27:14 |
|-----------------|----|--------------|------------|----------|



|                    |  |   |  |              |  |
|--------------------|--|---|--|--------------|--|
| FUNCTIONAL SYMBOLS | THIS DRAWING CONTAINS INFORMATION THAT IS PROPRIETARY TO MOLEX ELECTRONIC TECHNOLOGIES, LLC AND SHOULD NOT BE USED WITHOUT WRITTEN PERMISSION  | CURRENT REV DESC: FIRST RELEASE   |  | <b>molex</b> |  |
|                    | DIMENSION UNITS: <b>mm</b><br>SCALE: <b>2:1</b><br>GENERAL TOLERANCES (UNLESS SPECIFIED)<br>ANGULAR TOL ± 1.0°<br>4 PLACES ±<br>3 PLACES ±<br>2 PLACES ± 0.05<br>1 PLACE ± 0.3<br>0 PLACES ± 0.5 | EC NO: 686590<br>DRWN: RSCHIEBER<br>CHK'D: RSILLER<br>APPR: RSILLER<br>2021/11/23<br>2021/11/25 |  |              |  |
| DIVISIONAL SYMBOLS | DRAFT WHERE APPLICABLE MUST REMAIN WITHIN DIMENSIONS<br>THIRD ANGLE PROJECTION<br>   |   | DRAWING: <b>A3-SIZE</b><br>SERIES: <b>120086</b><br>MATERIAL NUMBER: <b>SEE PART LIST</b><br>CUSTOMER: <b>GENERAL MARKET</b> |              | PRODUCT CUSTOMER DRAWING<br>DOCUMENT NUMBER: <b>1200860183</b><br>DOC TYPE: <b>PSD</b><br>DOC PART: <b>000</b><br>REVISION: <b>A</b> |
|                    | SHEET NUMBER: <b>1 OF 3</b>  |   | DATE: 2020/11/11   |              |  |

ENGINEERING NO. - NUMERICAL CODE (Available parts see PART LIST table. Others on request)



40 = M8x1 SINGLE ENDED  
 POLES:  
 3 = 3 POLE  
 4 = 4 POLE  
 5 = 5 POLE  
 HEADER  
 006 = MALE STRAIGHT  
 CABLE TYPE  
 SEE CABLE SPECIFICATION  
 UNIT  
 M = METER  
 LENGTH EXAMPLE  
 010 = 1 m  
 050 = 5 m  
 100 = 10 m  
 OPTIONS  
 \* \*

Overmold color:  
 Blank (Standard)=Black  
 A = Grey / G=Black / Y=Yellow  
 For cables K03, K05, A09, S19, S20 & S26 = Yellow  
 Coupling Nut:  
 Blank (Standard)=Knurled Brass Ni Plated  
 1 = Stainless steel  
 2 = Nylon  
 3 = Nickel Plated Brass  
 4 = Valox (polyester)  
 5 = Delrin  
 6 = clear anodized alum  
 7 = Teflon coat  
 Blank = 7 for cables: I20, I26, K03, K05, P82, S20 i S26  
 8 = Type 316 stainless steel  
 9 = Knurled / Hexagonal SW9 Brass Ni Plated  
 H= 2 pcs. of I/D Carrier PVC Transparent  
 (Cables lxx & P82 always with 2 pcs. of I/D Carrier even if no H in Engineering No.)

CABLE SPECIFICATION

| CABLE TYPE | NO. OF WIRES | CROSS SECTION       | CABLE JACKET    | UL             | CSA                      | TEMP. RATING | STATIC: TEMP. / BENDING RADIUS | DYNAMIC: TEMP. / BENDING RADIUS | DRAG CHAIN                      | SHIELD |
|------------|--------------|---------------------|-----------------|----------------|--------------------------|--------------|--------------------------------|---------------------------------|---------------------------------|--------|
| A10        | 4            | 0.25mm <sup>2</sup> | PVC YELLOW      | UL 2661/1731   | I/II A/B 105°C/300V      | 105°C        | -                              | -                               | -                               | NO     |
| E02        | 3 / 4 / 5    | 0.25mm <sup>2</sup> | PVC BLACK       | UL 2464/1729   | C22.2 I/II A/B 80°C/300V | -            | -30°C to +80°C, 10xO.D.        | -10°C to +80°C, 15xO.D.         | -                               | NO     |
| H08        | 3 / 4 / 5    | 0.25mm <sup>2</sup> | PUR BLACK LS0H  | UL 21198/10493 | C22.2 I/II A/B 80°C/300V | -            | -40°C to +80°C, 5xO.D.         | -25°C to +80°C, 10xO.D.         | 2 000 000 cycles, Temp max 60°C | NO     |
| I12        | 3            | 0.50mm <sup>2</sup> | PVC GREY        | -              | -                        | -            | -25°C to +70°C, 10xO.D.        | -5°C to +70°C, 15xO.D.          | -                               | NO     |
| I02        | 3 / 4        | 0.25mm <sup>2</sup> | PVC (CEI) GREY  | -              | -                        | -            | -30°C to +70°C                 | -5°C to +70°C                   | -                               | NO     |
| K05        | 3            | 0.34mm <sup>2</sup> | TPE YELLOW      | UL ITC OR PLTC | I/II A/B 90°C/300V       | 105°C        | -                              | -                               | -                               | NO     |
| P02        | 3 / 4 / 5    | 0.25mm <sup>2</sup> | PUR / PVC BLACK | -              | -                        | -            | -30°C to +80°C, 7xO.D.         | -5°C to +80°C, 15xO.D.          | -                               | NO     |
| I70        | 3            | 0.50mm <sup>2</sup> | PVC GREY        | -              | -                        | -            | -25°C to +70°C, 10xO.D.        | -5°C to +70°C, 15xO.D.          | -                               | NO     |


|                    |   |        |                                 |  |                           |
|--------------------|---|--------|---------------------------------|--|---------------------------|
| FUNCTIONAL SYMBOLS | THIS DRAWING CONTAINS INFORMATION THAT IS PROPRIETARY TO MOLEX ELECTRONIC TECHNOLOGIES, LLC AND SHOULD NOT BE USED WITHOUT WRITTEN PERMISSION |        | CURRENT REV DESC: FIRST RELEASE |  | <b>molex</b>              |
| FUNCTIONAL SYMBOLS | DIMENSION UNITS   | SCALE  | EC NO: 686590                   |  |                           |
| FUNCTIONAL SYMBOLS | mm  | 1:1    | DRWN: RSCHIEBER 2021/11/23      |  | CSE M8 XP AC MA STR XM SE |
| FUNCTIONAL SYMBOLS | GENERAL TOLERANCES (UNLESS SPECIFIED)   |        | CHK'D: RSILLER 2021/11/25       |  |                           |
| FUNCTIONAL SYMBOLS | ANGULAR TOL ± 1.0 °   |        | APPR: RSILLER 2021/11/25        |  | PRODUCT CUSTOMER DRAWING  |
| DIVISIONAL SYMBOLS | 4 PLACES  | ±      | INITIAL REVISION:               |  |                           |
| DIVISIONAL SYMBOLS | 3 PLACES  | ±      | DRWN: RSCHIEBER 2021/11/23      |  | DOCUMENT NUMBER           |
| DIVISIONAL SYMBOLS | 2 PLACES  | ± 0.05 | APPR: RSILLER 2021/11/25        |  | 1200860183                |
| DIVISIONAL SYMBOLS | 1 PLACE   | ± 0.3  | MATERIAL NUMBER                 |  | DOC TYPE                  |
| DIVISIONAL SYMBOLS | 0 PLACES  | ± 0.5  | DRAWING                         |  | DOC PART                  |
| DIVISIONAL SYMBOLS | DRAFT WHERE APPLICABLE MUST REMAIN WITHIN DIMENSIONS  |        | SERIES                          |  | REVISION                  |
| DIVISIONAL SYMBOLS | THIRD ANGLE PROJECTION  |        | 120086                          |  | A                         |
| DIVISIONAL SYMBOLS | DRAWING   |        | CUSTOMER                        |  | SHEET NUMBER              |
| DIVISIONAL SYMBOLS | A3-SIZE   |        | GENERAL MARKET                  |  | 2 OF 3                    |

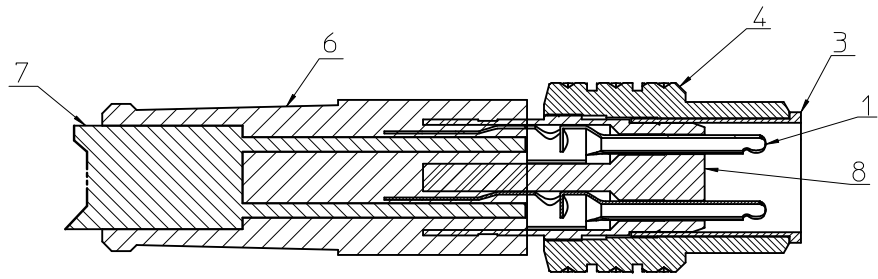
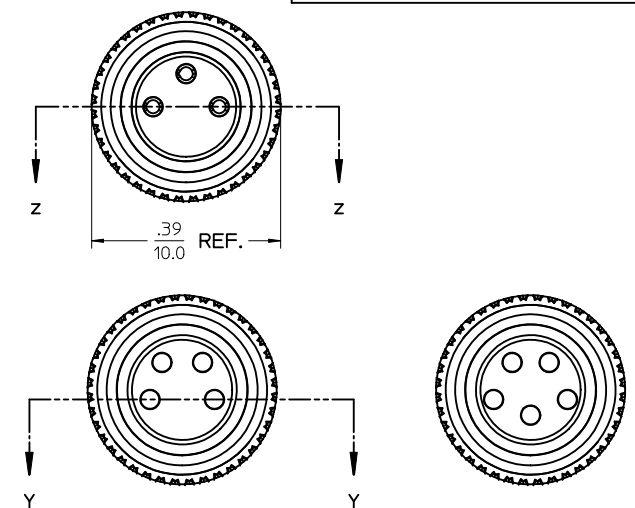
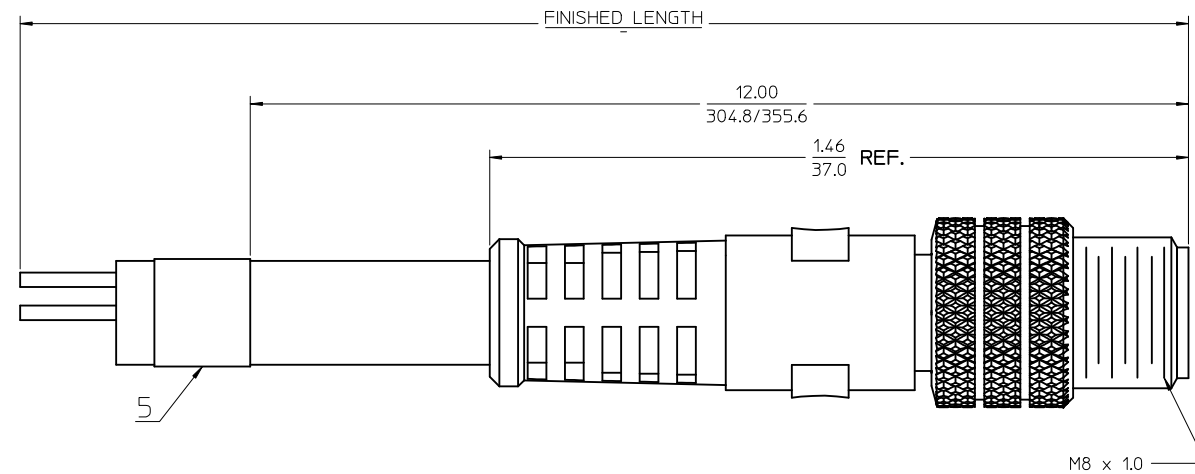
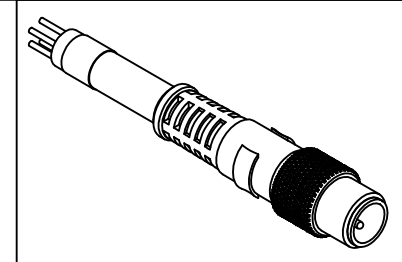
PART LIST

| ITEM | MOLEX PN   | ENGINEERING NO | L+TOL.[mm] |
|------|------------|----------------|------------|
| 1    | 1200270105 | 403006E02M050  | 5000+60    |
| 2    | 1200270364 | 403006E02M010  | 1000+40    |
| 3    | 1200270376 | 404006E02M050  | 5000+60    |
| 4    | 1200270453 | 403006P02M040  | 4000+60    |
| 5    | 1200270459 | 403006E02M003  | 300+40     |
| 6    | 1200270547 | 403006I12M010  | 1000+40    |
| 7    | 1200270588 | 405006P02M005  | 500+40     |
| 8    | 1200270657 | 405006P02M050  | 5000+60    |
| 9    | 1200270659 | 403006I12M006  | 600+40     |
| 10   | 1200270752 | 405006P02M020  | 2000+60    |
| 11   | 1200270877 | 405006P02C550  | 550+40     |
| 12   | 1200270911 | 403006P02M020  | 2000+60    |
| 13   | 1200270933 | 403006P02M100  | 10000+80   |
| 14   | 1200271079 | 403006P02M010  | 1000+40    |
| 15   | 1200271179 | 403006P02M004  | 400+40     |
| 16   | 1200271200 | 403006P02M006  | 600+40     |
| 17   | 1200271327 | 403006P02M005  | 500+40     |
| 18   | 1200271332 | 403006P02M003  | 300+40     |
| 19   | 1200271420 | 403006E02M035  | 3500+60    |
| 20   | 1200271421 | 403006E02M040  | 4000+60    |
| 21   | 1200271422 | 403006E02M060  | 6000+80    |
| 22   | 1200860183 | 404006A10M020  | 2000+60    |
| 23   | 1200860474 | 403006P02M050  | 5000+60    |
| 24   | 1200860586 | 405006P02M040  | 4000+60    |
| 25   | 1200860588 | 405006P02M100  | 10000+80   |
| 26   | 1200868031 | 405006P02M030  | 3000+60    |
| 27   | 1200868047 | 403006I12C550  | 550+40     |
| 28   | 1200868056 | 403006E02M006  | 600+40     |
| 29   | 1200868078 | 403006H08M050  | 5000+60    |
| 30   | 1200868087 | 405006P02M010  | 1000+40    |
| 31   | 1200868152 | 405006E02M010  | 1000+40    |
| 32   | 1200868161 | 404006E02M010  | 1000+40    |
| 33   | 1200868164 | 405006E02M300  | 30000+160  |
| 34   | 1200868165 | 405006E02M500  | 50000+500  |
| 35   | 1200868166 | 405006E02M600  | 60000+600  |
| 36   | 1200868173 | 405006E02M020  | 2000+40    |
| 37   | 1200868855 | 405006H08M100  | 10000+80   |
| 38   | 1200868900 | 404006H08M005  | 500+40     |
| 39   | 1200868854 | 405006H08M050  | 5000+60    |
| 40   | 1200868695 | 403006E02M020H | 2000+60    |

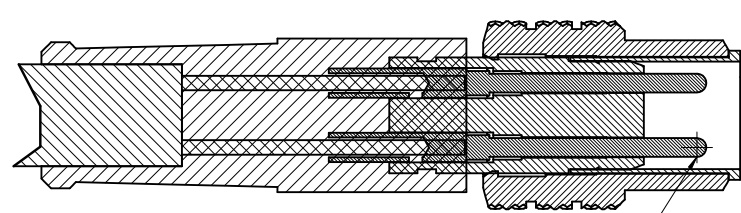
| ITEM | MOLEX PN   | ENGINEERING NO | L+TOL.[mm] |
|------|------------|----------------|------------|
| 41   | 1200868174 | 405006E02M050  | 5000+60    |
| 42   | 1200868175 | 405006E02M100  | 10000+80   |
| 43   | 1200868182 | 405006P02M012  | 1200+60    |
| 44   | 1200868227 | 404006H08M050  | 5000+60    |
| 45   | 1200868228 | 403006E02M020  | 2000+60    |
| 46   | 1200868302 | 403006E02M002  | 200+40     |
| 47   | 1200868303 | 403006E02M015  | 1500+60    |
| 48   | 1200868304 | 403006E02M025  | 25000+60   |
| 49   | 1200868305 | 403006E02M030  | 3000+60    |
| 50   | 1200868306 | 403006E02M045  | 45000+60   |
| 51   | 1200868307 | 403006E02M100  | 10000+80   |
| 52   | 1200868308 | 403006I02C350  | 350+40     |
| 53   | 1200868309 | 403006I02C450  | 450+40     |
| 54   | 1200868310 | 403006I02M003  | 300+40     |
| 55   | 1200868311 | 403006I02M004  | 400+40     |
| 56   | 1200868312 | 403006I02M006  | 600+40     |
| 57   | 1200868313 | 403006I02M007  | 700+40     |
| 58   | 1200868314 | 403006I02M010  | 1000+40    |
| 59   | 1200868315 | 403006I02M011  | 1100+60    |
| 60   | 1200868316 | 403006I02M014  | 1400+60    |
| 61   | 1200868317 | 403006I02M015  | 1500+60    |
| 62   | 1200868318 | 403006I02M020  | 2000+60    |
| 63   | 1200868319 | 403006I02M030  | 3000+60    |
| 64   | 1200868320 | 403006I02M050  | 5000+60    |
| 65   | 1200868321 | 403006I02M100  | 10000+80   |
| 66   | 1200868322 | 403006I02M150  | 15000+140  |
| 67   | 1200868366 | 404006E02C550  | 550+40     |
| 68   | 1200868367 | 404006E02M015  | 1500+60    |
| 69   | 1200868368 | 404006E02M020  | 2000+60    |
| 70   | 1200868369 | 404006E02M100  | 10000+80   |
| 71   | 1200868370 | 404006I02M003  | 300+40     |
| 72   | 1200868371 | 404006P02M004G | 400+40     |
| 73   | 1200868372 | 404006P02M010  | 1000+40    |
| 74   | 1200868373 | 404006P02M020  | 2000+40    |
| 75   | 1200868374 | 404006P02M030G | 3000+40    |
| 76   | 1200868375 | 404006P02M050  | 5000+60    |
| 77   | 1200868720 | 403006E02M100H | 10000+80   |
| 78   | 1200868755 | 405006P02C180  | 180+40     |
| 79   | 1200868853 | 405006H08M010  | 1000+40    |
| 80   | 1200868684 | 403006E02M045H | 4500+60    |

| ITEM | MOLEX PN   | ENGINEERING NO | L+TOL.[mm] |
|------|------------|----------------|------------|
| 81   | 1200868376 | 404006P02M050G | 5000+60    |
| 82   | 1200868377 | 404006P02M100  | 10000+80   |
| 83   | 1200868387 | 403006E02M150  | 15000+140  |
| 84   | 1200868390 | 403006H08M020  | 2000+60    |
| 85   | 1200868392 | 404006H08M020  | 2000+60    |
| 86   | 1200868397 | 405006H08M020  | 2000+60    |
| 87   | 1200868408 | 404006H08M003  | 300+40     |
| 88   | 1200868409 | 404006H08M010  | 1000+40    |
| 89   | 1200868421 | 403006I12M150  | 15000+140  |
| 90   | 1200868425 | 403006I12M050  | 5000+60    |
| 91   | 1200868426 | 403006I12M100  | 10000+80   |
| 92   | 1200868433 | 403006H08M100  | 10000+80   |
| 93   | 1200868436 | 403006I70M150  | 15000+140  |
| 94   | 1200868437 | 403006I70M050  | 5000+60    |
| 95   | 1200868438 | 403006I70M100  | 10000+80   |
| 96   | 1200868471 | 403006E02M020Y | 2000+60    |
| 97   | 1200868472 | 403006E02M150Y | 15000+140  |
| 98   | 1200868488 | 404006H08M100  | 10000+80   |
| 99   | 1200868496 | 403006H08M010  | 1000+40    |
| 100  | 1200868512 | 405006P02C550Y | 550+40     |
| 101  | 1200868514 | 403006P02M030  | 3000+60    |
| 102  | 1200868515 | 403006P02M075  | 7500+80    |
| 103  | 1200868562 | 404006P02M002  | 200+40     |
| 104  | 1200868573 | 405006E02M030  | 3000+60    |
| 105  | 1200868680 | 405006P02M020Y | 2000+60    |
| 106  | 1200868681 | 403006E02M010H | 1000+40    |
| 107  | 1200868682 | 403006E02M035H | 3500+60    |
| 108  | 1200868683 | 403006E02M040H | 4000+60    |

|                    |   |   |  |   |                                 |  |
|--------------------|---|---|--|---|---------------------------------|--|
| FUNCTIONAL SYMBOLS | THIS DRAWING CONTAINS INFORMATION THAT IS PROPRIETARY TO MOLEX ELECTRONIC TECHNOLOGIES, LLC AND SHOULD NOT BE USED WITHOUT WRITTEN PERMISSION | CURRENT REV DESC: FIRST RELEASE                 |  |  |                                 |  |
|                    | $\nabla_A = 0$<br>$\nabla_B = 0$<br>$\nabla_C = 0$  | DIMENSION UNITS: <b>mm</b><br>SCALE: <b>1:1</b> | GENERAL TOLERANCES (UNLESS SPECIFIED)<br>ANGULAR TOL $\pm 1.0^\circ$ |   |                                 |  |
| DIVISIONAL SYMBOLS | 4 PLACES  | $\pm$   | EC NO: 686590  | DRWN: RSCHIEBER   | 2021/11/23                      | PRODUCT CUSTOMER DRAWING<br>DOCUMENT NUMBER: <b>1200860183</b><br>DOC TYPE: PSD<br>DOC PART: 000<br>REVISION: <b>A</b> |
|                    | 3 PLACES  | $\pm$   | CHK'D: RSILLER   | APPR: RSILLER   | 2021/11/25                      |  |
|                    | 2 PLACES  | $\pm 0.05$                                      | INITIAL REVISION:  | DRWN: RSCHIEBER   | 2021/11/23                      |  |
|                    | 1 PLACE   | $\pm 0.3$                                       | APPR: RSILLER  | APPR: RSILLER   | 2021/11/25                      |  |
|                    | 0 PLACES  | $\pm 0.5$                                       | DRAFT WHERE APPLICABLE MUST REMAIN WITHIN DIMENSIONS                 | THIRD ANGLE PROJECTION  | DRAWING: <b>A3-SIZE</b>         | SERIES: <b>120086</b>  |
|                    |   |   |  | MATERIAL NUMBER: <b>SEE PART LIST</b>   | CUSTOMER: <b>GENERAL MARKET</b> | SHEET NUMBER: <b>3 OF 3</b>  |



SEC Z-Z  
FOR 3 POLE ONLY



SEC Y-Y  
FOR 4-5 POLE ONLY

| MALE INSERT FRONT VIEW       |   |   |
|------------------------------|---|---|
| 3 POLE                       | 4 POLE                                  | 5 POLE  |
|                              |   |   |
| 1 BROWN<br>3 BLUE<br>4 BLACK | 1 BROWN<br>2 WHITE<br>3 BLUE<br>4 BLACK | 1 BROWN<br>2 WHITE<br>3 BLUE<br>4 BLACK<br>5 GREY |

|  |                    |
|--|--------------------|
| ENTER DESCRIPTION<br>EC NO: WEU2012-0001<br>DRWNR: SCHIEBER 2011/06/22<br>CHKDR: ISSNER 2011/07/13<br>APPR: CBURGER 2011/07/20 | DESCRIPTION<br>REV |
|--|--------------------|

| QUALITY SYMBOLS<br>▽=0<br>▽=0 | GENERAL TOLERANCES (UNLESS SPECIFIED)<br><table border="1"> <tr> <th></th> <th>mm</th> <th>INCH</th> </tr> <tr> <td>4 PLACES</td> <td>± .01</td> <td>± .0004</td> </tr> <tr> <td>3 PLACES</td> <td>± .02</td> <td>± .0008</td> </tr> <tr> <td>2 PLACES</td> <td>± .03</td> <td>± .0012</td> </tr> <tr> <td>1 PLACE</td> <td>± 0.3</td> <td>± .0118</td> </tr> </table> ANGULAR ±1/2°<br>DRAFT WHERE APPLICABLE<br>MUST REMAIN WITHIN DIMENSIONS |         | mm | INCH | 4 PLACES | ± .01 | ± .0004 | 3 PLACES | ± .02 | ± .0008 | 2 PLACES | ± .03 | ± .0012 | 1 PLACE | ± 0.3 | ± .0118 |
|-------------------------------|---|---------|----|------|----------|-------|---------|----------|-------|---------|----------|-------|---------|---------|-------|---------|
|                               | mm  | INCH    |    |      |          |       |         |          |       |         |          |       |         |         |       |         |
| 4 PLACES                      | ± .01   | ± .0004 |    |      |          |       |         |          |       |         |          |       |         |         |       |         |
| 3 PLACES                      | ± .02   | ± .0008 |    |      |          |       |         |          |       |         |          |       |         |         |       |         |
| 2 PLACES                      | ± .03   | ± .0012 |    |      |          |       |         |          |       |         |          |       |         |         |       |         |
| 1 PLACE                       | ± 0.3   | ± .0118 |    |      |          |       |         |          |       |         |          |       |         |         |       |         |

|   |  |
|---|--|
| DIMENSION STYLE<br>IN/MM<br>DRAWN BY<br>BWOODMAN<br>CHECKED BY<br>RSTONE<br>APPROVED BY<br>JFMURPHY | DATE<br>18/08/09<br>DATE<br>18/08/09<br>DATE<br>18/08/09 |
|---|--|

|  |   |                           |                               |                     |
|--|---|---------------------------|-------------------------------|---------------------|
| SCALE<br>5:1<br>DESIGN UNITS<br>INCH<br>THIRD ANGLE PROJECTION | TITLE<br>CSE M8 XP MA STR<br>PUR PVC UN | MATERIAL NO.<br>SEE CHART | DOCUMENT NO.<br>SD-120027-002 | SHEET NO.<br>1 OF 2 |
|--|---|---------------------------|-------------------------------|---------------------|

THIS DRAWING CONTAINS INFORMATION THAT IS PROPRIETARY TO MOLEX INCORPORATED AND SHOULD NOT BE USED WITHOUT WRITTEN PERMISSION

|       |                            |              |               | ASSEMBLY |        |        |
|-------|----------------------------|--------------|---------------|----------|--------|--------|
|       |                            |              |               | 3 POLE   | 4 POLE | 5 POLE |
| SL.No | DESCRIPTION                | MATERIAL     | FINISH        | QTY      |        |        |
| 1     | STAMP & FORM CONTACT       | COPPER ALLOY | GOLD PLATED   | 3        |        |        |
| 2     | SCREW MACHINE CONTACT      | COPPER ALLOY | GOLD PLATED   |          | 4      | 5      |
| 3     | SLEEVE                     | BRASS        | NICKEL PLATED |          |        |        |
| 4     | COUPLING NUT               | BRASS        | NICKEL PLATED |          |        |        |
| 5     | LABEL                      | PLASTIC FILM | BLACK/YELLOW  | 1        | 1      | 1      |
| 6     | OVER MOLD                  | TPE          | YELLOW        |          |        |        |
| 7     | CABLE, 24 AWG, 3 CONDUCTOR | PUR JACKET   | BLACK         | 1        |        |        |
|       | CABLE, 24 AWG, 4 CONDUCTOR | PUR JACKET   | BLACK         |          | 1      |        |
|       | CABLE, 24 AWG, 4 CONDUCTOR | PVC JACKET   | BLACK         |          | 1      |        |
|       | CABLE, 24 AWG, 5 CONDUCTOR | PUR JACKET   | BLACK         |          |        | 1      |
| 8     | INSERT MALE 3 POLE         | PUR          | BLACK         | 1        |        |        |
|       | INSERT MALE 4 POLE         | PUR          | BLACK         |          | 1      |        |
|       | INSERT MALE 5 POLE         | PUR          | BLACK         |          |        | 1      |

| PART NUMBER | DESCRIPTION   | FINISHED LENGTH                | MATERIAL |
|-------------|---------------|--------------------------------|----------|
| 1200271079  | 403006P02M010 | 1M +60MM -0 [3' 3" +2.19" -0]  | PUR      |
| 1200270911  | 403006P02M020 | 2M +90MM -0 [6' 6" +3.5" -0]   | PUR      |
| 1200270453  | 403006P02M040 | 4M +150MM -0 [13' 1" +6" -0]   | PUR      |
| 1200860474  | 403006P02M050 | 5M +150MM -0 [16' 4" +6" -0]   | PUR      |
| 1200860583  | 403006P02M060 | 6M +150MM -0 [19' 7" +6" -0]   | PUR      |
| 1200270933  | 403006P02M100 | 10M +300MM -0 [32' 4" +12" -0] | PUR      |
| 1200868372  | 404006P02M010 | 1M +60MM -0 [3' 3" +2.19" -0]  | PUR      |
| 1200868373  | 404006P02M020 | 2M +90MM -0 [6' 6" +3.5" -0]   | PUR      |
| 1200860584  | 404006P02M040 | 4M +150MM -0 [13' 1" +6" -0]   | PUR      |
| 1200868375  | 404006P02M050 | 5M +150MM -0 [16' 4" +6" -0]   | PUR      |
| 1200860585  | 404006P02M060 | 6M +150MM -0 [19' 7" +6" -0]   | PUR      |
| 1200271137  | 404006P02M100 | 10M +300MM -0 [32' 4" +12" -0] | PUR      |
| 1200270752  | 405006P02M020 | 2M +90MM -0 [6' 6" +3.5" -0]   | PUR      |
| 1200860586  | 405006P02M040 | 4M +150MM -0 [13' 1" +6" -0]   | PUR      |
| 1200270657  | 405006P02M050 | 5M +150MM -0 [16' 4" +6" -0]   | PUR      |
| 1200860587  | 405006P02M060 | 6M +150MM -0 [19' 7" +6" -0]   | PUR      |
| 1200860588  | 405006P02M100 | 10M +300MM -0 [32' 4" +12" -0] | PUR      |
| 1200868161  | 404006E02M010 | 1M +60MM -0 [3' 3" +2.19" -0]  | PVC      |
| 1200868368  | 404006E02M020 | 2M +90MM -0 [6' 6" +3.5" -0]   | PVC      |
| 1200270376  | 404006E02M050 | 5M +150MM -0 [16' 4" +6" -0]   | PVC      |

| SPECIFICATION                             |
|---|
| Protection Class - IP67                   |
| Voltage Rating - 3 Pole/60V, 4+5 Pole/30V |
| Contact Current Rating - 3 Amps           |
| Wires: 0.25mm <sup>2</sup> PVC/PUR        |

|  |                                      |  |         |                                 |   |   |                               |                        |
|--|--------------------------------------|--|---------|---------------------------------|---|---|-------------------------------|------------------------|
| <b>ENTER DESCRIPTION</b><br>EC NO: WEU2012-0001<br>DRAWN BY: SCHIEBER 2011/06/22<br>CHKD: REISSNER 2011/07/13<br>APPR: LOURGER 2011/07/20<br>B | <b>QUALITY SYMBOLS</b><br>▽=0<br>▽=0 | <b>GENERAL TOLERANCES (UNLESS SPECIFIED)</b>               |         | <b>DIMENSION STYLE</b><br>IN/MM |   | SCALE<br>5:1                            | DESIGN UNITS<br>INCH          | THIRD ANGLE PROJECTION |
|  |                                      | 4 PLACES ± --- ± ---                                       | mm INCH | DRAWN BY<br>BWOODMAN            | DATE<br>18/08/09  | TITLE<br>CSE M8 XP MA STR<br>PUR PVC UN |                               |                        |
|  |                                      | 3 PLACES ± --- ± ---                                       |         | CHECKED BY<br>RSTONE            | DATE<br>18/08/09  | MOLEX INCORPORATED                      |                               |                        |
|  |                                      | 2 PLACES ± --- ± ---                                       |         | APPROVED BY<br>JFMURPHY         | DATE<br>18/08/09  | MATERIAL NO.<br>SEE CHART               | DOCUMENT NO.<br>SD-120027-002 |                        |
|  |                                      | DRAFT WHERE APPLICABLE<br>MUST REMAIN<br>WITHIN DIMENSIONS |         | SIZE<br>A2                      | THIS DRAWING CONTAINS INFORMATION THAT IS PROPRIETARY TO MOLEX INCORPORATED AND SHOULD NOT BE USED WITHOUT WRITTEN PERMISSION |   |                               | SHEET NO.<br>2 OF 2    |