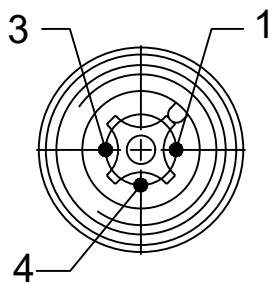
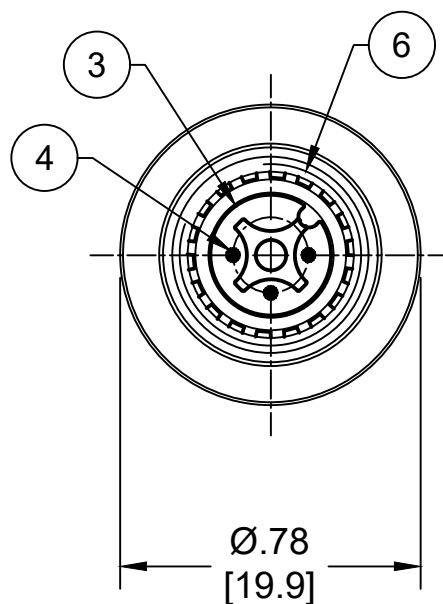


**MALE FACE VIEW
3-POLE**



WIRING DIAGRAM

1 BROWN
3 BLUE
4 BLACK



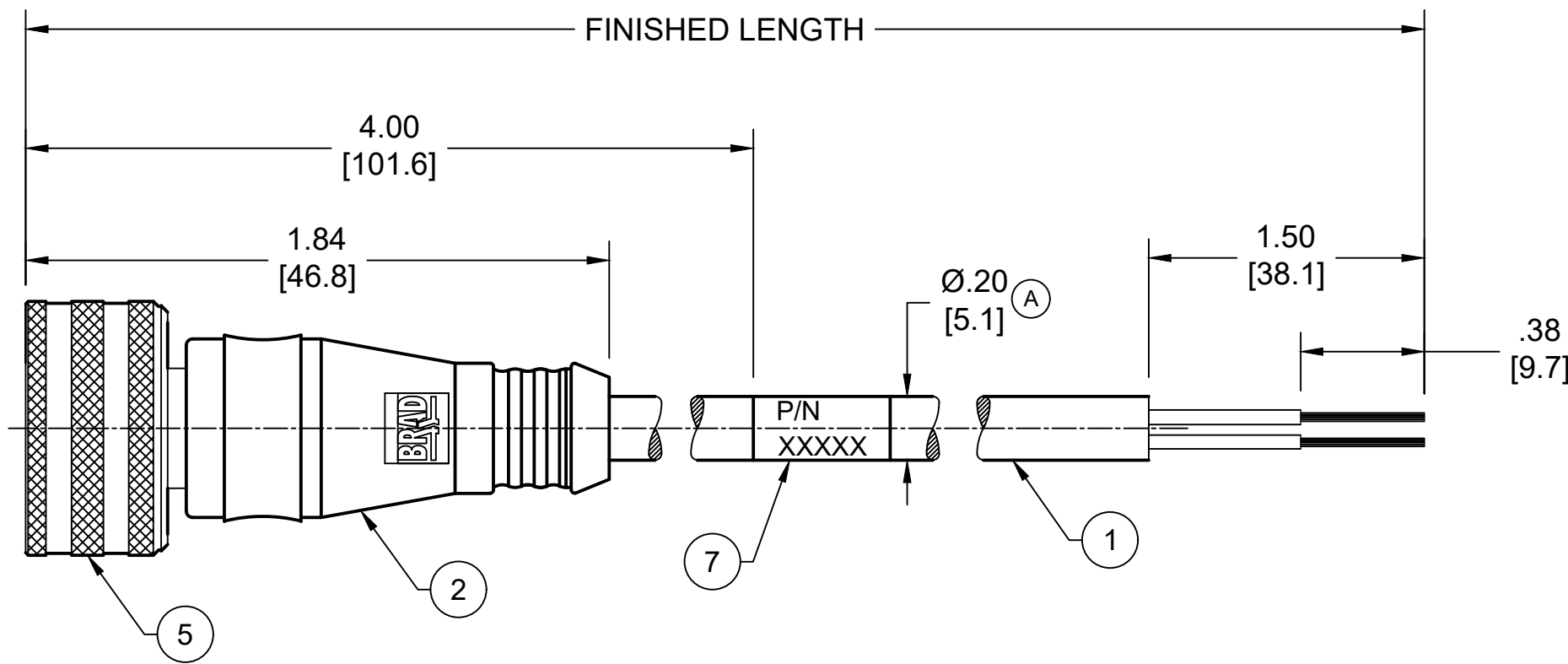
NOTES:

1. MATERIAL: AS NOTED
2. FINISH: AS NOTED
3. ELECTRICAL:
VOLTAGE: 250V
CURRENT: 4A
4. TEMP RATING: -20°TO +105°C
5. PROTECTION: IP67/69K (WHEN MATED)
6. CSA CERTIFIED FILE: LR6837 (A)
7. ALL DIMENSIONS ARE FOR REFERENCE UNLESS TOLERANCED OR NOTED OTHERWISE

| ITEM | DESCRIPTION | MATERIAL | FINISH |
|------|---------------|--------------|------------------|
| 7 | WRAP LABEL | VINYL | BLACK/YELLOW (A) |
| 6 | O-RING | VITON | GREEN (A) |
| 5 | COUPLER | BRASS | NICKEL PLATED |
| 4 | CONTACT PIN | COPPER ALLOY | GOLD OVER NICKEL |
| 3 | MALE INSERT | PUR | BLACK (A) |
| 2 | OVERMOLD | PUR | YELLOW |
| 1 | #22 AWG CABLE | PVC JACKET | YELLOW |

DOCUMENT STATUS | P1 | RELEASE DATE | 2022/04/16 16:04:42

| (A) PART NO | ENGINEERING NO. | FINISHED LENGTH |
|-------------|-----------------|------------------|
| 1200790175 | W03006A09M020 | 2M [6FT 7 IN] |
| 1200790173 | W03006A09M050 | 5M [16FT 5 IN] |
| 1200790171 | W03006A09M100 | 10M [32FT 10 IN] |



(A) **PART NUMBER LEGEND**
W03006A09M020

FINISHED LENGTH
M005 = 0.5 METER
M010 = 1 METER
M100 = 10 METER

(A) **CABLE LENGTH TOLERANCES**

| | |
|--------------------------|-------------------------|
| <.3M [1FT]: | +19mm-0 [+ .75in-0] |
| .3 - .9M [1 - 3FT]: | +44.5mm-0 [+1.75in-0] |
| .9 - 1.8M [3 - 6FT]: | +55.6mm-0 [+2.19in-0] |
| 1.8 - 3.7M [6 - 12FT]: | +88.9mm-0 [+3.50in-0] |
| 3.7 - 7.3M [12 - 24FT]: | +165.1mm-0 [+6.50in-0] |
| 7.3-14.6M [24 - 48FT]: | +317.5mm-0 [+12.50in-0] |
| 14.6 - 30.5M [48-100FT]: | +622.3mm-0 [+24.50in-0] |
| OVER 30M [100FT] | +2% OF FINISHED LENGTH |

| | | | | |
|--|---|---------------------------|---|--------------------------------|
| FUNCTIONAL SYMBOLS FA=0 FB=0 FC=0 | THIS DRAWING CONTAINS INFORMATION THAT IS PROPRIETARY TO MOLEX ELECTRONIC TECHNOLOGIES, LLC AND SHOULD NOT BE USED WITHOUT WRITTEN PERMISSION | | <p>molex</p> <p>MICRO-CHANGE ULTRA LOCK, M12 3-POLE, MALE, STRAIGHT, SINGLE KEY, #22 AWG</p> <p>PRODUCT CUSTOMER DRAWING</p> | |
| | DIMENSION UNITS INCH/MM | SCALE NTS | | |
| DIVISIONAL SYMBOLS | GENERAL TOLERANCES (UNLESS SPECIFIED) | | EC NO: 702709 | |
| | 4 PLACES ±---- | mm INCH ±---- | DRWN: ABENJAMINLW 2021/07/20 | 2022/04/11 |
| DRAFT WHERE APPLICABLE MUST REMAIN WITHIN DIMENSIONS | THIRD ANGLE PROJECTION | | CHK'D: RSTONE 2022/04/11 | |
| | DRAWING | | APPR: BWOODMAN 2022/04/16 | |
| SERIES | | INITIAL REVISION: | | DOCUMENT NUMBER |
| A3-SIZE | | DRWN: LSTEMMLE 2010/02/10 | | SD-120079-023 |
| 120079 | | APPR: FPACHER 2010/02/15 | | DOC TYPE DOC PART REVISION |
| SEE CHART | | GENERAL MARKET | | PSD 001 A |
| MATERIAL NUMBER | | CUSTOMER | | SHEET NUMBER |
| 120079 | | GENERAL MARKET | | 1 OF 1 |