

- NOTES: VALID UNLESS OTHERWISE SPECIFIED
1. GENERAL:
    - a. CONNECTOR HEADER MUST BE VALIDATED TO THE FOLLOWING FUNCTIONAL REQUIREMENTS:
      - POLARIZATION FEATURE EFFECTIVENESS - SEE PRODUCT SPECIFICATION
      - PIN RETENTION - USCAR-2 REV 4
      - SOLDERABILITY - SMES-152
    - b. APPLICATION REQUIREMENTS (REFERENCE ONLY) FOR:
      - SEE APPLICATION SPECIFICATION - AS-34729-020/AS-31408-100
      - SEE PRODUCT SPECIFICATION - PS-34729-020/PS-34729-020
    - c. PACKAGING SPECIFICATION: SEE CHART
  2. DESIGN: MATERIALS:
    - a. SHROUD (PLASTIC HOUSING):
      - RESIN - SPS 30%GF - 20% REGRIND MAX. BY WEIGHT
    - b. 0.64MM PINS:
      - BASE MATERIAL: C26000
      - PLATING TYPE: AS NOTED
    - c. PIN ALIGNMENT PLATE: RESIN - SPS 30%GF - 20% REGRIND MAX. BY WEIGHT
  3. PLATING REQUIREMENTS:
    - a. UNDERPLATING - OVERALL NICKEL
    - b. OVERPLATING - OVERALL TIN
  4. INTERFACE: USCAR
    - 064-U-008-2-202
    - 064-U-012-2-203
    - 064-U-016-2-203
    - 064-U-020-2-202

SOME CHAMFERS HAVE BEEN MODIFIED TO IMPROVE POLARIZATION EFFECTIVENESS. SEE AS-34729-002/AS-31408-100.

| REMOVE PANEL VIEW<br>DEC NO: UAU2007-1044<br>DRAWN: FISCHER01 2017/05/11<br>CHKD:<br>APPR: RBAUMAN<br>2017/05/15 | QUALITY SYMBOLS   | GENERAL TOLERANCES (UNLESS SPECIFIED)  | DIMENSION STYLE | SCALE                     | DESIGN UNITS     | THIRD ANGLE PROJECTION |       |        |          |       |        |          |       |        |         |       |        |  |               |                                |                          |
|--|---|--|-----------------|---------------------------|------------------|------------------------|-------|--------|----------|-------|--------|----------|-------|--------|---------|-------|--------|--|---------------|--------------------------------|--------------------------|
|  | $\nabla=0$<br>$\nabla=0$  | <table border="1"> <thead> <tr> <th></th> <th>mm</th> <th>INCH</th> </tr> </thead> <tbody> <tr> <td>4 PLACES</td> <td>±.005</td> <td>±.0004</td> </tr> <tr> <td>3 PLACES</td> <td>±.008</td> <td>±.0003</td> </tr> <tr> <td>2 PLACES</td> <td>±.013</td> <td>±.0005</td> </tr> <tr> <td>1 PLACE</td> <td>±.025</td> <td>±.0010</td> </tr> </tbody> </table> ANGULAR ± 1° |                 | mm                        | INCH             | 4 PLACES               | ±.005 | ±.0004 | 3 PLACES | ±.008 | ±.0003 | 2 PLACES | ±.013 | ±.0005 | 1 PLACE | ±.025 | ±.0010 | MM ONLY<br>DRAWN BY: JFISCHER01<br>DATE: 2013/07/26<br>CHECKED BY: | 2:1<br>METRIC | TITLE: STAC64 PAP R/A LONG PIN | Molex MOLEX INCORPORATED |
|  |   | mm   | INCH            |                           |                  |                        |       |        |          |       |        |          |       |        |         |       |        |  |               |                                |                          |
|  | 4 PLACES  | ±.005  | ±.0004          |                           |                  |                        |       |        |          |       |        |          |       |        |         |       |        |  |               |                                |                          |
| 3 PLACES   | ±.008   | ±.0003   |                 |                           |                  |                        |       |        |          |       |        |          |       |        |         |       |        |  |               |                                |                          |
| 2 PLACES   | ±.013   | ±.0005   |                 |                           |                  |                        |       |        |          |       |        |          |       |        |         |       |        |  |               |                                |                          |
| 1 PLACE  | ±.025   | ±.0010   |                 |                           |                  |                        |       |        |          |       |        |          |       |        |         |       |        |  |               |                                |                          |
| DRAFT WHERE APPLICABLE MUST REMAIN WITHIN DIMENSIONS   | SEE CHART   | APPROVED BY: RBAUMAN<br>DATE: 2013/08/05   | MATERIAL NO.    | DOCUMENT NO. SD-34691-601 | SHEET NO. 1 OF 3 |                        |       |        |          |       |        |          |       |        |         |       |        |  |               |                                |                          |
| SIZE D   | THIS DRAWING CONTAINS INFORMATION THAT IS PROPRIETARY TO MOLEX INCORPORATED AND SHOULD NOT BE USED WITHOUT WRITTEN PERMISSION |  |                 |                           |                  |                        |       |        |          |       |        |          |       |        |         |       |        |  |               |                                |                          |

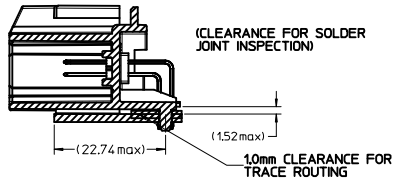
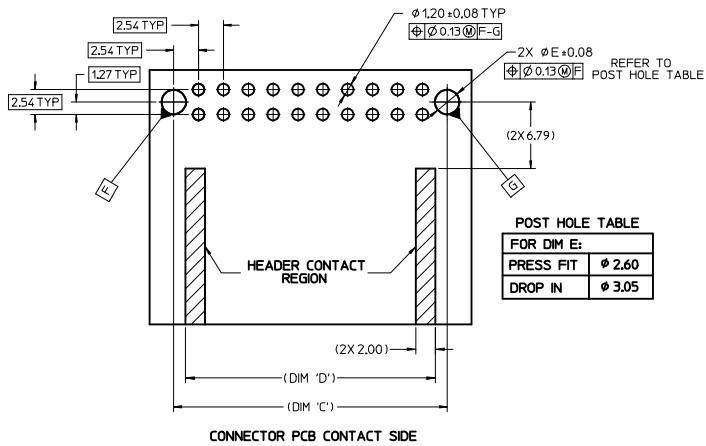
| MATERIAL NUMBER                |                                | CKT SIZE | DESCRIPTION                           | POL | COLOR | MATERIAL NUMBER                |                                | CKT SIZE | DESCRIPTION                           | POL | COLOR |
|--------------------------------|--------------------------------|----------|---------------------------------------|-----|-------|--------------------------------|--------------------------------|----------|---------------------------------------|-----|-------|
| TRAY PACKAGING<br>PK-31300-892 | TUBE PACKAGING<br>PK-31301-063 |          |                                       |     |       | TRAY PACKAGING<br>PK-31300-892 | TUBE PACKAGING<br>PK-31301-063 |          |                                       |     |       |
| 34691-6200                     | 34691-9246                     | 20       | STAC64 RIGHT ANGLE<br>HEADER ASSEMBLY | A   | BLACK | 34691-6120                     | 34691-9623                     | 12       | STAC64 RIGHT ANGLE<br>HEADER ASSEMBLY | A   | BLACK |
| 34691-6201                     | 34691-9256                     | 20       | STAC64 RIGHT ANGLE<br>HEADER ASSEMBLY | B   | GREY  | 34691-6121                     | 34691-9624                     | 12       | STAC64 RIGHT ANGLE<br>HEADER ASSEMBLY | B   | GREY  |
| 34691-6202                     | 34691-9266                     | 20       | STAC64 RIGHT ANGLE<br>HEADER ASSEMBLY | C   | BROWN | 34691-6122                     | 34691-9625                     | 12       | STAC64 RIGHT ANGLE<br>HEADER ASSEMBLY | C   | BROWN |
| 34691-6203                     | 34691-9276                     | 20       | STAC64 RIGHT ANGLE<br>HEADER ASSEMBLY | D   | GREEN | 34691-6080                     | 34691-9680                     | 8        | STAC64 RIGHT ANGLE<br>HEADER ASSEMBLY | A   | BLACK |
| 34691-6160                     | 34691-9660                     | 16       | STAC64 RIGHT ANGLE<br>HEADER ASSEMBLY | A   | BLACK | 34691-6081                     | 34691-9681                     | 8        | STAC64 RIGHT ANGLE<br>HEADER ASSEMBLY | B   | GREY  |
| 34691-6161                     | 34691-9661                     | 16       | STAC64 RIGHT ANGLE<br>HEADER ASSEMBLY | B   | GREY  | 34691-6082                     | 34691-9682                     | 8        | STAC64 RIGHT ANGLE<br>HEADER ASSEMBLY | C   | BROWN |
| 34691-6162                     | 34691-9662                     | 16       | STAC64 RIGHT ANGLE<br>HEADER ASSEMBLY | C   | BROWN |                                |                                |          |                                       |     |       |

|   |  |   |                                |              |                                  |                        |
|---|--|---|--------------------------------|--------------|----------------------------------|------------------------|
| <b>REMOVE PANEL VIEW</b><br>EEC NO. UAU2017-1044<br>DRAWN: JFISCHERO1 2017/05/11<br>CHKD: [Signature]<br>APPR: RBAUMAN 2017/05/15<br>REV: [Signature] | QUALITY SYMBOLS<br>▽=0<br>▽=0                        | GENERAL TOLERANCES (UNLESS SPECIFIED)<br>mm INCH<br>4 PLACES ± --- ± ---<br>3 PLACES ± --- ± ---<br>2 PLACES ± 0.13 ± ---<br>1 PLACE ± 0.25 ± ---<br>ANGULAR ± 1° | DIMENSION STYLE<br>MM ONLY     | SCALE<br>4:1 | DESIGN UNITS<br>METRIC           | THIRD ANGLE PROJECTION |
|   | DRAWN BY DATE<br>JFISCHERO1 2013/07/26               |   | CHECKED BY DATE<br>[Signature] |              | TITLE<br>STAC64 PAP R/A LONG PIN |                        |
|   | APPROVED BY DATE<br>RBAUMAN 2013/08/05               |   | MATERIAL NO.<br>SEE CHART      |              | DOCUMENT NO.<br>SD-34691-601     |                        |
|   | DRAFT WHERE APPLICABLE MUST REMAIN WITHIN DIMENSIONS |   |                                |              |                                  |                        |

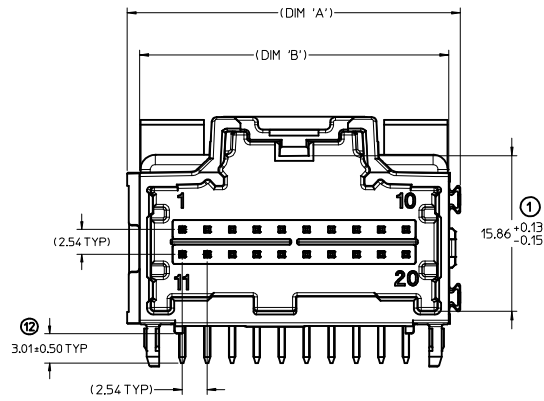
MOLEX INCORPORATED  
SHEET NO. 2 OF 3

| CKT SIZE | DIM 'A' | DIM 'B' | DIM 'C' | DIM 'D' |
|----------|---------|---------|---------|---------|
| 20       | 34.04   | 31.57   | 27.94   | 25.54   |
| 16       | 28.96   | 26.49   | 22.86   | 20.46   |
| 12       | 23.88   | 21.41   | 17.78   | 15.38   |
| 8        | 18.80   | 16.53   | 12.70   | 10.30   |

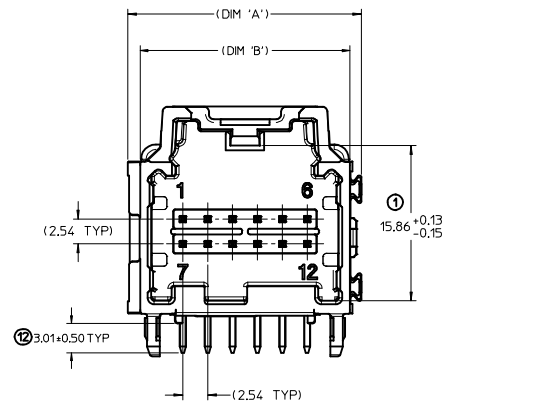
### RECOMMENDED PCB LAYOUT



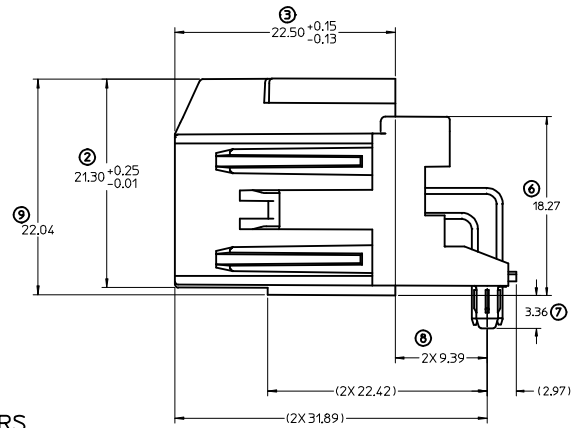
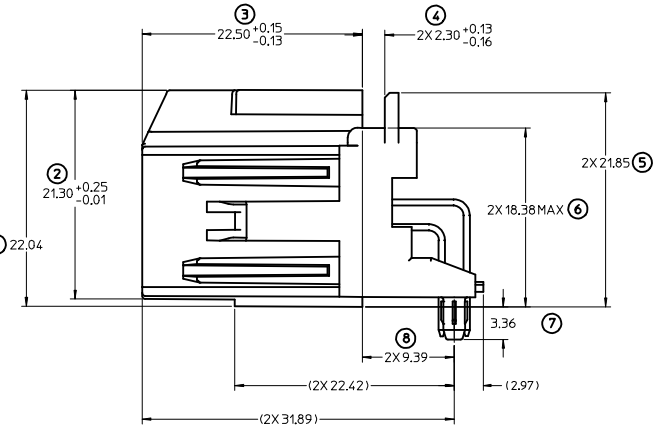
\*RECOMMENDED FOR REFLOW SOLDER\*  
 FLUSH MOUNTING:  
 SCALE 2:1



LAYOUT FOR 16 & 20 CKT. HEADERS  
 (20 CKT. OPTION 'A' SHOWN)



LAYOUT FOR 8 & 12 CKT. HEADERS  
 (12 CKT. OPTION 'A' SHOWN)



|  |   |  |  |                                   |                           |                               |                        |
|--|---|--|--|-----------------------------------|---------------------------|-------------------------------|------------------------|
| <b>ENTER DESCRIPTION</b><br>ELEC NO. UAU2017-1044<br>DRAWN BY JFISCHER01 2013/07/11<br>CHKD: RBAUMAN<br>APPR: RBAUMAN 2013/08/05 | <b>QUALITY SYMBOLS</b><br>∇=0<br>∇=0<br>∇=0 | <b>GENERAL TOLERANCES (UNLESS SPECIFIED)</b>   |  | <b>DIMENSION STYLE</b><br>MM ONLY | <b>SCALE</b><br>4:1       | <b>DESIGN UNITS</b><br>METRIC | THIRD ANGLE PROJECTION |
|  |   | 4 PLACES ± mm INCH<br>3 PLACES ± --- ± ---<br>2 PLACES ± 0.13 ± ---<br>1 PLACE ± 0.25 ± ---<br>0 PLACE ± --- ± --- | APPROVED BY RBAUMAN<br>DATE 2013/08/05 | MATERIAL NO. SEE CHART            | DOCUMENT NO. SD-34691-601 | SHEET NO. 3 OF 3              |                        |

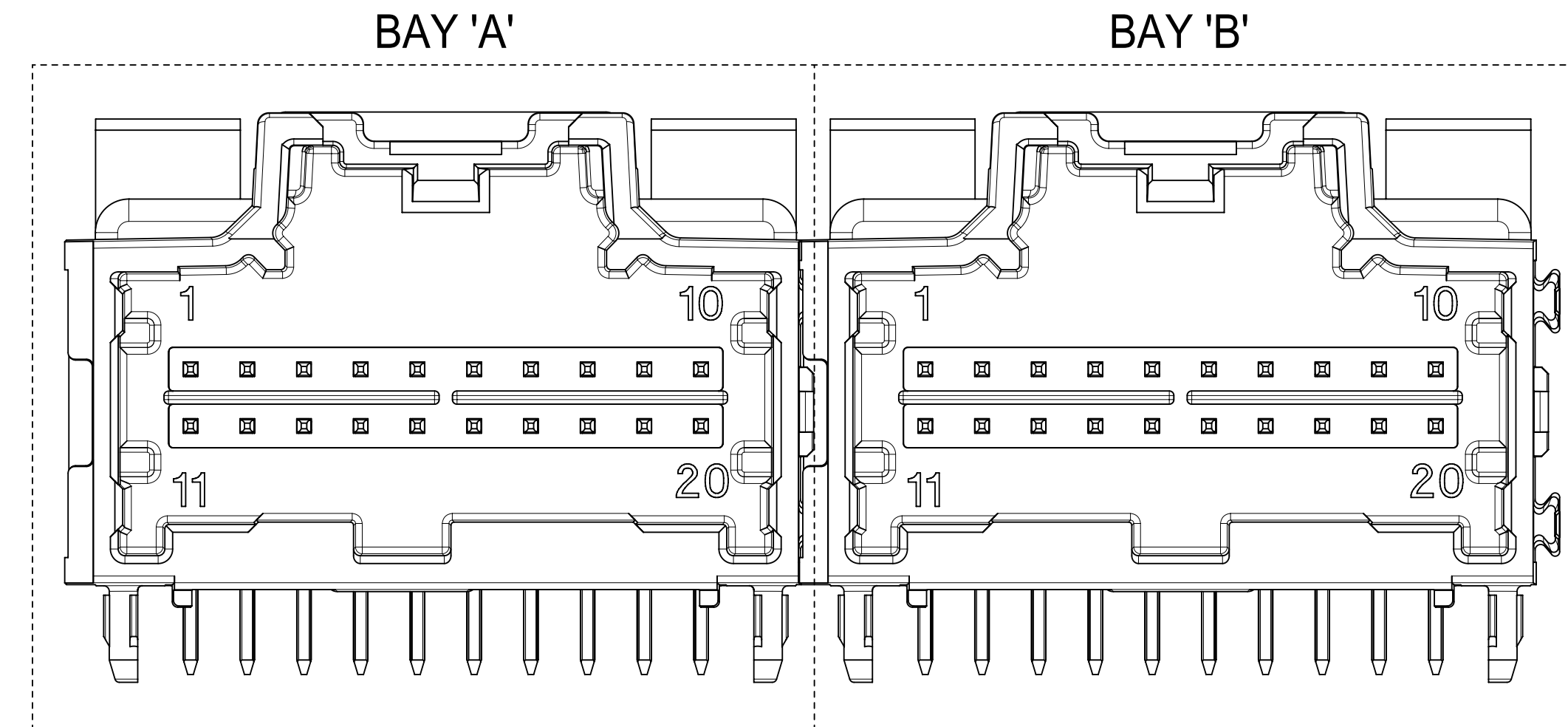
**molex**

THIS DRAWING CONTAINS INFORMATION THAT IS PROPRIETARY TO MOLEX INCORPORATED AND SHOULD NOT BE USED WITHOUT WRITTEN PERMISSION

DIMENSIONAL CHART FOR MULTIBAY CONFIGURATION:

| 2 BAY PART NUMBER<br>(TUBE PKG) | 2 BAY PART NUMBER<br>(TRAY PKG) | BAY A |        |     | BAY B |        |     | DIM 'A' | DIM 'B' | DIM 'C' | DIM 'D' |
|---------------------------------|---------------------------------|-------|--------|-----|-------|--------|-----|---------|---------|---------|---------|
|                                 |                                 | CKT   | TYPE   | POL | CKT   | TYPE   | POL |         |         |         |         |
| 34997-7000                      | 34997-2000                      | 20    | 0.64mm | A   | 20    | 0.64mm | B   | 66.94   | 64.47   | 27.94   | 27.94   |
| 34997-7001                      | 34997-2001                      | 20    | 0.64mm | C   | 8     | 0.64mm | A   | 51.70   | 49.23   | 27.94   | 12.70   |
| 34997-7002                      | 34997-2002                      | 20    | 0.64mm | C   | 12    | 0.64mm | A   | 56.78   | 54.31   | 27.94   | 17.78   |
| TBD                             | 34997-2003                      | 8     | 0.64mm | A   | 10    | HYBRID | A   | 51.70   | 49.23   | 12.70   | 27.94   |
| TBD                             | 34997-2004                      | 12    | 0.64mm | A   | 8     | 0.64mm | A   | 41.54   | 39.07   | 17.78   | 12.70   |
| TBD                             | 34997-2005                      | 20    | 0.64mm | C   | 20    | 0.64mm | B   | 66.94   | 64.47   | 27.94   | 27.94   |
| TBD                             | 34997-2006                      | 10    | HYBRID | A   | 20    | 0.64mm | A   | 66.94   | 64.47   | 27.94   | 27.94   |
| TBD                             | 34997-2007                      | 12    | 0.64mm | A   | 8     | 0.64mm | B   | 41.54   | 39.07   | 17.78   | 12.70   |
| TBD                             | 34997-2008                      | 20    | 0.64mm | A   | 16    | 0.64mm | C   | 61.86   | 59.39   | 27.94   | 22.86   |
| TBD                             | 34997-2009                      | 20    | 0.64mm | A   | 16    | 0.64mm | A   | 56.78   | 54.31   | 27.94   | 17.78   |
| 34997-7010                      | 34997-2010                      | 20    | 0.64mm | A   | 8     | 0.64mm | A   | 51.70   | 49.23   | 27.94   | 12.70   |
| 34997-7011                      | 34997-2011                      | 20    | 0.64mm | B   | 8     | 0.64mm | A   | 51.70   | 49.23   | 27.94   | 12.70   |
| TBD                             | 34997-2012                      | 12    | 0.64mm | A   | 12    | 0.64mm | C   | 46.62   | 44.15   | 17.78   | 17.78   |
| 34997-7013                      | 34997-2013                      | 20    | 0.64mm | B   | 20    | 0.64mm | C   | 66.94   | 64.47   | 27.94   | 27.94   |
| 34997-7014                      | 34997-2014                      | 10    | HYBRID | B   | 10    | HYBRID | A   | 66.94   | 64.47   | 27.94   | 27.94   |
| TBD                             | 34997-2015                      | 12    | 0.64mm | B   | 16    | 0.64mm | A   | 51.70   | 49.23   | 17.78   | 22.86   |
| 34997-7016                      | 34997-2016                      | 10    | HYBRID | B   | 20    | 0.64mm | A   | 66.94   | 64.47   | 27.94   | 27.94   |
| 34997-7017                      | 34997-2017                      | 16    | 0.64mm | B   | 16    | 0.64mm | C   | 56.78   | 54.31   | 22.86   | 22.86   |
| TBD                             | 34997-2018                      | 14    | HYBRID | A   | 10    | HYBRID | A   | 66.94   | 64.47   | 27.94   | 27.94   |
| TBD                             | 34997-2019                      | 12    | 0.64mm | A   | 20    | 0.64mm | B   | 56.78   | 54.31   | 17.78   | 27.94   |
| TBD                             | 34997-2020                      | 10    | HYBRID | B   | 12    | 0.64mm | A   | 56.78   | 54.31   | 27.94   | 17.78   |
| TBD                             | 34997-2021                      | 12    | 0.64mm | A   | 8     | 0.64mm | B   | 41.54   | 39.07   | 17.78   | 12.70   |
| TBD                             | 34997-2022                      | 10    | HYBRID | A   | 12    | 0.64mm | A   | 56.78   | 54.31   | 27.94   | 17.78   |

2 BAY STAC64 RIGHT ANGLE HEADER ASSEMBLY  
(P/N: 34997-2000 SHOWN)



NOTES: VALID UNLESS OTHERWISE SPECIFIED

1. GENERAL:

a. CONNECTOR HEADER MUST BE VALIDATED TO THE FOLLOWING FUNCTIONAL REQUIREMENTS:

PRODUCT SPECIFICATION:  
8-20 CKT 0.64 PRODUCT SPEC: PS-34729-020/PS-31408-100  
10/14CKT HYBRID PRODUCT SPEC: PS-34696-100

b. APPLICATION REQUIREMENTS (REFERENCE ONLY):

APPLICATION SPECIFICATION: AS-34729-020/AS-31408-100

c. PACKAGING SPECIFICATION PER MOLEX DRAWING PK-31300-892 (TRAY)  
d. PACKAGING SPECIFICATION PER MOLEX DRAWING PK-31301-063 (TUBE)

2. DESIGN: MATERIALS:

a. SHROUD (PLASTIC HOUSING):  
RESIN - SPS 30%GF

HOUSING COLOR:  
BLACK - POLARIZATION 'A'  
GREY - POLARIZATION 'B'  
BROWN - POLARIZATION 'C'  
GREEN - POLARIZATION 'D'

b. 0.64mm PINS:  
BASE MATERIAL: C26000  
PLATING TYPE: AS NOTED

c. 1.5/2.8mm BLADES:  
BASE MATERIAL: C19400  
PLATING TYPE: AS NOTED

3. PLATING REQUIREMENTS:

a. UNDERPLATING - OVERALL NICKEL

b. OVERPLATING - OVERALL TIN

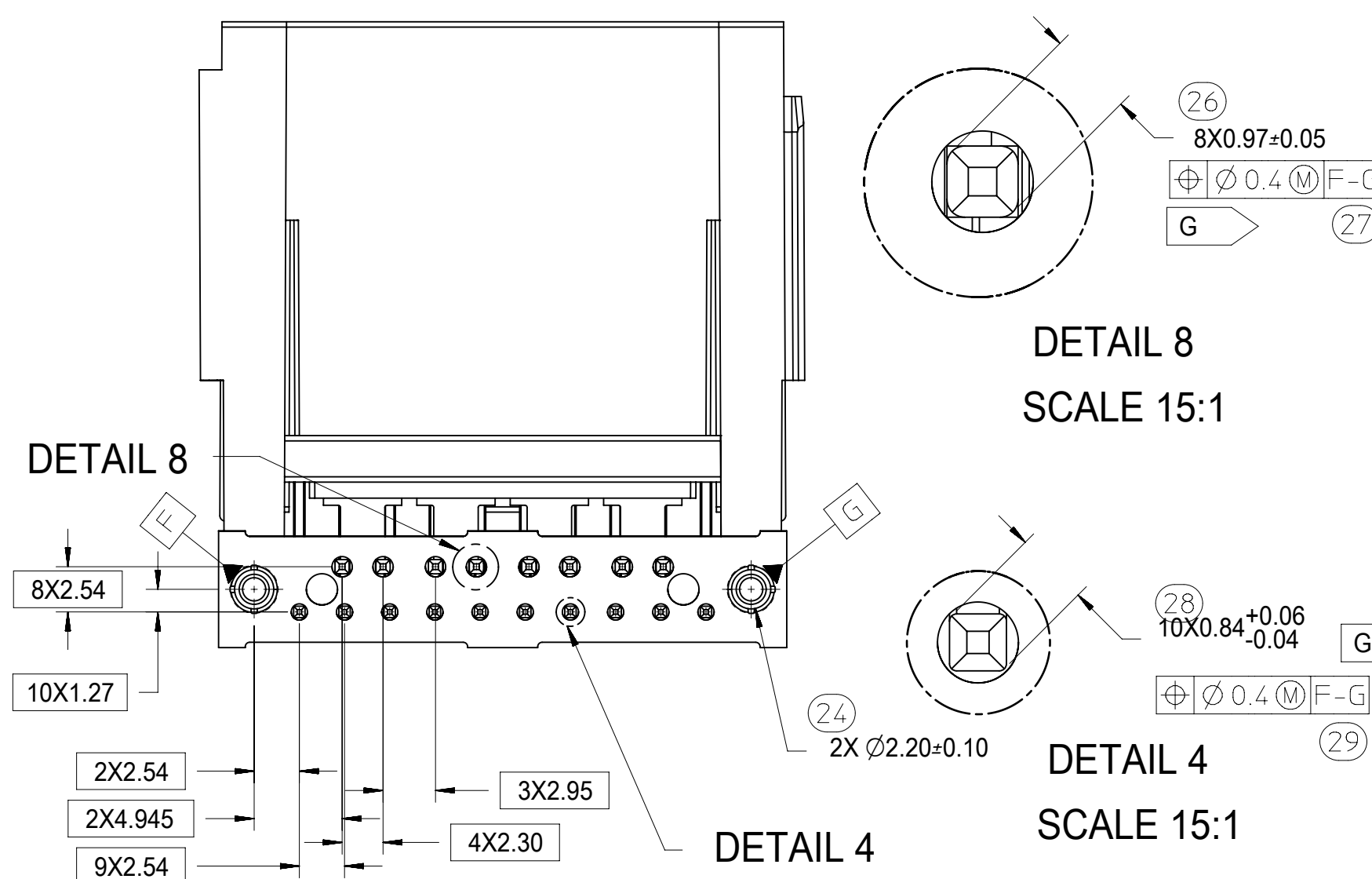
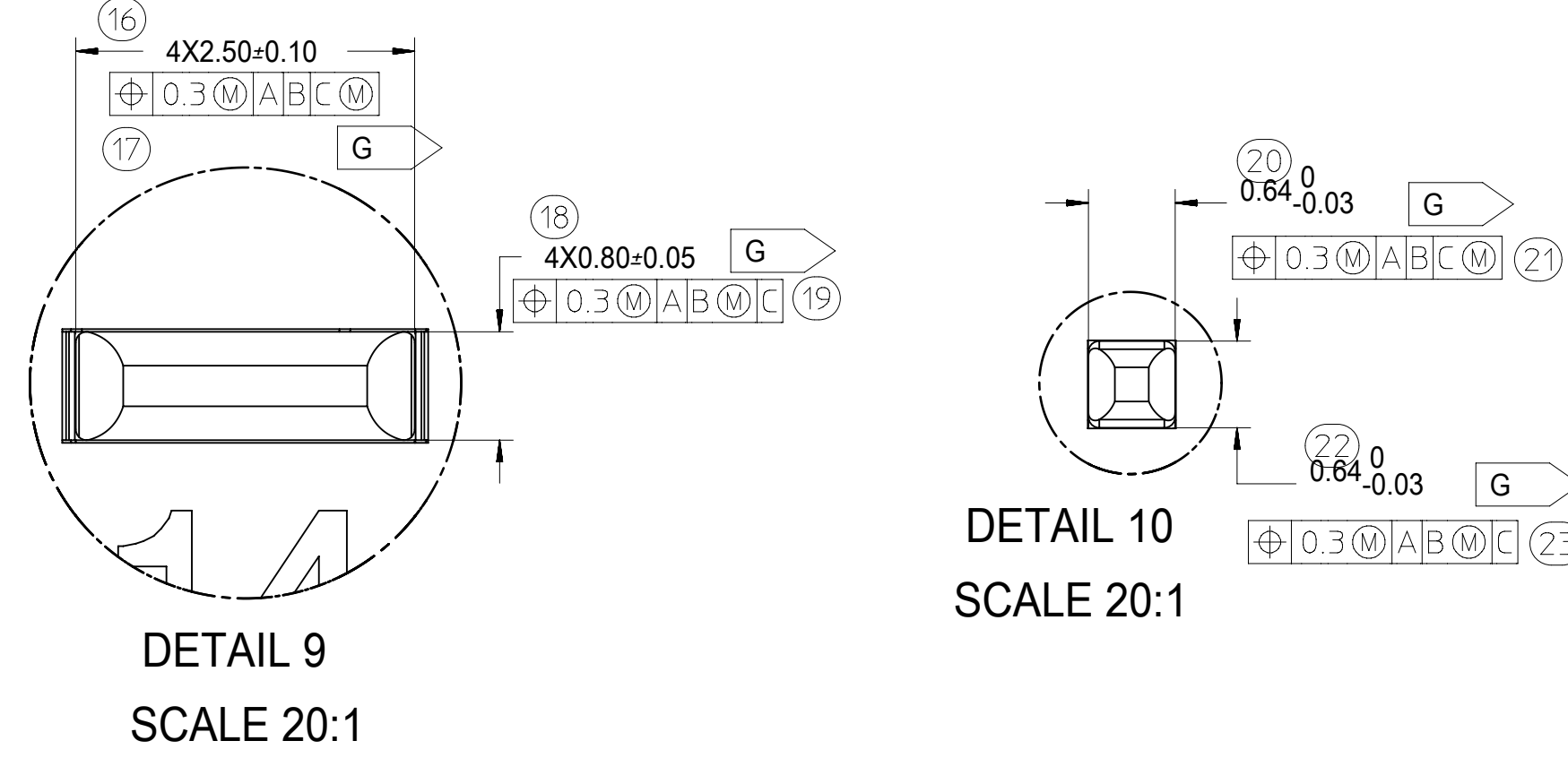
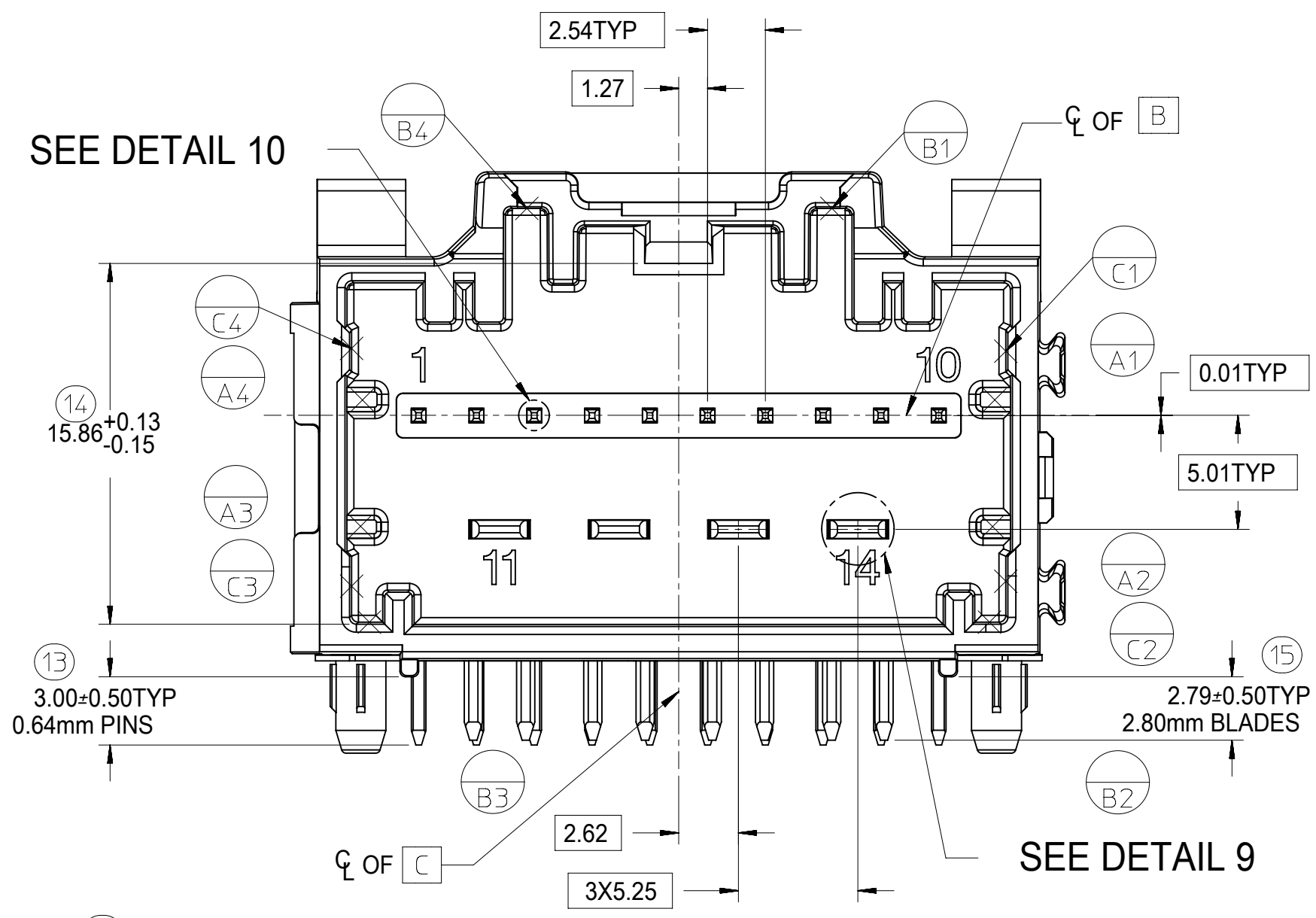
4. FOR ADDITIONAL INFORMATION AND DIMENSIONS OF INDIVIDUAL BAYS  
REFER TO THE FOLLOWING SINGLE BAY DRAWINGS:

8-20 CKT 0.64: SD-34691-601  
10CKT HYBRID: SD-34696-100  
14CKT HYBRID: SD-34773-010

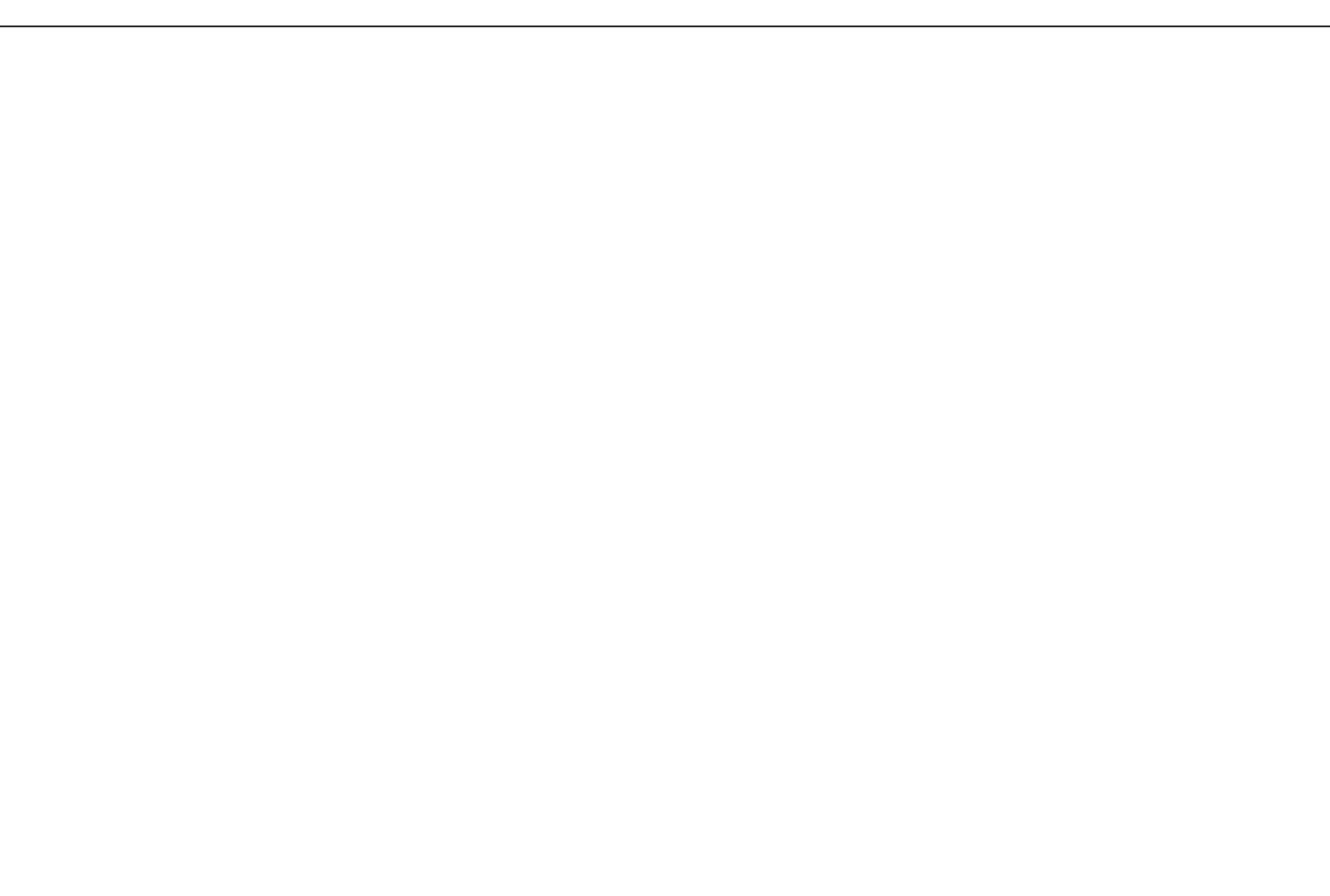
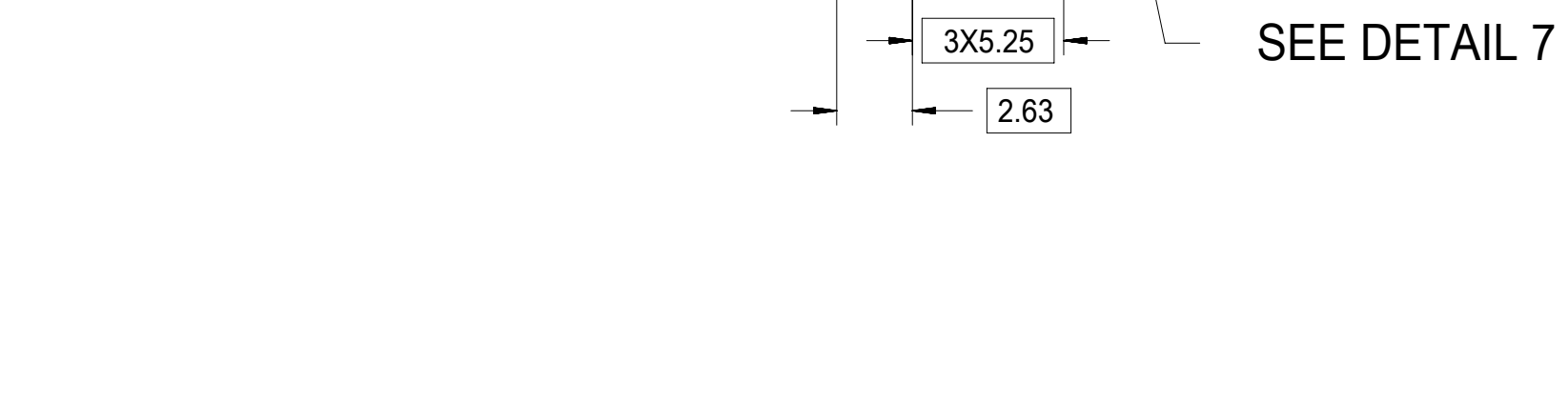
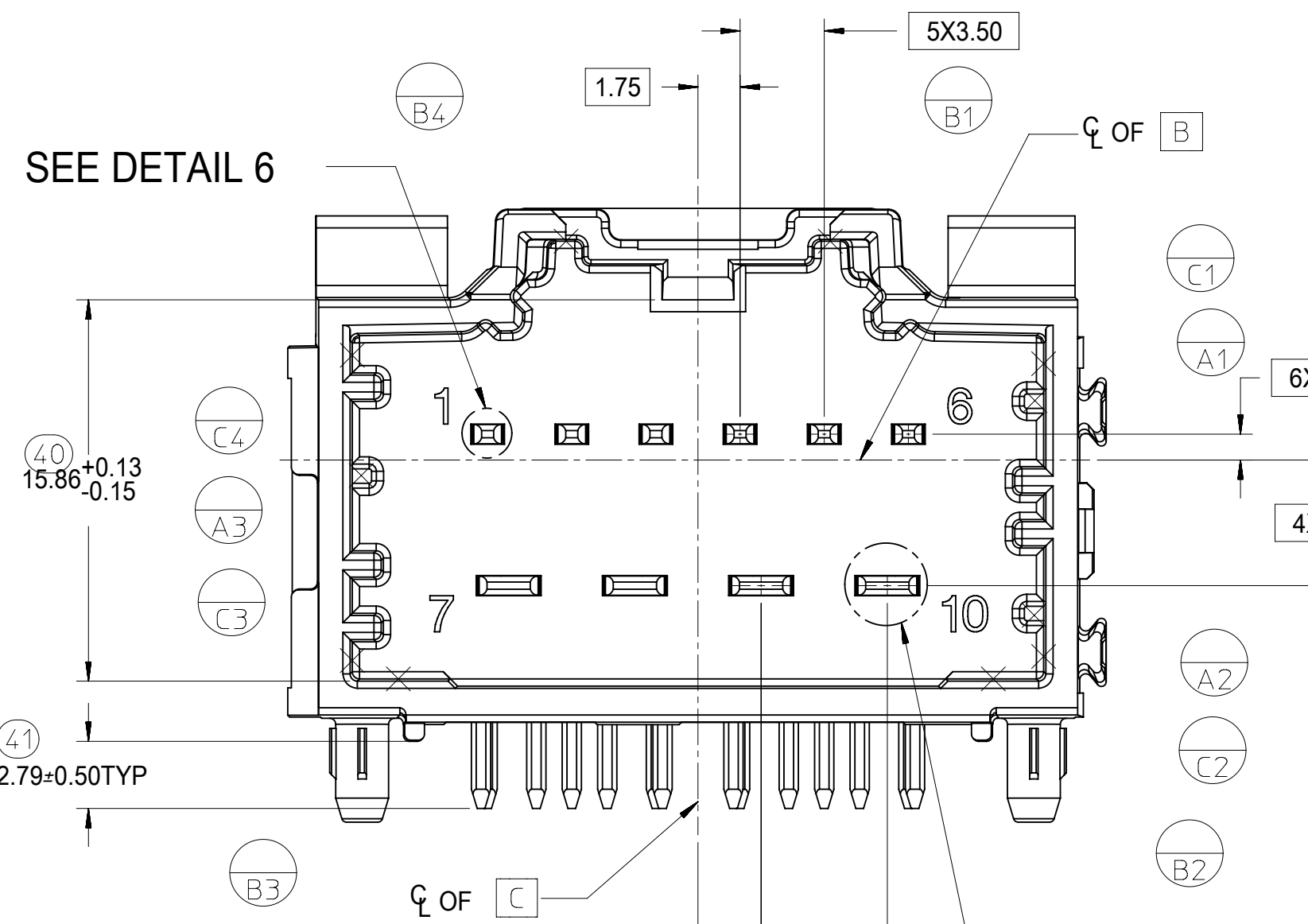
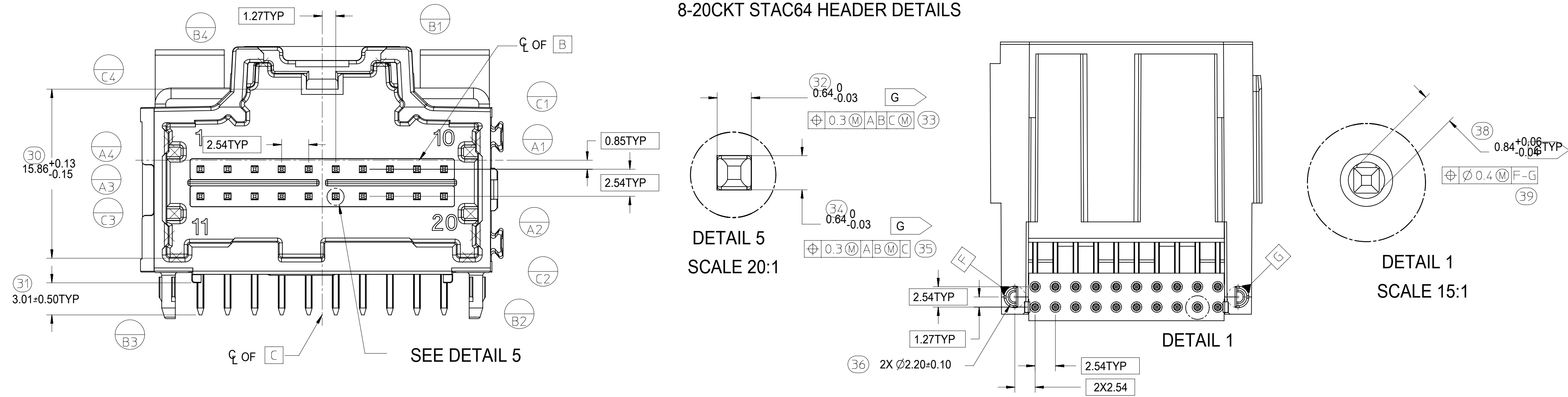
|         |   |       |   |  |   |  |
|---------|---|-------|---|--|---|--|
| SYMBOLS | THIS DRAWING CONTAINS INFORMATION THAT IS PROPRIETARY TO MOLEX ELECTRONIC TECHNOLOGIES, LLC AND SHOULD NOT BE USED WITHOUT WRITTEN PERMISSION |       | CURRENT REV DESC: ADDED NEW P/N<br>34997-2022 (10HA AND 12A)  |  |   |  |
|         | DIMENSION UNITS   | SCALE |   |  |   |  |
| ▽ = 0   | mm  | 4:1   | EC NO: 618886<br>DRWN: SHANDITHAVAL 2019/06/11<br>CHK'D: RBAUMAN 2019/06/11<br>APPR: RBAUMAN 2019/06/11 |  | 2-BAY STAC64 RIGHT ANGLE<br>PAP LONG PIN HEADER ASSEMBLY SALES<br>DRAWING |  |
| ▽ = 0   | GENERAL TOLERANCES (UNLESS SPECIFIED)   |       |   |  |   |  |
| ▽ = 0   | ANGULAR TOL ± 1.0°  |       | INITIAL REVISION:<br>DRWN: JFISCHER01 2013/05/28<br>APPR: RBAUMAN 2013/05/30                            |  | PRODUCT CUSTOMER DRAWING  |  |
| ▽ = 0   | 4 PLACES ±  |       |   |  |   |  |
| ▽ = 0   | 3 PLACES ±  |       | DOCUMENT NUMBER<br><b>SD-34997-200</b>  |  | DOC TYPE<br>PSD   |  |
| ▽ = 0   | 2 PLACES ± 0.13   |       |   |  |   |  |
| ▽ = 0   | 1 PLACE ± 0.25  |       | DOC PART<br>001   |  | REVISION<br>J5  |  |
| ▽ = 0   | 0 PLACES ±  |       |   |  |   |  |
| □ = 0   | DRAFT WHERE APPLICABLE MUST REMAIN WITHIN DIMENSIONS  |       | THIRD ANGLE PROJECTION  |  | DRAWING SERIES<br><b>D-SIZE 34997</b>                                     |  |
| ■ = 0   |   |       | MATERIAL NUMBER<br>SEE TABLE  |  | CUSTOMER<br>GENERAL MARKET  |  |
| ▽ = 0   |   |       | SHEET NUMBER<br>1 OF 3  |  |   |  |



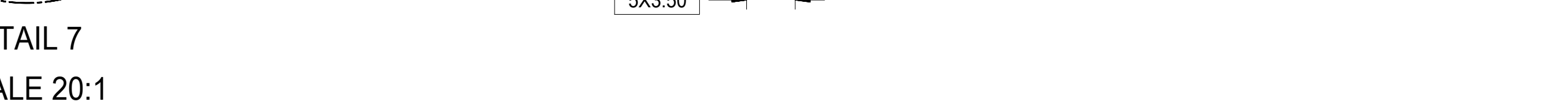
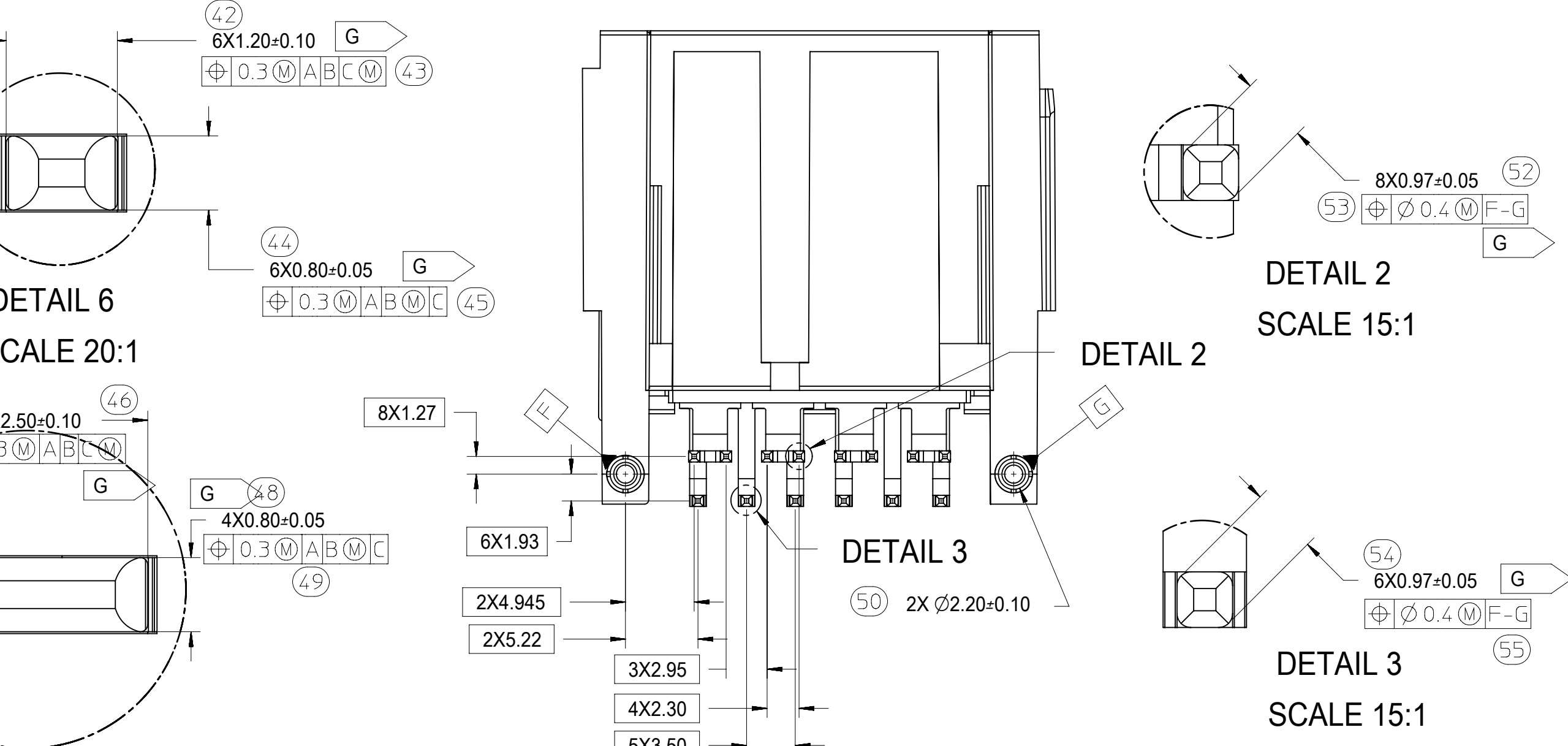
14CKT STAC HYBRID HEADER DETAILS



8-20CKT STAC64 HEADER DETAILS



10CKT STAC HYBRID HEADER DETAILS



|         |   |                 |   |
|---------|---|-----------------|---|
| SYMBOLS | THIS DRAWING CONTAINS INFORMATION THAT IS PROPRIETARY TO MOLEX ELECTRONIC TECHNOLOGIES, LLC AND SHOULD NOT BE USED WITHOUT WRITTEN PERMISSION |                 |   |
|         | DIMENSION UNITS   | SCALE           | CURRENT REV DESC: ADDED NEW P/N 34997-2022 (10HA AND 12A) |
| ▽ = 0   | mm  | 4:1             |   |
| ▽ = 0   | GENERAL TOLERANCES (UNLESS SPECIFIED)   |                 |   |
| ▽ = 0   | ANGULAR TOL ± 1.0°  |                 |   |
| ▽ = 0   | 4 PLACES ±  |                 |   |
| ▽ = 0   | 3 PLACES ±  |                 |   |
| ▽ = 0   | 2 PLACES ± 0.13   |                 |   |
| ▽ = 0   | 1 PLACE ± 0.25  |                 |   |
| ▽ = 0   | 0 PLACES ±  |                 |   |
| ▽ = 0   | DRAFT WHERE APPLICABLE MUST REMAIN WITHIN DIMENSIONS  |                 |   |
|         | THIRD ANGLE PROJECTION  | DRAWING         | SERIES  |
|         |   | D-SIZE          | 34997   |
|         |   | MATERIAL NUMBER | CUSTOMER  |
|         |   | SEE TABLE       | GENERAL MARKET  |
|         |   | SHEET NUMBER    | 3 OF 3  |

**molex**

2-BAY STAC64 RIGHT ANGLE  
PAP LONG PIN HEADER ASSEMBLY SALES  
DRAWING

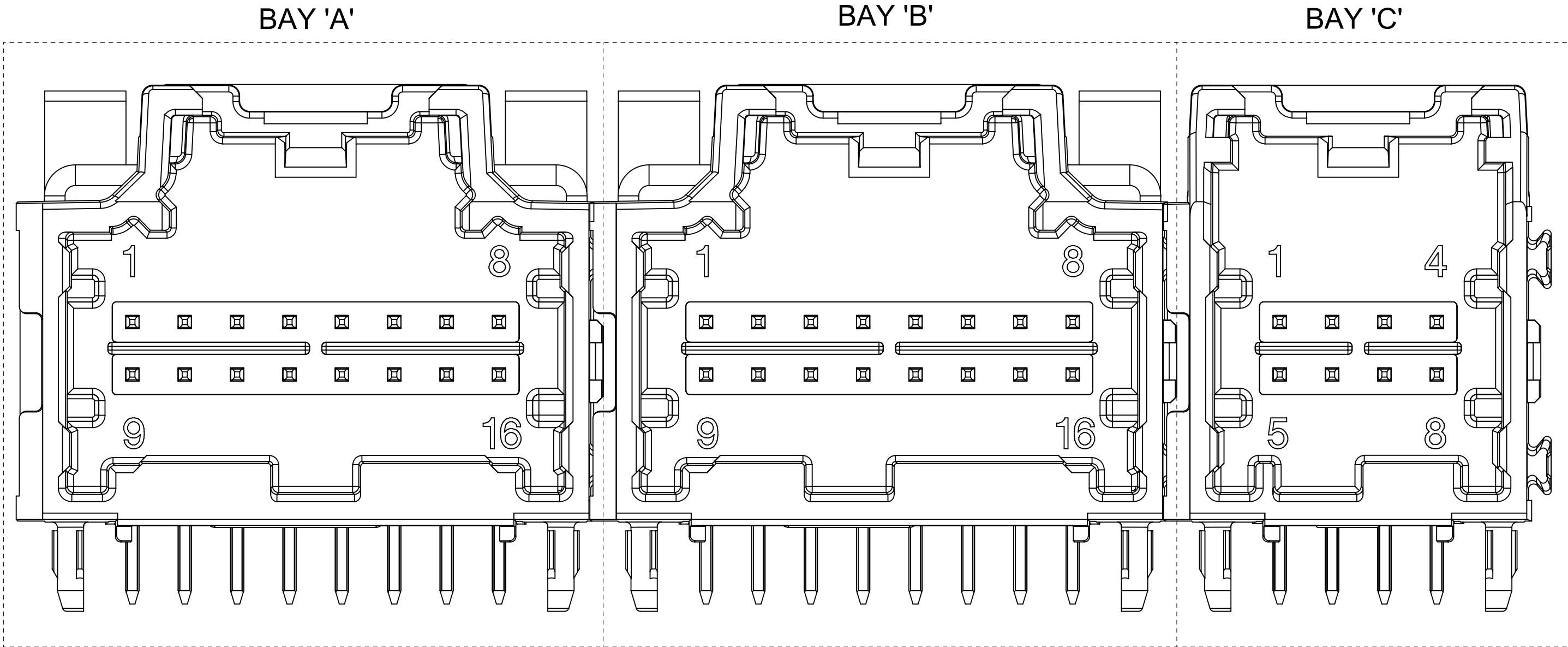
PRODUCT CUSTOMER DRAWING

DOCUMENT NUMBER DOC TYPE DOC PART REVISION

SD-34997-200 PSD 001 J5

| TABLE OF CONTENTS |  |
|-------------------|--|
| 1                 | NOTES, INSPECTION BALLOON NUMBER LOG, REV. TABLE, 3 BAY ASSEMBLY VIEW                                |
| 2                 | DIMENSIONAL CHART FOR MULTIBAY CONFIGURATION   |
| 3                 | 3 BAY ASSEMBLY VIEW, RECOMMENDED PCB LAYOUT, FLUSH MOUNTING VIEW, POST HOLE TABLE, DIMENSION DETAILS |
| 4                 | 8-20CKT 0.64MM HEADER DETAILS, 14CKT HYBRID HEADER DETAILS, 10CKT HYBRID HEADER DETAILS              |
| 5                 | RECOMMENDED SINGLE PCB LAYOUT FOR 10CKT HYBRID, 14CKT HYBRID, AND 8-20CKT 0.64MM                     |

## 3-BAY STAC64 RIGHT ANGLE HEADER ASSEMBLY (P/N: 34997-3000 SHOWN)



- L10** NOTES: VALID UNLESS OTHERWISE SPECIFIED
1. GENERAL:
    - a. CONNECTOR HEADER MUST BE VALIDATED TO THE FOLLOWING FUNCTIONAL REQUIREMENT:  
 PRODUCT SPECIFICATION:  
 8-20 CKT 0.64 PRODUCT SPEC: PS-34729-020/PS-31408-100  
 10 CKT HYBRID PRODUCT SPEC: PS-31372-100  
 14 CKT HYBRID PRODUCT SPEC: PS-34969-100
    - b. APPLICATION REQUIREMENTS (REFERENCE ONLY):  
 APPLICATION SPECIFICATION: AS-34729-020/AS-31408-100
    - c. PACKAGING SPECIFICATION PER MOLEX DRAWING PK-31300-892 (TRAY)
    - d. PACKAGING SPECIFICATION PER MOLEX DRAWING PK-31301-063 (TUBE)
  2. DESIGN MATERIALS:
    - a. SHROUD (PLASTIC HOUSING):  
 RESIN - SPS  
 HOUSING COLOR:  
 BLACK - POLARIZATION 'A'  
 GREY - POLARIZATION 'B'  
 BROWN - POLARIZATION 'C'  
 GREEN - POLARIZATION 'D'
    - b. 0.64mm PINS:  
 BASE MATERIAL: COPPER ALLOY  
 PLATING TYPE: AS NOTED
    - c. 1.5/2.8mm BLADES:  
 BASE MATERIAL: COPPER ALLOY  
 PLATING TYPE: AS NOTED
  3. PLATING REQUIREMENTS:
    - a. UNDERPLATING - OVERALL NICKEL
    - b. OVERPLATING - OVERALL TIN
  4. FOR DESCRIPTION OF INDIVIDUAL BAYS, REFER TO THE FOLLOWING SINGLE BAY DRAWINGS:  
 8-20 CKT 0.64: SD-34691-601  
 10CKT HYBRID: SD-34696-100  
 14CKT HYBRID: SD-34773-010
  5. G DENOTES DIMENSIONS THAT MAY BE QUALIFIED WITH A GAUGE.

| REV. | REV. DESCRIPTION   | EC#    | DATE    |
|------|--|--------|---------|
| L10  | 1. UPDATED NOTES<br>2. ADDED NEW P/NS 34997-3017 AND 34997-3018 IN DIMENSIONAL CHART IN SHEET 2  | 662725 | 2021.05 |
| L9   | 1. DIEMNTIONAL CHART WAS IN SHEET 1<br>2. 10/14 CKT HYBRID SPEC WAS PS-34696-100 IN NOTES 1a SHEET 1<br>3. ADDED P/N 34997-3015 10B+20A+20B IN SHEET 2<br>4. ADDED P/N 34997-3016 12A+20C+12B IN SHEET 2 | 645306 | 2020.09 |

| SYMBOLS         |  | THIS DRAWING CONTAINS INFORMATION THAT IS PROPRIETARY TO MOLEX ELECTRONIC TECHNOLOGIES, LLC AND SHOULD NOT BE USED WITHOUT WRITTEN PERMISSION |                |
|-----------------|--|---|----------------|
| DIMENSION UNITS | SCALE  | CURRENT REV DESC:   |                |
| = 0             | mm   | 5:1   |                |
| = 0             | GENERAL TOLERANCES (UNLESS SPECIFIED)                |   |                |
| = 0             | ANGULAR TOL  | ± 1.0°  |                |
| = 0             | 4 PLACES   | ±   |                |
| = 0             | 3 PLACES   | ±   |                |
| = 0             | 2 PLACES   | ± 0.13  |                |
| = 0             | 1 PLACE  | ± 0.25  |                |
| = 0             | 0 PLACES   | ±   |                |
| = 0             | DRAFT WHERE APPLICABLE MUST REMAIN WITHIN DIMENSIONS |   |                |
|                 |  | THIRD ANGLE PROJECTION  | DRAWING        |
|                 |  |   | D-SIZE         |
|                 |  | SERIES  | 34997          |
|                 |  | MATERIAL NUMBER   | SEE CHART      |
|                 |  | CUSTOMER  | GENERAL MARKET |
|                 |  | SHEET NUMBER  | 1 OF 5         |

| INSPECTION BALLOON NUMBER LOG |   |
|-------------------------------|---|
| PER DRAWING REVISION:         | L10   |
| LAST BALLOON NUMBER USED:     | 55  |
| ADDED BALLOON NUMBERS:        |   |
| REMOVED BALLOON NUMBERS:      | 9, 10, 11, 12, 56, 57, 58, 59, 60, 61, 62, 63 |

| DOCUMENT STATUS | P1 | RELEASE DATE | 2021/05/18 | 01:38:02 |
|-----------------|----|--------------|------------|----------|
|                 |    |              |            |          |

STAC64 3-BAY PAP R/A  
LONG PIN HEADER ASSEMBLY SALES DRAWING

PRODUCT CUSTOMER DRAWING

|                 |          |          |          |
|-----------------|----------|----------|----------|
| DOCUMENT NUMBER | DOC TYPE | DOC PART | REVISION |
| SD-34997-300    | PSD      | 001      | L10      |

DIMENSIONAL CHART FOR MULTIBAY CONFIGURATION:

| 3 BAY PART NUMBER (TUBE PKG) | 3 BAY PART NUMBER (TRAY PKG) | BAY A |        |     | BAY B |        |     | BAY C |        |     | DIM 'A' | DIM 'B' | DIM 'C' | DIM 'D' | DIM 'E' |
|------------------------------|------------------------------|-------|--------|-----|-------|--------|-----|-------|--------|-----|---------|---------|---------|---------|---------|
|                              |                              | CKT   | TYPE   | POL | CKT   | TYPE   | POL | CKT   | TYPE   | POL |         |         |         |         |         |
| TBD                          | 34997-3000                   | 16    | 0.64mm | B   | 16    | 0.64mm | A   | 8     | 0.64mm | A   | 74.44   | 71.97   | 22.86   | 22.86   | 12.70   |
| TBD                          | 34997-3001                   | 12    | 0.64mm | A   | 12    | 0.64mm | B   | 16    | 0.64mm | A   | 74.44   | 71.97   | 17.78   | 17.78   | 22.86   |
| TBD                          | 34997-3002                   | 16    | 0.64mm | A   | 12    | 0.64mm | A   | 20    | 0.64mm | A   | 84.60   | 82.13   | 22.86   | 17.78   | 27.94   |
| TBD                          | 34997-3003                   | 16    | 0.64mm | A   | 20    | 0.64mm | A   | 12    | 0.64mm | A   | 84.60   | 82.13   | 22.86   | 27.94   | 17.78   |
| TBD                          | 34997-3004                   | 20    | 0.64mm | A   | 20    | 0.64mm | B   | 8     | 0.64mm | A   | 84.60   | 82.13   | 27.94   | 27.94   | 12.70   |
| TBD                          | 34997-3005                   | 10    | HYBRID | A   | 16    | 0.64mm | A   | 8     | 0.64mm | A   | 79.52   | 77.05   | 27.94   | 22.86   | 12.70   |
| TBD                          | 34997-3006                   | 12    | 0.64mm | A   | 8     | 0.64mm | B   | 16    | 0.64mm | C   | 69.36   | 66.89   | 17.78   | 12.70   | 22.86   |
| TBD                          | 34997-3007                   | 20    | 0.64mm | A   | 20    | 0.64mm | B   | 20    | 0.64mm | C   | 99.84   | 97.37   | 27.94   | 27.94   | 27.94   |
| TBD                          | 34997-3008                   | 20    | 0.64mm | D   | 16    | 0.64mm | C   | 12    | 0.64mm | C   | 84.60   | 82.13   | 27.94   | 22.86   | 17.78   |
| 34997-8009                   | 34997-3009                   | 20    | 0.64mm | C   | 20    | 0.64mm | B   | 20    | 0.64mm | A   | 99.84   | 97.37   | 27.94   | 27.94   | 27.94   |
| 34997-8010                   | 34997-3010                   | 12    | 0.64mm | C   | 16    | 0.64mm | C   | 20    | 0.64mm | D   | 84.60   | 82.13   | 17.78   | 22.86   | 27.94   |
| TBD                          | 34997-3011                   | 8     | 0.64mm | A   | 8     | 0.64mm | B   | 8     | 0.64mm | C   | 54.12   | 51.65   | 12.70   | 12.70   | 12.70   |
| TBD                          | 34997-3012                   | 14    | HYBRID | C   | 20    | 0.64mm | B   | 8     | 0.64mm | A   | 84.60   | 82.13   | 27.94   | 27.94   | 12.70   |
| TBD                          | 34997-3013                   | 10    | HYBRID | A   | 10    | HYBRID | B   | 14    | HYBRID | A   | 99.84   | 97.37   | 27.94   | 27.94   | 27.94   |
| TBD                          | 34997-3014                   | 10    | HYBRID | A   | 16    | 0.64mm | B   | 20    | 0.64mm | C   | 94.76   | 92.29   | 27.94   | 22.86   | 27.94   |
| TBD                          | 34997-3015                   | 10    | HYBRID | B   | 20    | 0.64mm | A   | 20    | 0.64mm | B   | 99.84   | 97.37   | 27.94   | 27.94   | 27.94   |
| TBD                          | 34997-3016                   | 12    | 0.64mm | A   | 20    | 0.64mm | C   | 12    | 0.64mm | B   | 79.52   | 77.05   | 17.78   | 27.94   | 17.78   |
| L10                          | TBD                          | 10    | HYBRID | B   | 20    | 0.64mm | A   | 20    | 0.64mm | D   | 99.84   | 97.37   | 27.94   | 27.94   | 27.94   |
| L10                          | TBD                          | 12    | 0.64mm | B   | 20    | 0.64mm | C   | 12    | 0.64mm | A   | 79.52   | 77.05   | 17.78   | 27.94   | 17.78   |

|  |   |                        |  |
|--|---|------------------------|--|
| FUNCTIONAL SYMBOLS                                   | THIS DRAWING CONTAINS INFORMATION THAT IS PROPRIETARY TO MOLEX ELECTRONIC TECHNOLOGIES, LLC AND SHOULD NOT BE USED WITHOUT WRITTEN PERMISSION |                        |  |
|  | DIMENSION UNITS   | SCALE                  | CURRENT REV DESC:  |
| $\nabla_A = 0$                                       | mm  | 1:1                    | EC NO: 662725<br>DRWN: CZHANG118 2021/04/28<br>CHK'D: JDENG02 2021/05/18<br>APPR: JDENG02 2021/05/18<br>INITIAL REVISION:<br>DRWN: JFISCHER01 2013/05/31<br>APPR: RBAUMAN 2013/06/04 |
| $\nabla_C = 0$                                       | GENERAL TOLERANCES (UNLESS SPECIFIED)   |                        |  |
| $\nabla_D = 0$                                       | ANGULAR TOL ± 1.0°  |                        |  |
| DIVISIONAL SYMBOLS                                   | 4 PLACES  | ±                      |  |
|  | 3 PLACES  | ±                      |  |
|  | 2 PLACES  | ± 0.13                 |  |
|  | 1 PLACE   | ± 0.25                 |  |
|  | 0 PLACES  | ±                      |  |
| DRAFT WHERE APPLICABLE MUST REMAIN WITHIN DIMENSIONS |   | THIRD ANGLE PROJECTION | DRAWING  |
|  |   |                        | D-SIZE   |
|  |   | SERIES                 | MATERIAL NUMBER  |
|  |   | 34997                  | CUSTOMER   |
|  |   |                        | GENERAL MARKET   |
|  |   | DOCUMENT NUMBER        | DOC TYPE   |
|  |   | SD-34997-300           | PSD  |
|  |   | DOC PART               | REVISION   |
|  |   | 001                    | L10  |
|  |   | SHEET NUMBER           |  |
|  |   |                        | 2 OF 5   |

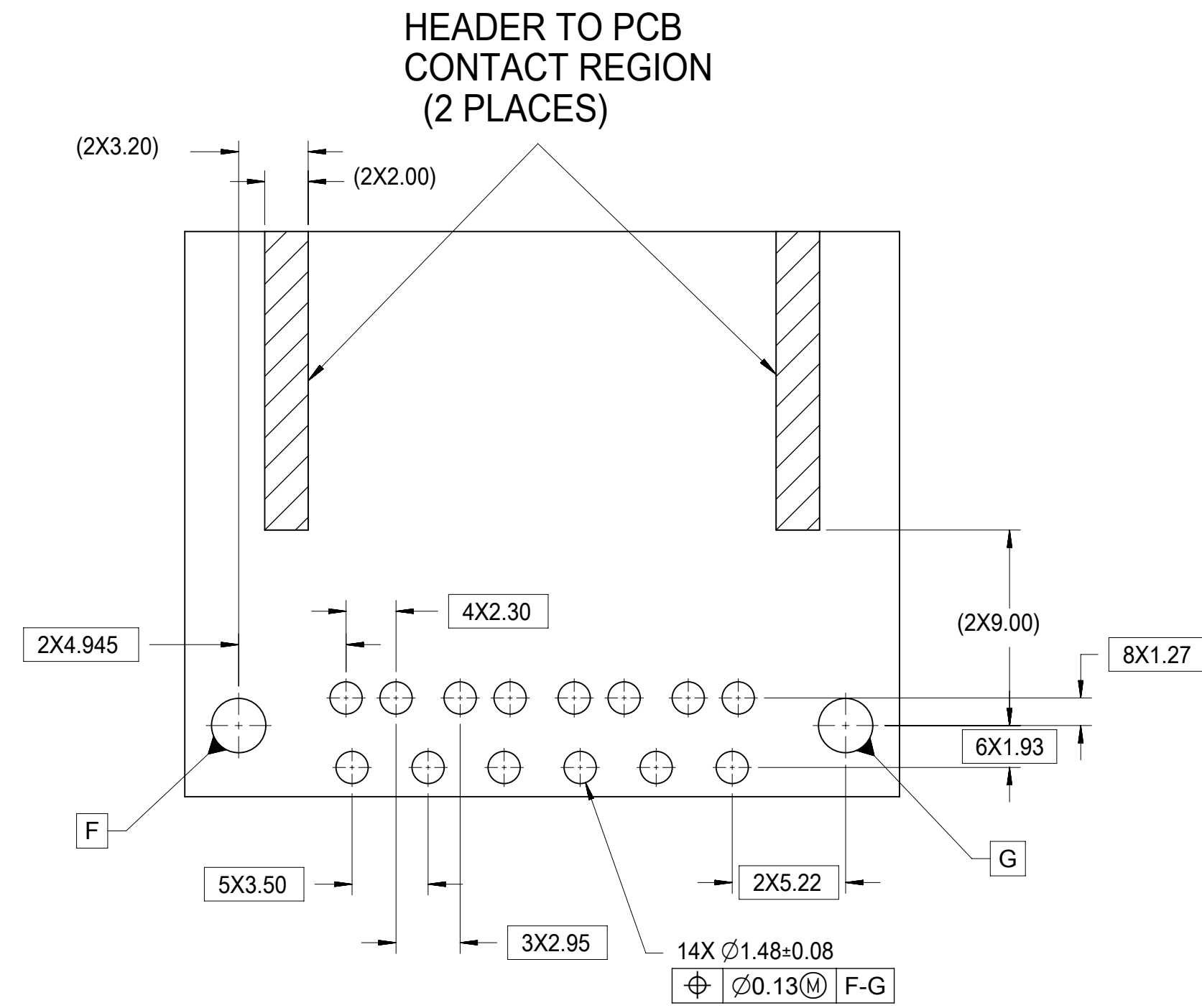




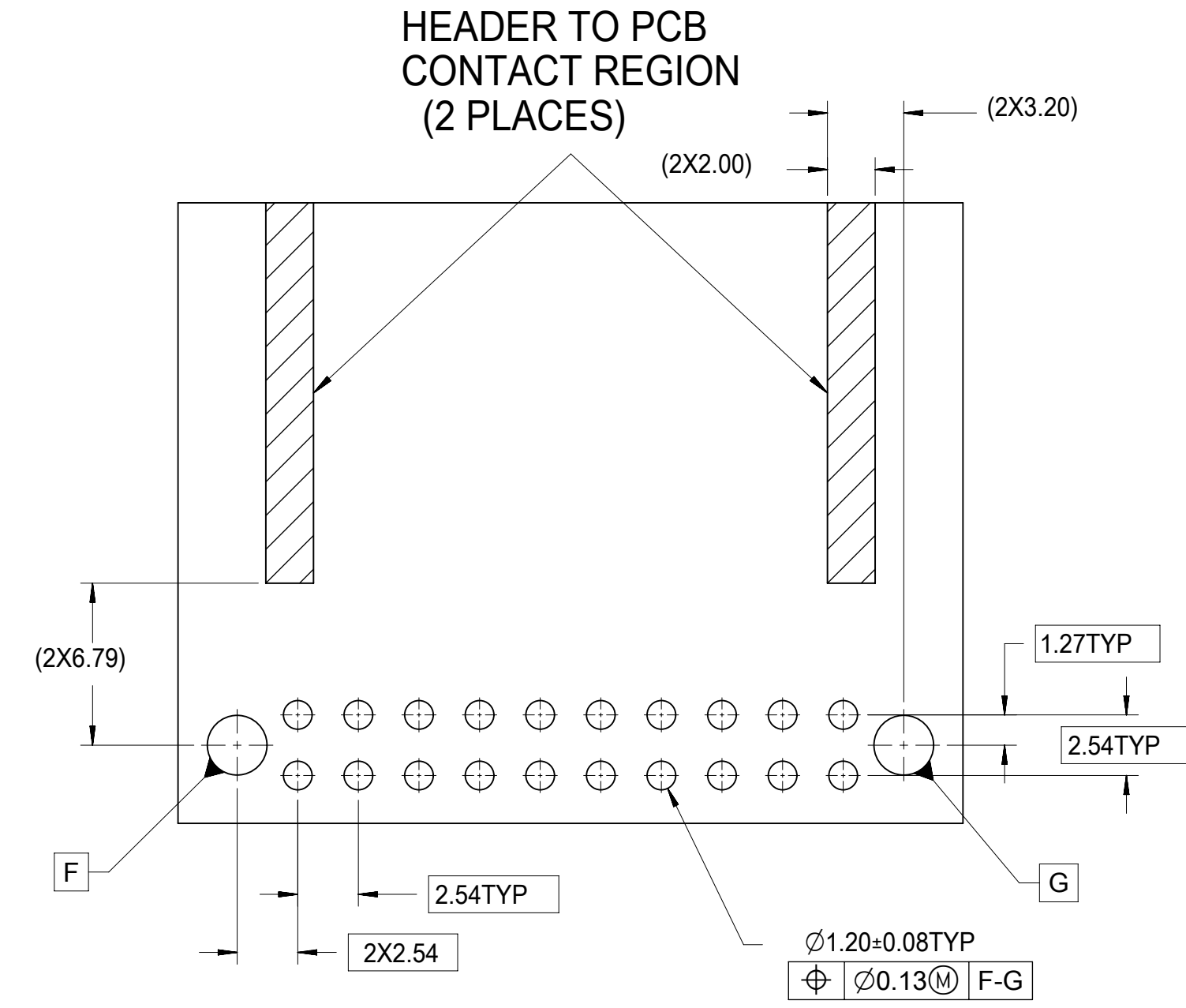


|                   |  |
|-------------------|--|
| TABLE OF CONTENTS |  |
| 5                 | RECOMMENDED SINGLE PCB LAYOUT FOR 10CKT HYBRID, 14CKT HYBRID, AND 8-20CKT 0.64MM |

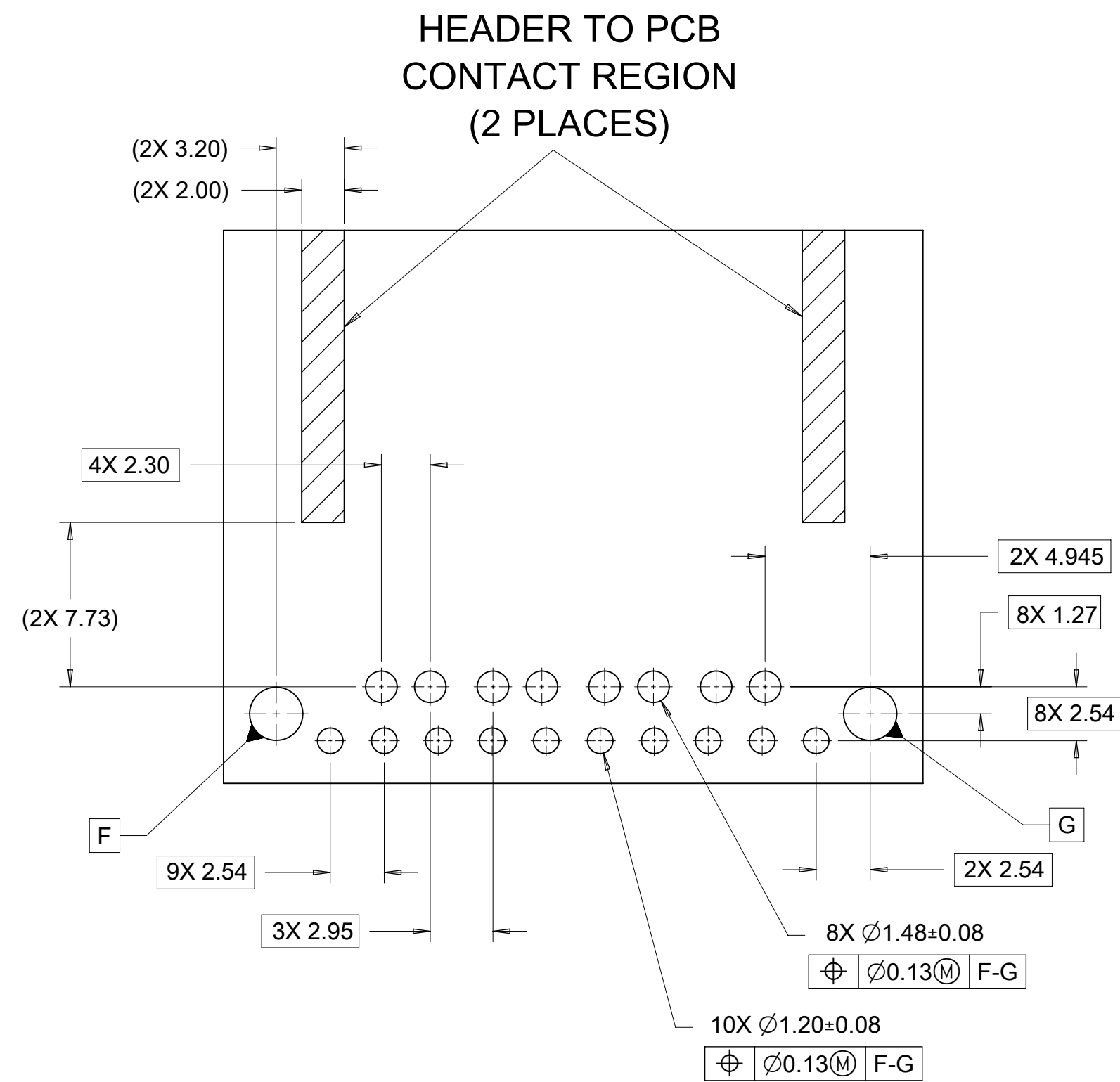
### 10 CKT HYBRID TEMPLATE PCB LAYOUT



### 8-20CKT 0.64mm TEMPLATE PCB LAYOUT

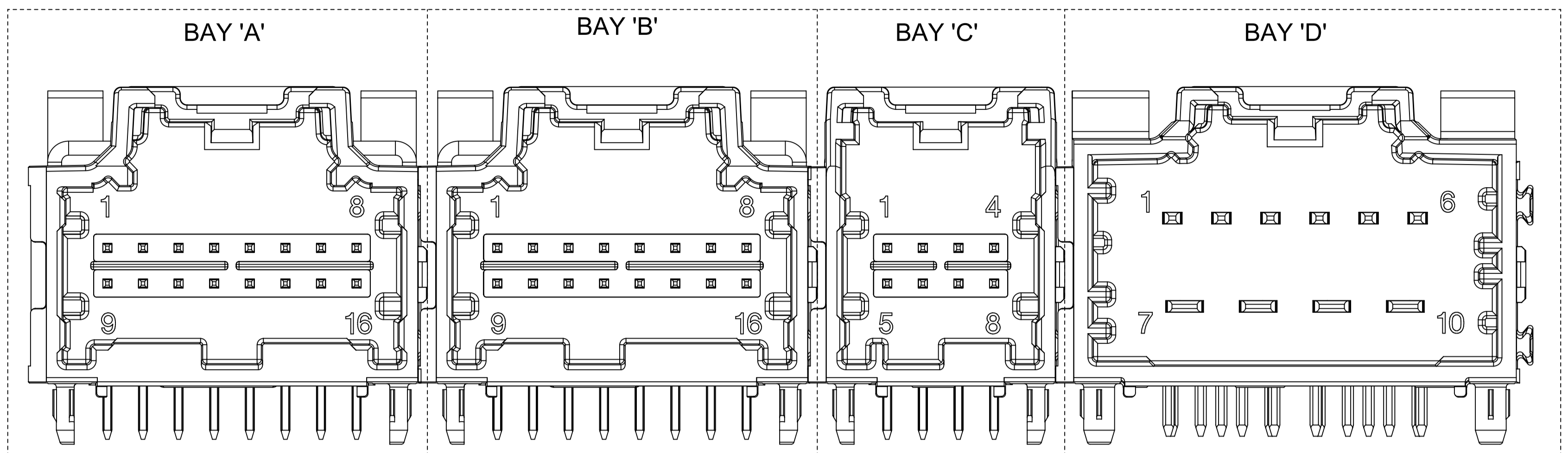


### 14 CKT HYBRID TEMPLATE PCB LAYOUT



|         |   |       |  |
|---------|---|-------|--|
| SYMBOLS | THIS DRAWING CONTAINS INFORMATION THAT IS PROPRIETARY TO MOLEX ELECTRONIC TECHNOLOGIES, LLC AND SHOULD NOT BE USED WITHOUT WRITTEN PERMISSION |       |  |
|         | DIMENSION UNITS   | SCALE | CURRENT REV DESC:  |
| ▽ = 0   | mm  | 4:1   | <b>molex</b><br>STAC64 3-BAY PAP R/A<br>LONG PIN HEADER ASSEMBLY SALES DRAWING<br>PRODUCT CUSTOMER DRAWING |
| ▽ = 0   | GENERAL TOLERANCES (UNLESS SPECIFIED)   |       |  |
| ▽ = 0   | ANGULAR TOL ± 1.0°  |       | EC NO: 662725<br>DRWN: CZHANG118 2021/04/28<br>CHK'D: JDENG02 2021/05/18<br>APPR: JDENG02 2021/05/18       |
| ▽ = 0   | 4 PLACES ±  |       | INITIAL REVISION:<br>DRWN: JFISCHER01 2013/05/31<br>APPR: RBAUMAN 2013/06/04                               |
| ▽ = 0   | 3 PLACES ±  |       |  |
| ▽ = 0   | 2 PLACES ± 0.13   |       | DOCUMENT NUMBER: <b>SD-34997-300</b><br>DOC TYPE: PSD<br>DOC PART: 001<br>REVISION: L10                    |
| ▽ = 0   | 1 PLACE ± 0.25  |       | MATERIAL NUMBER: SEE CHART<br>CUSTOMER: GENERAL MARKET<br>SHEET NUMBER: 5 OF 5                             |
| ▽ = 0   | 0 PLACES ±  |       |  |
| ▽ = 0   | DRAFT WHERE APPLICABLE MUST REMAIN WITHIN DIMENSIONS  |       | THIRD ANGLE PROJECTION<br>DRAWING: D-SIZE<br>SERIES: 34997   |

4 BAY STAC64 RIGHT ANGLE PAP HEADER ASSEMBLY  
(P/N: 34997-4000 SHOWN)



NOTES: VALID UNLESS OTHERWISE SPECIFIED

1. GENERAL:

- a. CONNECTOR HEADER MUST BE VALIDATED TO THE FOLLOWING FUNCTIONAL REQUIREMENTS:  
 PRODUCTS SPECIFICATION:  
 8-20 CKT 0.64 PRODUCT SPEC: PS-34729-020/PS-31408-100  
 10/14CKT CKT HYBRID PRODUCT SPEC: PS-31372-100
- b. APPLICATION REQUIREMENTS (REFERENCE ONLY):  
 APPLICATION SPECIFICATION: AS-34729-020/AS-31408-100
- c. PACKAGING SPECIFICATION PER MOLEX DRAWING PK-31300-892 (TRAY)
- d. PACKAGING SPECIFICATION PER MOLEX DRAWING PK-31301-063 (TUBE)

2. DESIGN: MATERIALS


- a. SHROUD (PLASTIC HOUSING)  
 RESIN - SPS 30%GF
- b. 0.64mm PINS:  
 BASE MATERIAL: C26000  
 PLATING TYPE: AS NOTED
- 1.50mm/2.80mm BLADES:  
 BASE MATERIAL: C19400  
 PLATING TYPE: AS NOTED

3. PLATING REQUIREMENTS:

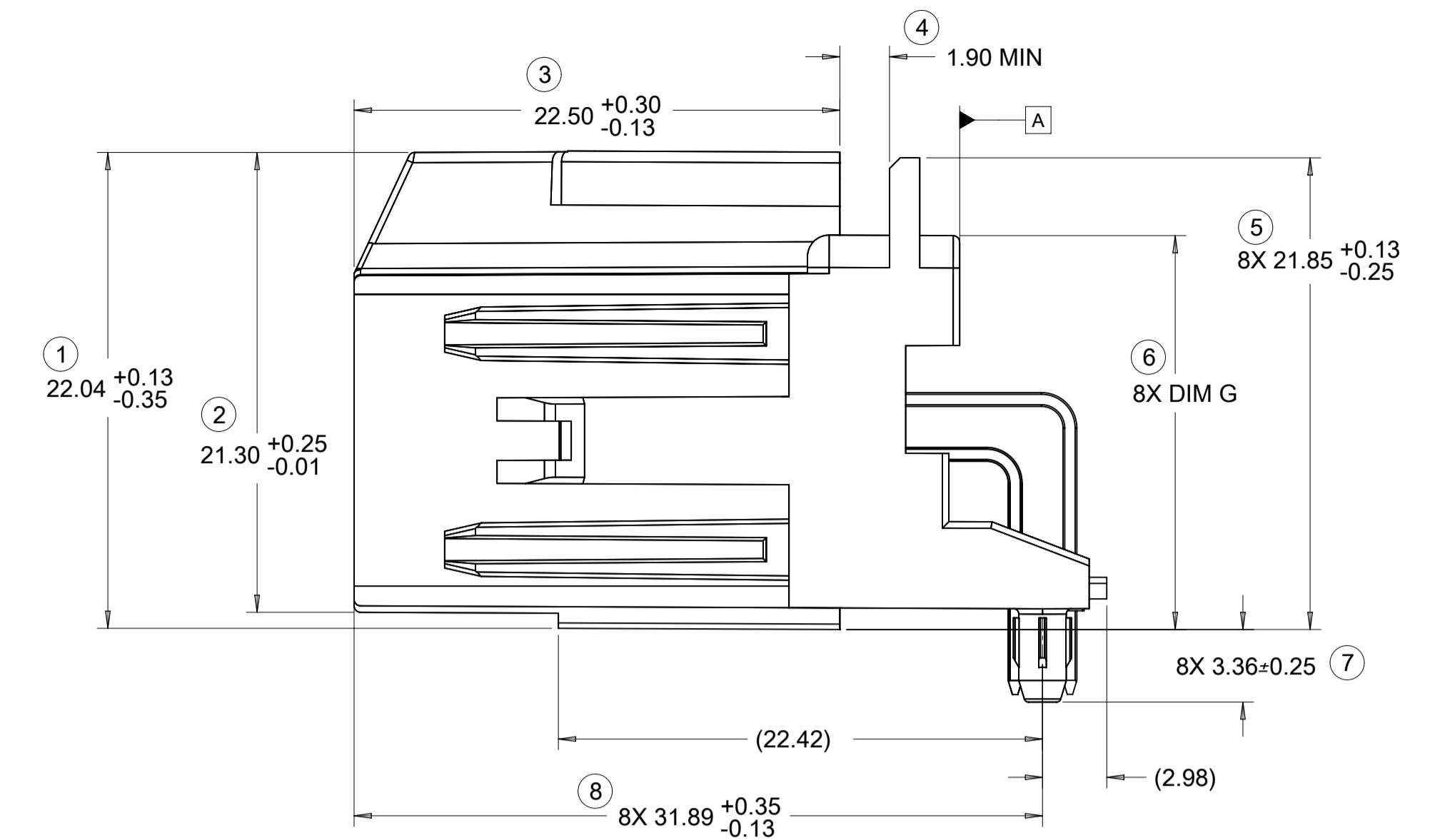
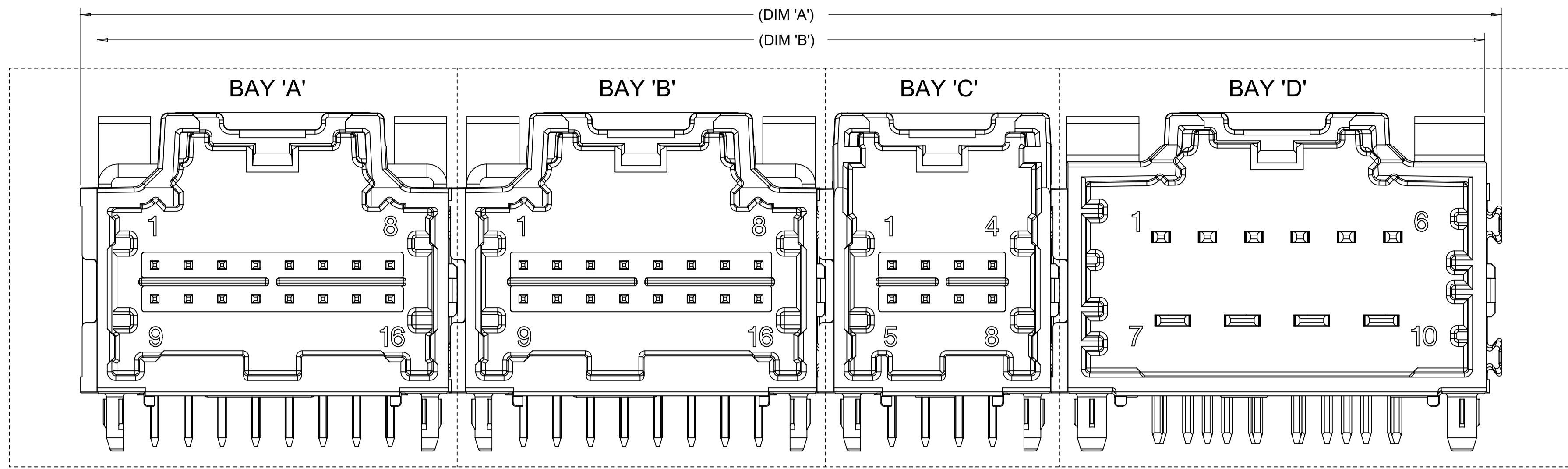
- a. UNDERPLATING - OVERALL NICKEL
- b. OVERPLATING - OVERALL TIN

- 4. FOR DESCRIPTION OF INDIVIDUAL BAYS, REFER TO THE FOLLOWING SINGLE BAY DRAWINGS:  
 8-20 CKT 0.64: SD-34691-601  
 10CKT HYBRID: SD-34696-100  
 14CKT HYBRID: SD-34773-010

- 5.  DENOTES DIMENSIONS THAT MAY BE QUALIFIED WITH A GAUGE.

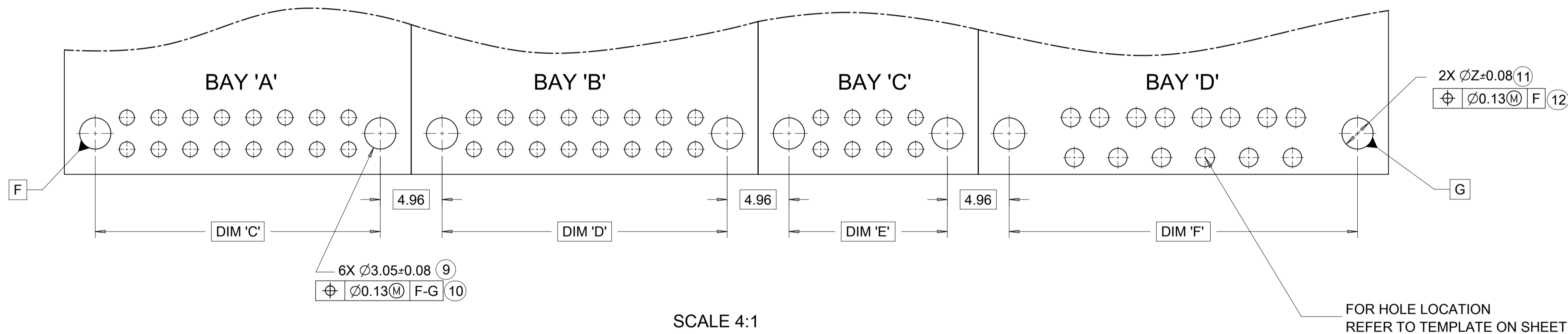
|  |   |              |                |                        |                                       |                          |                 |   |          |              |  |
|--|---|--------------|----------------|------------------------|---------------------------------------|--------------------------|-----------------|---|----------|--------------|--|
| QUALITY SYMBOLS<br>FA = 0<br>FE = 0<br>FE = 0<br>▼ = 0<br>C = 0<br>☒ = 0<br>■ = 0<br>▽ = 0 | THIS DRAWING CONTAINS INFORMATION THAT IS PROPRIETARY TO MOLEX ELECTRONIC TECHNOLOGIES, LLC AND SHOULD NOT BE USED WITHOUT WRITTEN PERMISSION |              |                |                        |                                       |                          |                 |   |          |              |  |
|  | EC NO: 612618<br>DRWN: SHANDITHAVAL<br>CHKD: RBAUMAN<br>APPR: RBAUMAN   | 2019/02/22   | 2019/02/23     | 2019/02/23             | GENERAL TOLERANCES (UNLESS SPECIFIED) | DIMENSION UNITS          | SCALE           | <br>STAC64 4-BAY PAP R/A<br>LONG PIN HEADER ASSEMBLY SALES DRAWING |          |              |  |
|  |   | mm           | 4:1            | ANGULAR TOL ± 1.0 °    | DRWN BY                               | DATE                     |                 |   |          |              |  |
|  |   | 4 PLACES ±   | JFISCHER01     | 2013/05/31             | 3 PLACES ±                            | CHK'D BY                 | DATE            |   |          |              |  |
| 2 PLACES ± 0.13  | RBAUMAN   | 2013/06/04   | 1 PLACE ± 0.25 | APPR BY                | DATE                                  | PRODUCT CUSTOMER DRAWING |                 |   |          |              |  |
| 0 PLACES ±   | DRAFT WHERE APPLICABLE MUST REMAIN WITHIN DIMENSIONS  |              | A1             | THIRD ANGLE PROJECTION |                                       | SERIES                   | MATERIAL NUMBER | CUSTOMER  |          |              |  |
|  | C8  | 34997        | SEE CHART      | GENERAL MARKET         |                                       |                          | DOCUMENT NUMBER | DOC TYPE  | DOC PART | SHEET NUMBER |  |
|  |   | SD-34997-400 | PSD            | 001                    | 1 OF 5                                |                          |                 |   |          |              |  |





| FOR DIM G:      |           |
|-----------------|-----------|
| 8-20CKT 0.64mm  | 18.40 MAX |
| 10/14CKT Hybrid | 18.59 MAX |

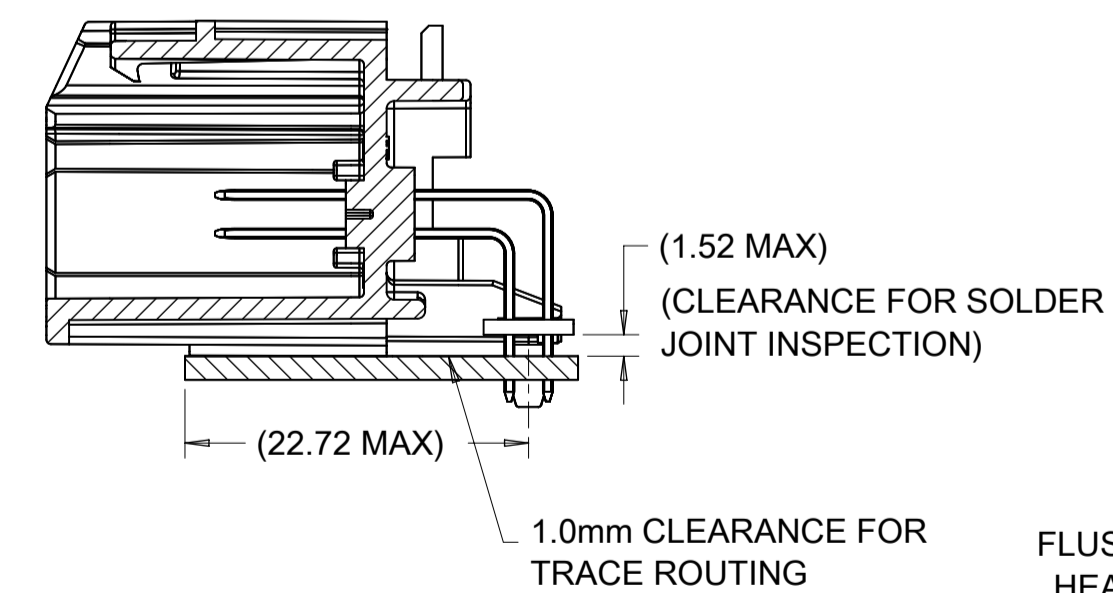
**RECOMMENDED PCB LAYOUT**  
INSERT NECESSARY BAYS USING CHART ON SHEET 2



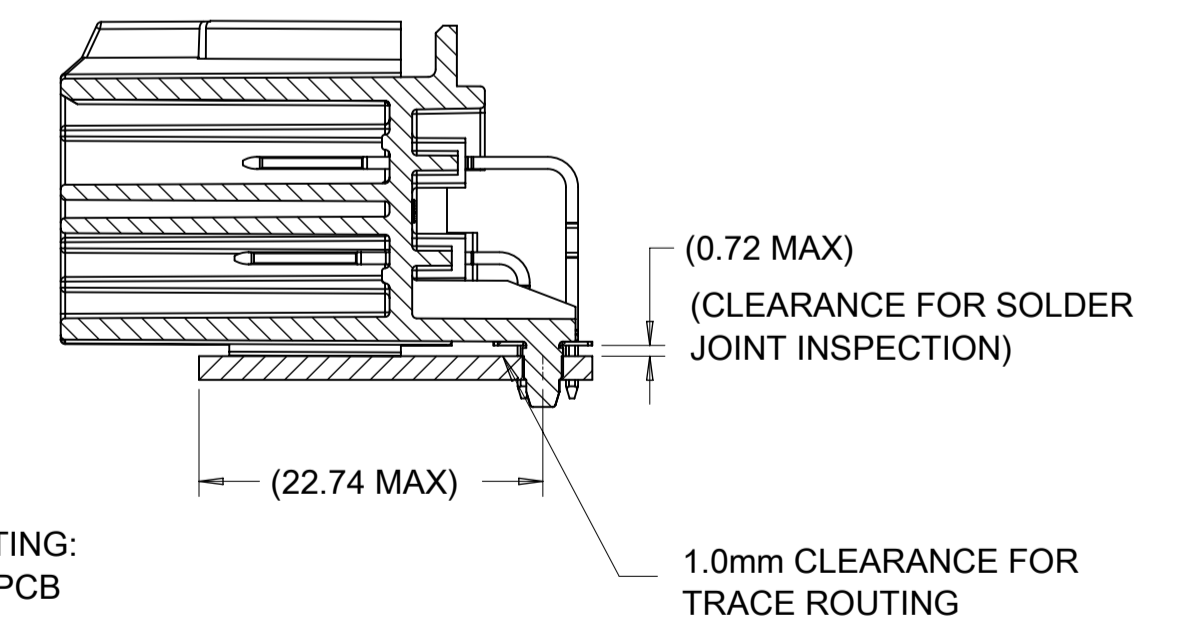
**POST HOLE TABLE:**

| FOR DIM Z: |      |
|------------|------|
| PRESS FIT: | 2.60 |
| DROP IN:   | 3.05 |

**8-20CKT 0.64mm**

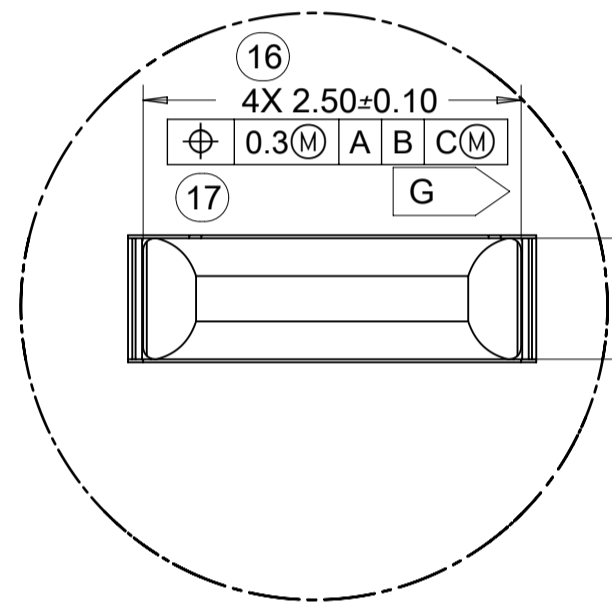
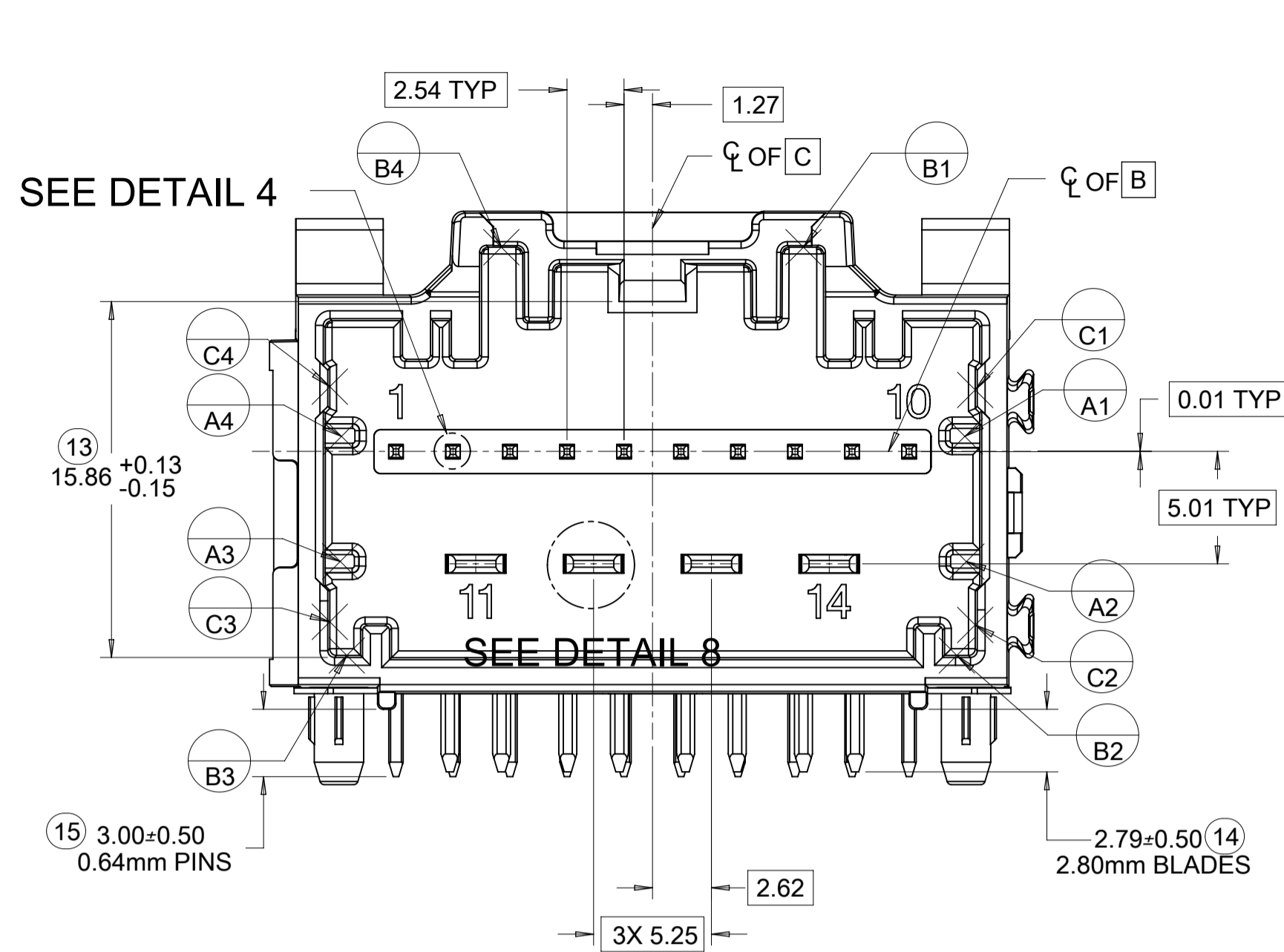


**10/14CKT HYBRID**

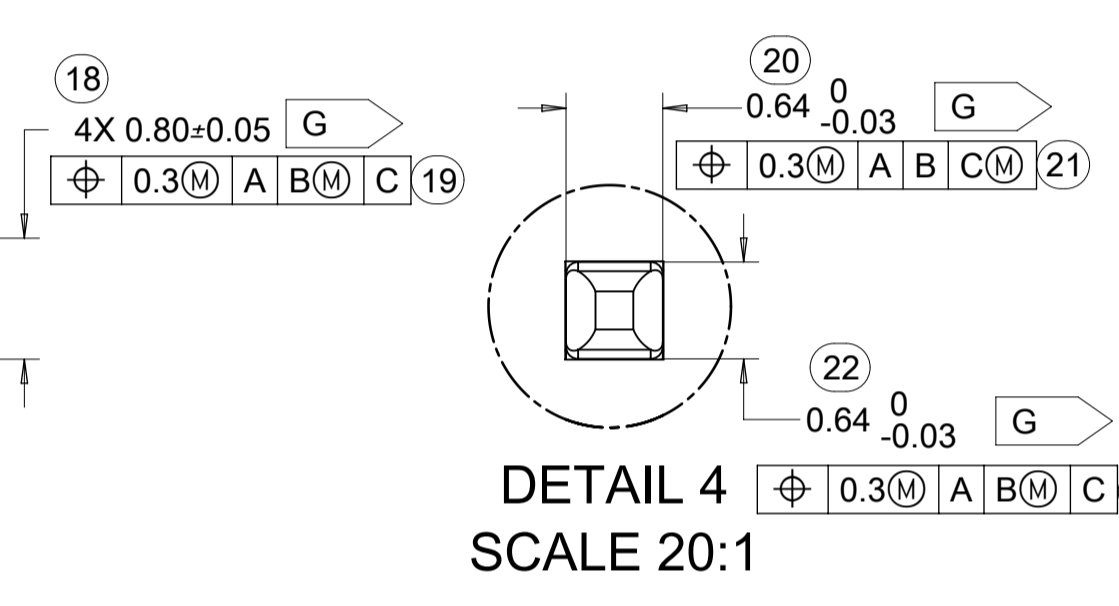


|   |   |  |   |  |  |
|---|---|--|---|--|--|
| <b>QUALITY SYMBOLS</b><br>F <sub>A</sub> = 0<br>F <sub>E</sub> = 0<br>F <sub>E</sub> = 0<br>▽ = 0<br>C = 0<br>☒ = 0<br>■ = 0<br>▽ = 0 | THIS DRAWING CONTAINS INFORMATION THAT IS PROPRIETARY TO MOLEX ELECTRONIC TECHNOLOGIES, LLC AND SHOULD NOT BE USED WITHOUT WRITTEN PERMISSION |  |   |  | <b>molex</b><br>STAC64 4-BAY PAP R/A<br>LONG PIN HEADER ASSEMBLY SALES DRAWING<br>PRODUCT CUSTOMER DRAWING |
|   | EC NO: 612618<br>DRWN: SHANDITHAVAL<br>CHKD: RBAUMAN<br>REV APPR: RBAUMAN   | 2019/02/22<br>2019/02/23<br>2019/02/23 | GENERAL TOLERANCES (UNLESS SPECIFIED)<br>ANGULAR TOL ± 1.0 °<br>4 PLACES ±<br>3 PLACES ±<br>2 PLACES ± 0.13<br>1 PLACE ± 0.25<br>0 PLACES ±<br>DRAFT WHERE APPLICABLE MUST REMAIN WITHIN DIMENSIONS | DIMENSION UNITS: mm<br>SCALE: 4:1<br>DRWN BY: JFISCHER01<br>DATE: 2013/05/31<br>CHK'D BY: [blank]<br>DATE: [blank]<br>APPR BY: RBAUMAN<br>DATE: 2013/06/04 |  |
| RELEASE STATUS: P1<br>RELEASE DATE: 2019/02/23 23:33:07   | DOCUMENT NUMBER: SD-34997-400<br>DOC TYPE: PSD<br>DOC PART: 001<br>SHEET NUMBER: 3 OF 5   |  |   |  |  |

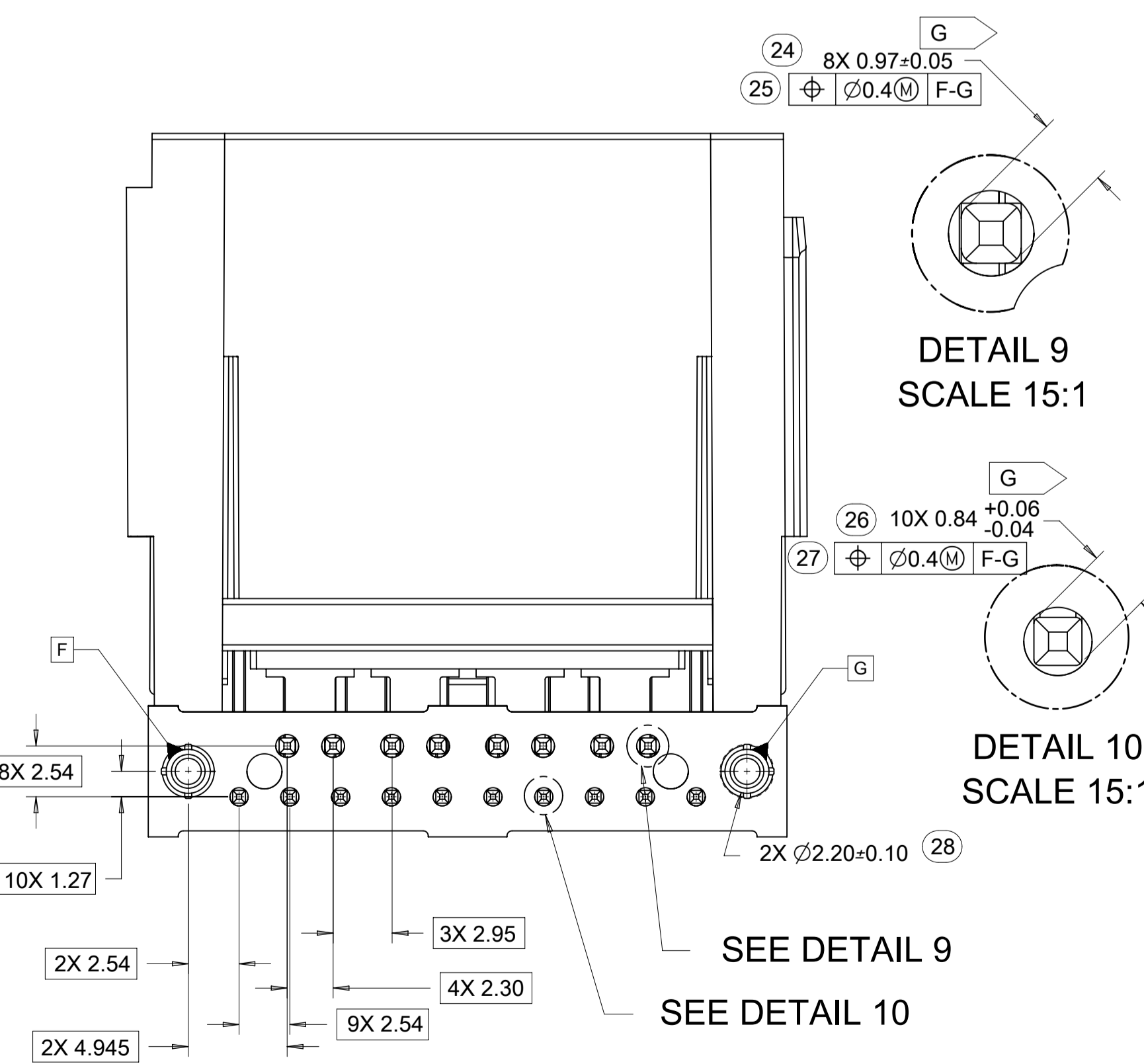
# 14 CKT STAC HYBRID HEADER DETAILS



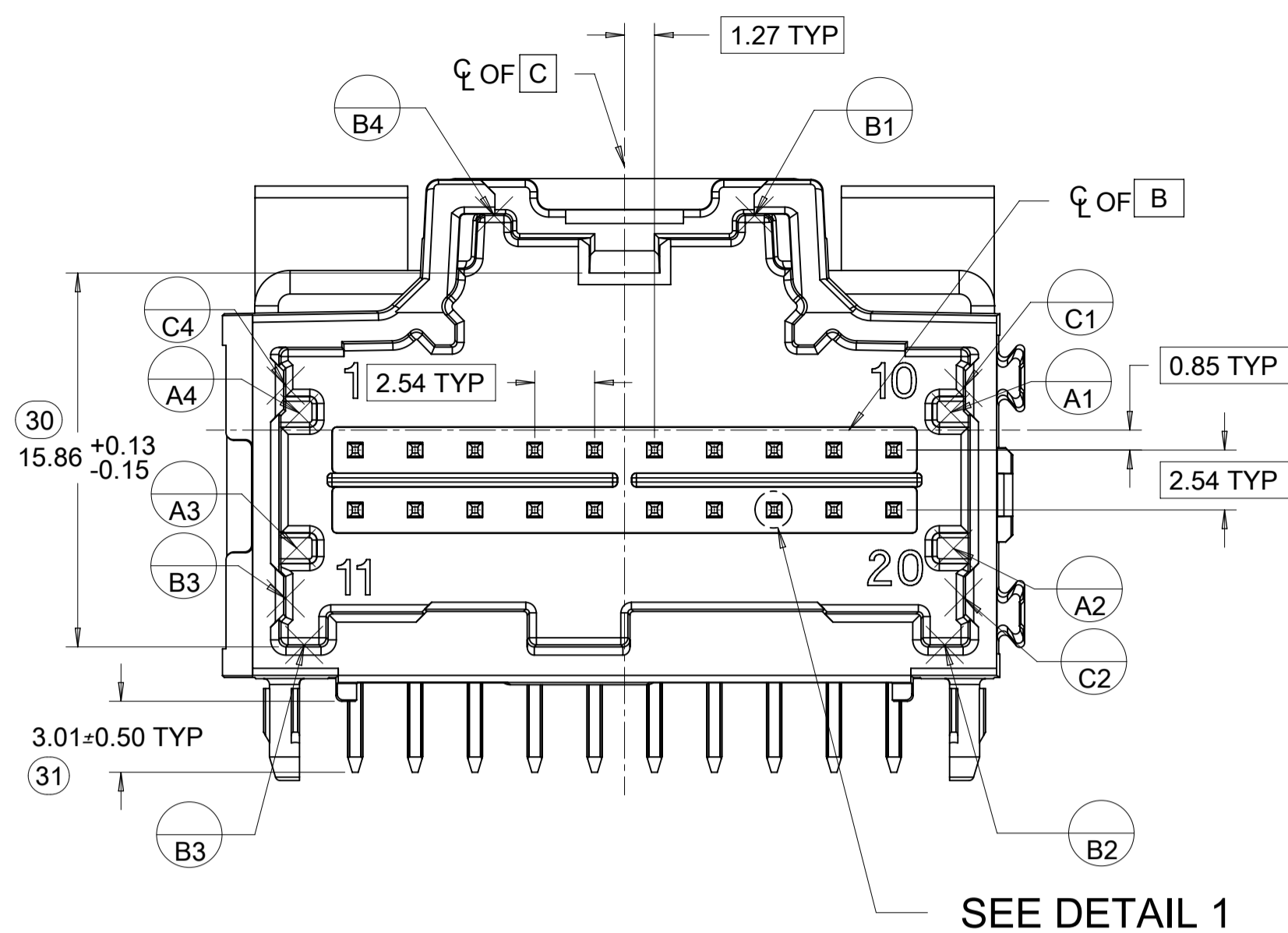
DETAIL 8 SCALE 20:1



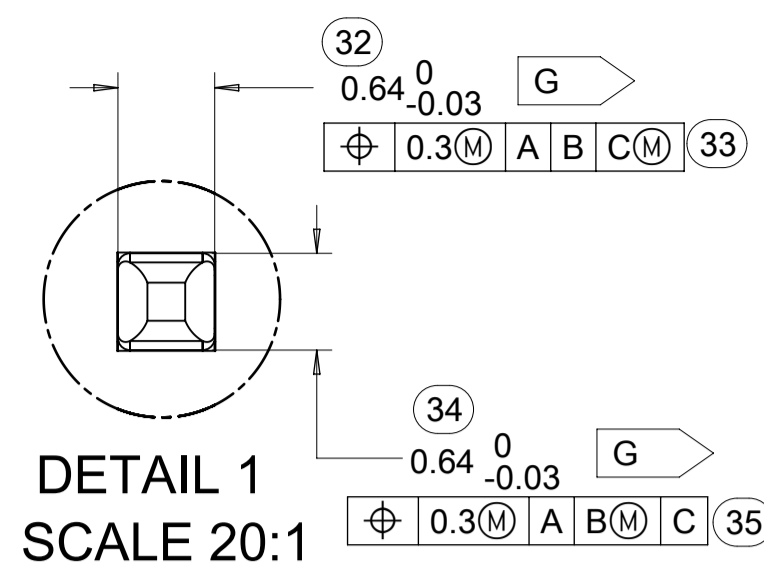
DETAIL 4 SCALE 20:1



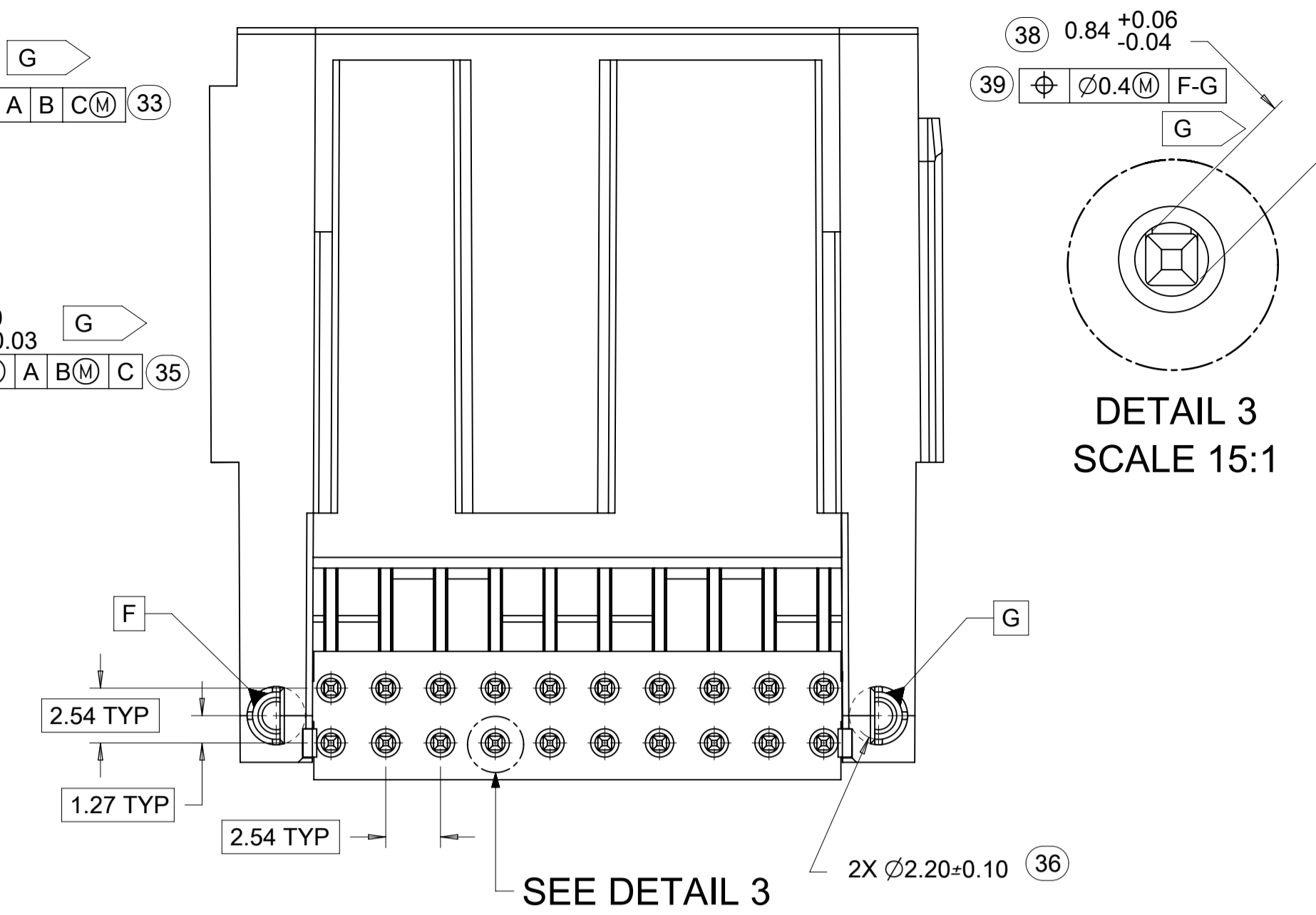
DETAIL 10 SCALE 15:1



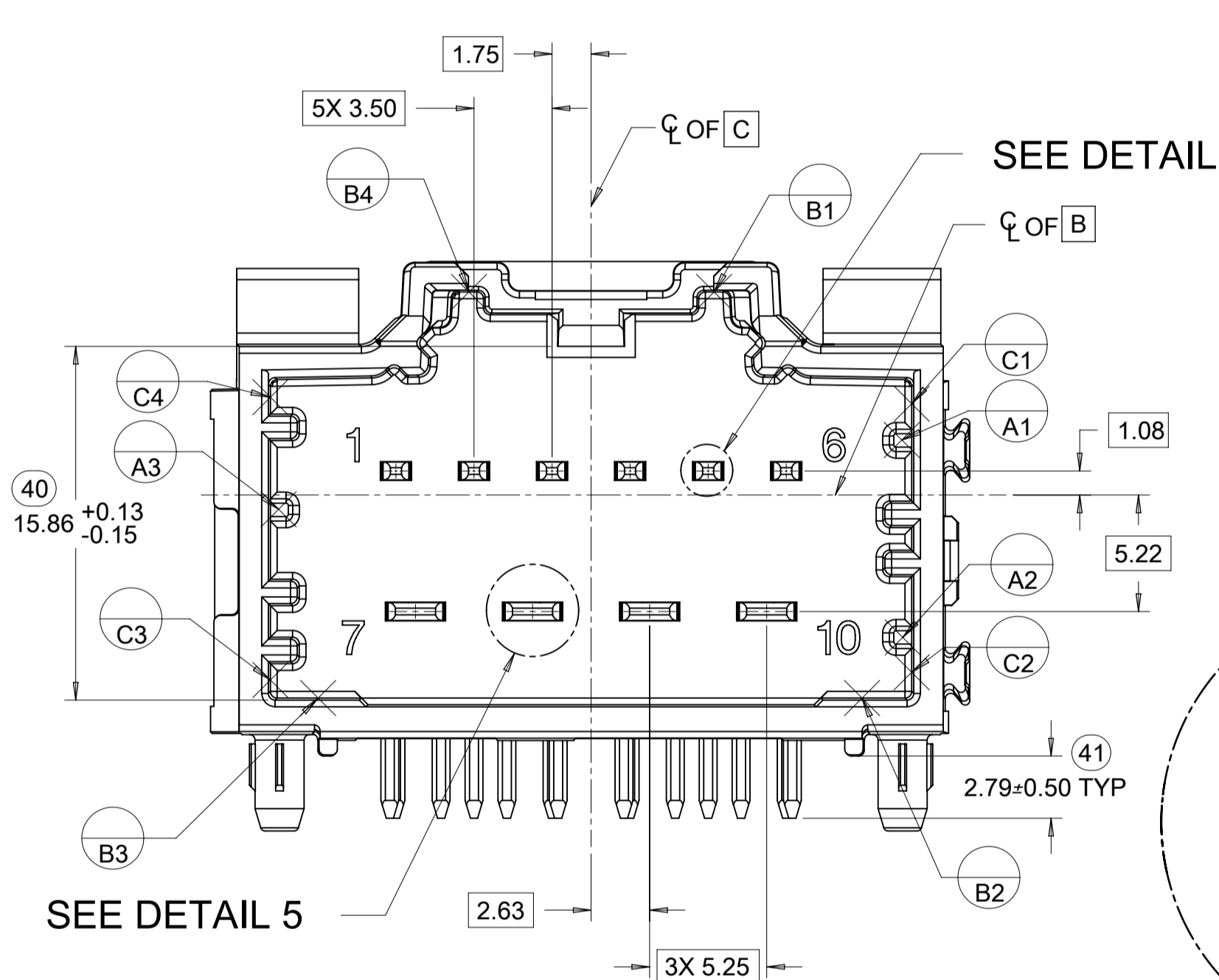
SEE DETAIL 1



DETAIL 1 SCALE 20:1

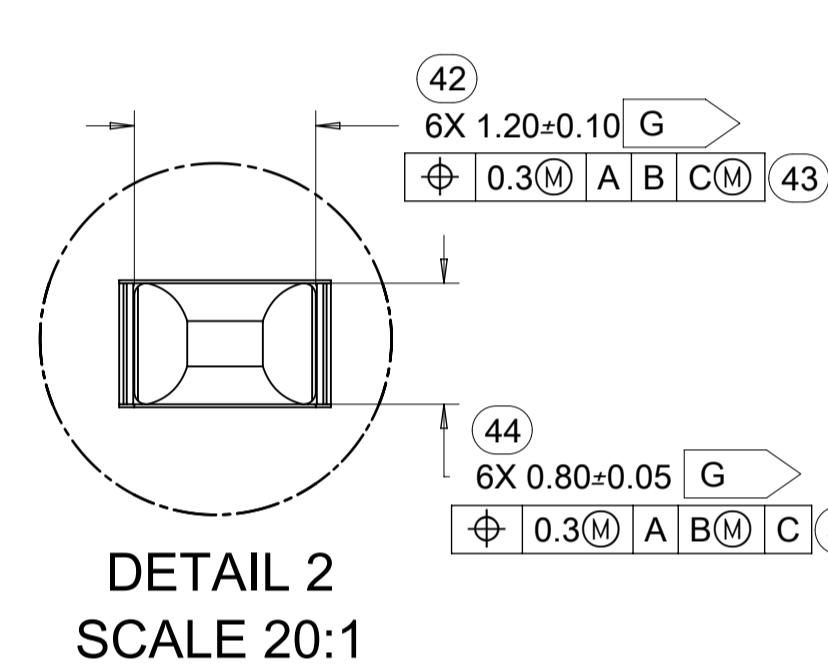


DETAIL 3 SCALE 15:1

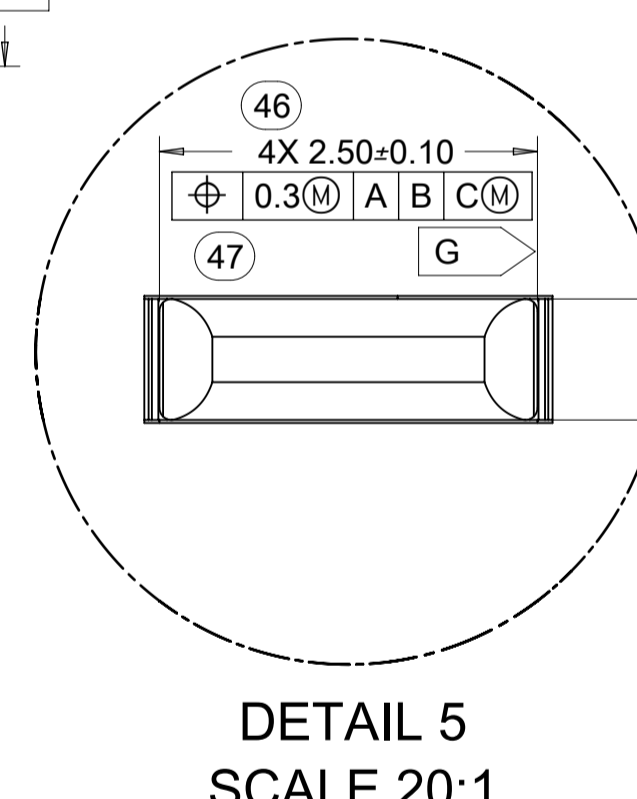


SEE DETAIL 5

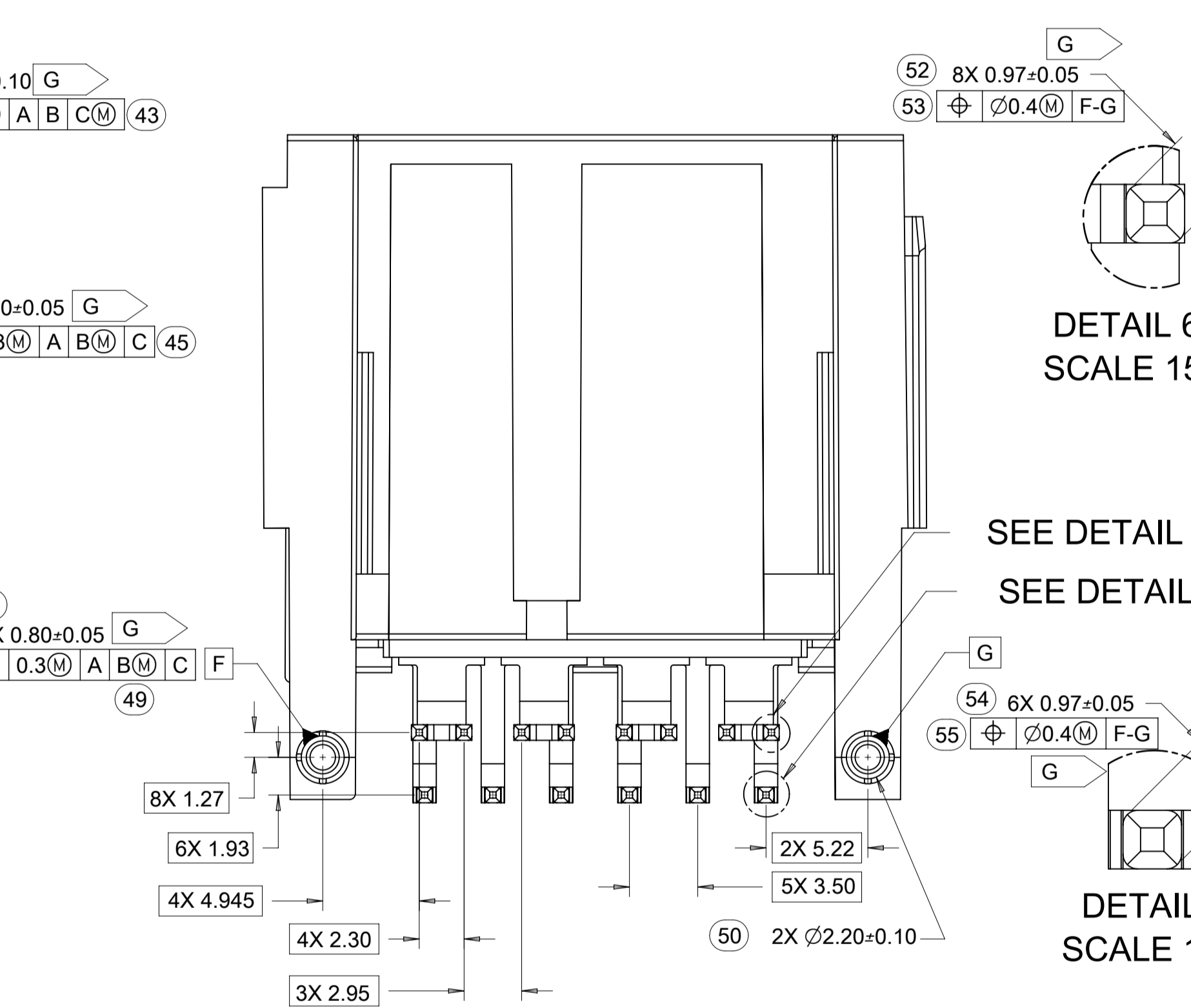
SEE DETAIL 2



DETAIL 2 SCALE 20:1



DETAIL 5 SCALE 20:1

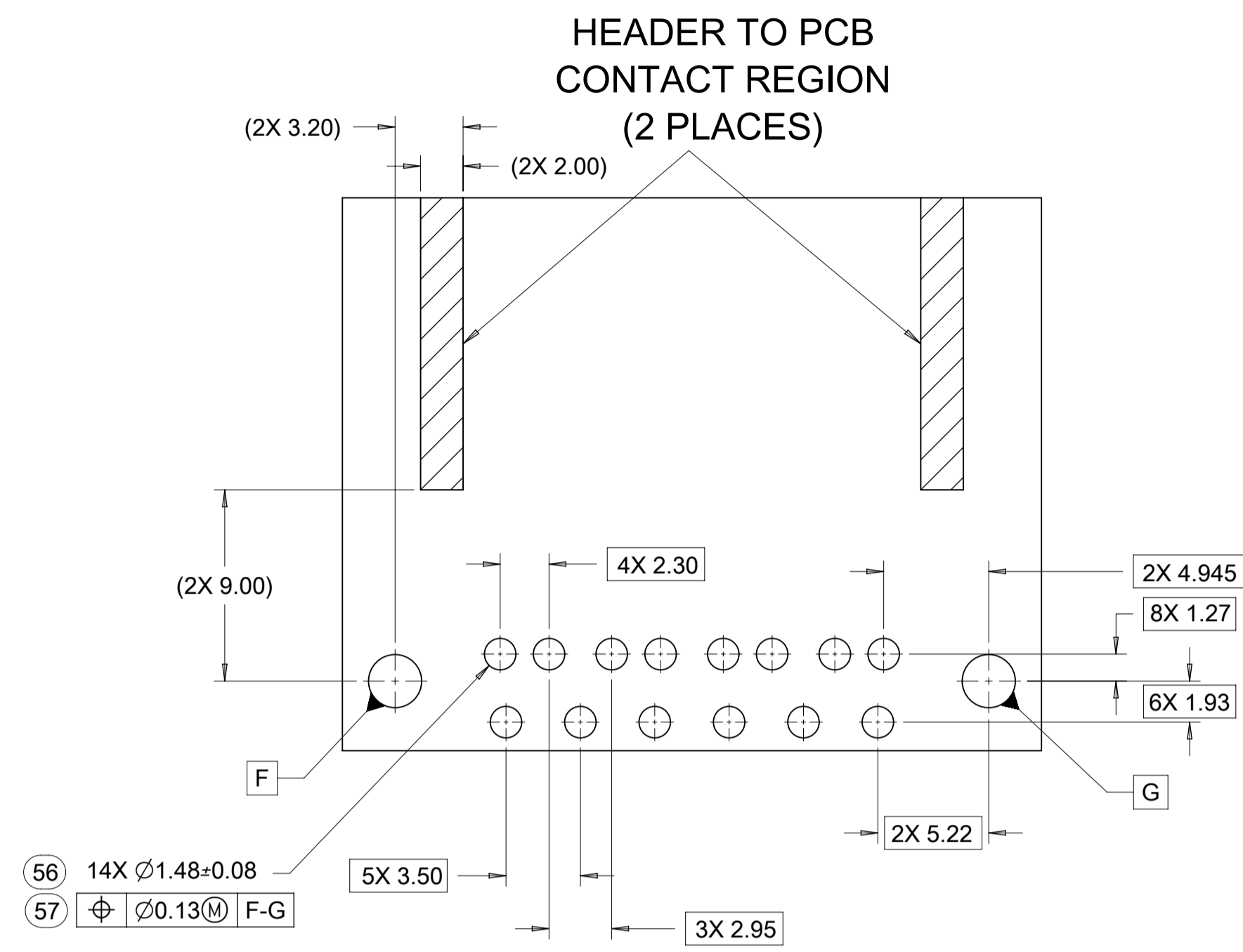


DETAIL 6 SCALE 15:1

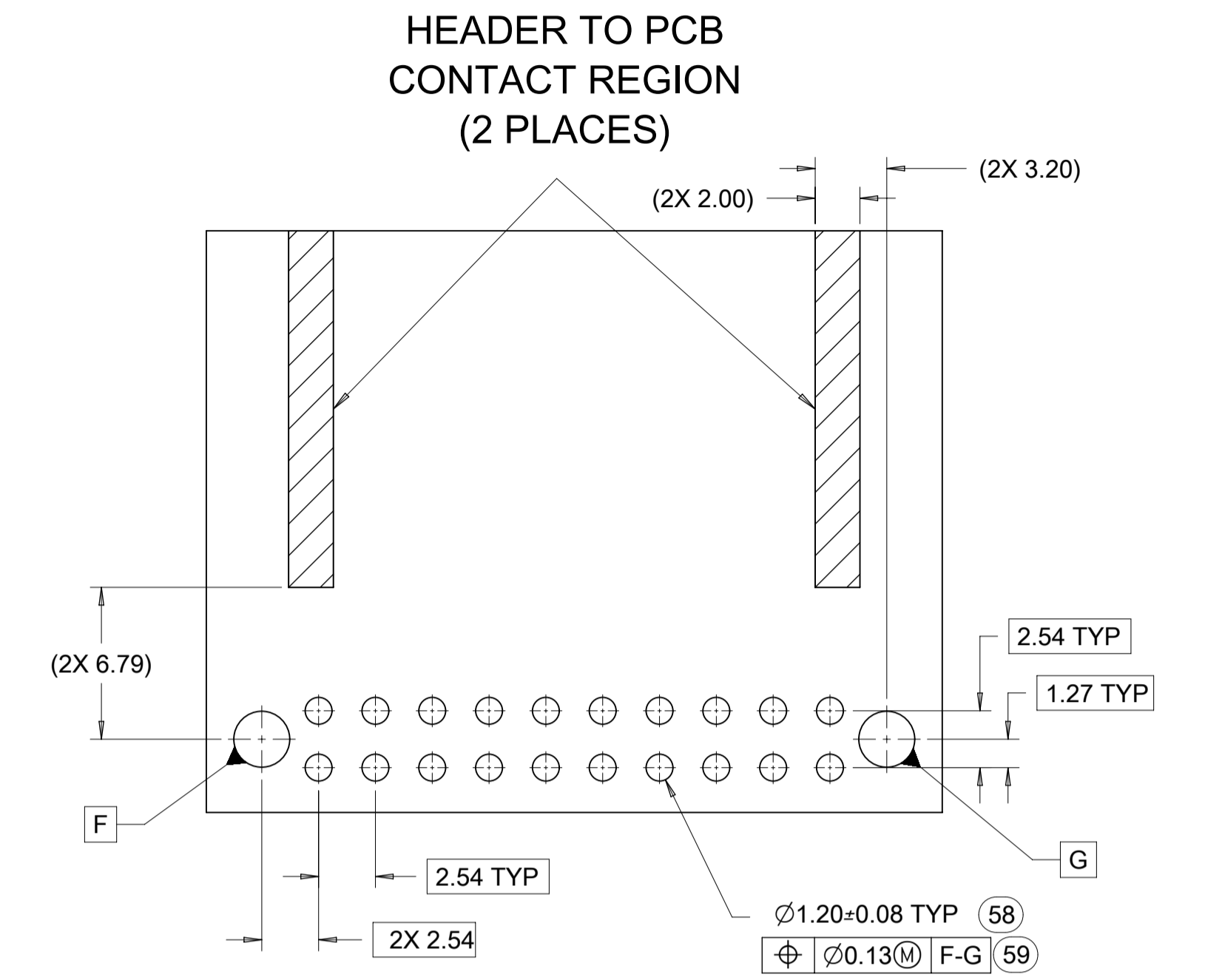
DETAIL 7 SCALE 15:1

|                 |                    |   |                 |                        |  |                 |                         |
|-----------------|--------------------|---|-----------------|------------------------|--|-----------------|-------------------------|
| QUALITY SYMBOLS |                    | THIS DRAWING CONTAINS INFORMATION THAT IS PROPRIETARY TO MOLEX ELECTRONIC TECHNOLOGIES, LLC AND SHOULD NOT BE USED WITHOUT WRITTEN PERMISSION |                 |                        |  |                 |                         |
| $\nabla$ = 0    | 2019/02/22         | GENERAL TOLERANCES (UNLESS SPECIFIED)   | DIMENSION UNITS | SCALE                  | <p>STAC64 4-BAY PAP R/A<br/>LONG PIN HEADER ASSEMBLY SALES DRAWING</p> <p>PRODUCT CUSTOMER DRAWING</p> |                 |                         |
| $\nabla$ = 0    | 2019/02/23         | ANGULAR TOL $\pm$ 1.0 °   | mm              | 4:1                    |  |                 |                         |
| $\nabla$ = 0    | DRWN: SHANDITHAVAL | 4 PLACES $\pm$  | DRWN BY         | DATE                   |  |                 |                         |
| $\nabla$ = 0    | CHKD: RBAUMAN      | 3 PLACES $\pm$  | JFISCHER01      | 2013/05/31             |  |                 |                         |
| $\nabla$ = 0    | REV APPR: RBAUMAN  | 2 PLACES $\pm$ 0.13   | CHK'D BY        | DATE                   |  |                 |                         |
| $\nabla$ = 0    | EC NO: 612618      | 1 PLACE $\pm$ 0.25  | RBAUMAN         | 2013/06/04             |  |                 |                         |
| $\nabla$ = 0    | DRWN: SHANDITHAVAL | 0 PLACES $\pm$  | APPR BY         | DATE                   |  |                 |                         |
| $\nabla$ = 0    | CHKD: RBAUMAN      | DRAFT WHERE APPLICABLE MUST REMAIN WITHIN DIMENSIONS  | DRAWING SIZE    | THIRD ANGLE PROJECTION |  |                 |                         |
| $\nabla$ = 0    | REV APPR: RBAUMAN  |   | A1              |                        |  |                 |                         |
| RELEASE STATUS  | P1                 | RELEASE DATE  | 2019/02/23      | 23:33:07               | SERIES   | MATERIAL NUMBER | CUSTOMER                |
|                 |                    |   |                 |                        | 34997  | SEE CHART       | GENERAL MARKET          |
|                 |                    |   |                 |                        | DOCUMENT NUMBER  | DOC TYPE        | DOC PART   SHEET NUMBER |
|                 |                    |   |                 |                        | SD-34997-400   | PSD             | 001   4 OF 5            |

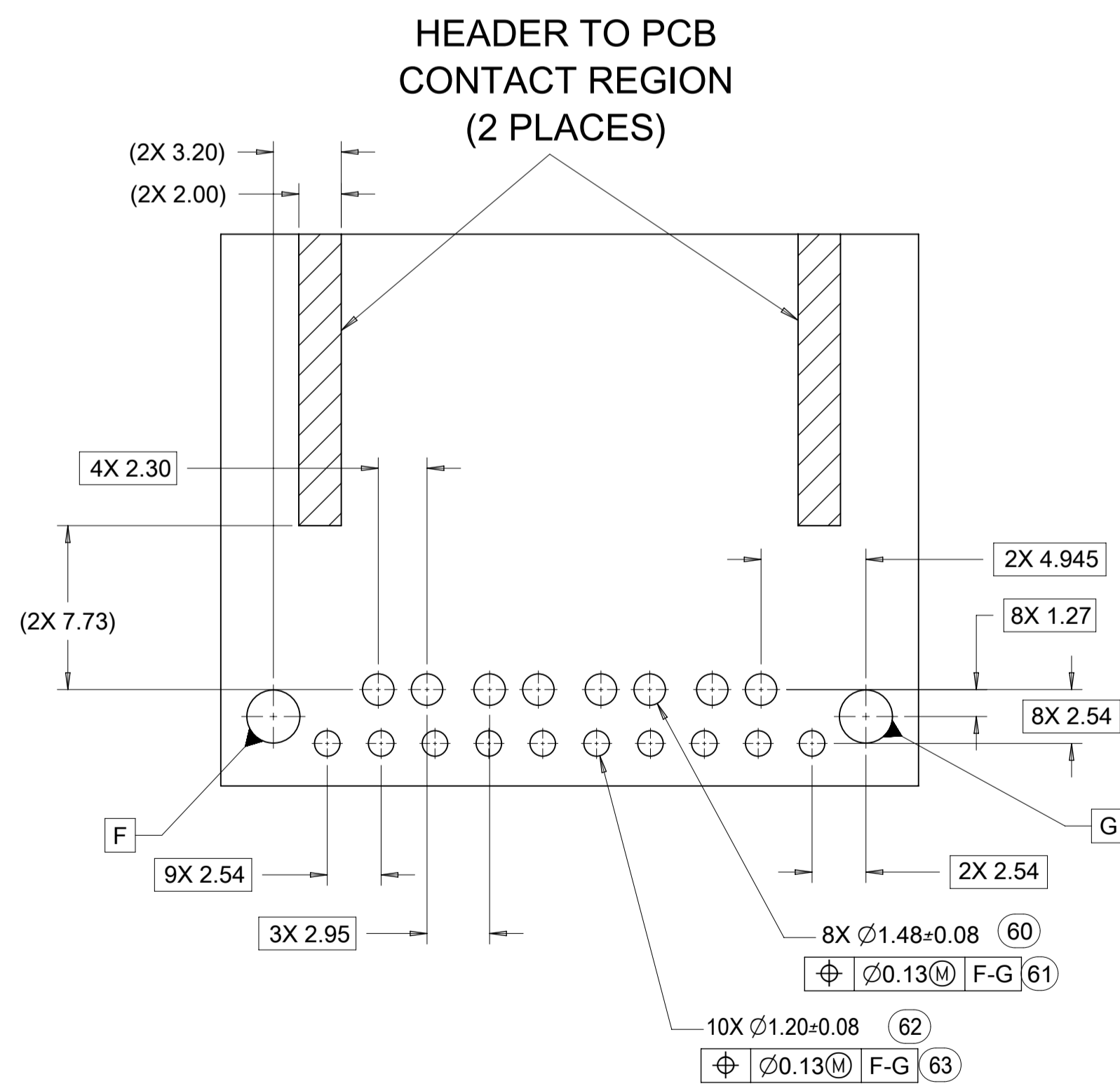
### 10 CKT HYBRID TEMPLATE PCB LAYOUT



### 8-20CKT 0.64mm TEMPLATE PCB LAYOUT



### 14 CKT HYBRID TEMPLATE PCB LAYOUT



|   |   |  |              |                        |                 |  |                |              |  |  |  |
|---|---|--|--------------|------------------------|-----------------|--|----------------|--------------|--|--|--|
| THIS DRAWING CONTAINS INFORMATION THAT IS PROPRIETARY TO MOLEX ELECTRONIC TECHNOLOGIES, LLC AND SHOULD NOT BE USED WITHOUT WRITTEN PERMISSION |   |  |              |                        |                 |  |                |              |  |  |  |
| QUALITY SYMBOLS   | EC NO: 612618<br>DRWN: SHANDITHAVAL<br>CHKD: RBAUMAN<br>APPR: RBAUMAN | GENERAL TOLERANCES (UNLESS SPECIFIED)                |              | DIMENSION UNITS        | SCALE           |  |                |              |  |  |  |
|   |   | ANGULAR TOL ± 1.0 °                                  |              | mm                     | 4:1             |  |                |              |  |  |  |
| FA = 0  | C8<br>REV:  | 4 PLACES ±   | DRWN BY      | DATE                   |                 | STAC64 4-BAY PAP R/A<br>LONG PIN HEADER ASSEMBLY SALES DRAWING<br>PRODUCT CUSTOMER DRAWING |                |              |  |  |  |
| FE = 0  |   | 3 PLACES ±   | JFISCHER01   | 2013/05/31             |                 |  |                |              |  |  |  |
| FF = 0  |   | 2 PLACES ± 0.13                                      | CHK'D BY     | DATE                   |                 |  |                |              |  |  |  |
| FD = 0  |   | 1 PLACE ± 0.25                                       | RBAUMAN      | 2013/06/04             |                 |  |                |              |  |  |  |
| FC = 0  |   | 0 PLACES ±   | APPR BY      | DATE                   |                 |  |                |              |  |  |  |
| FD = 0  |   | DRAFT WHERE APPLICABLE MUST REMAIN WITHIN DIMENSIONS | DRAWING SIZE | THIRD ANGLE PROJECTION |                 |  |                |              |  |  |  |
| FA = 0  |   | A1   |              |                        | SERIES          | MATERIAL NUMBER  | CUSTOMER       |              |  |  |  |
| FB = 0  |   |  |              |                        | 34997           | SEE CHART  | GENERAL MARKET |              |  |  |  |
| FC = 0  |   |  |              |                        | DOCUMENT NUMBER | DOC TYPE   | DOC PART       | SHEET NUMBER |  |  |  |
| FD = 0  |   |  |              |                        | SD-34997-400    | PSD  | 001            | 5 OF 5       |  |  |  |