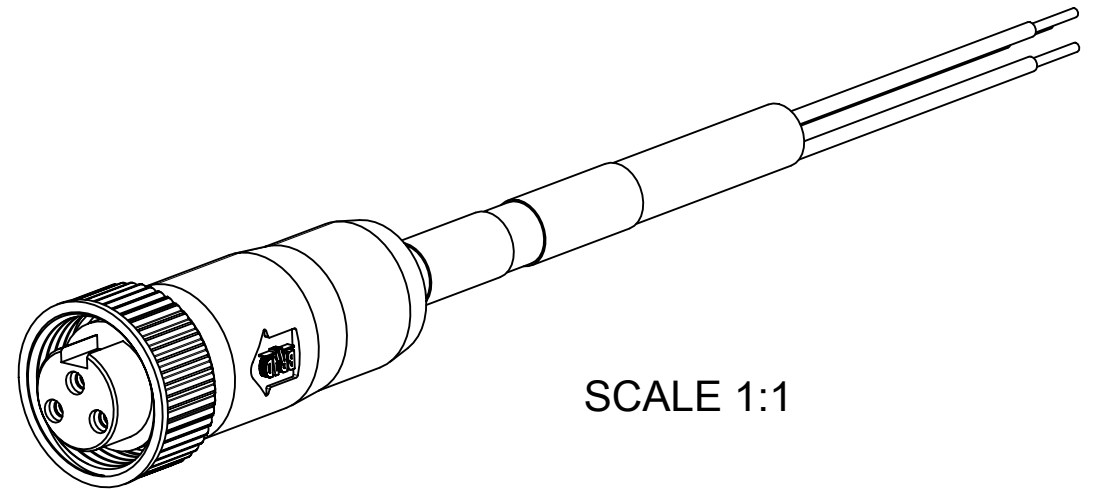
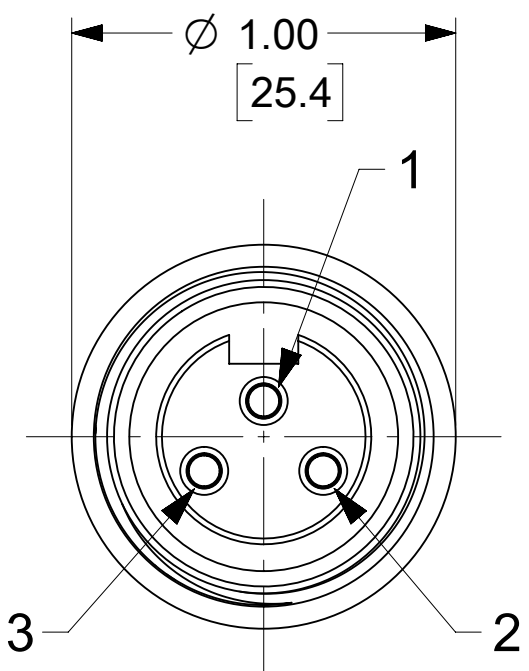


MATERIAL NO.	ENGINEERING NO.	FINISHED LENGTH
1300611029	103000K20M010E	3 FT 3 IN (1M)
1300611096	103000K20M050G	16 FT 4.9 IN (5M)
1300611033	103000K20M200E	65 FT 6 IN (20M)

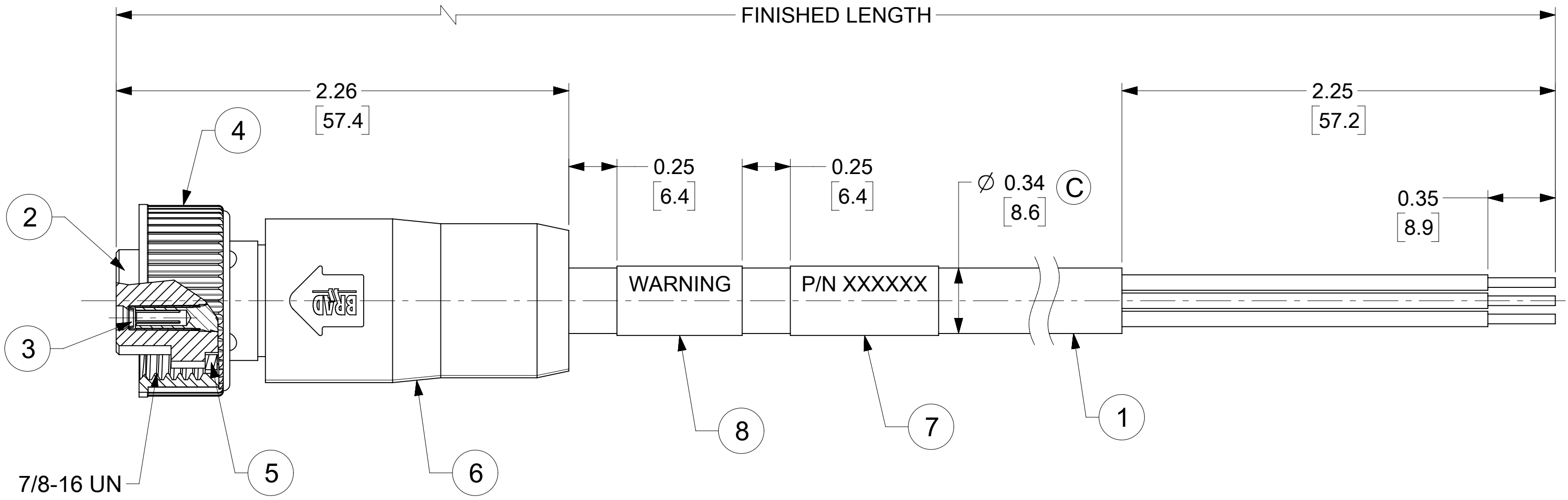
**CABLE LENGTH TOLERANCES**  
 <.3M [1FT]: +19mm-0 [+ .75in-0]  
 .3 - .9M [1 - 3FT]: +44.5mm-0 [+1.75in-0]  
 .9 - 1.8M [3 - 6FT]: +55.6mm-0 [+2.19in-0]  
 1.8 - 3.7M [6 - 12FT]: +88.9mm-0 [+3.50in-0]  
 3.7 - 7.3M [12 - 24FT]: +165.1mm-0 [+6.50in-0]  
 7.3-14.6M [24 - 48FT]: +317.5mm-0 [+12.50in-0]  
 14.6 - 30.5M [48-100FT]: +622.3mm-0 [+24.50in-0]  
 OVER 30M [100FT] +2% OF FINISHED LENGTH



SCALE 1:1



FEMALE FACE VIEW



- NOTES:**
- MATERIAL: AS NOTED
  - FINISH: AS NOTED
  - ELECTRICAL:  
 VOLTAGE: 500V PER IEC60664  
 600V PER UL2237  
 CURRENT: 15A
  - TEMP RATING: -20°C TO +90°C
  - PROTECTION: IP67 (WHEN MATED)
  - UL LISTED FILE: 258922
  - ALL DIMS ARE FOR REFERENCE UNLESS TOLERANCED OR NOTED OTHERWISE

**WIRING DIAGRAM**

S1	
1	GREEN/YELLOW
2	BLACK
3	WHITE

**PART NUMBER LEGEND**

103000K20M010E

OVERMOLD  
 E=RED  
 G=BLACK  
 FINISHED LENGTH  
 M001 = 0.1 METER  
 M010 = 1 METERS  
 M100 = 10 METERS

8	WARNING LABEL	VINYL	BLACK/ORANGE
7	WRAP LABEL	VINYL	BLACK/YELLOW
6	OVERMOLD	TPE	BLACK
5	FRICITION RING	NYLON	WHITE
4	COUPLING NUT	ZINC DIE-CAST	BLACK E-COAT
3	SOCKET CONTACT	Cu ALLOY	GOLD PLATED
2	FEMALE INSERT	TPE	BLACK
1	CABLE, 14 AWG TC-ER	TPE	BLACK
ITEM	DESCRIPTION	MATERIAL	FINISH

FUNCTIONAL SYMBOLS										THIS DRAWING CONTAINS INFORMATION THAT IS PROPRIETARY TO MOLEX ELECTRONIC TECHNOLOGIES, LLC AND SHOULD NOT BE USED WITHOUT WRITTEN PERMISSION														
DIMENSION UNITS					SCALE					CURRENT REV DESC: ITEM #2 & 6 WERE PVC, MODIFIED MATERIAL TABLE & ADDED CABLE DIA.														
INCH/MM					2:1					<p><b>molex</b></p> <p>BRAD POWER CORDSET, A SIZE          3 POLE, FEMALE, STRAIGHT, SINGLE KEY, 14 AWG</p> <p>PRODUCT CUSTOMER DRAWING</p> <p>DOCUMENT NUMBER: <b>SD-130061-032</b>   DOC TYPE: PSD   DOC PART: 001   REVISION: C</p> <p>MATERIAL NUMBER: SEE TABLE   CUSTOMER: GENERAL MARKET   SHEET NUMBER: 1 OF 1</p>														
GENERAL TOLERANCES (UNLESS SPECIFIED)																								
4 PLACES ±					MM															INCH				
3 PLACES ±					2 PLACES ±															1 PLACE ±				
DIVISIONAL SYMBOLS										EC NO: 709714														
2 PLACES ±										DRWN: VHANDI 2020/05/13														
1 PLACE ±										CHK'D: RSTONE 2022/06/08														
0 PLACES ±										APPR: BWOODMAN 2022/06/14														
ANGULAR TOL ± °										INITIAL REVISION:														
DRAFT WHERE APPLICABLE MUST REMAIN WITHIN DIMENSIONS										DRWN: RSTONE 2015/11/09														
THIRD ANGLE PROJECTION										APPR: BWOODMAN 2015/12/04														
DRAWING					SERIES					DRAWING: C-SIZE   SERIES: 130061														